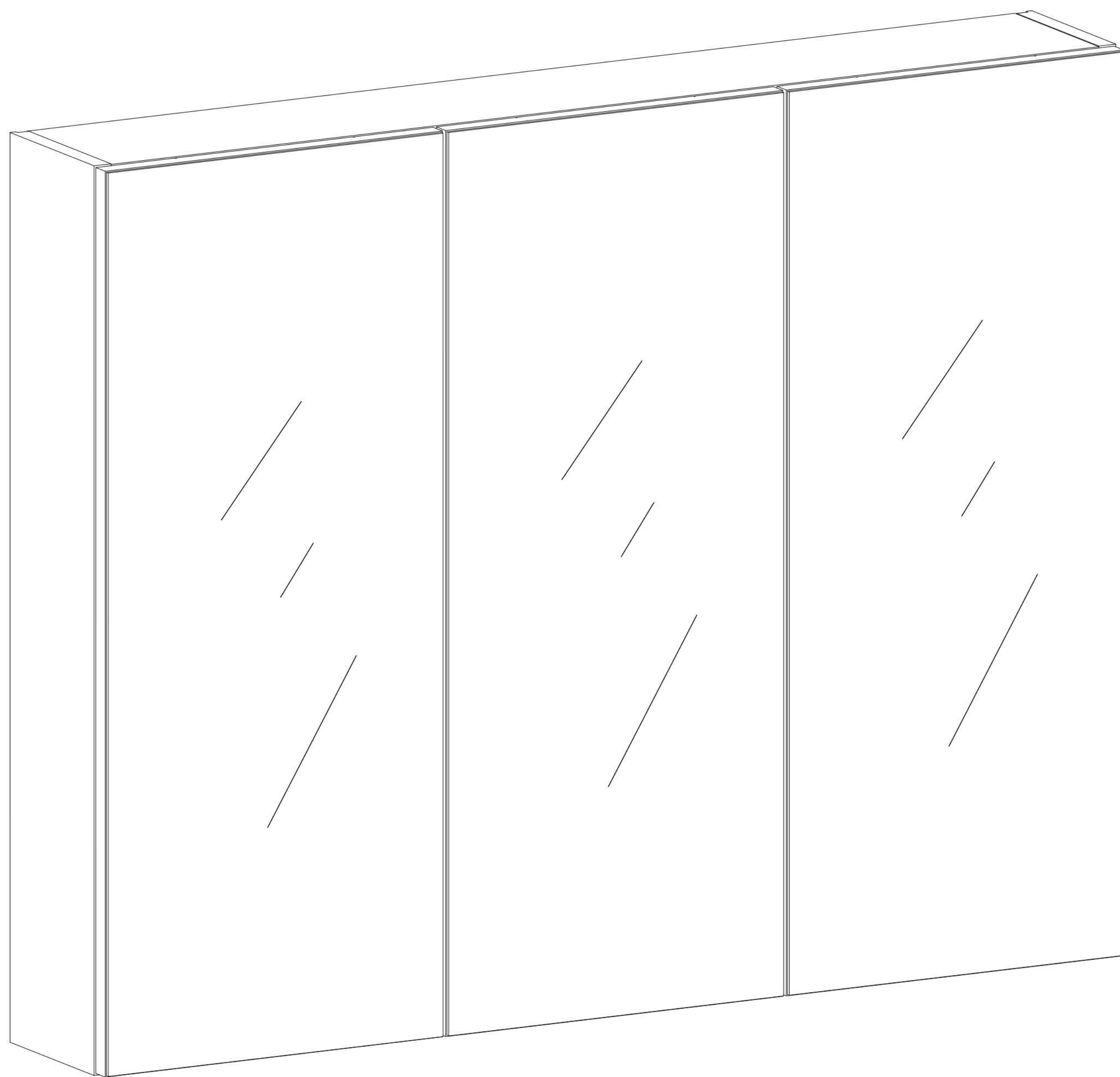


# Bathroom Cabinet

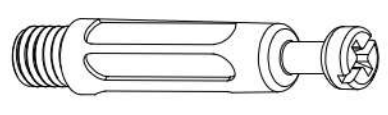
Name: ST-BD-MR90-WH

Size: 900×150×720 mm

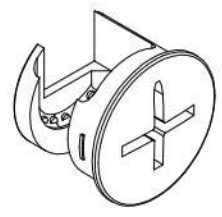


# Hardware

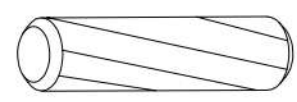
**A** × 14 PCS  
Φ6×40mm



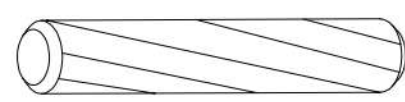
**B** × 14 PCS  
Φ15×11mm



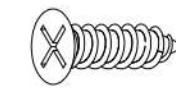
**C** × 10 PCS  
Φ8×40mm



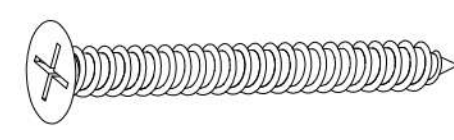
**D** × 2 PCS  
Φ8×60mm



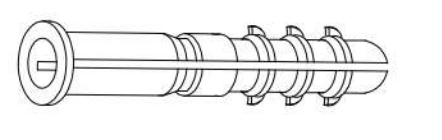
**E** × 36 PCS  
ST3.5\*14



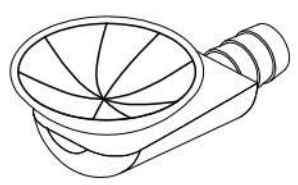
**F** × 6 PCS  
ST4\*80



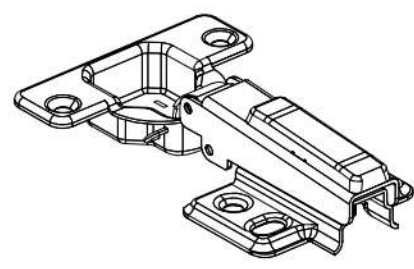
**G** × 6 PCS  
Φ6×60mm



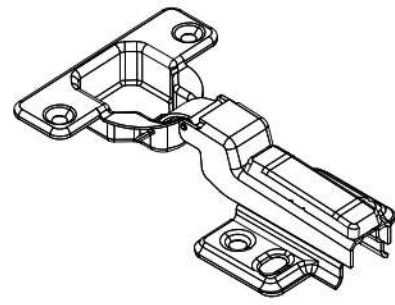
**H** × 16 PCS



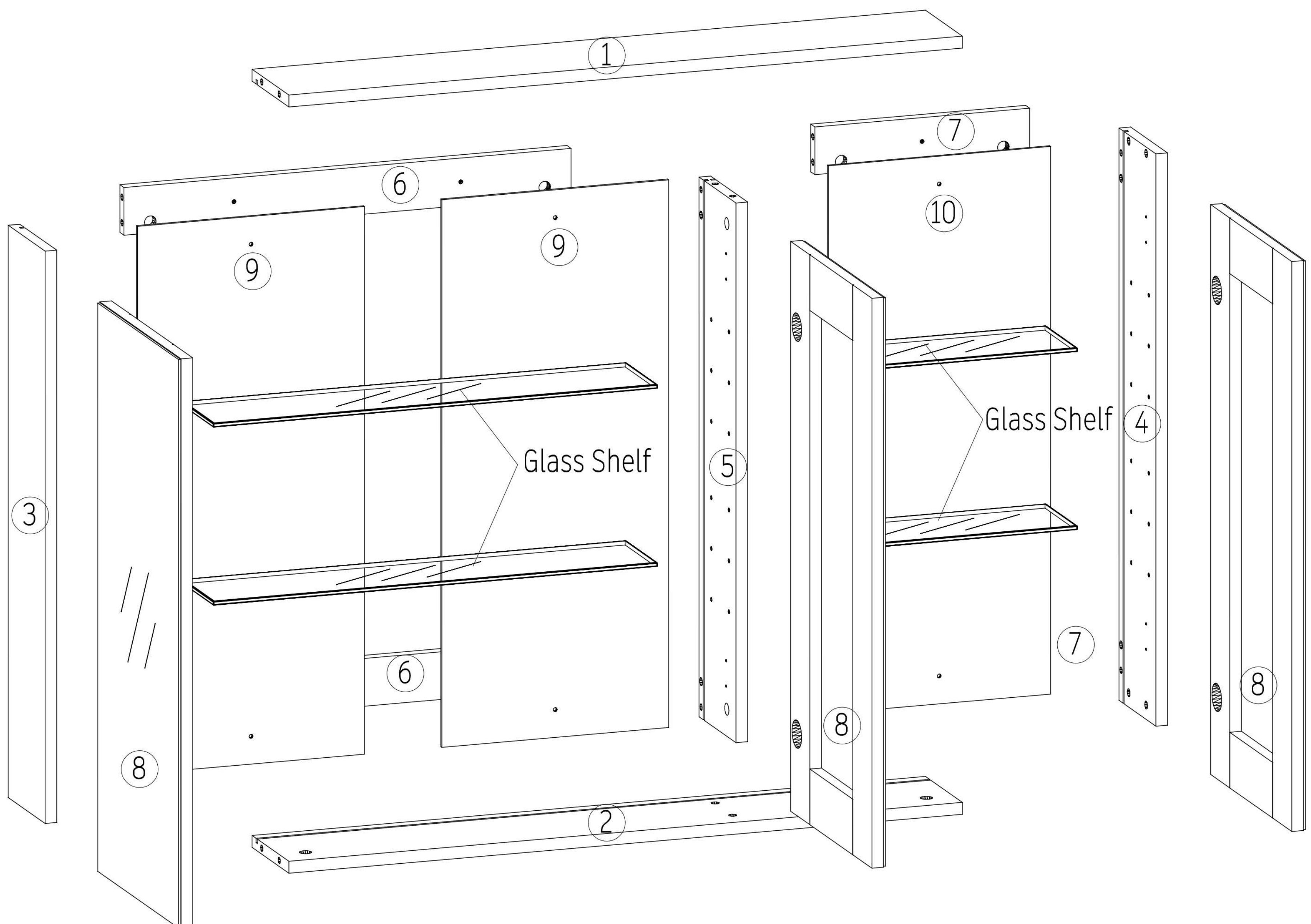
**J** × 4 PCS



**K** × 2 PCS

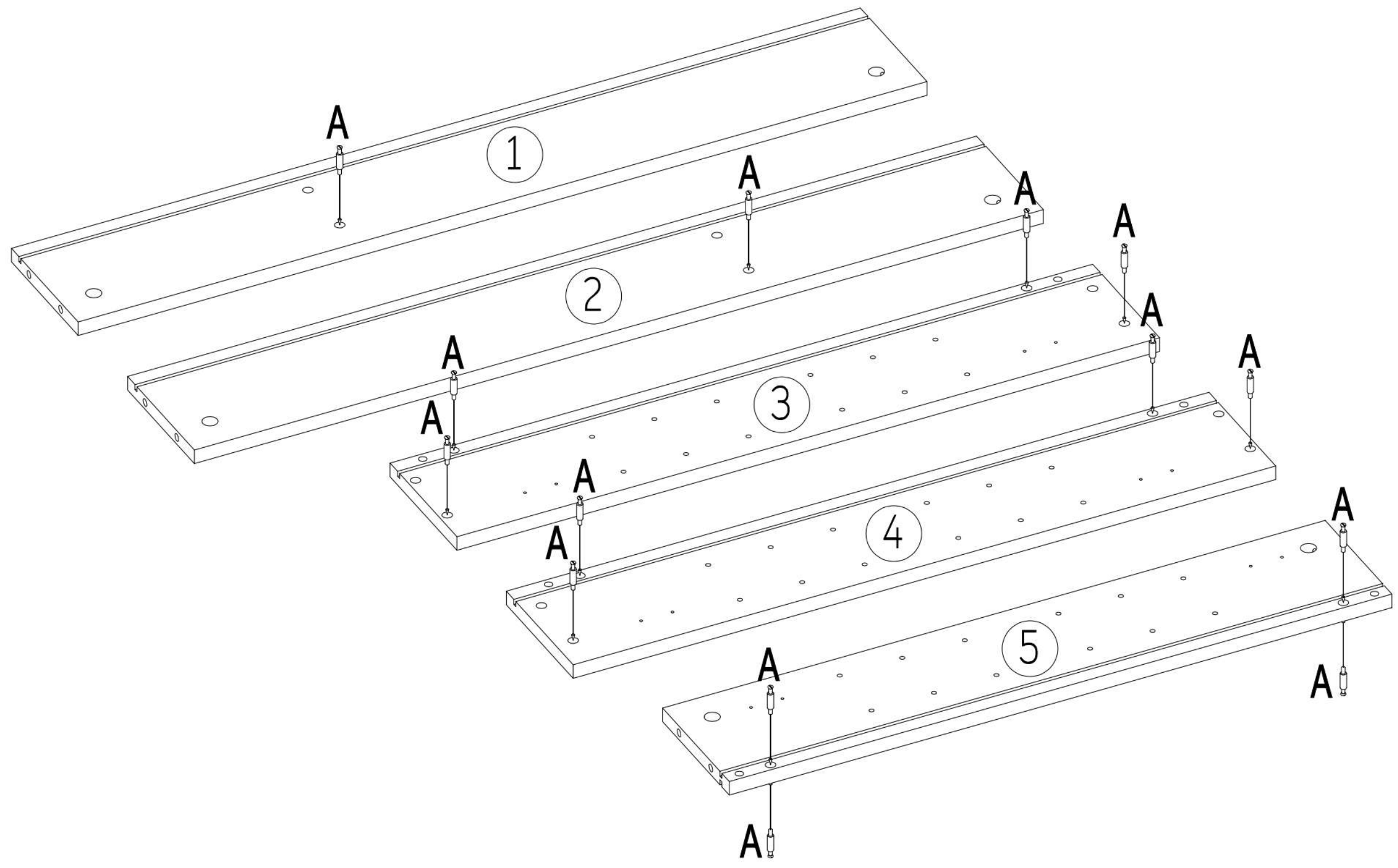


# Exploded view



1

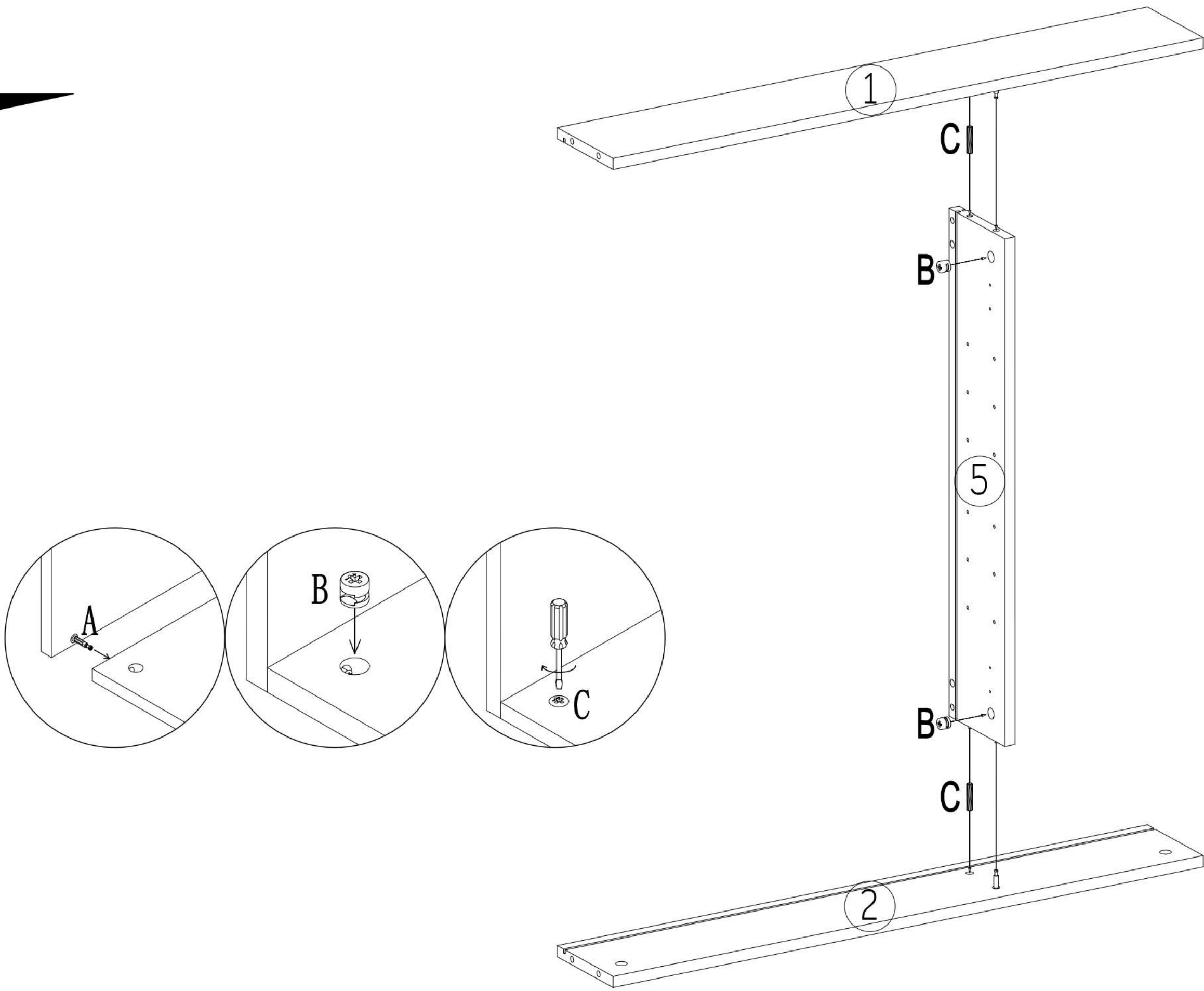
A x 14 PCS



2

B x 2 PCS

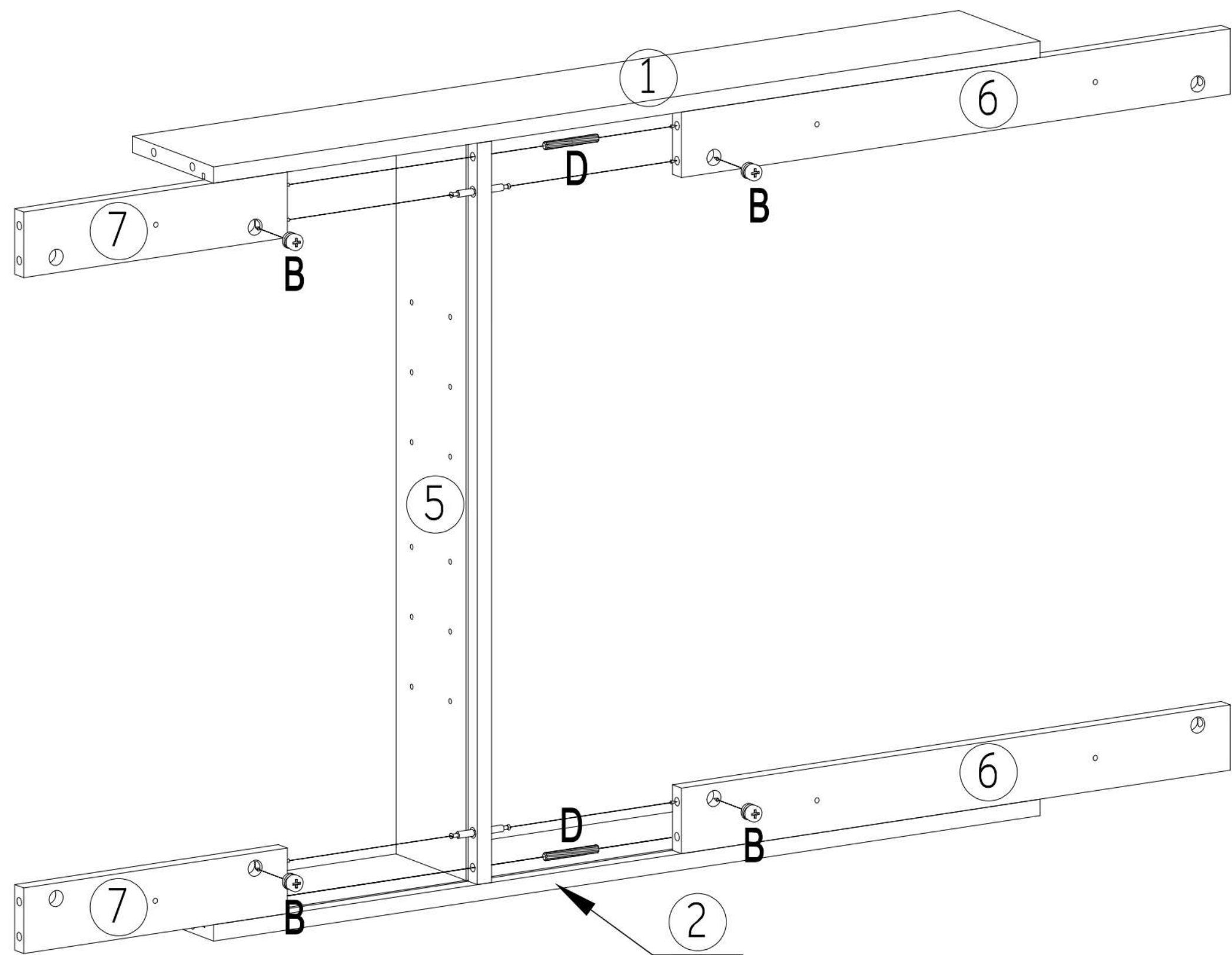
C x 2 PCS



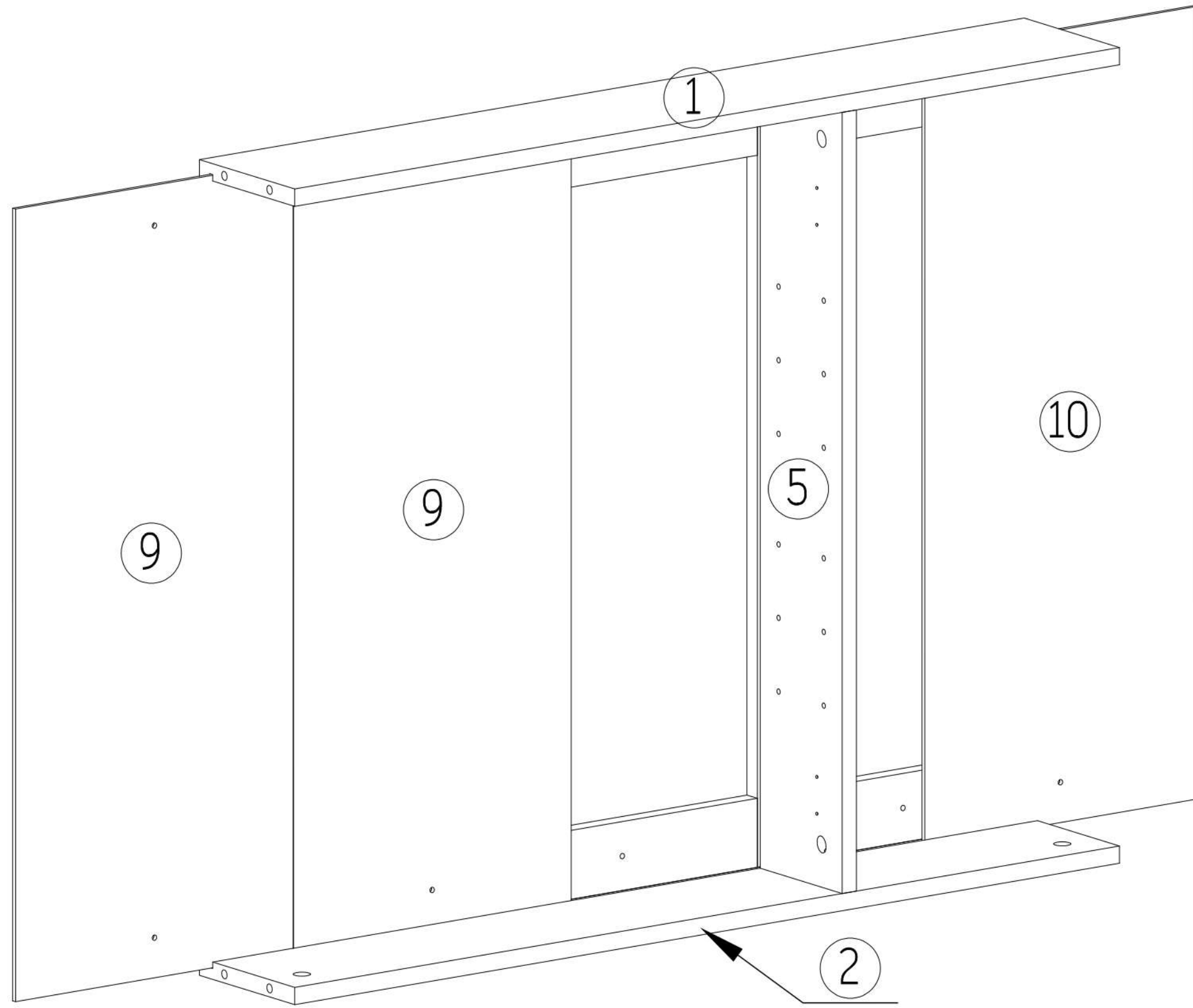
3

B x 4 PCS

D x 2 PCS



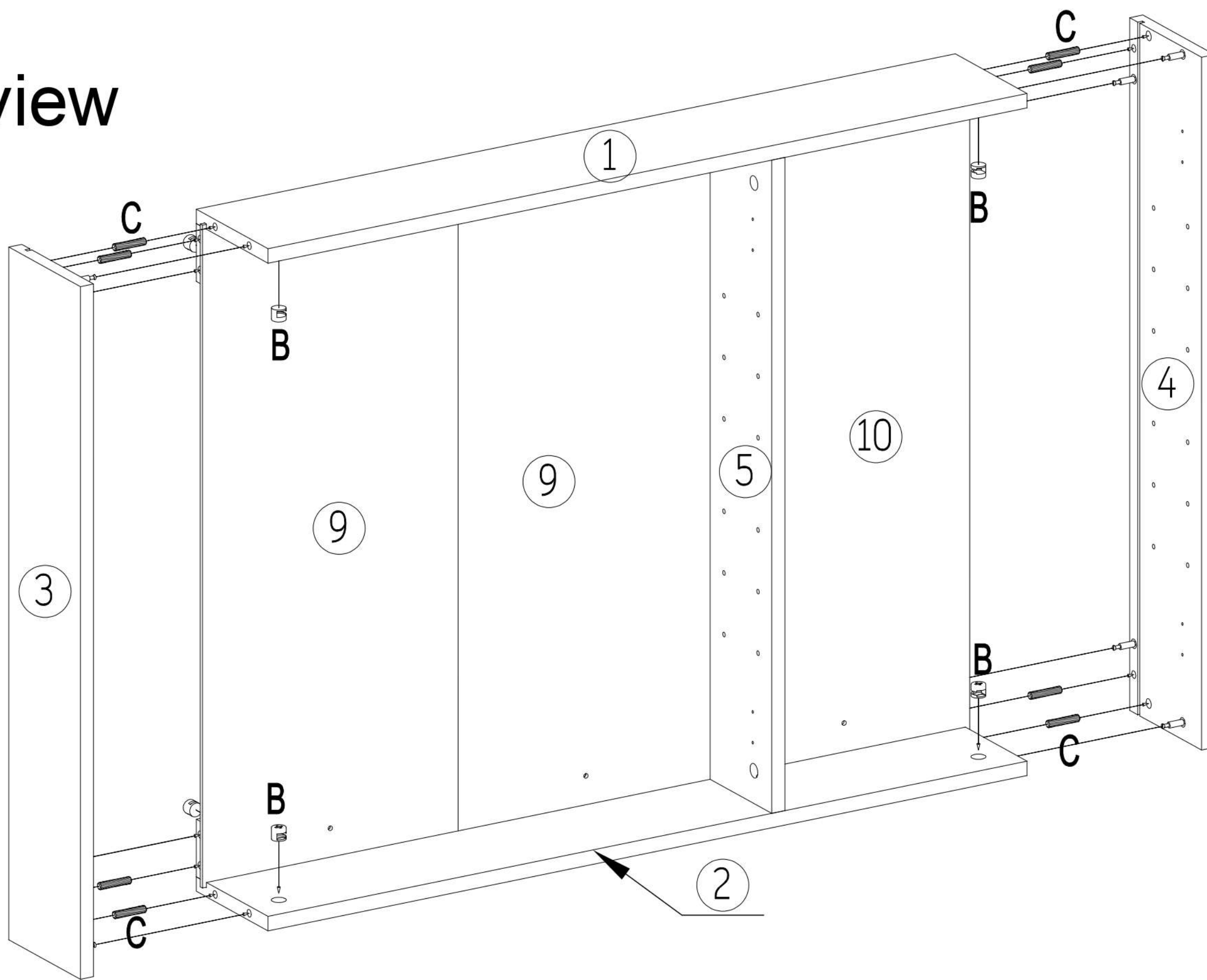
4



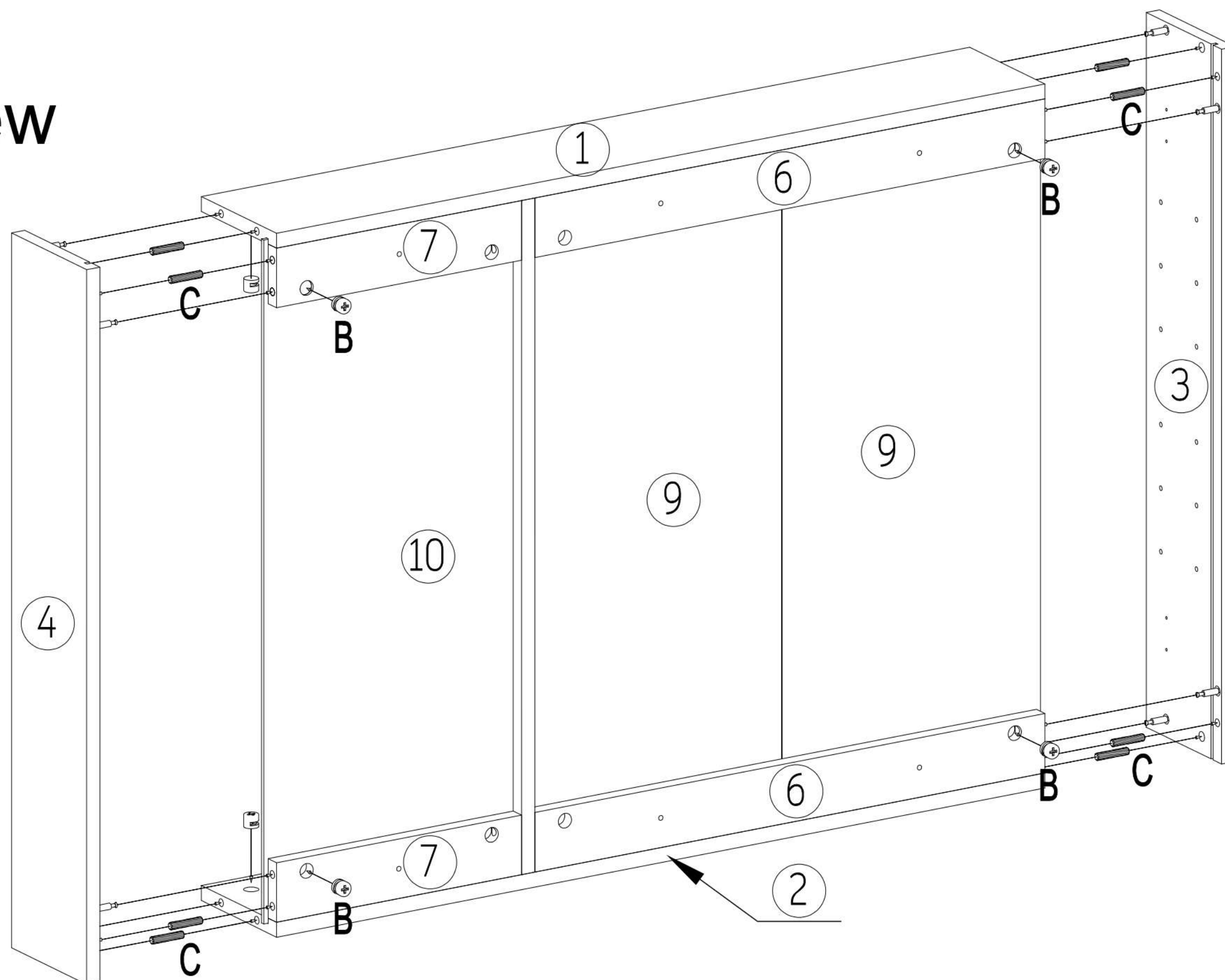
5

Front view

B × 8 PCS  
C × 8 PCS



Back view



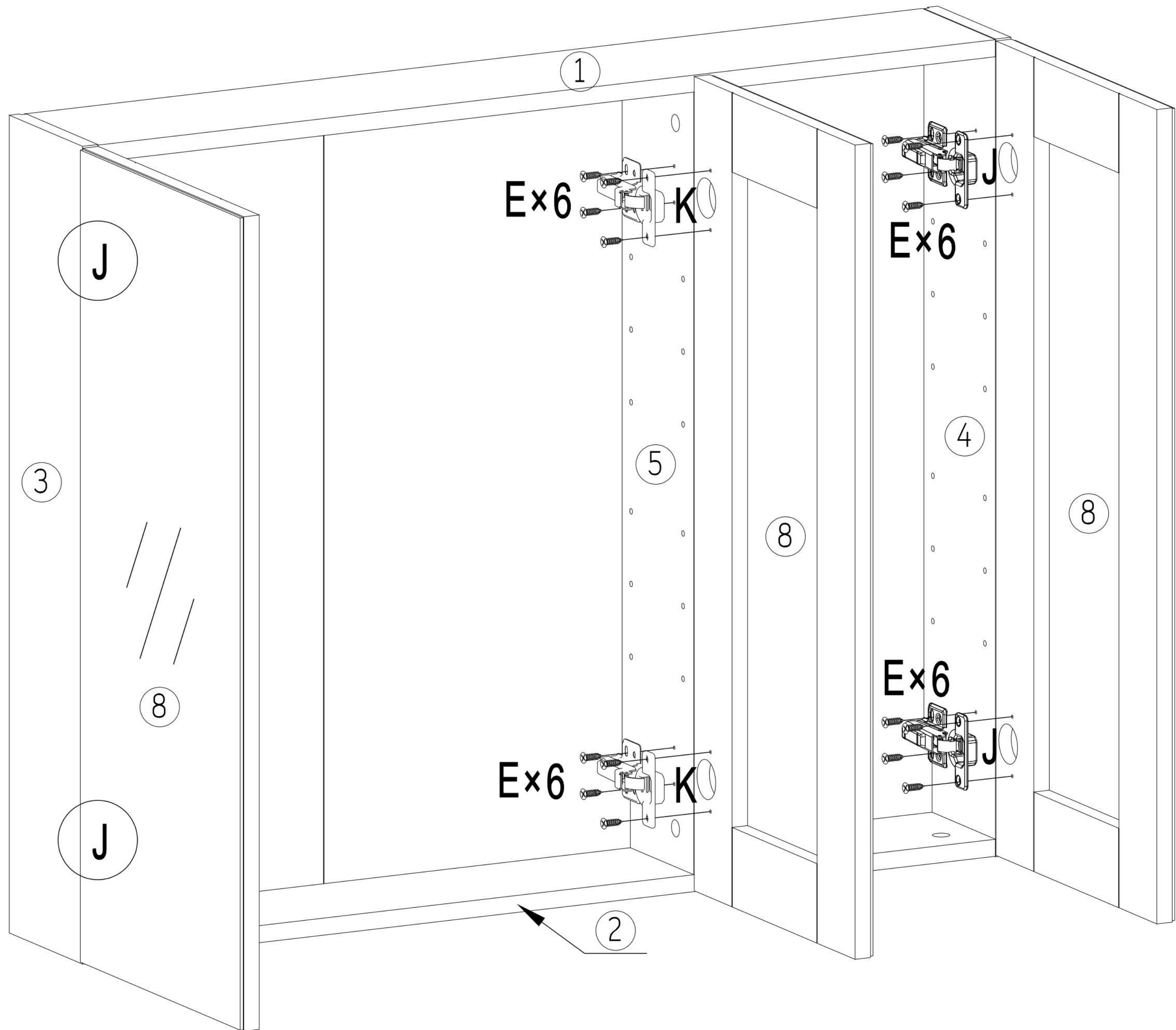


6

E x 36 PCS

J x 4 PCS

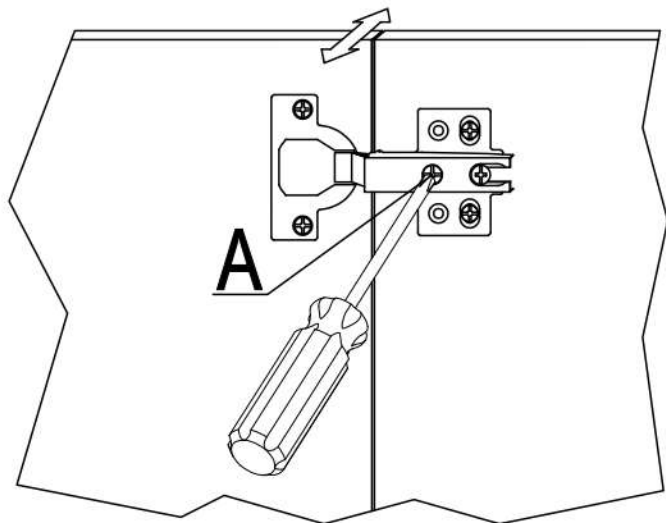
K x 2 PCS



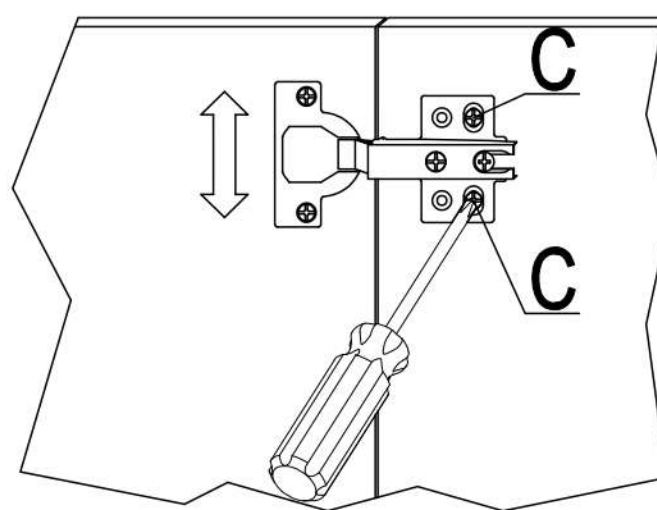
7

## Hinge Adjustment

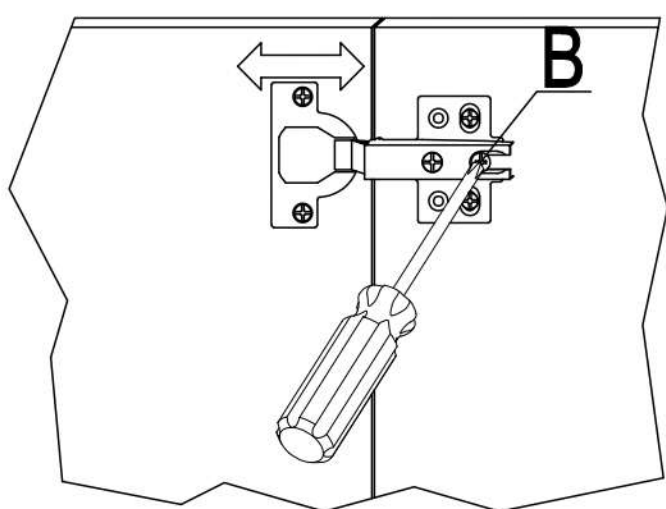
If the doors do not appear square or aligned, loosen or tighten the appropriate screws on each case hinge as illustrated.



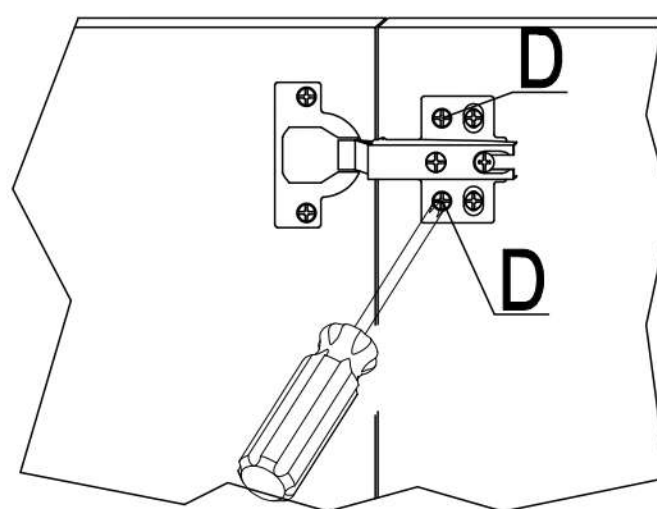
1) Side to side adjustment:  
Adjust the clearance between door and cabinet by turning screw A.



3) Height adjustment:  
Loosen screw C, adjust door height and lock screw C.



2) Depth adjustment:  
Loosen screw B, push hinge arm forwards or backwards, and then lock screw B.

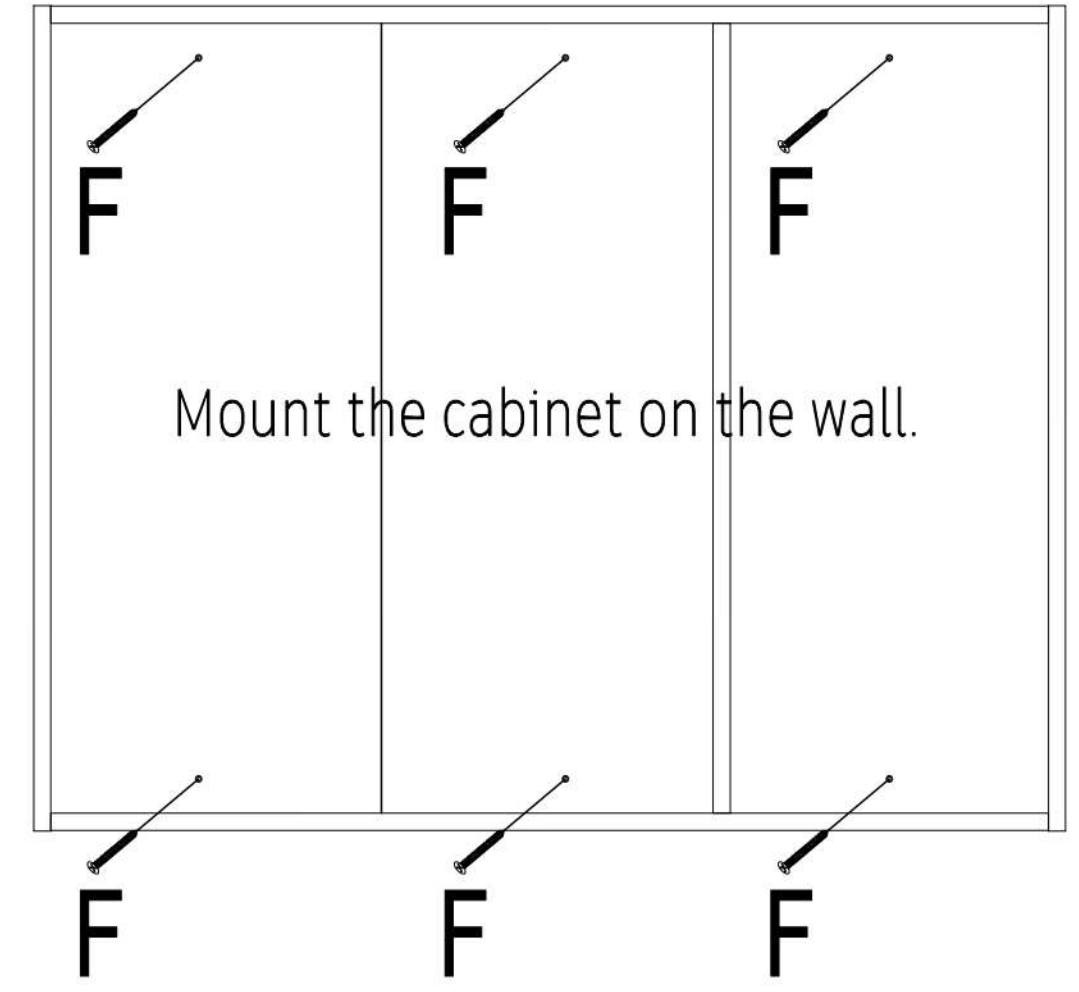
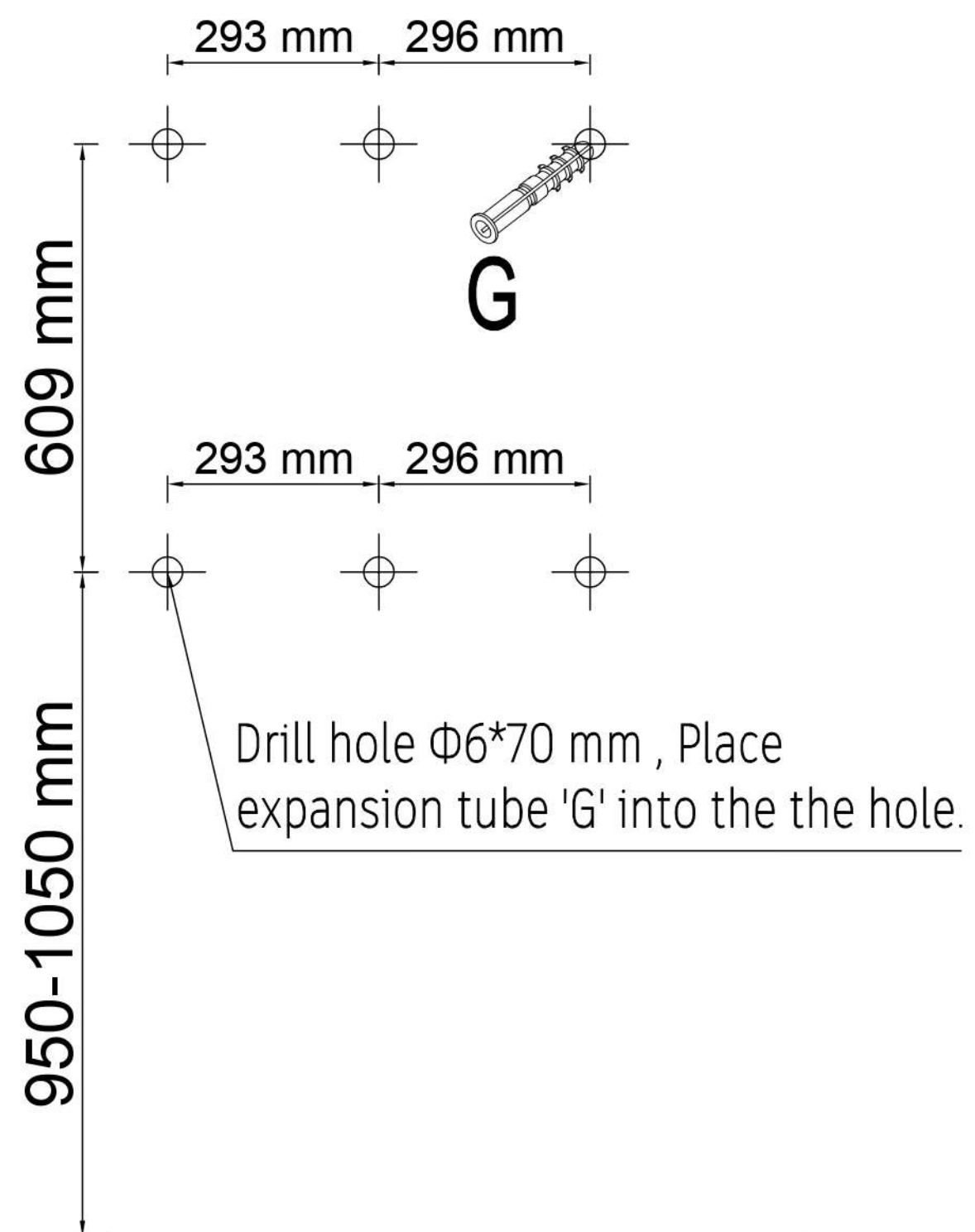


4) Fixed:  
After adjustment, lock screw D. Make the hinge can't move.

8

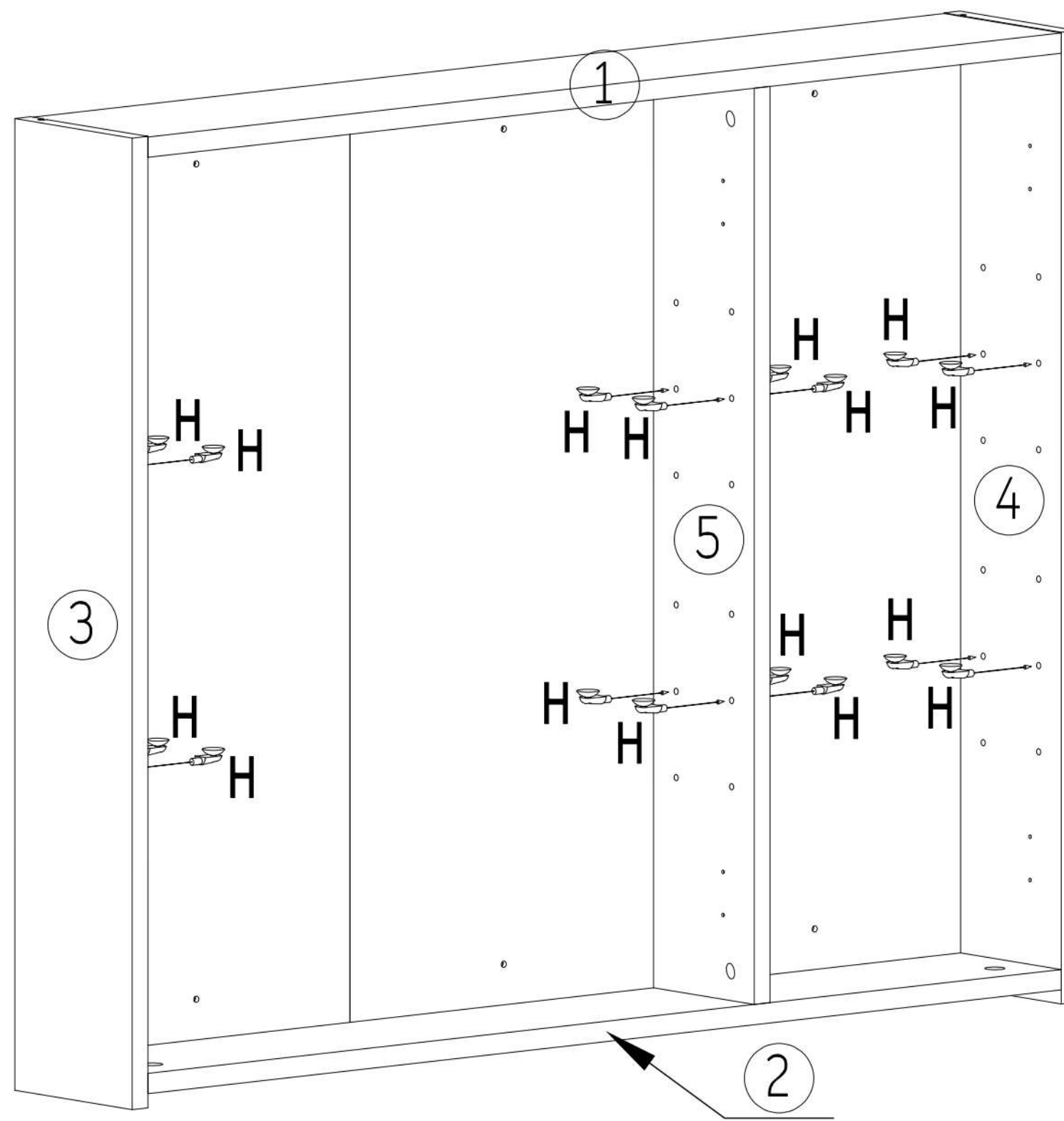
F x 6 PCS

G x 6 PCS

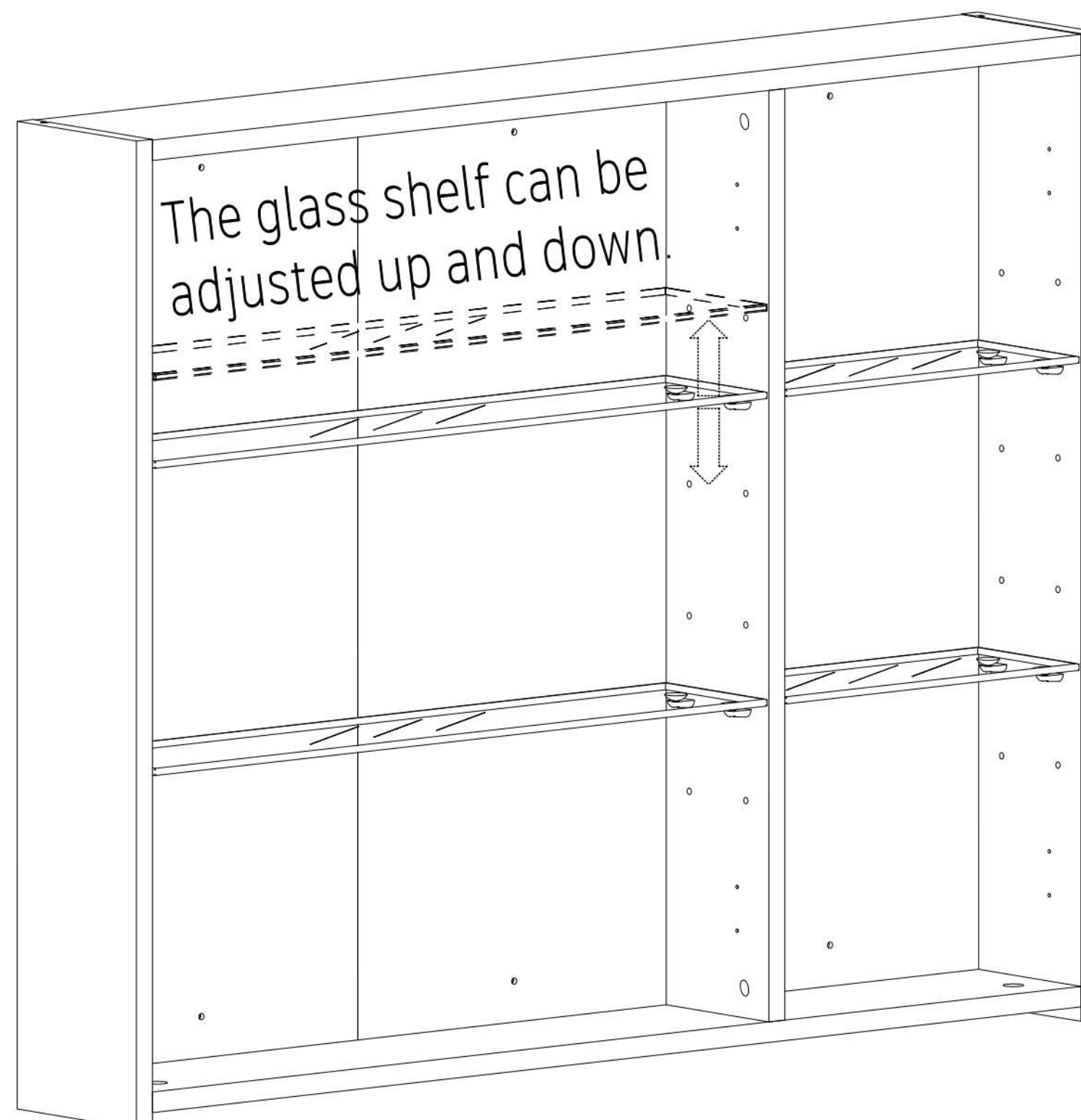


9

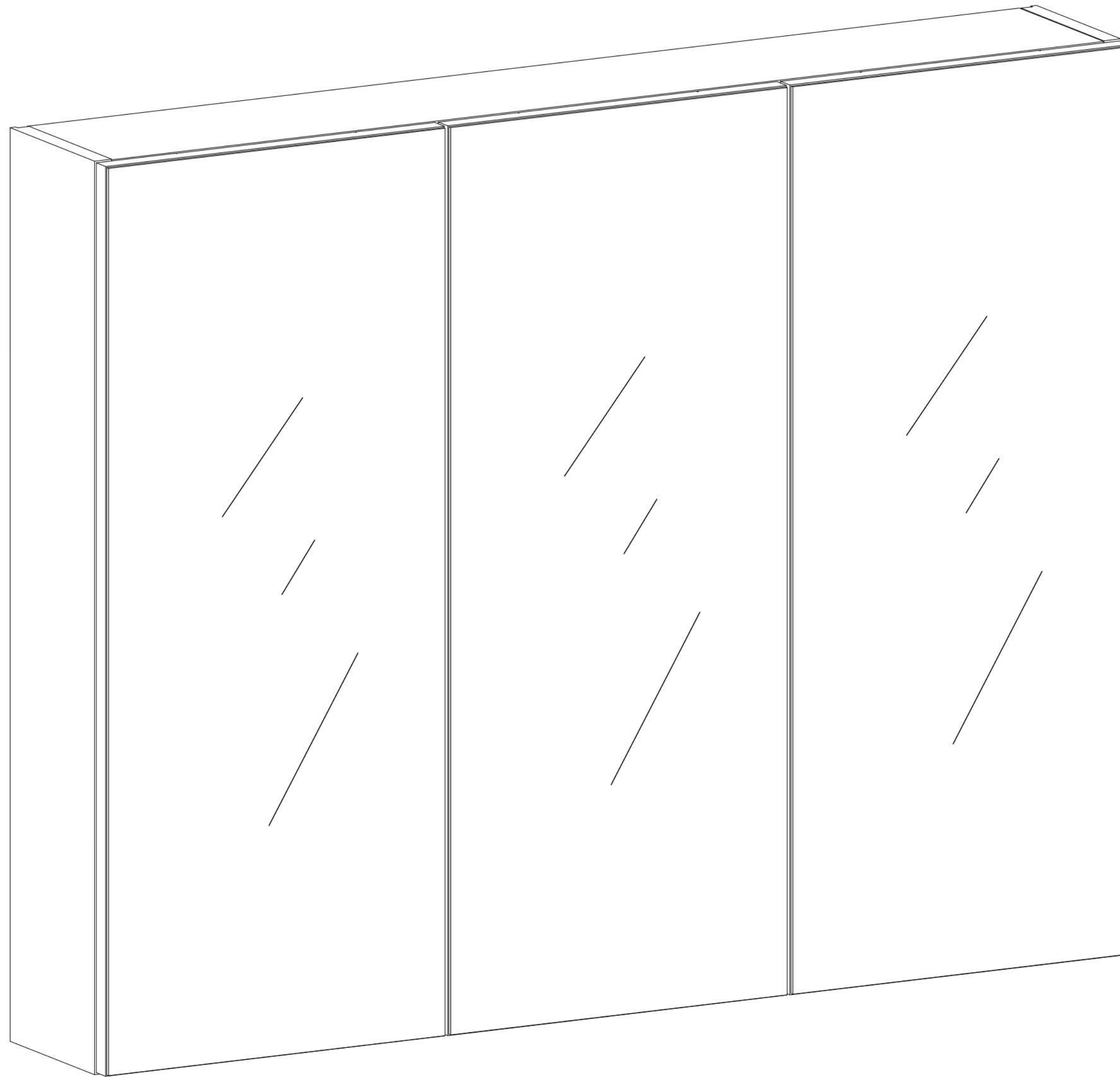
H x 16 PCS





10



1 1



1 2

 <b>WARNING</b>	
	<p>Children have been killed by furniture tip-overs. To reduce the risk of such hazards, please observe the following:</p> <ul style="list-style-type: none"><li>• Always install an anti-tipping device and restraint provided.</li><li>• Never allow children to stand, climb or hang on drawers, doors or shelves.</li><li>• Never open more than one drawer at a time.</li><li>• Place the heaviest items on the lowest shelves or drawers.</li></ul>
