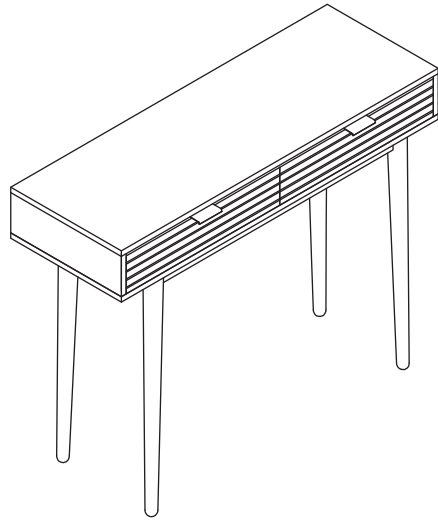




CONSOLE TABLE

MODEL: CST-RUS-WDBK



ASSEMBLY INSTRUCTIONS

Please read instructions carefully before assembly.



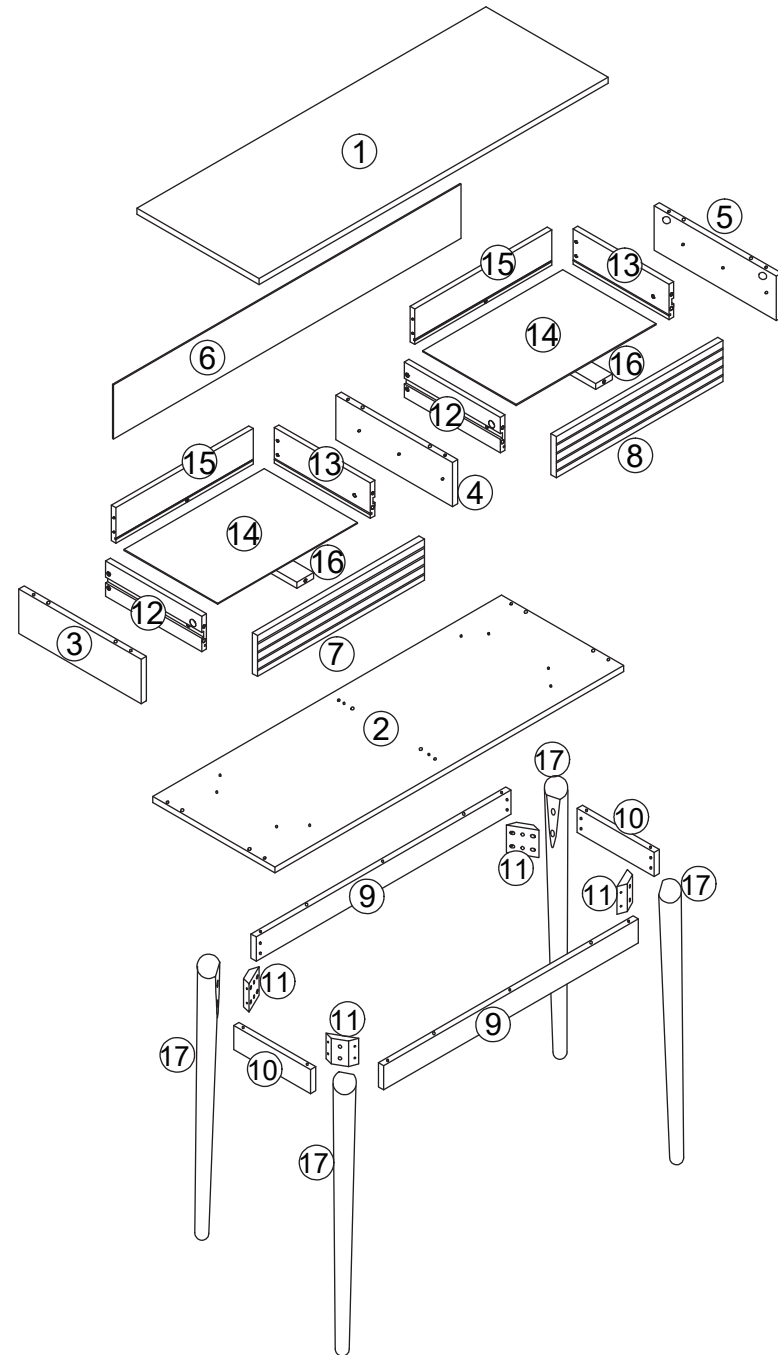
Two persons and tools required for assembly

HARDWARE

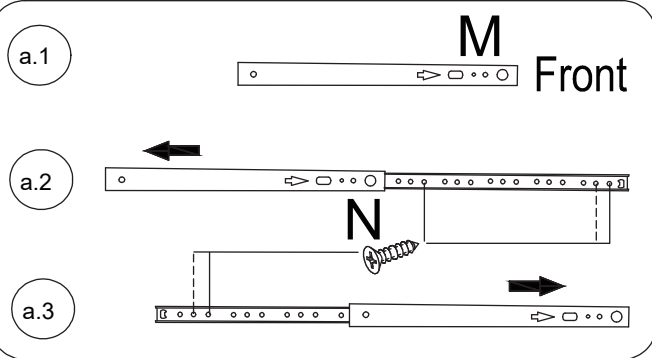
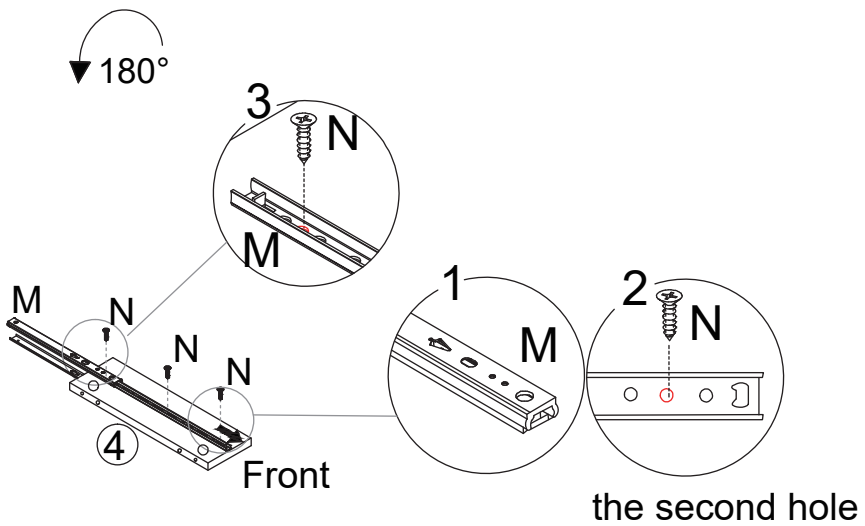
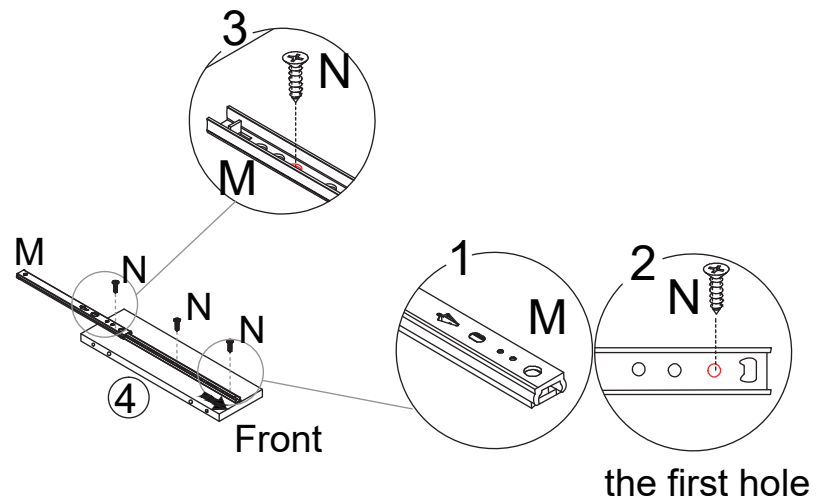
A	x12	B	x8	C	x20	D	x26	E	x16	F	x2
7x35mm	15x12mm	Ø6x30mm	M4x40mm	M4x25mm	M4x30mm						
G	x2	H	x2	I	x1	J	x8	K	x2	L	x4
M4x14mm		4mm	6mm		M3x14mm						
M	x4	N	x16	O	x8	P	x4	Q	x8	R	x2
M3x12mm	M6x60mm	12x10mm	6mm								
S	x4	T	x14	U	x4						
M4x11mm											

PARTS

Wipe with dry cloths

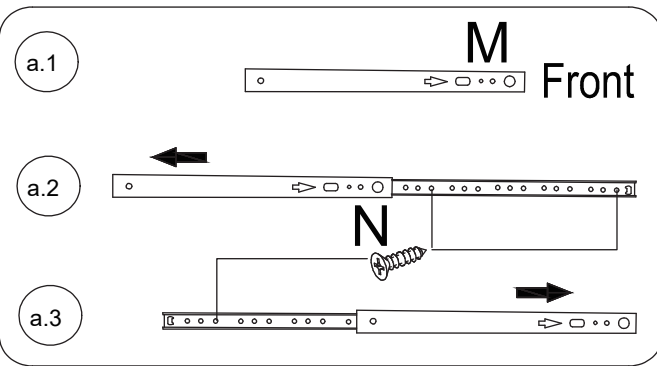
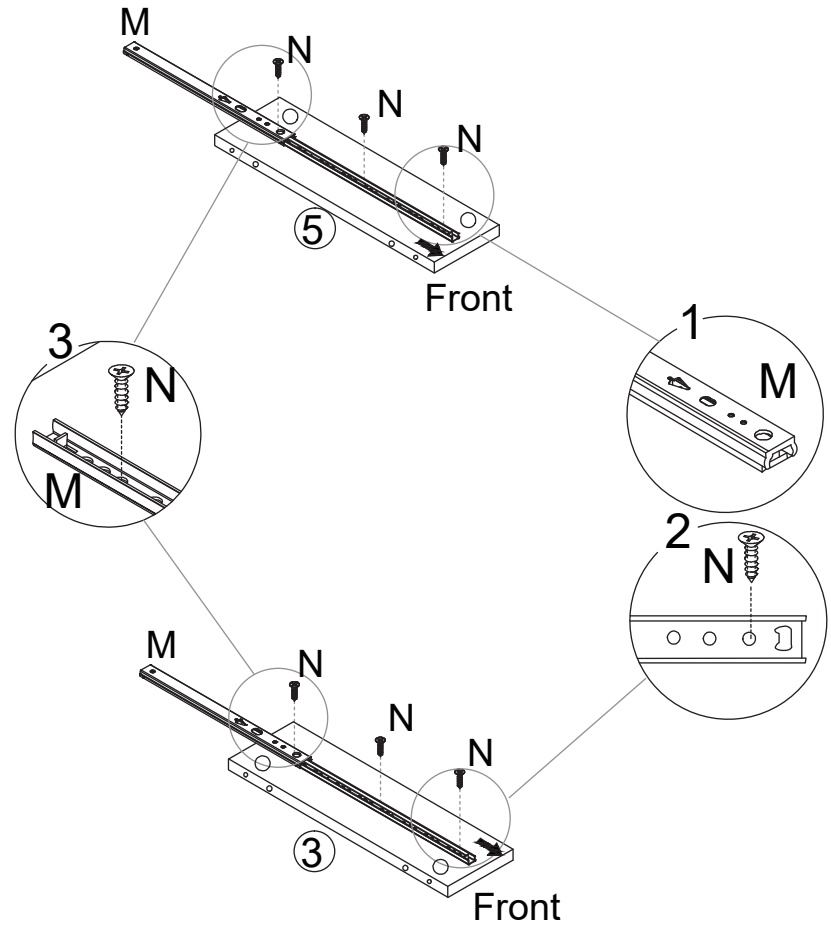


1



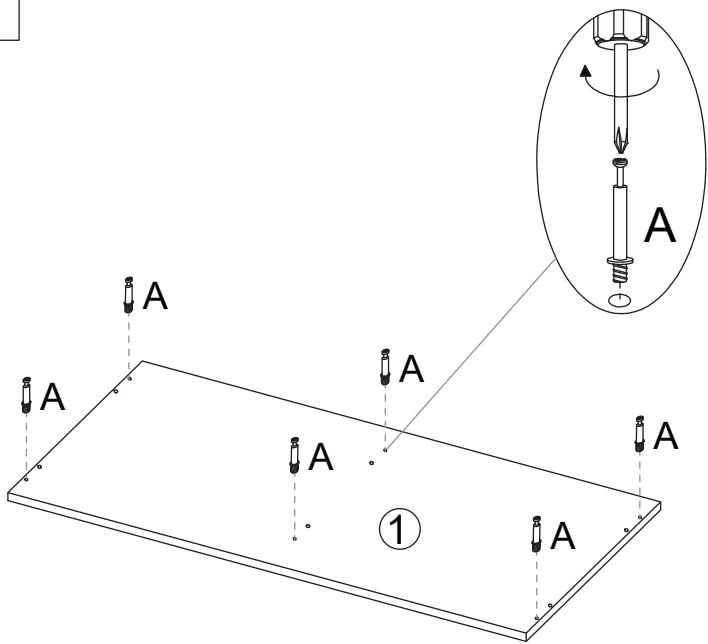
M	x2	N	x6
M3x12mm			


2



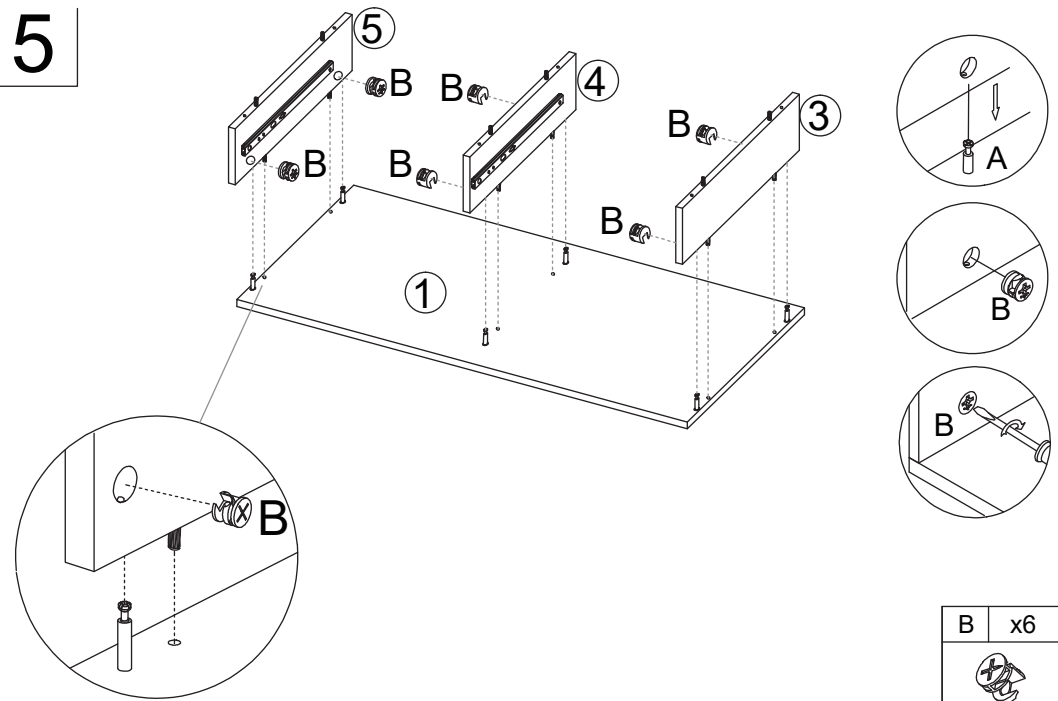
M	x2	N	x6
M3x12mm			


3



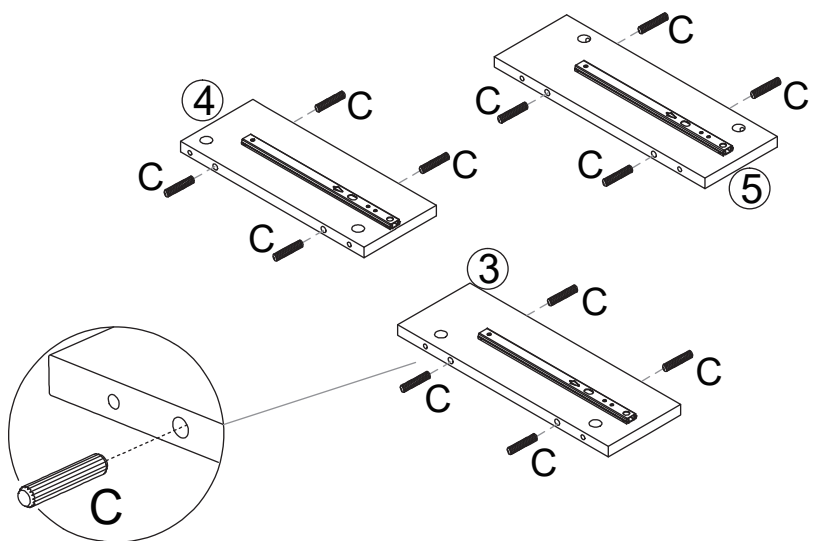
A	x6
	
7x35mm	


5



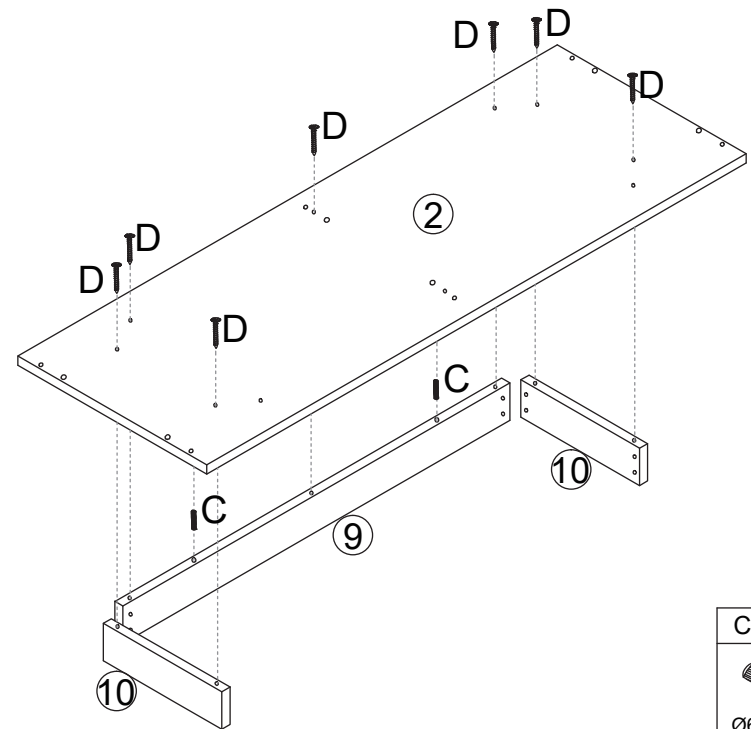
B	x6
	
15x12mm	

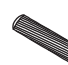

4



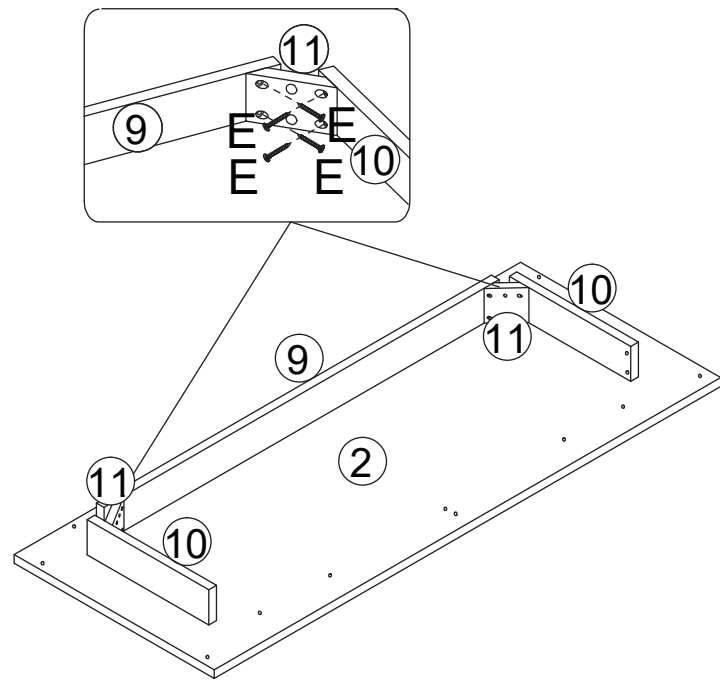
C	x12
	
Ø6x30mm	


6



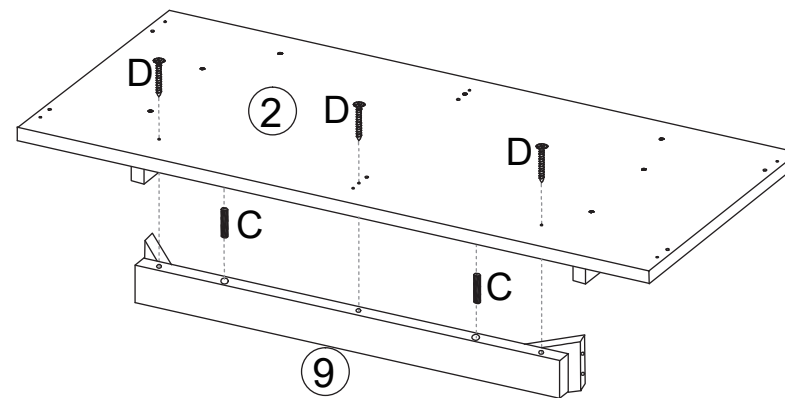
C	x2	D	x7
			
Ø6x30mm		M4x40mm	

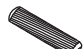

7



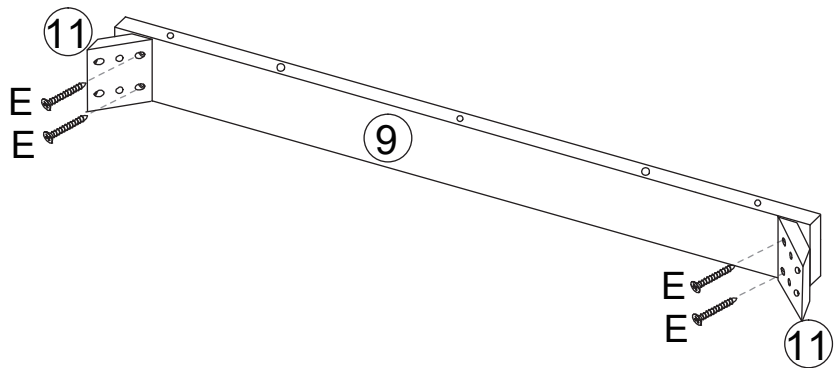
E	x8
	
M4x25mm	


9



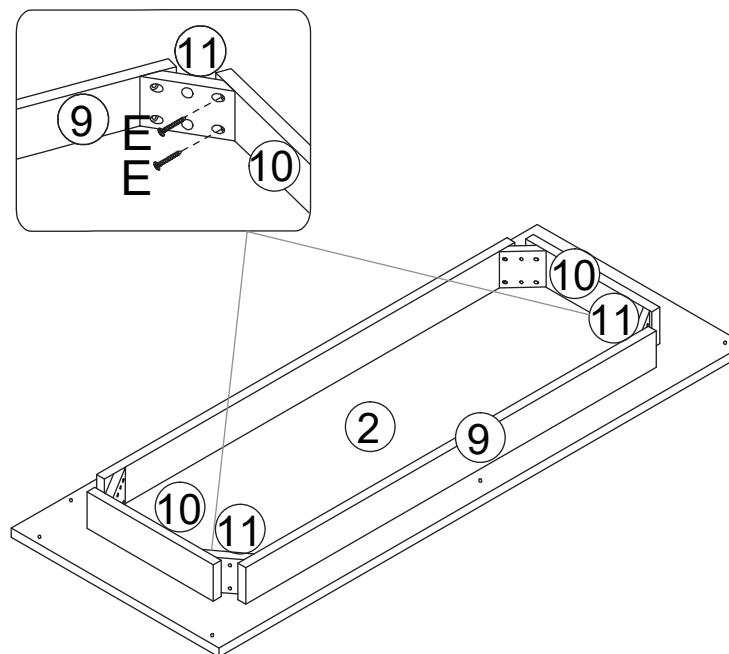
C	x2	D	x3
			
Ø6x30mm		M4x40mm	


8



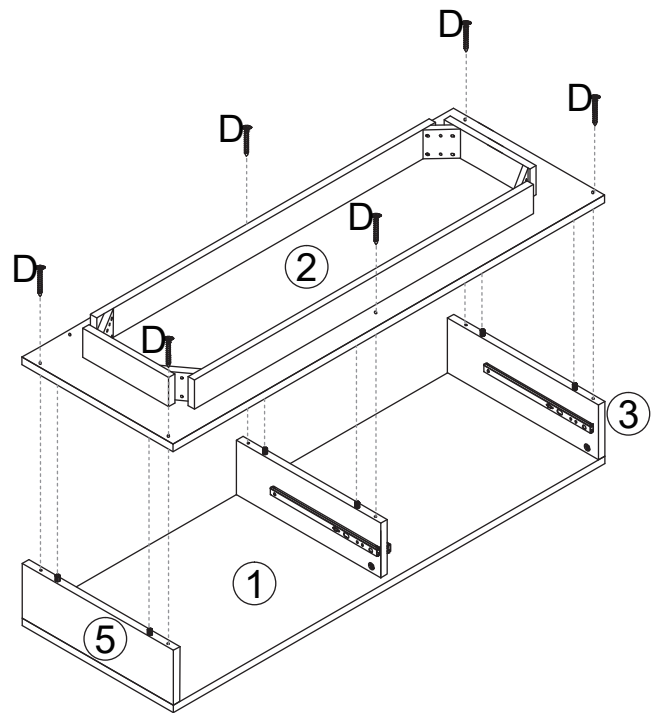
E	x4
	
M4x25mm	


10



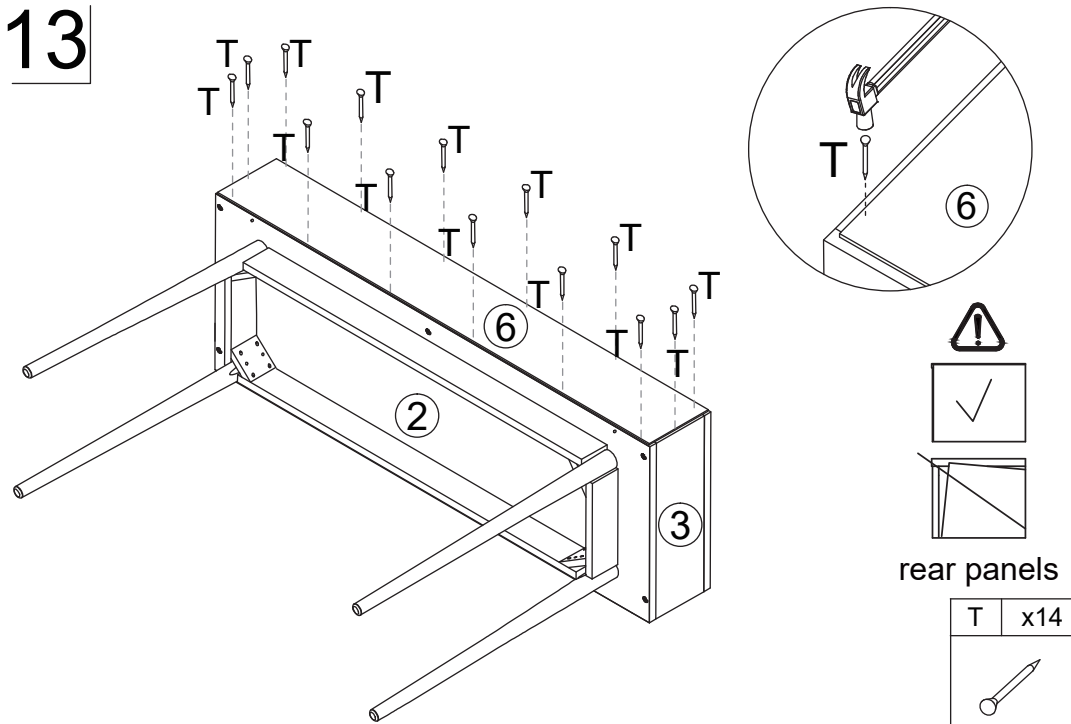
E	x4
	
M4x25mm	


11



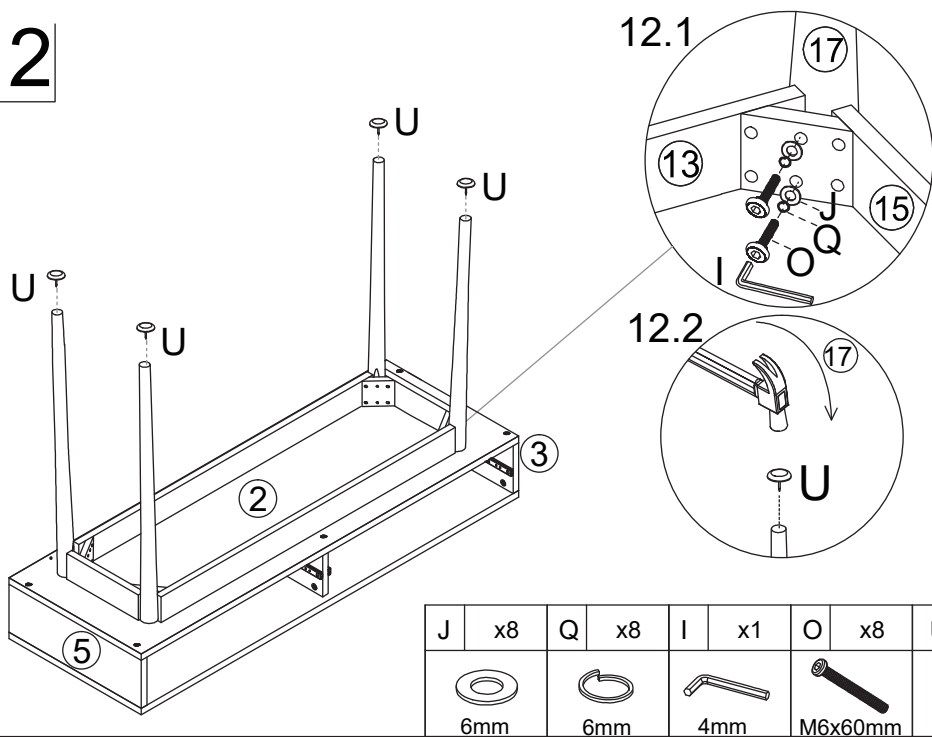
D	x6
	M4x40mm






13



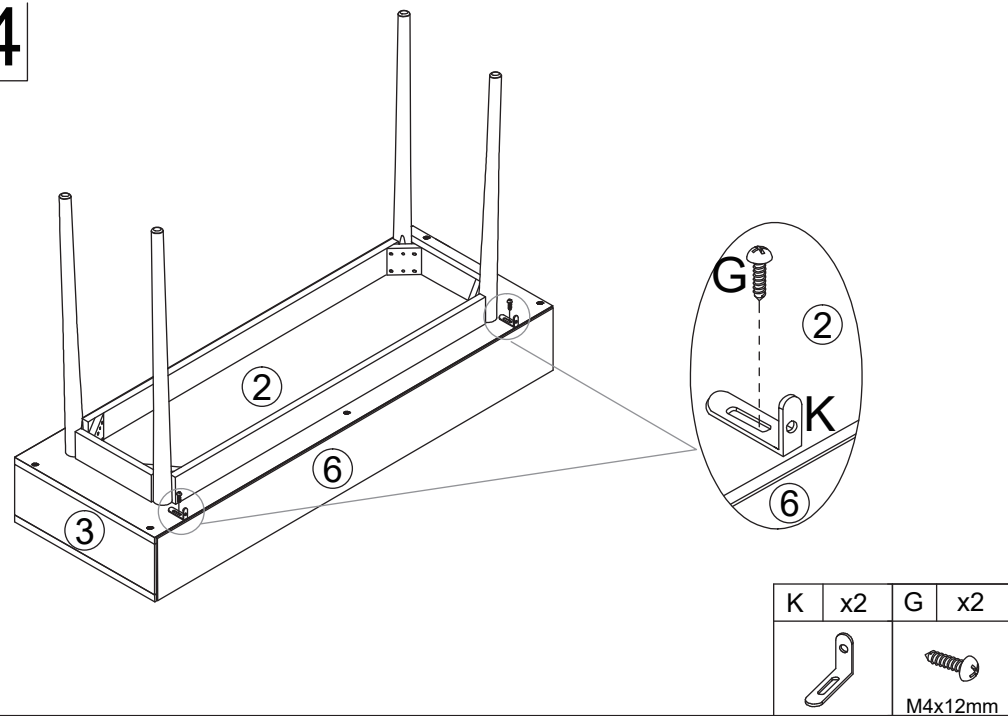
T	x14
	



12



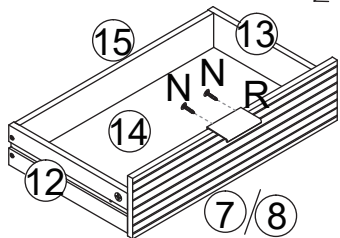
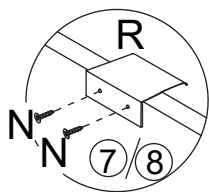
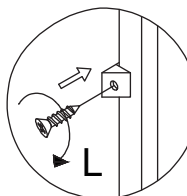
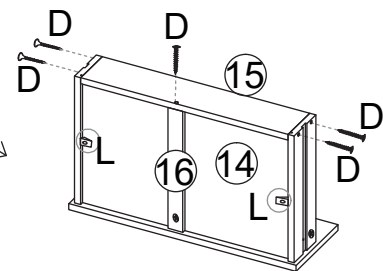
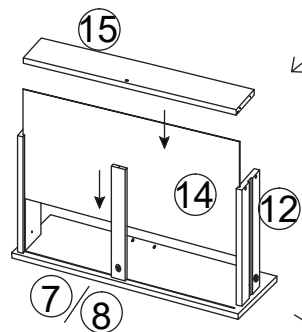
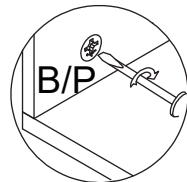
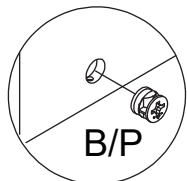
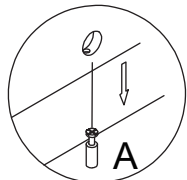
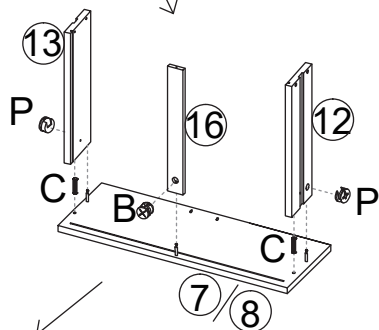
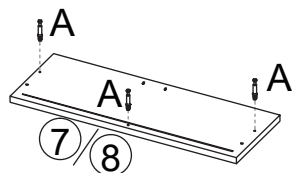
J	x8	Q	x8	I	x1	O	x8	U	x4
	6mm		6mm		4mm		M6x60mm		

14



K	x2	G	x2
			M4x12mm

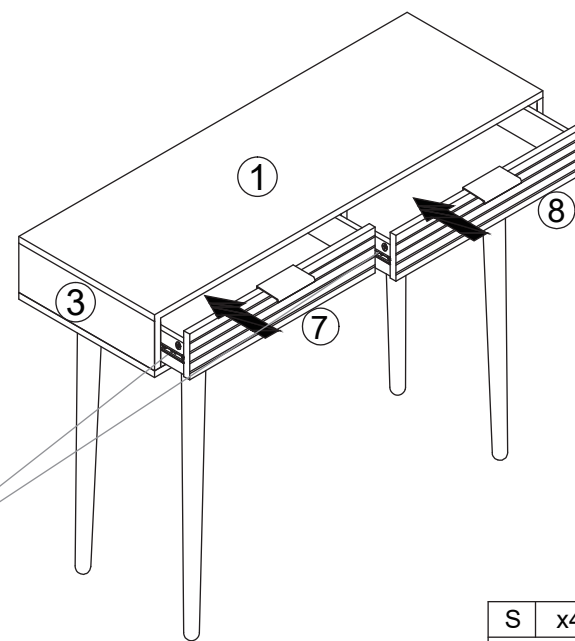
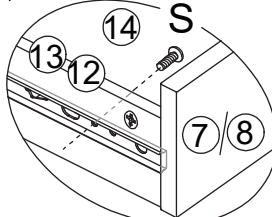
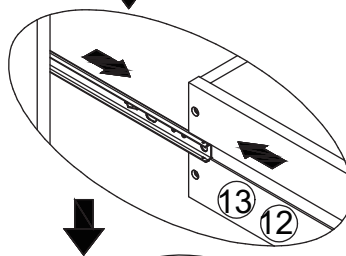
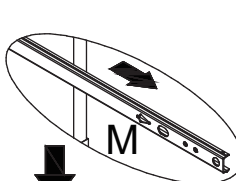
15



x2

C	x4	A	x6	B	x2	D	x10	P	x4	R	x2	N	x4	L	x4
Ø6x30mm		7x35mm		15x12mm		M4x40mm		12x10mm				M3x12mm		M3x14mm	

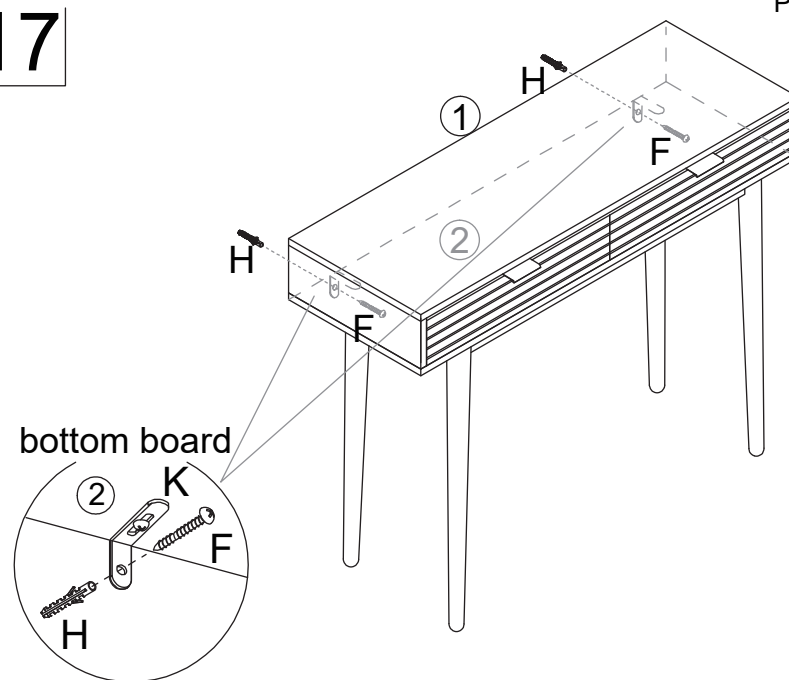
16



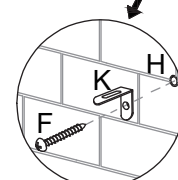
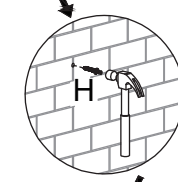
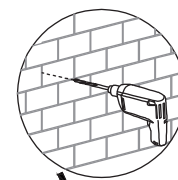
S	x4
M4x11mm	

Screw from the inside of the drawers

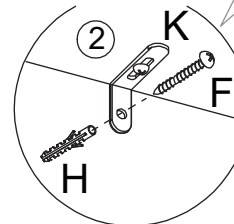
17



Pre-drilled hole at wall



bottom board



H	x2	F	x2
		M4x30mm	