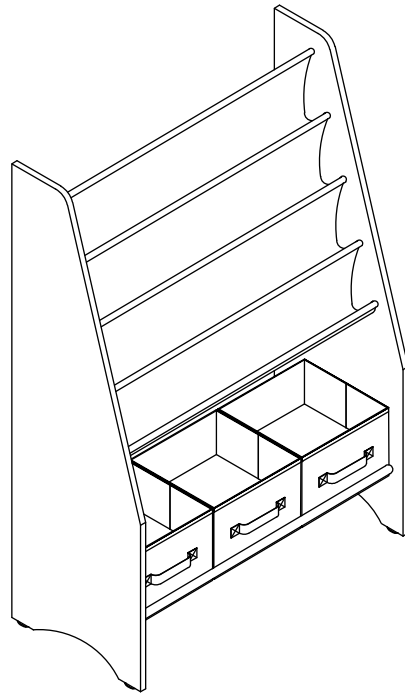




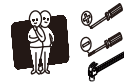
KIDS BOOKSHELF

MODEL:ST-KID-LAM-A33-WH



ASSEMBLY INSTRUCTIONS

Please read instructions carefully before assembly.



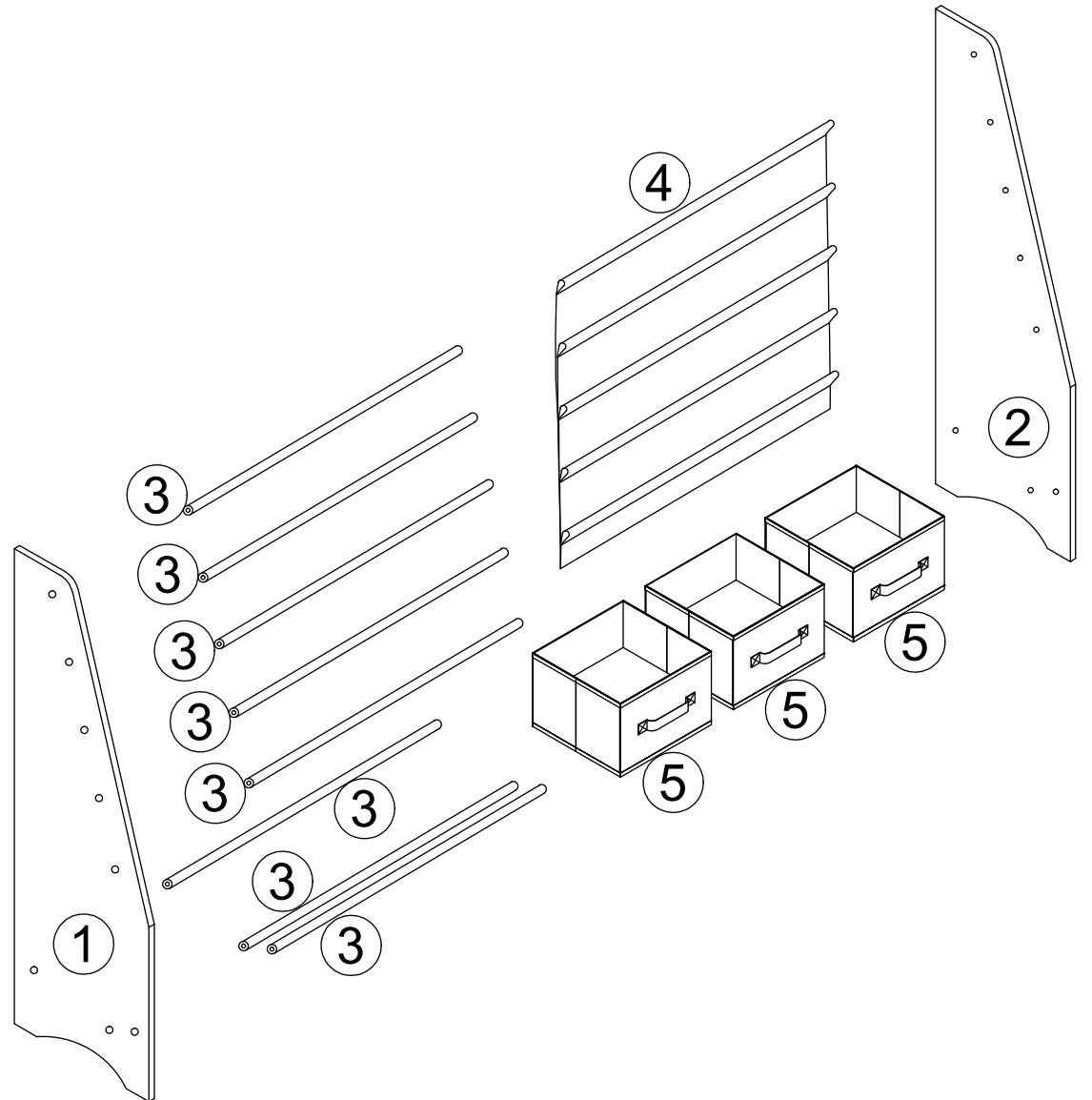
Two persons and tools required for assembly

HARDWARE

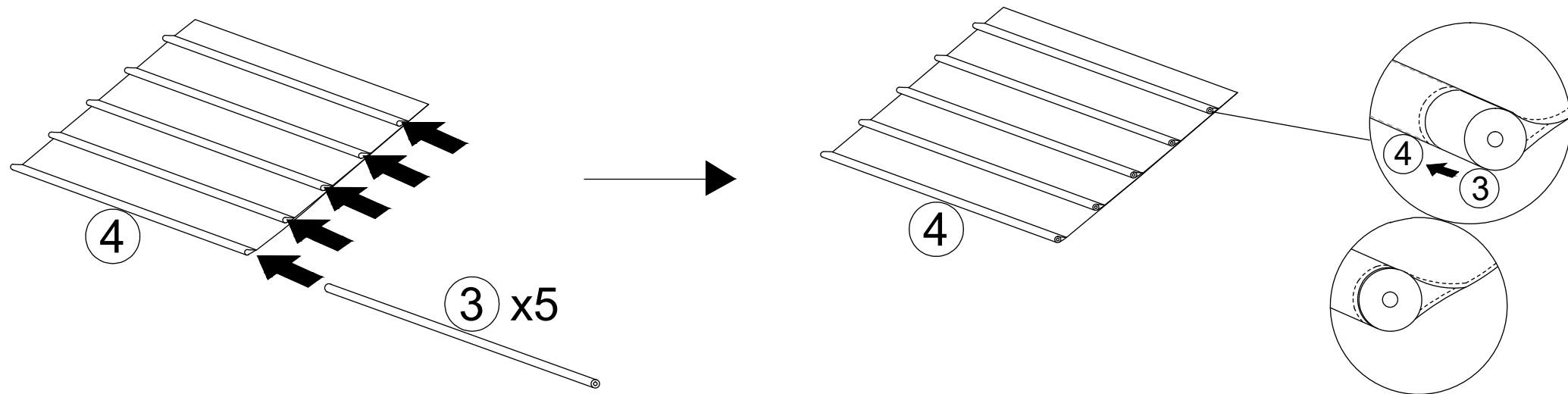
A	x2	B	x16	C	x16	D	x4
			M5x50mm				
E	x2	F	x2	G	x2		
			M4x12mm		M4x30mm		

PARTS

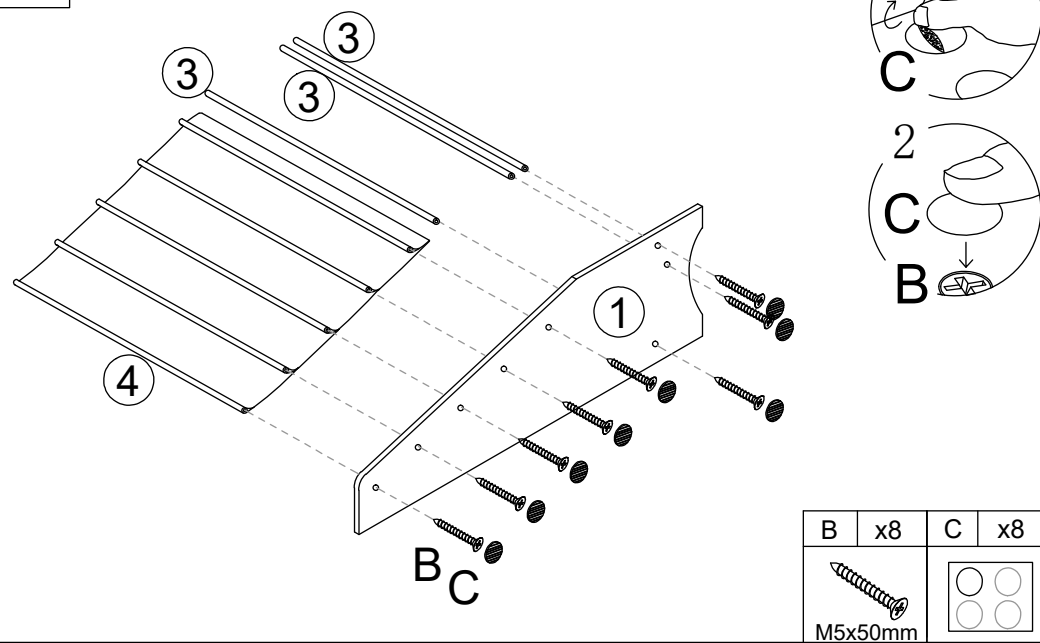
Wipe with dry cloths





1

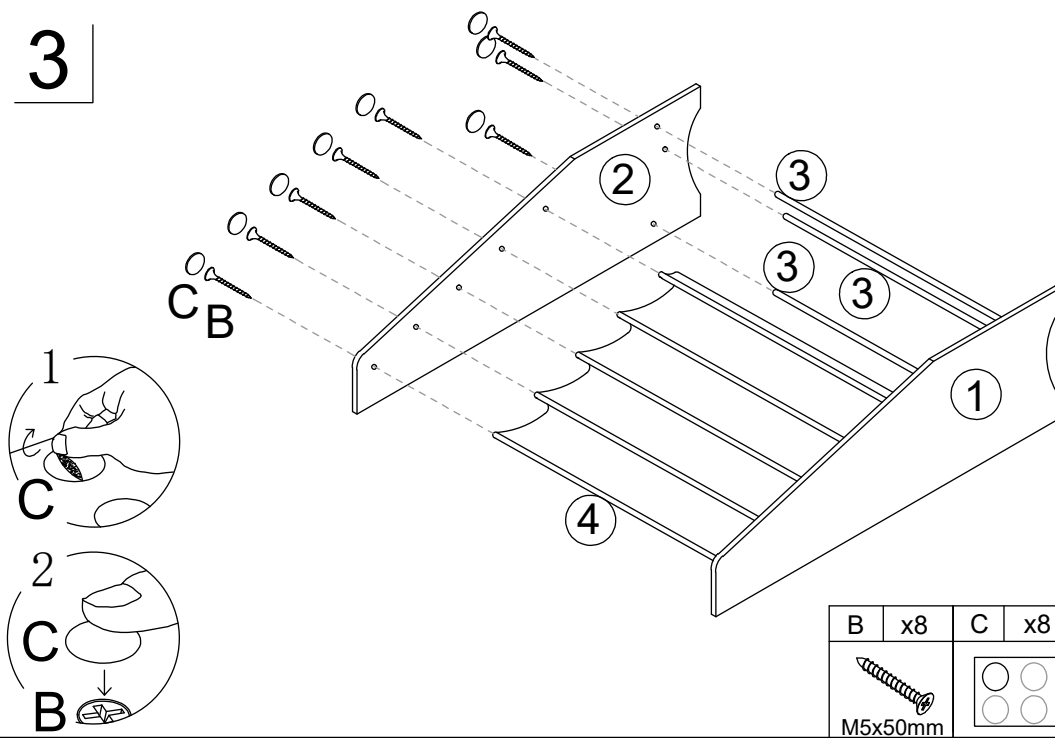



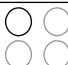
2



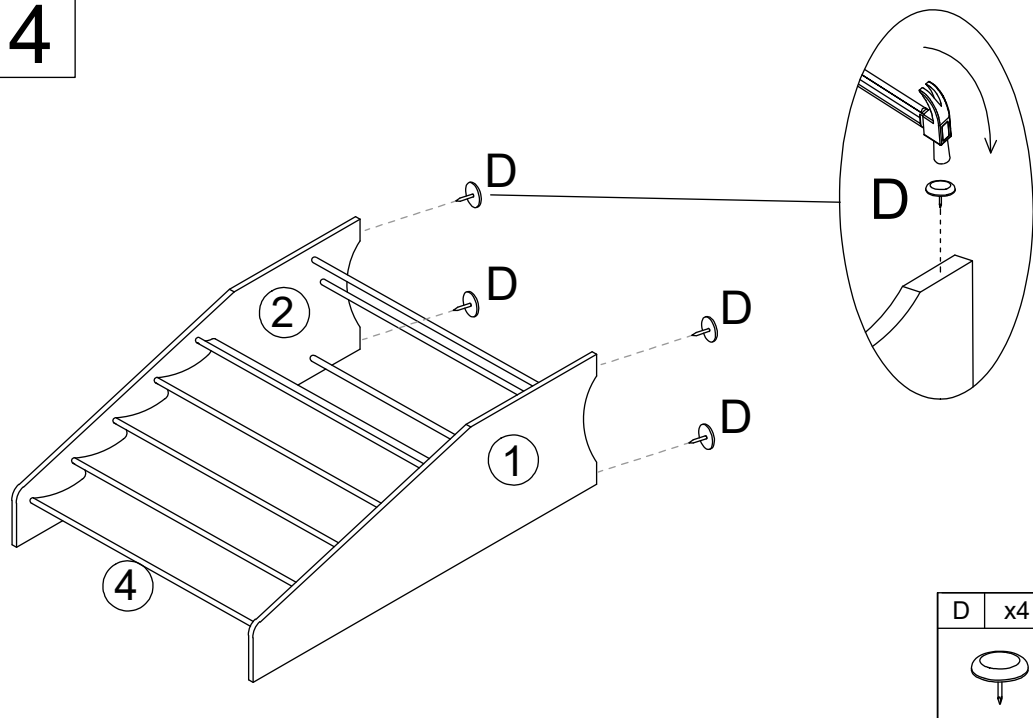
B	x8	C	x8
			
M5x50mm			


3



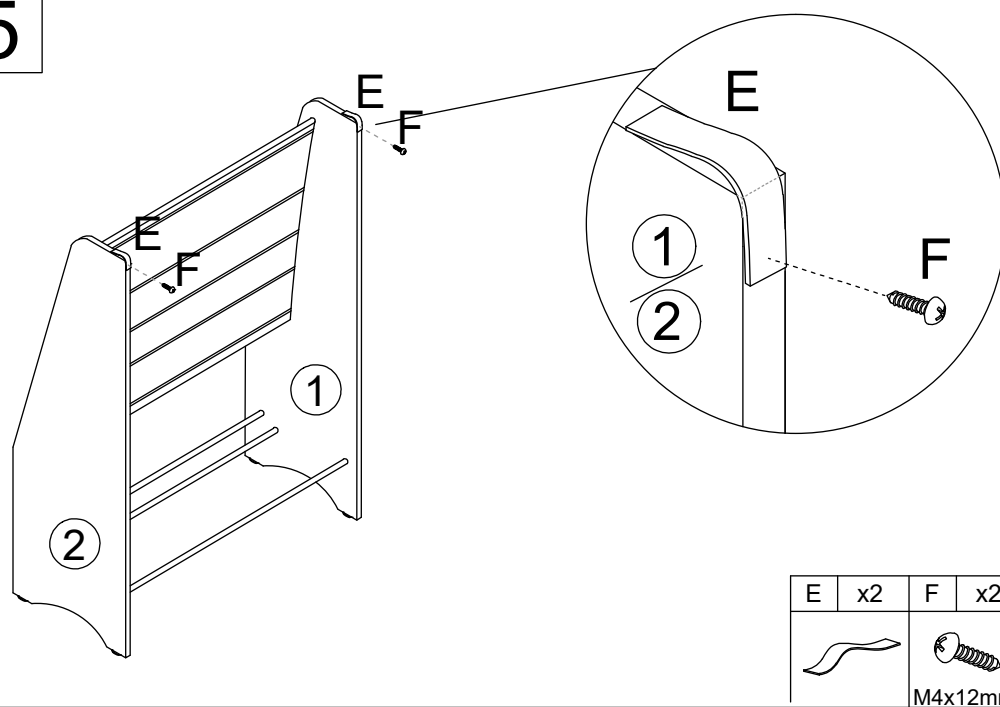
B	x8	C	x8
			
M5x50mm			



4



D	x4
	

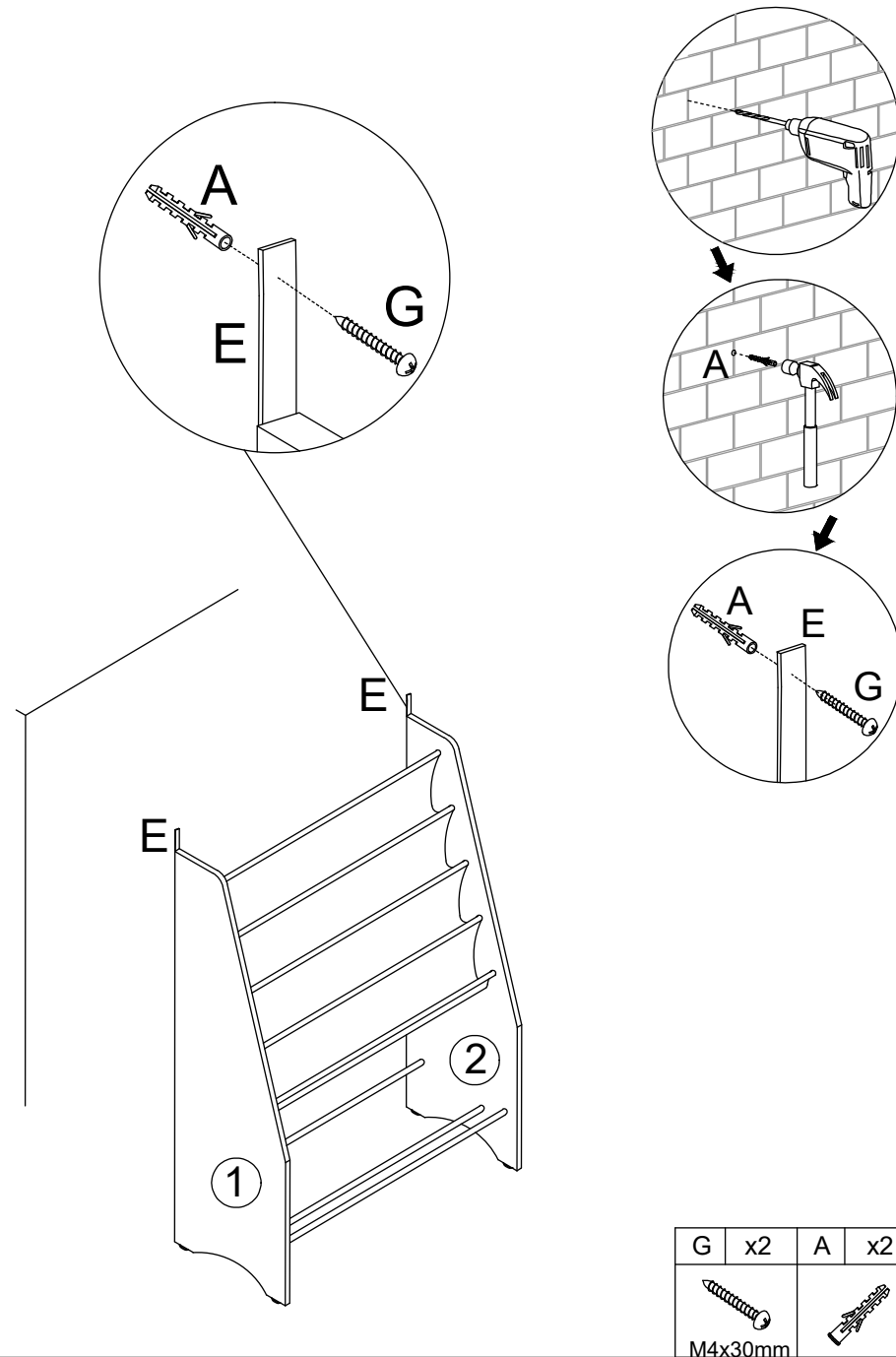
5





E	x2	F	x2
			
M4x12mm			

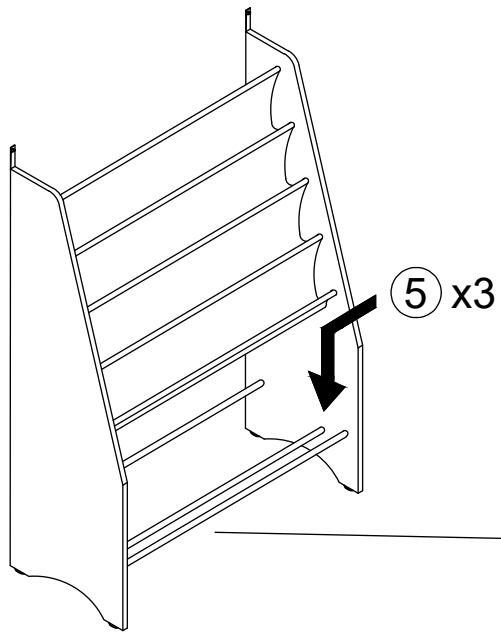
6

Pre-drilled hole at wall

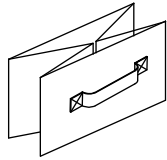


G	x2	A	x2
			
M4x30mm			

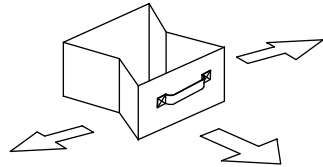
7



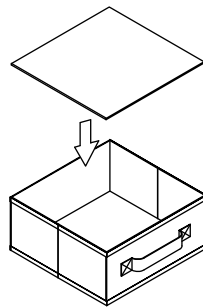
1



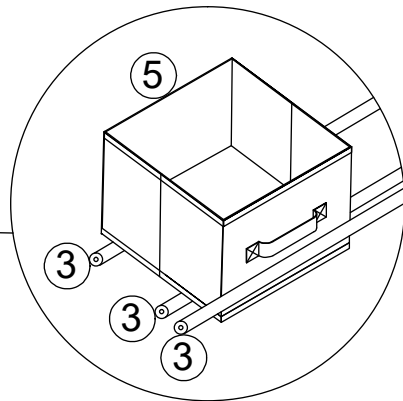
2



3



5 x 3



8

