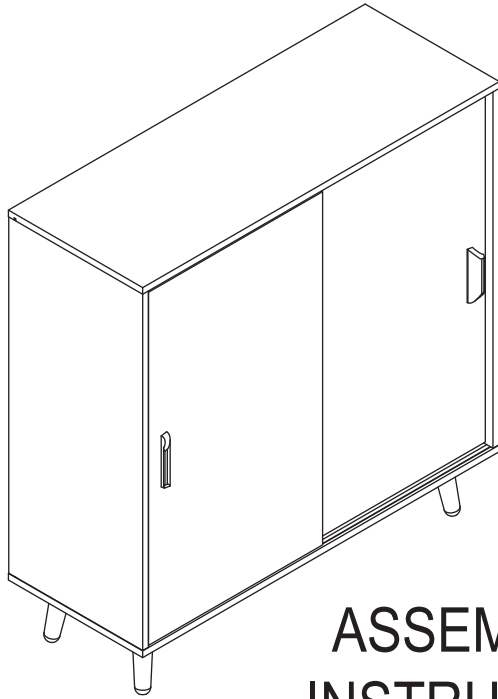
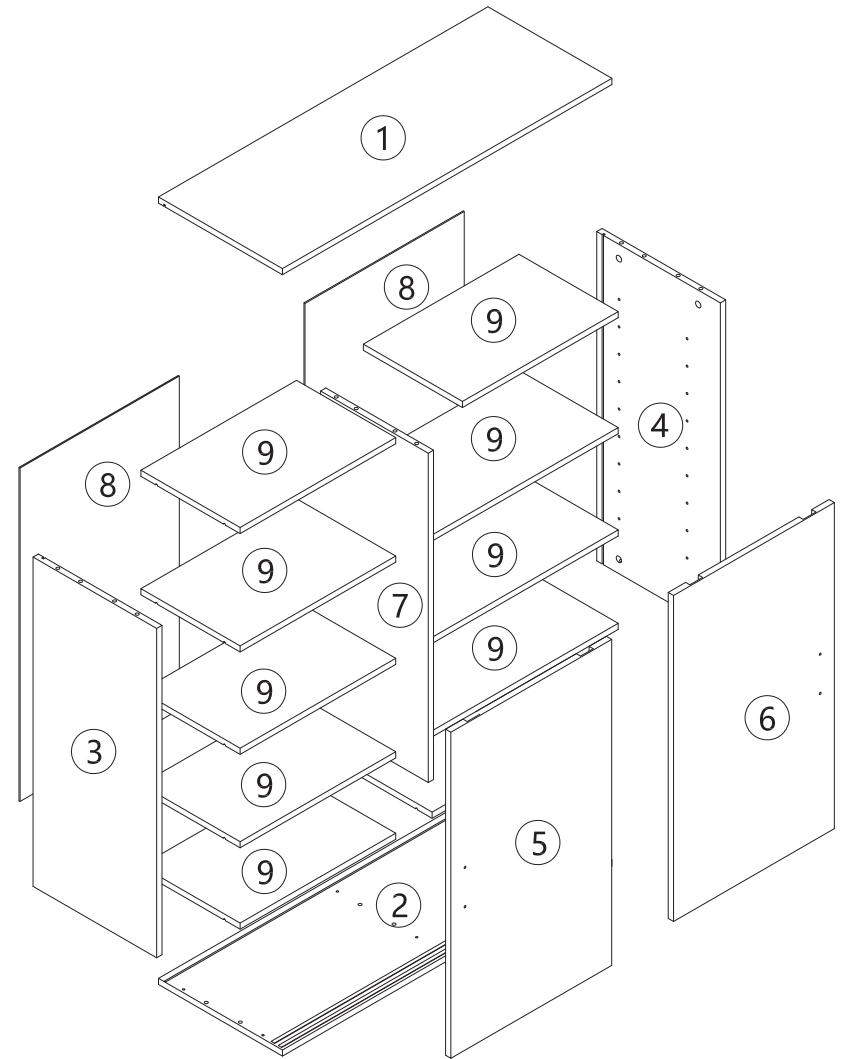


MODEL:SS-B13-OLGA-WD


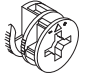
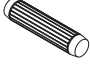



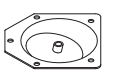
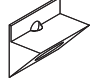

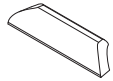
VERSION: 1.0

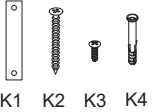

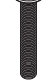



ASSEMBLY INSTRUCTIONS



HARDWARE

A  12 pcs	B  12 pcs	C  12 pcs	D  33 pcs 3.5*14	E  32 pcs 3*12
F  5 pcs	G  5 pcs	H  8 pcs	I  4 sets I1 I2	J  2 pcs

K  2 sets K1 K2 K3 K4	L  40 pcs	M  4 pcs	N  12 pcs
--	---	--	---

ASSEMBLY CHECKLIST



Read through the instructions carefully before starting assembly.



Make sure that you have the required tools. Do not use power tools.



Identify and lay out all parts to familiarise yourself with them.

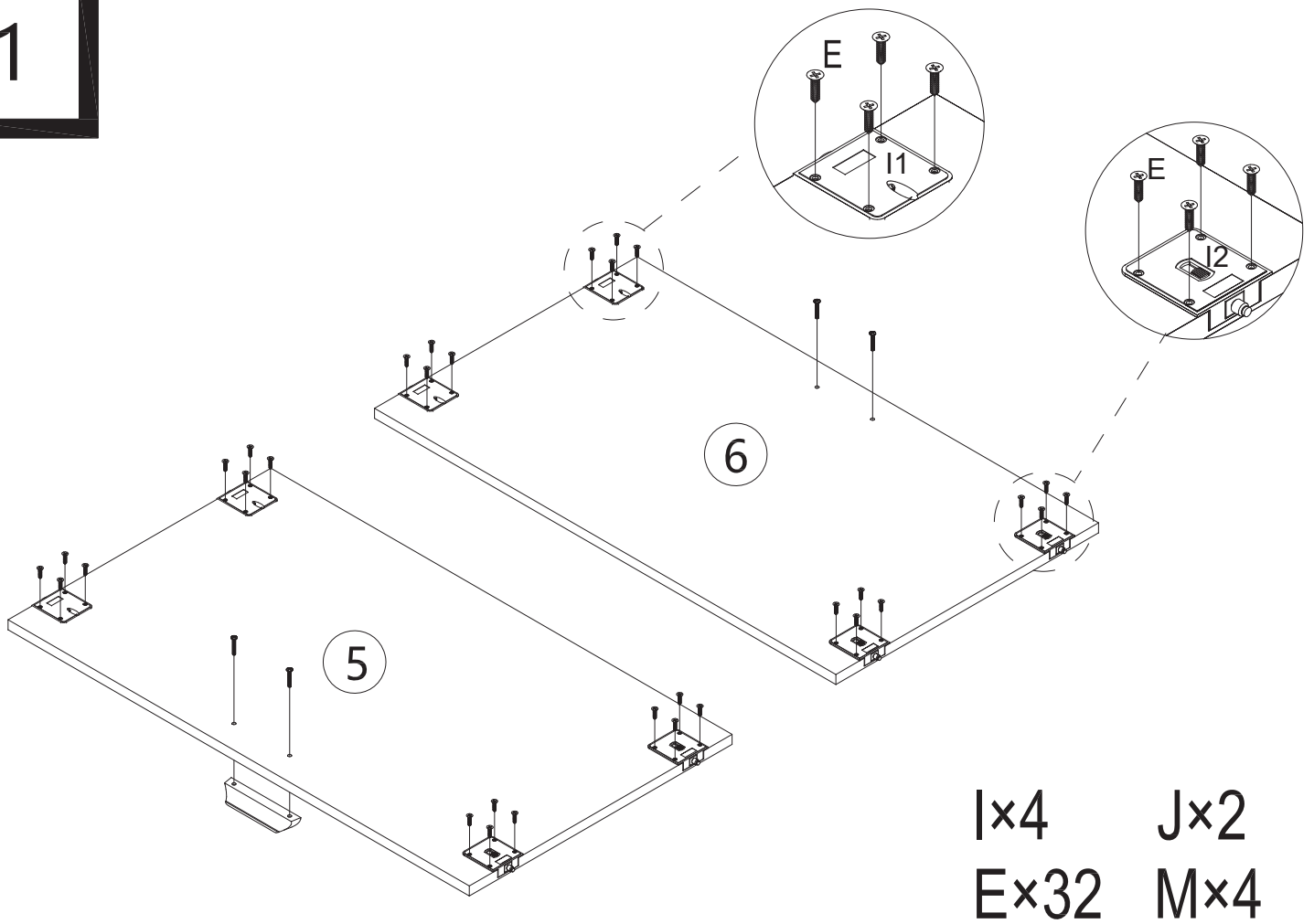


Do not fully tighten all screws until the step or process has been completed.

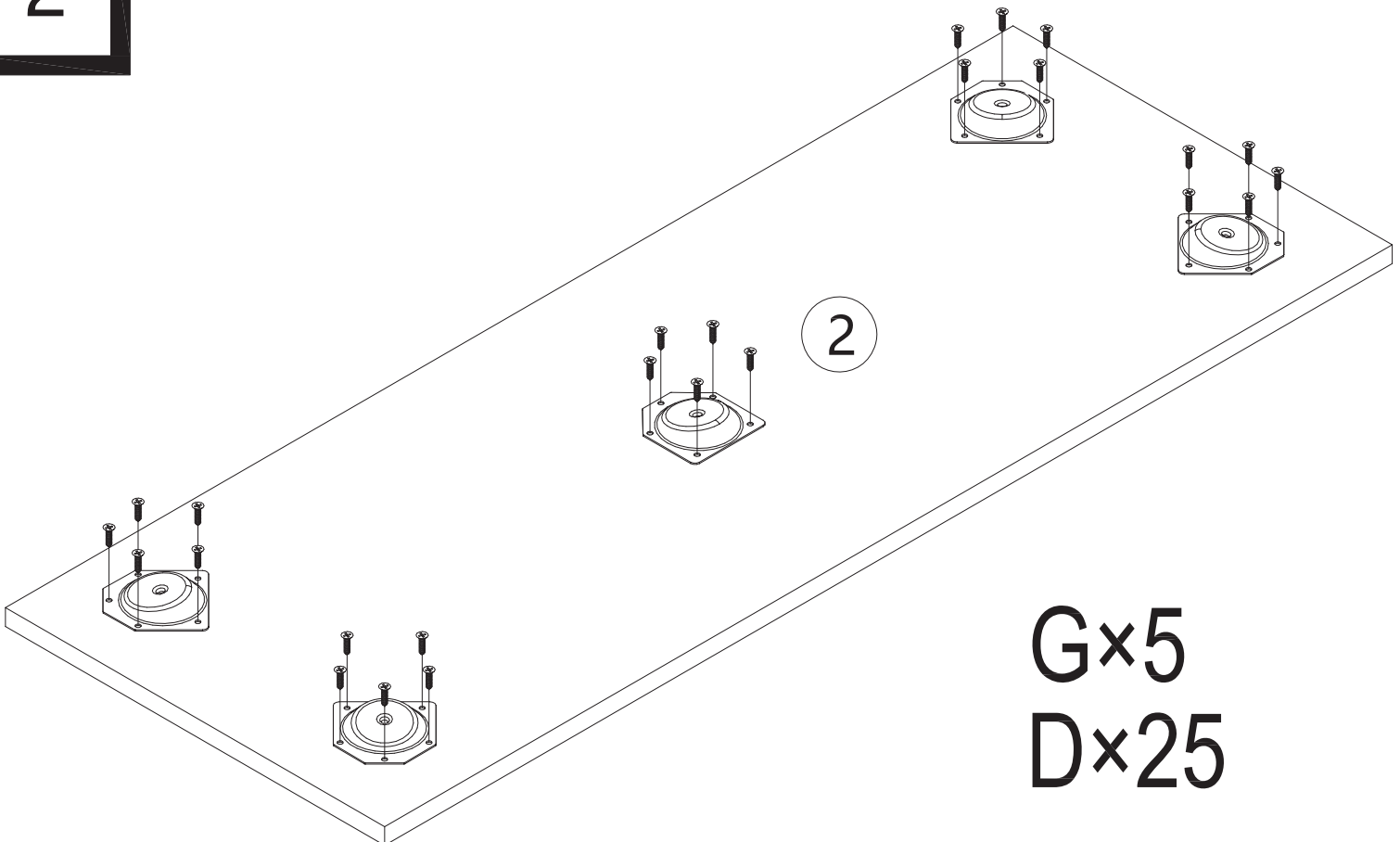
USEFUL INFORMATION

1. Never use power tools for assembly. They can damage the components or hardware if used incorrectly.
2. The most common mistakes made during assembly are using the wrong hardware or getting components from back to front.
3. Always assemble the product on a soft surface such as a carpet or cardboard to avoid scratching or damaging the surface of the product.

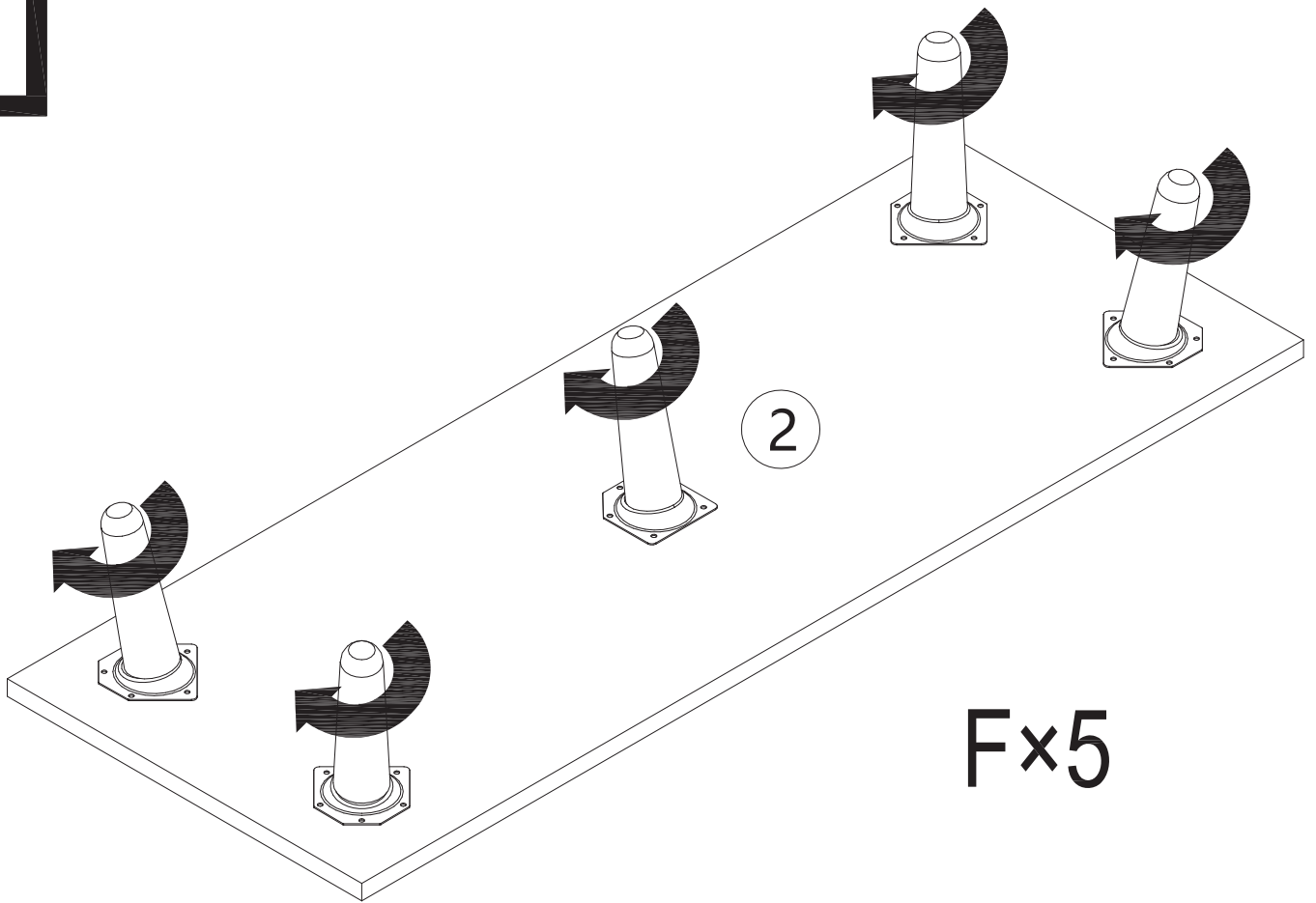
1



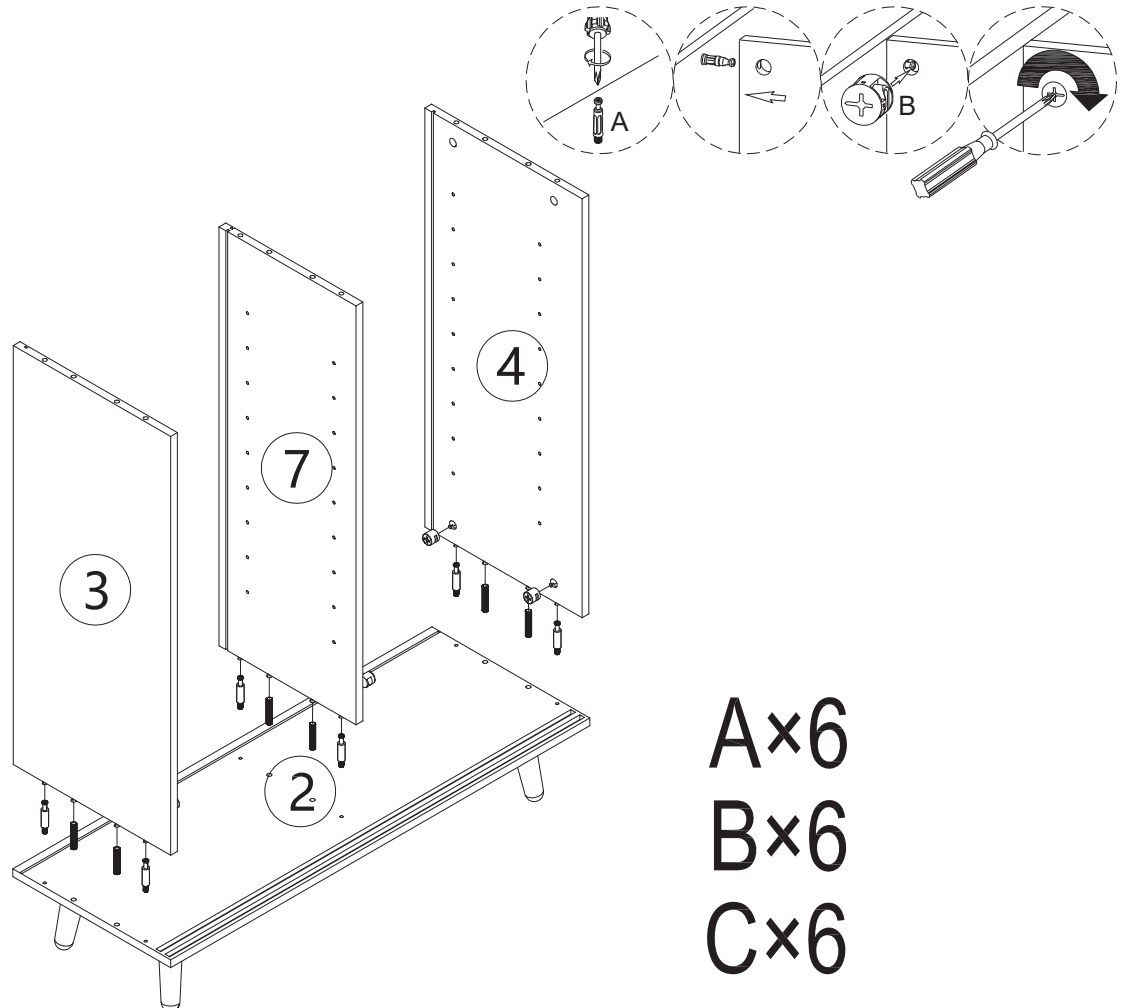
2



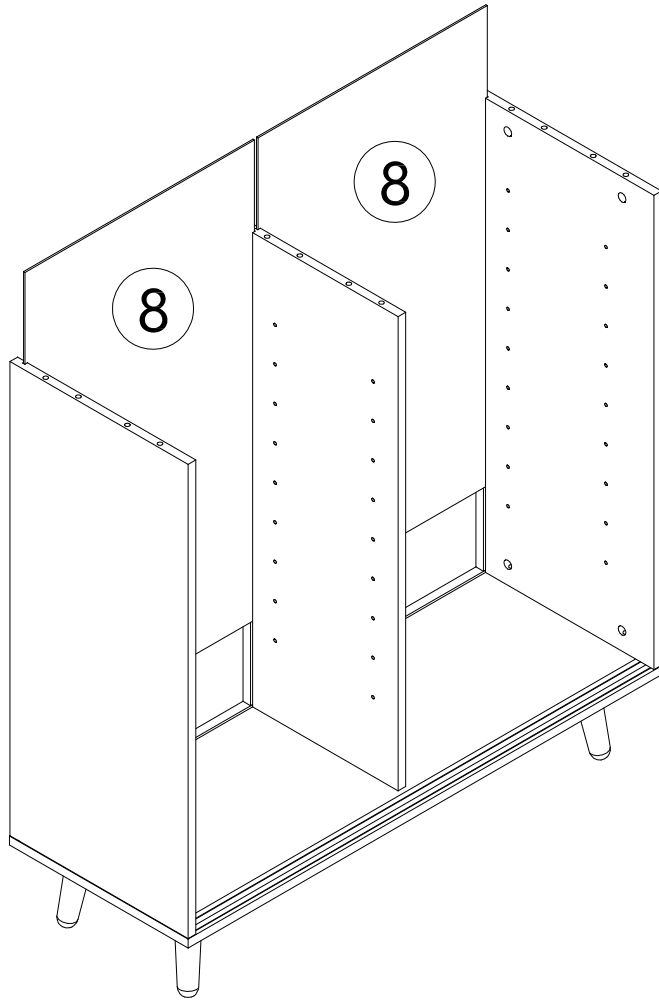
3



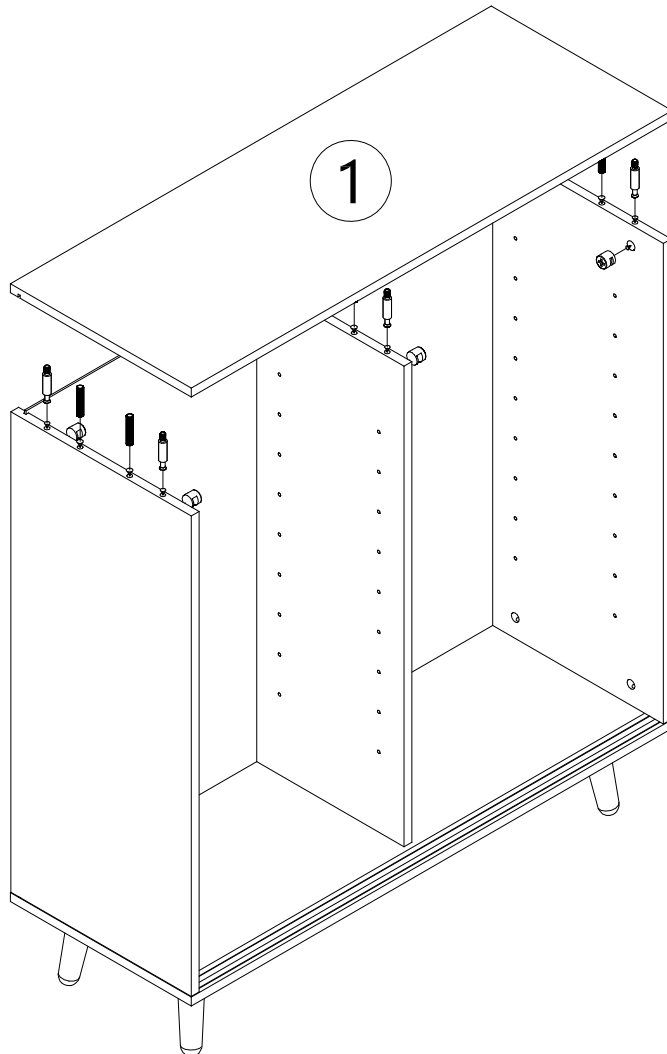
4



5

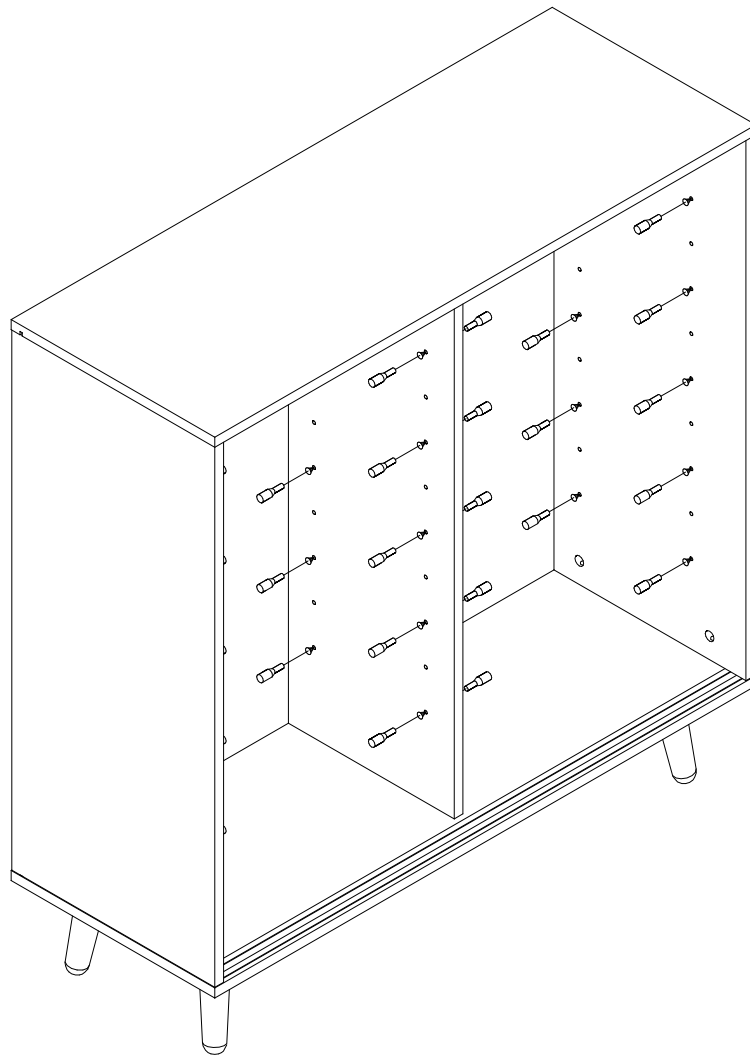


6



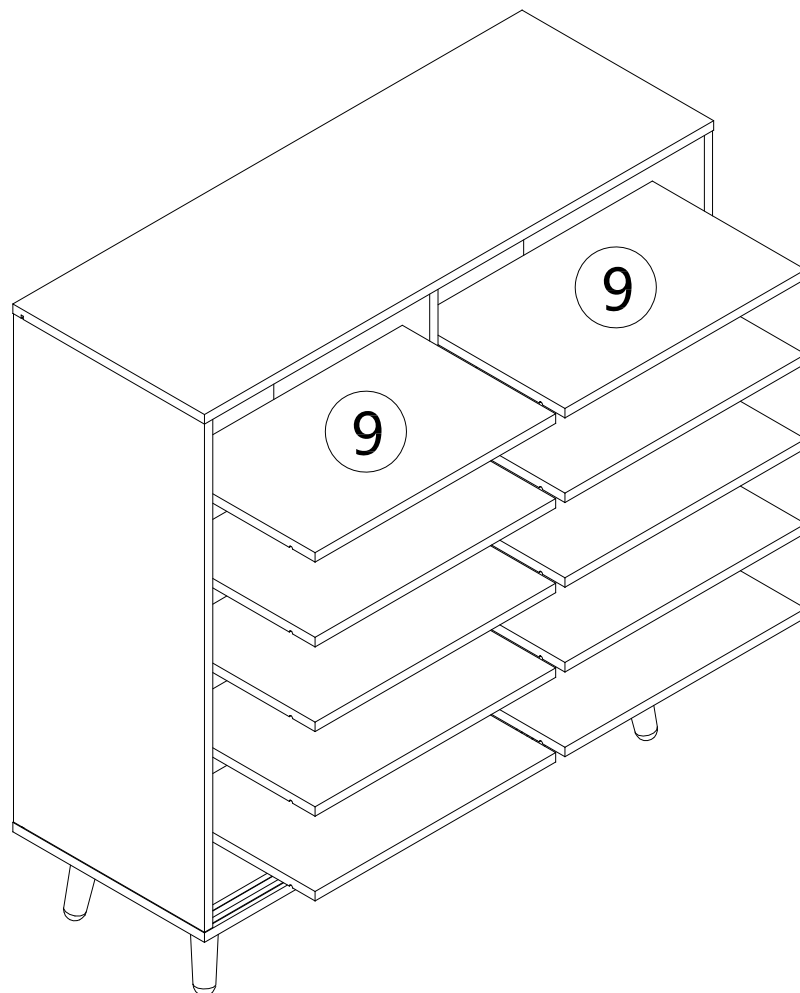
A×6
B×6
C×6

7

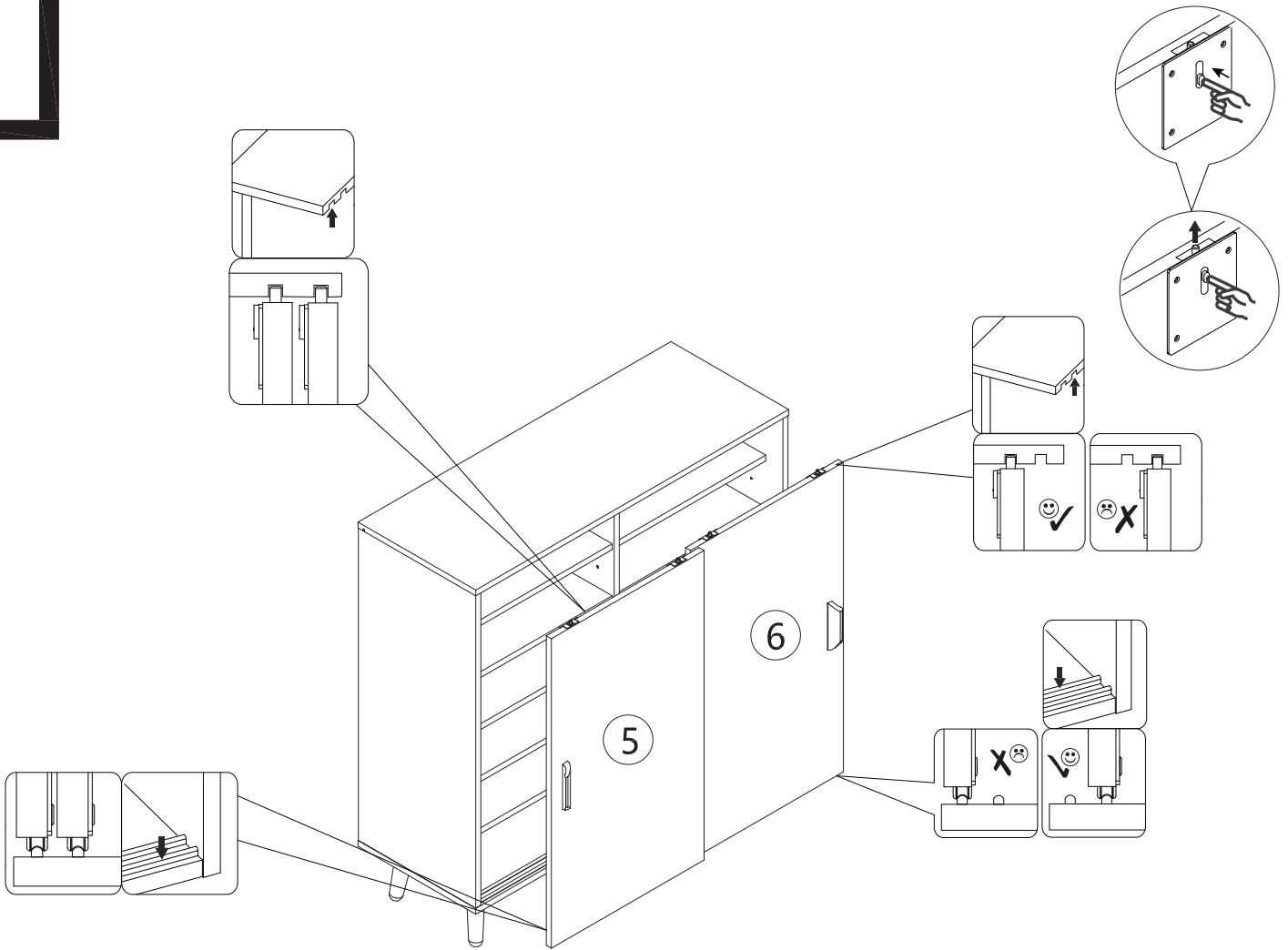


L×40

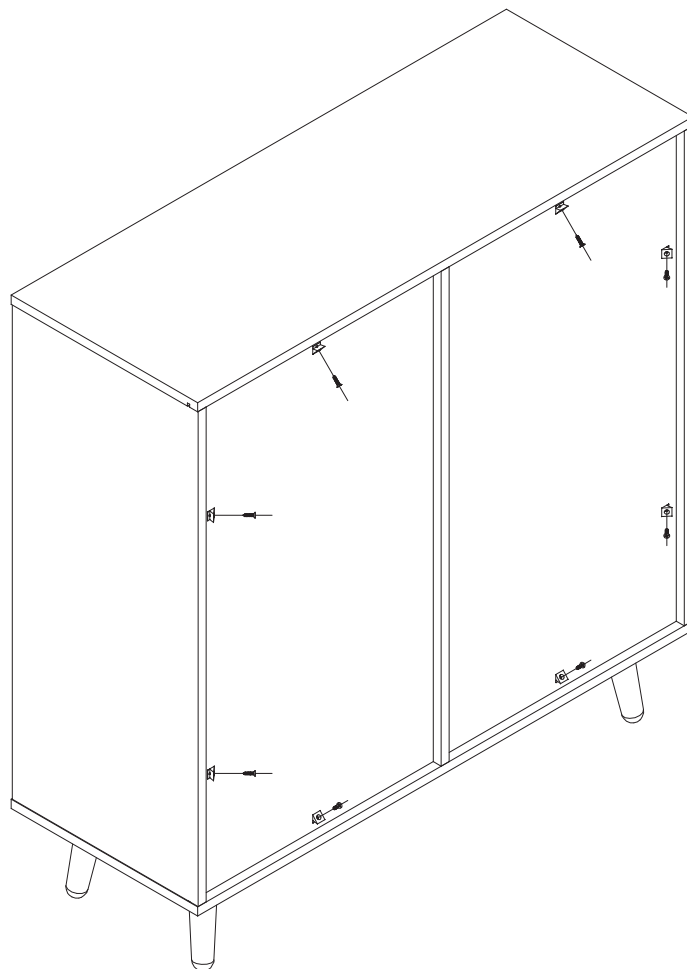
8



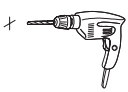

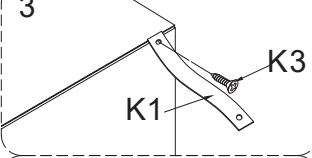
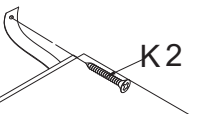
9



10



Hx8
Dx8

- 1 
- 2  K4
- 3  K1 K3
- 4  K2

