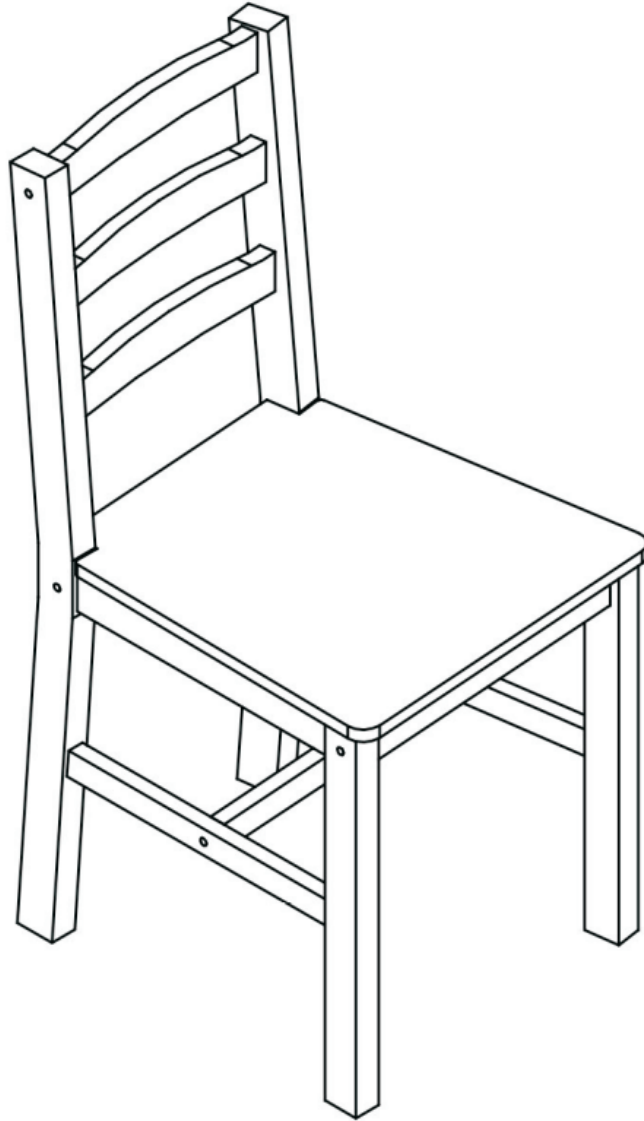


WOODEN CHAIR

MODEL : DCH-RONI-WHWD



ASSEMBLY INSTRUCTIONS

Please read the instructions carefully
before assembling and using the product

ASSEMBLY CHECKLIST



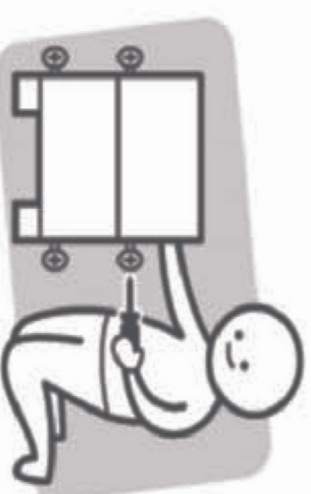
Read through the instructions carefully before starting assembly.



Identify and lay out all parts to familiarise yourself with them.



Make sure that you have the required tools. Do not use power tools.

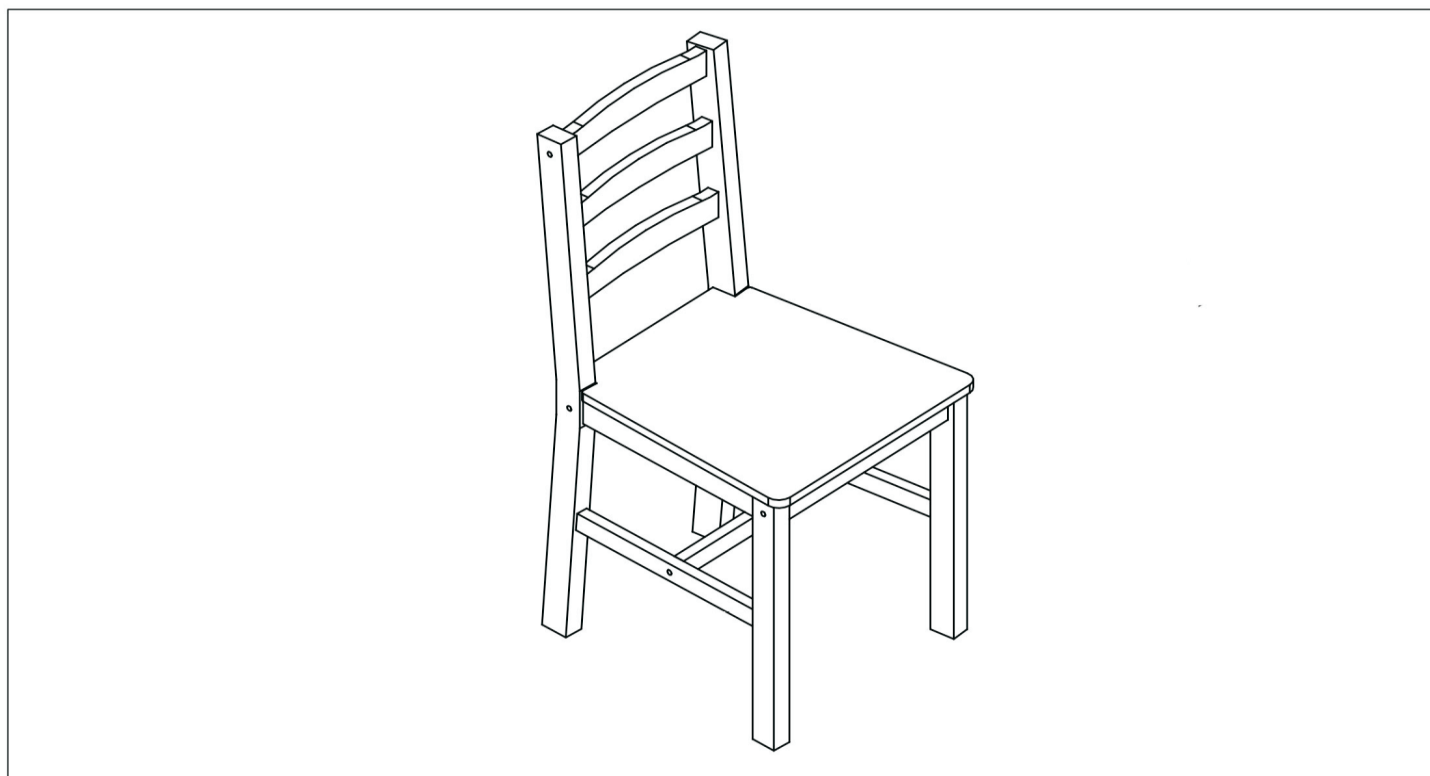


Do not fully tighten all screws until the step or process has been completed.


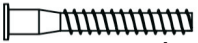


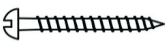
USEFUL INFORMATION



1. Never use power tools for assembly. They can damage the components or hardware if used incorrectly.
2. The most common mistakes made during assembly are using the wrong hardware or getting components from back to front.
3. Always assemble the product on a soft surface such as a carpet or cardboard to avoid scratching or damaging the surface of the product.

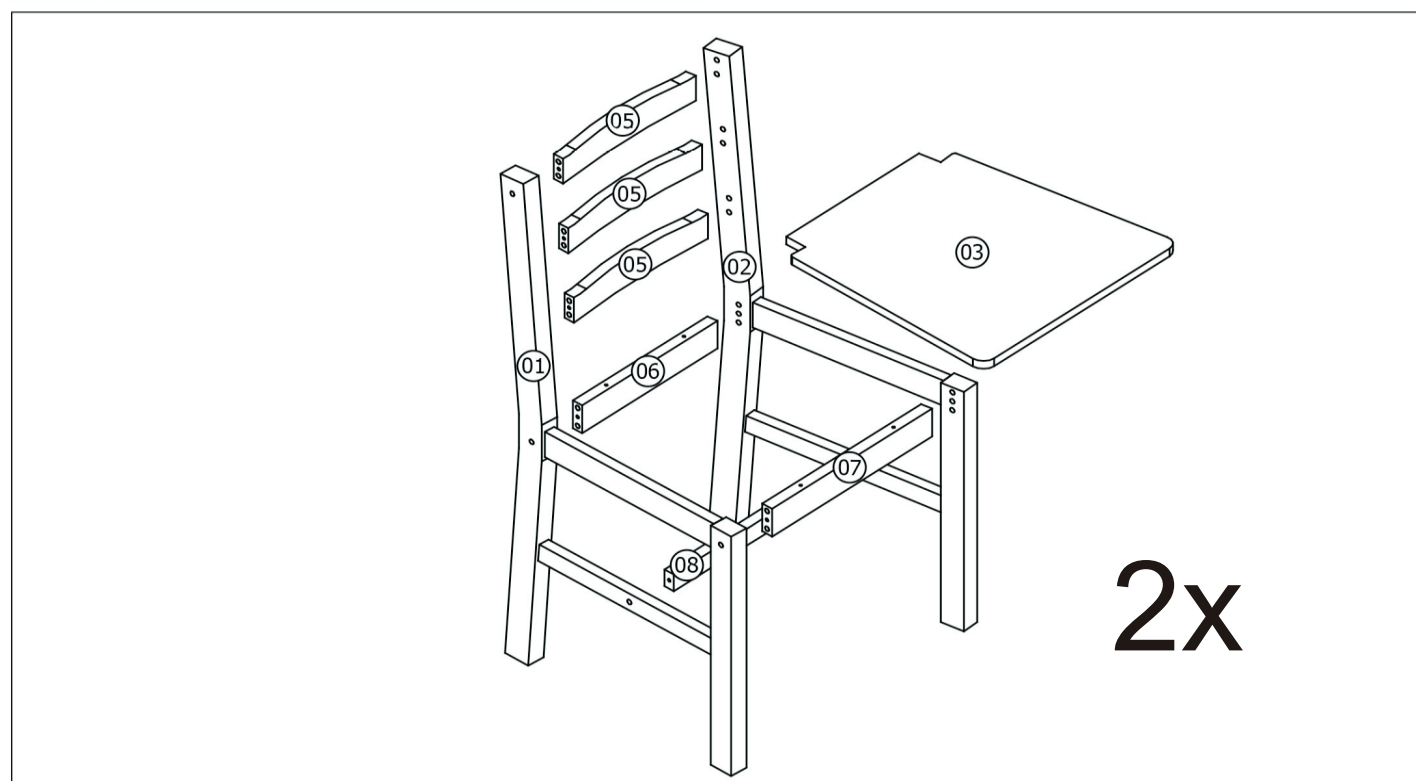
ASSEMBLY STEPS



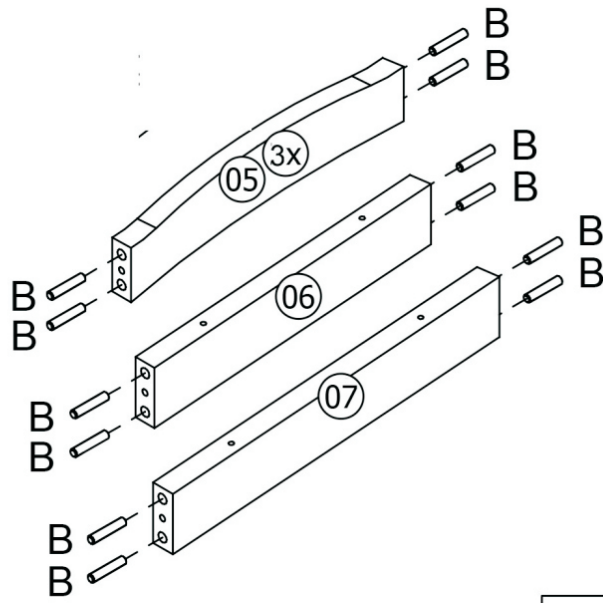
HARDWARE

A	  $\Phi 7 \times 60 \text{mm}$	16
B	 $\Phi 8 \times 30 \text{mm}$	40
C	  $\Phi 4 \times 50 \text{mm}$	08

D	 4mm	01
E	Floor protectors  20x20mm	08



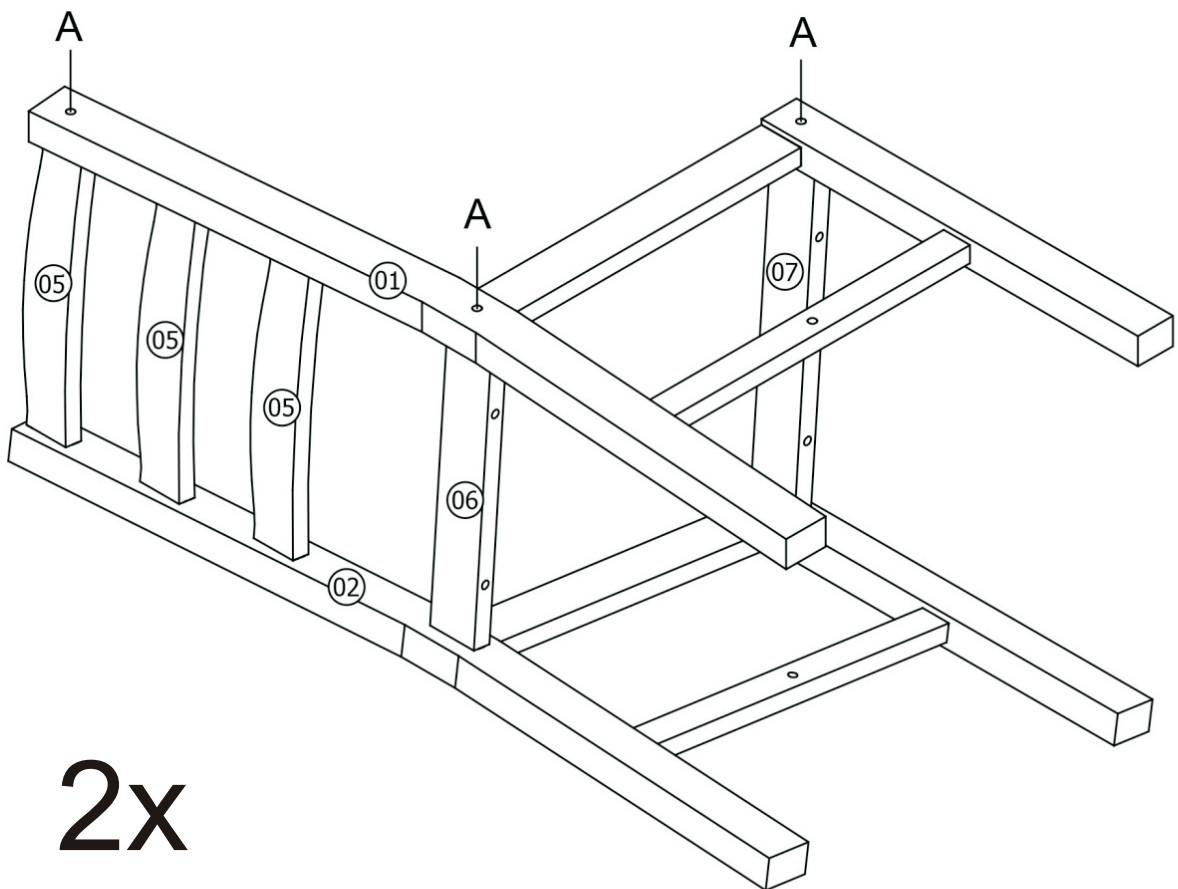
01




2x

B		40
---	---	----

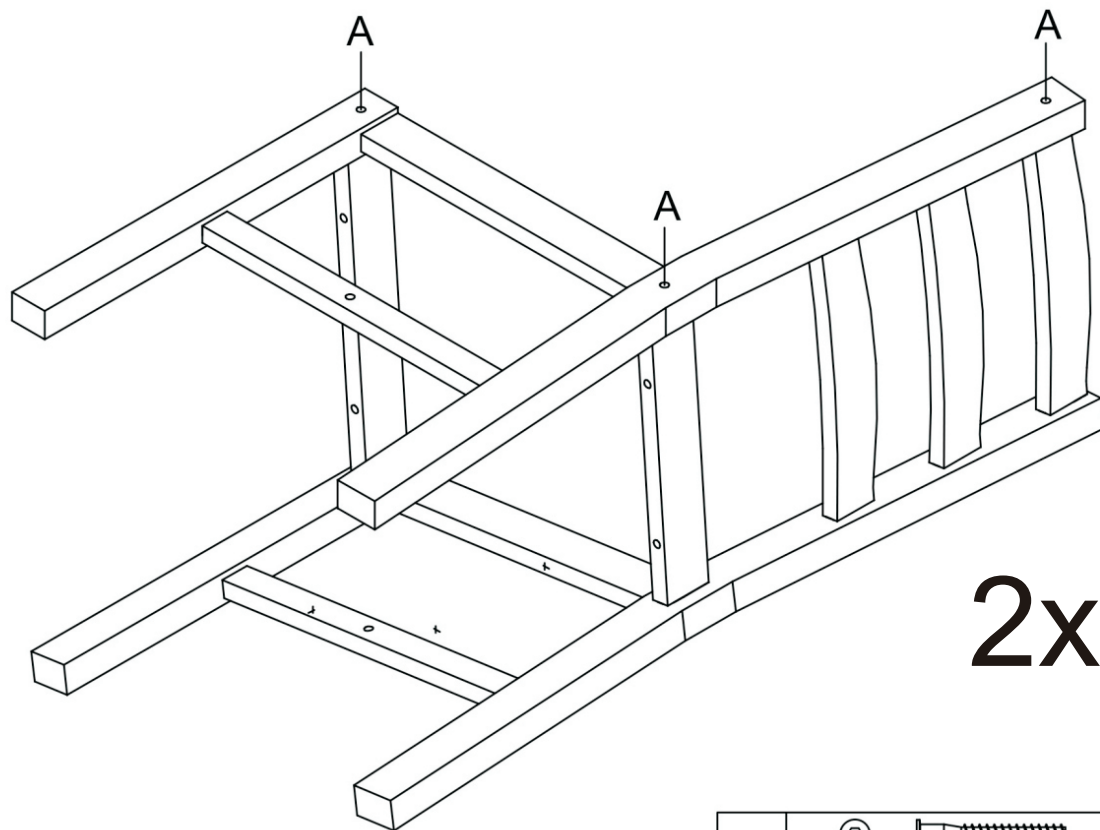
02





2x

A		06
---	---	----

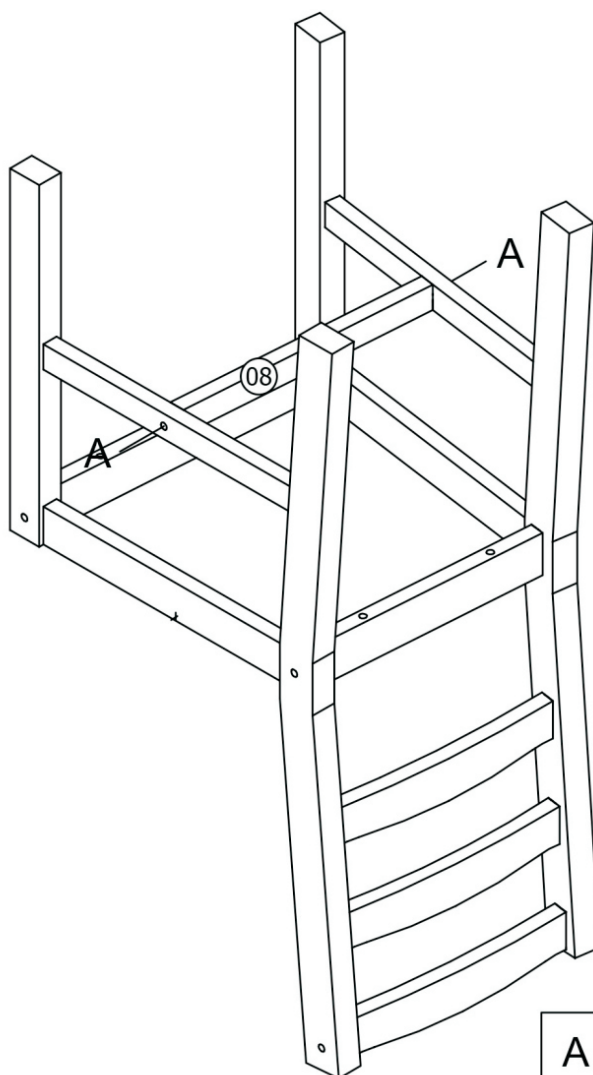
03





2x

A	 	06
---	---	----

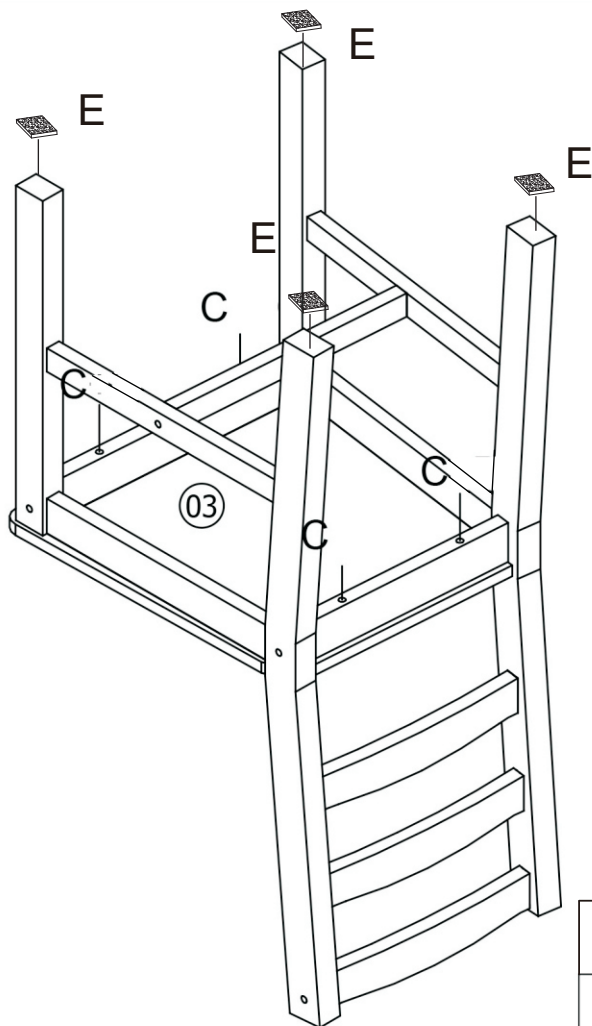
04




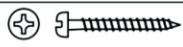
2x

A	 	04
---	---	----

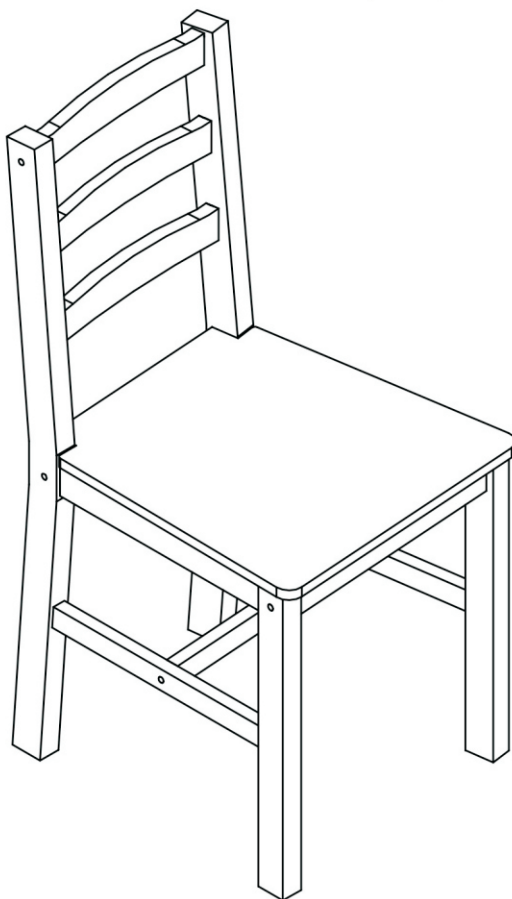
05



2x

E		08
C		08

06



2x