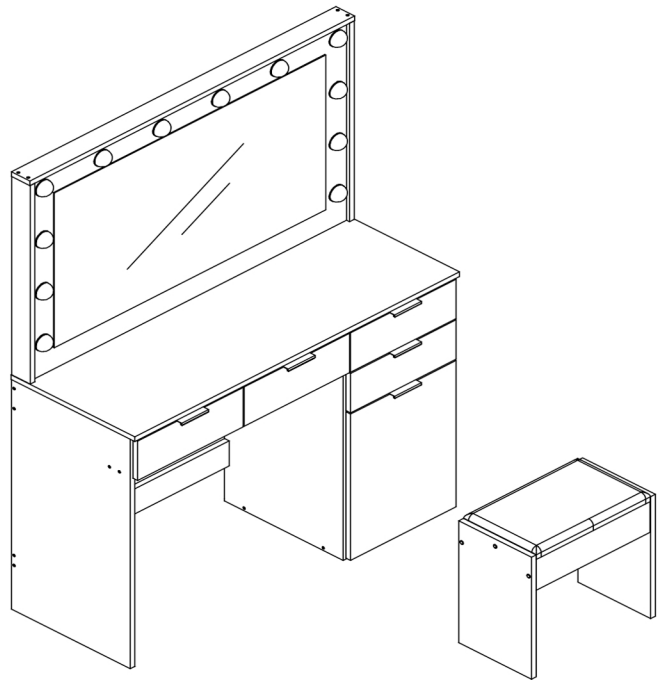




DRESSING TABLE

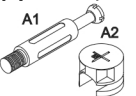
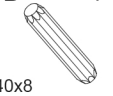



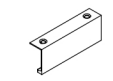


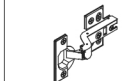


MODEL: DT-ST-B18



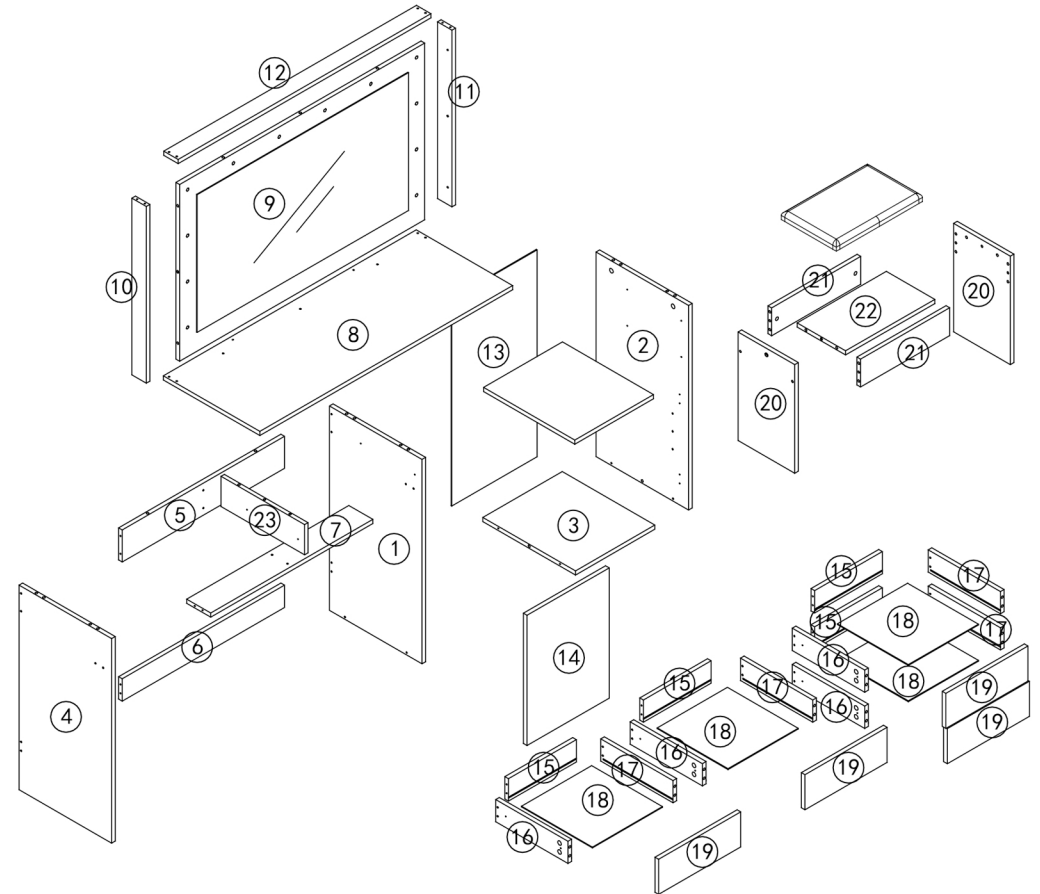
ASSEMBLY INSTRUCTIONS

Please read the instructions carefully before assembly

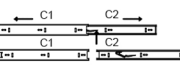
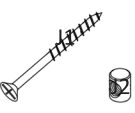
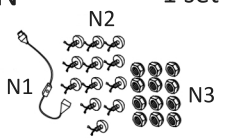
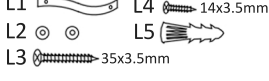
HARDWARE

A 26pcs 	B 19pcs 	D 44pcs 	E 47pcs 	F 10pcs 
G 5pcs 	H 2pcs 	I 28pcs 	K 2pcs 	M 4pcs 
				O 14pcs  Hole sticker

PARTS



HARDWARE AND LED COMPONENTS

C 4 sets 	J 4 sets 	N 1 set 	L 2 sets 
--	--	---	--

ASSEMBLY CHECKLIST



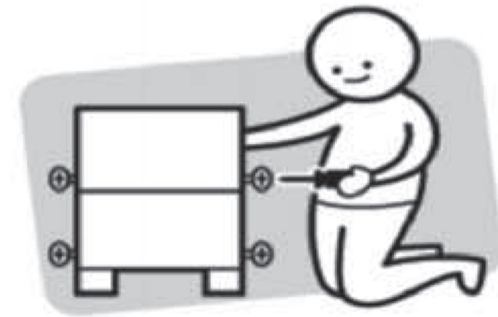
Read through the instructions carefully before starting assembly.



Make sure that you have the required tools. Do not use power tools.



Identify and lay out all parts to familiarise yourself with them.



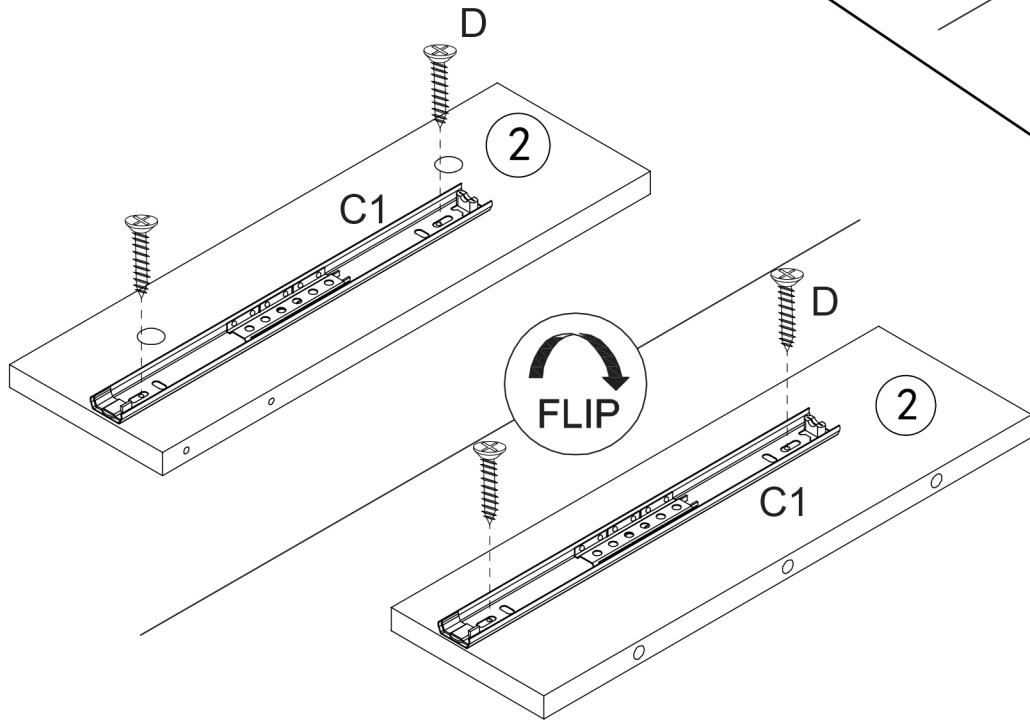
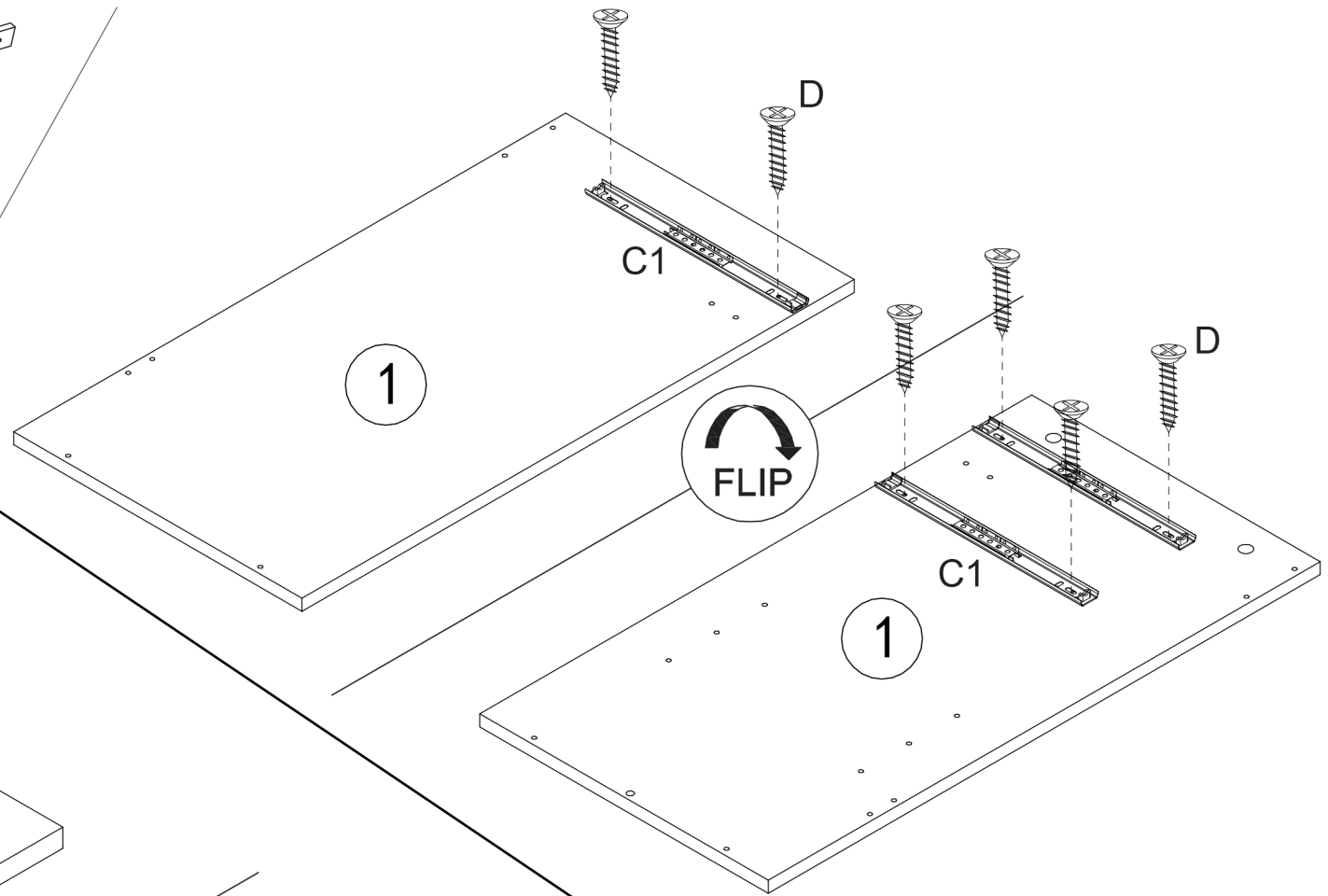
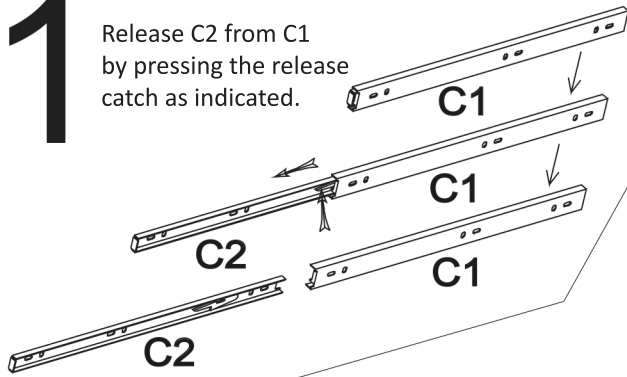
Do not fully tighten all screws until the step or process has been completed.

USEFUL INFORMATION

1. Never use power tools for assembly. They can damage the components or hardware if used incorrectly.
2. The most common mistakes made during assembly are using the wrong hardware or getting components from back to front.
3. Always assemble the product on a soft surface such as a carpet or cardboard to avoid scratching or damaging the surface of the product.

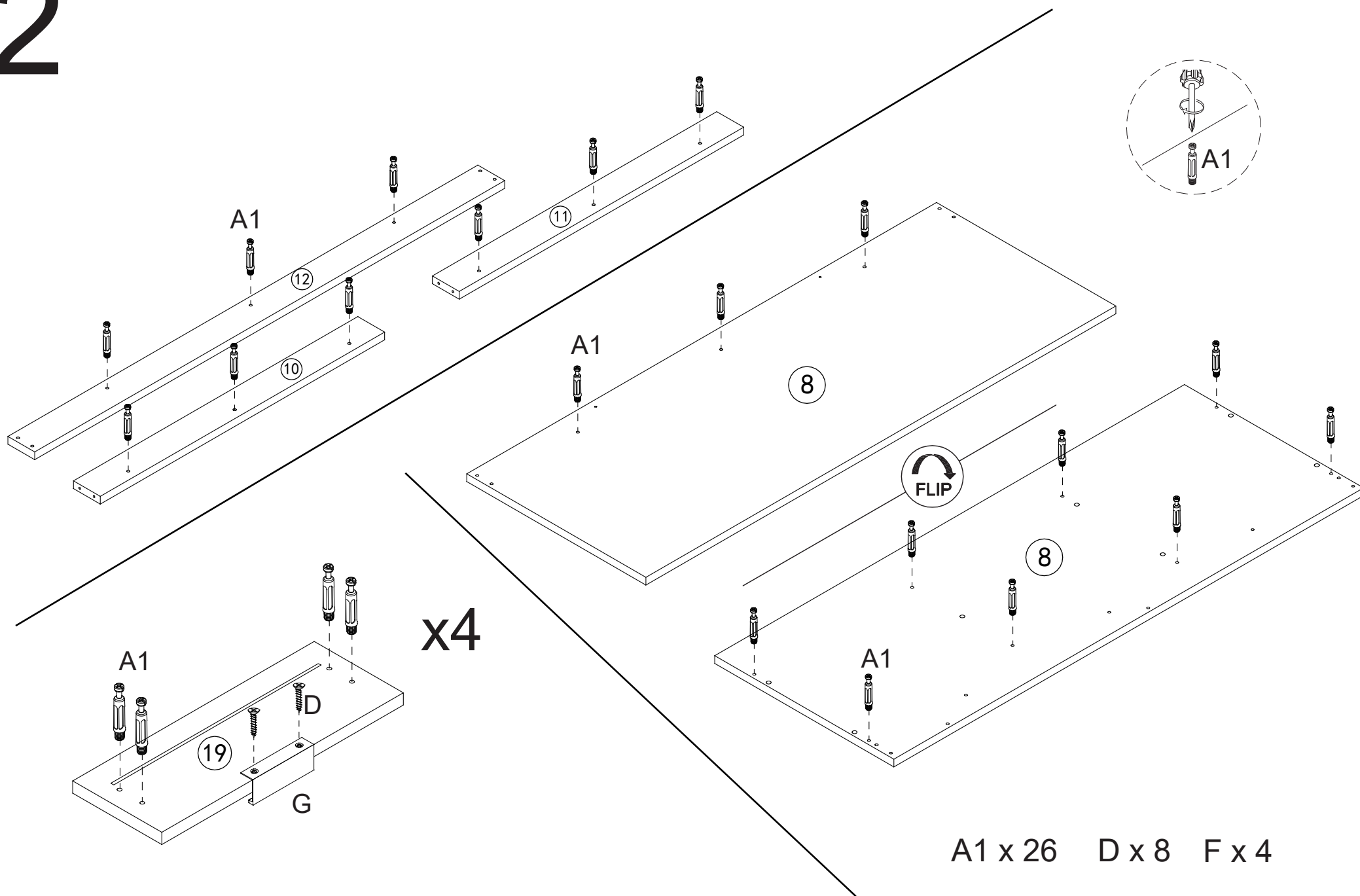
1

Release C2 from C1 by pressing the release catch as indicated.



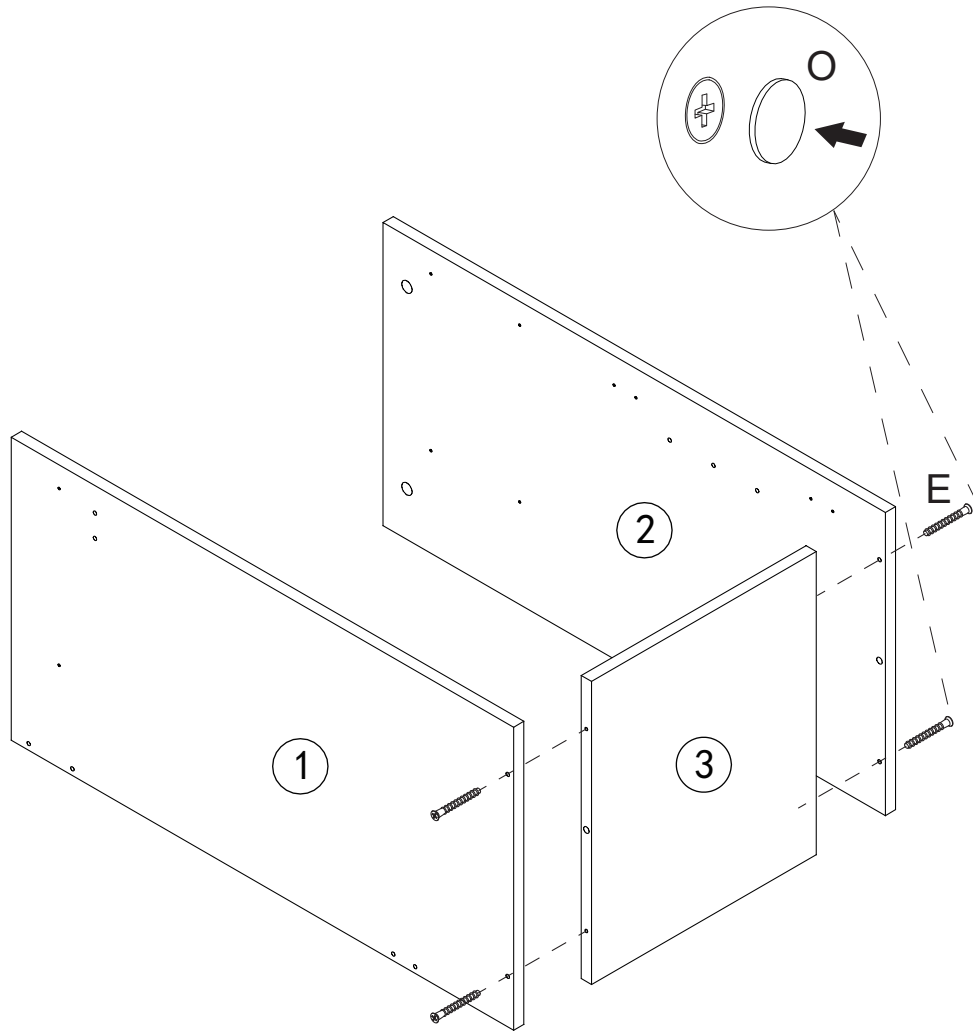
C1 x 5 D x 10

2

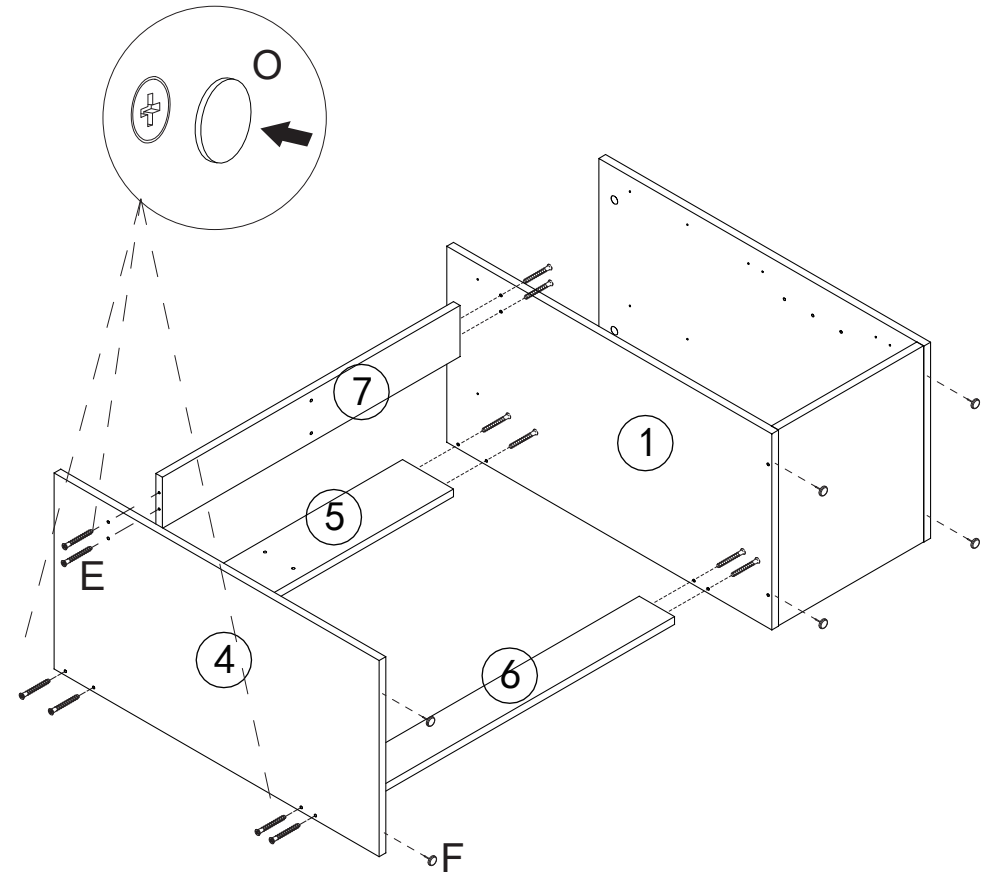


A1 x 26 D x 8 F x 4

3

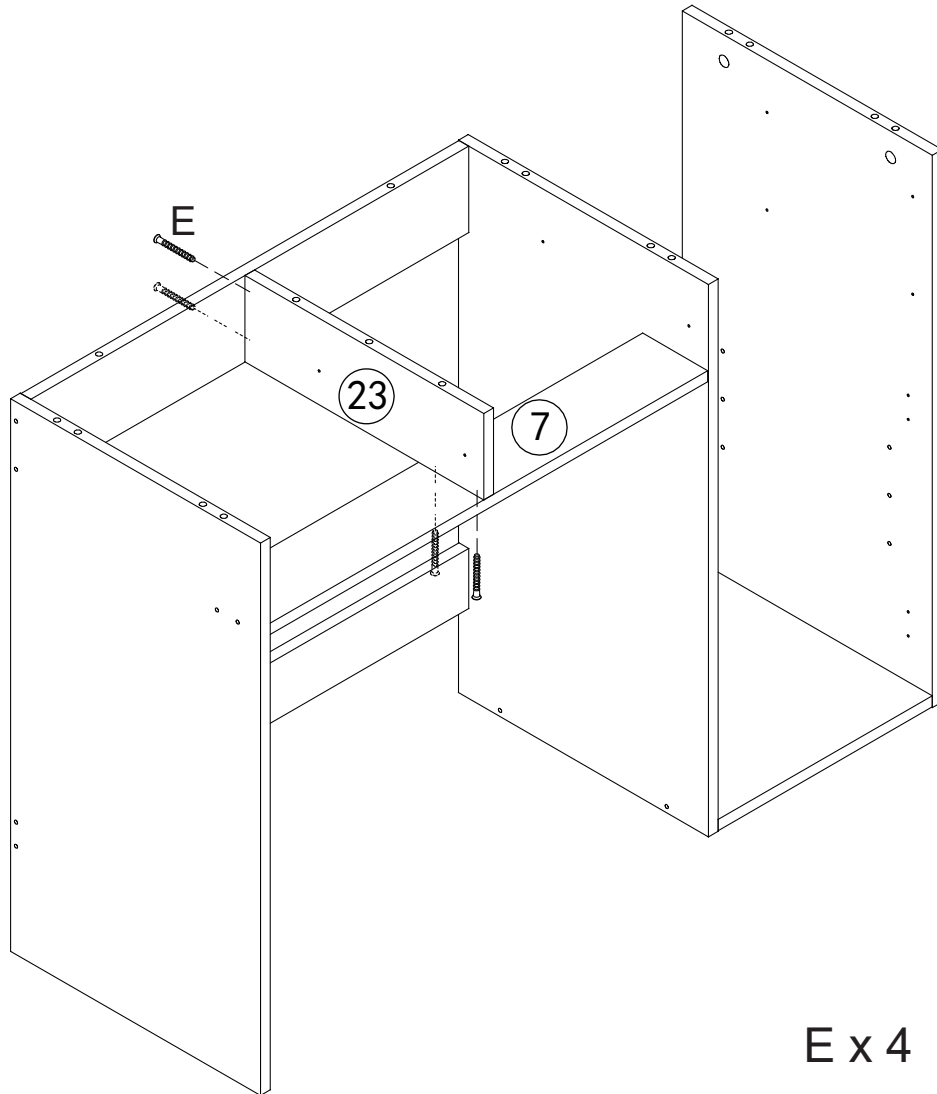
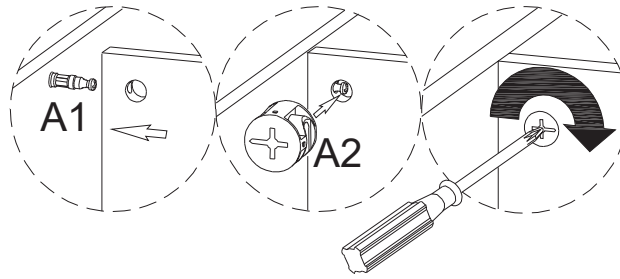


Ex 4 O x 4

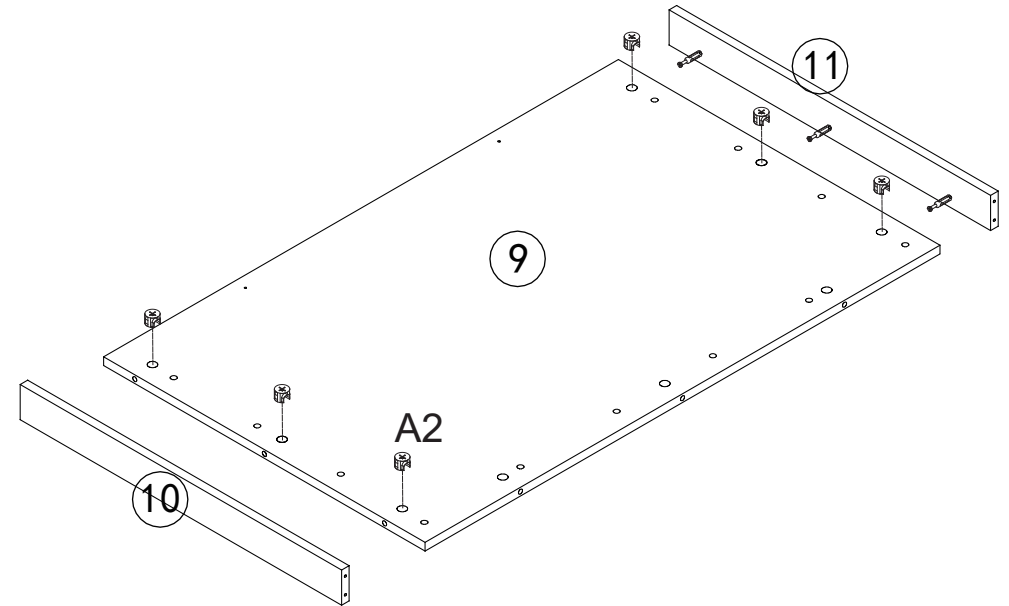


O x 6 Ex 12 F x 6

4

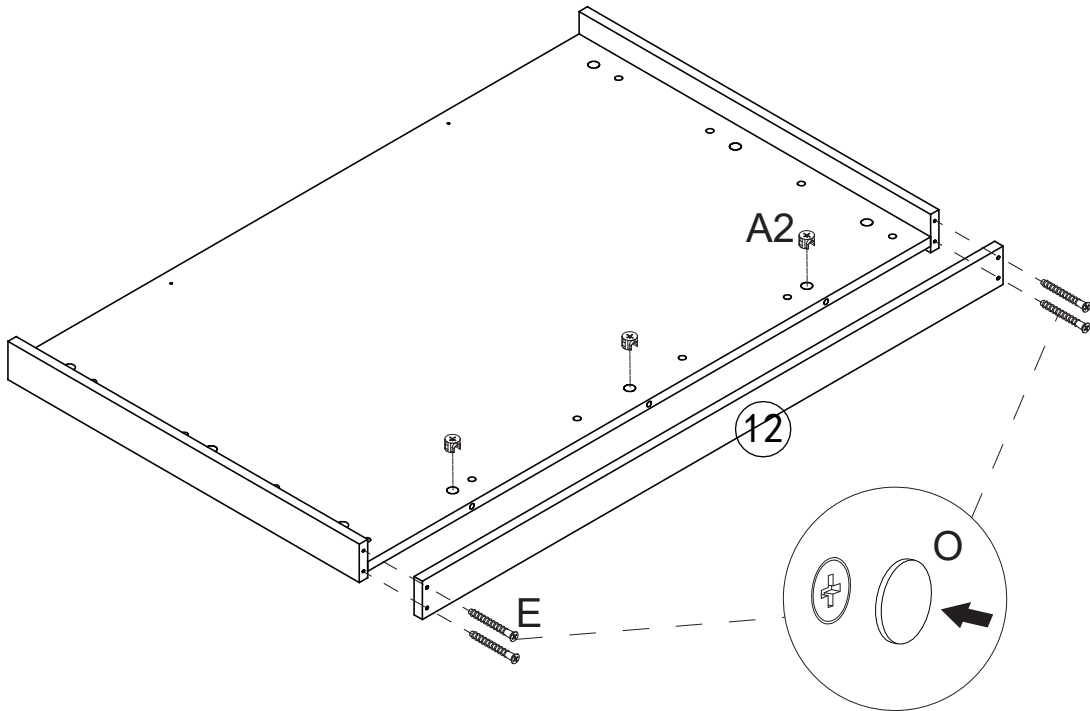
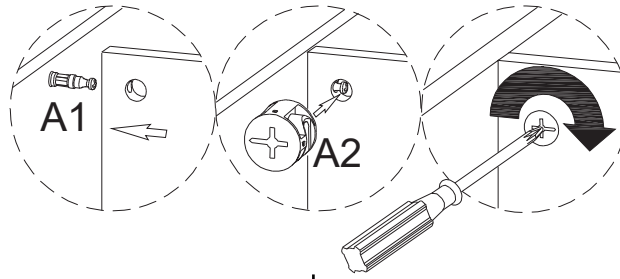


E x 4

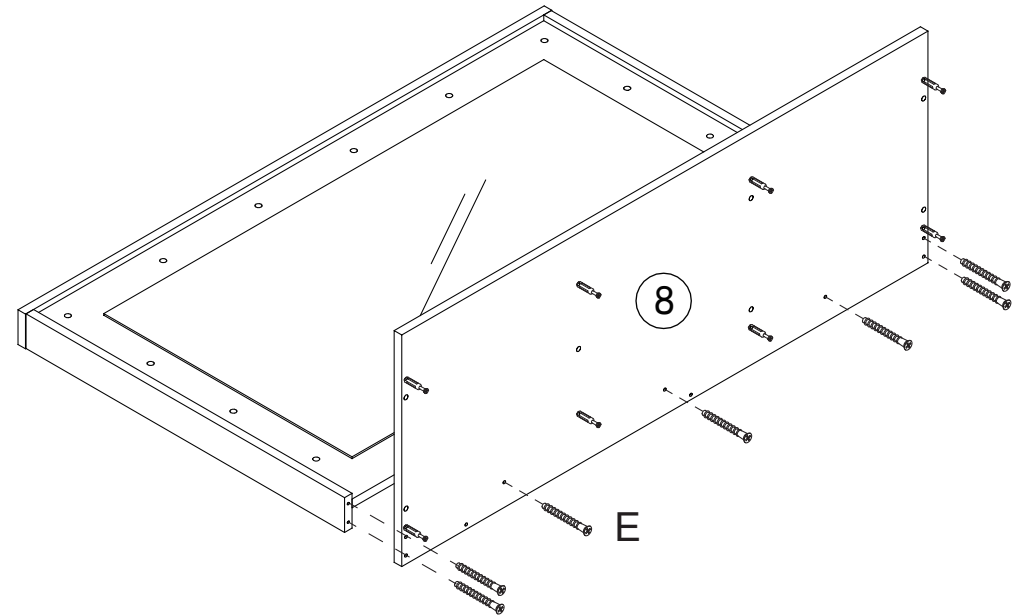


A2 x 6

5

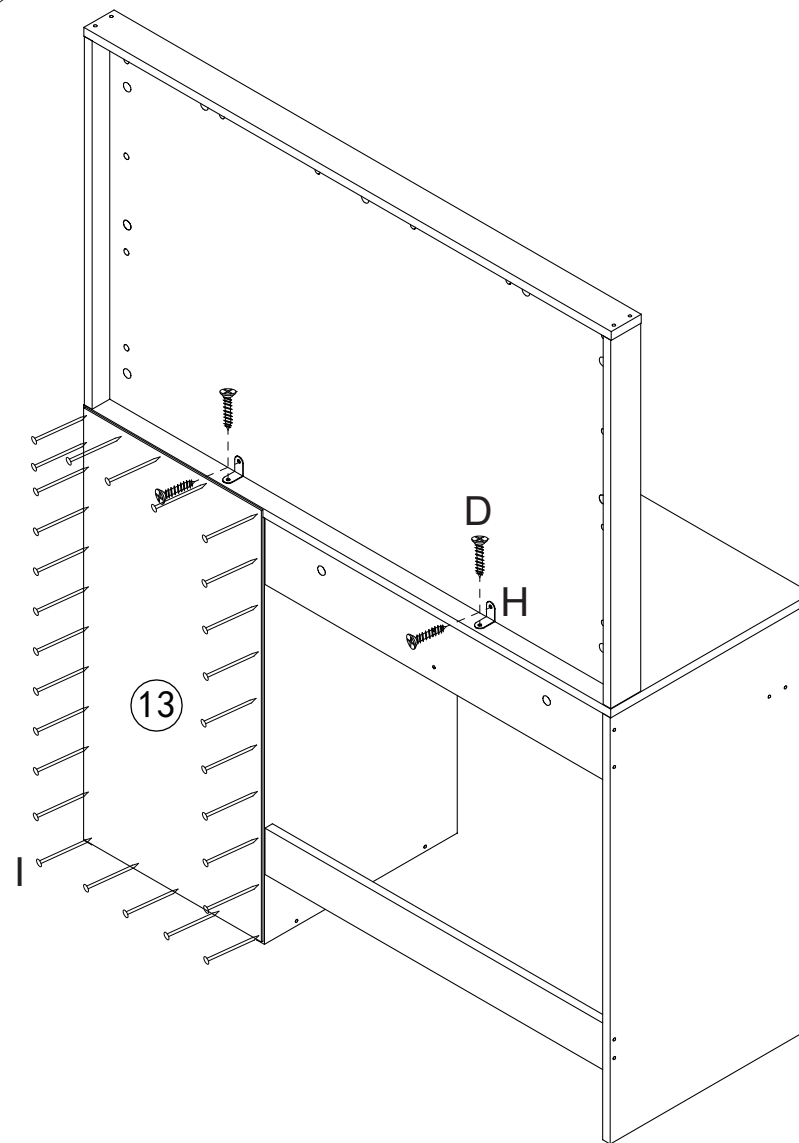
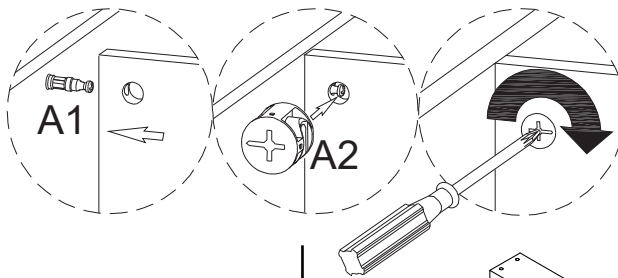
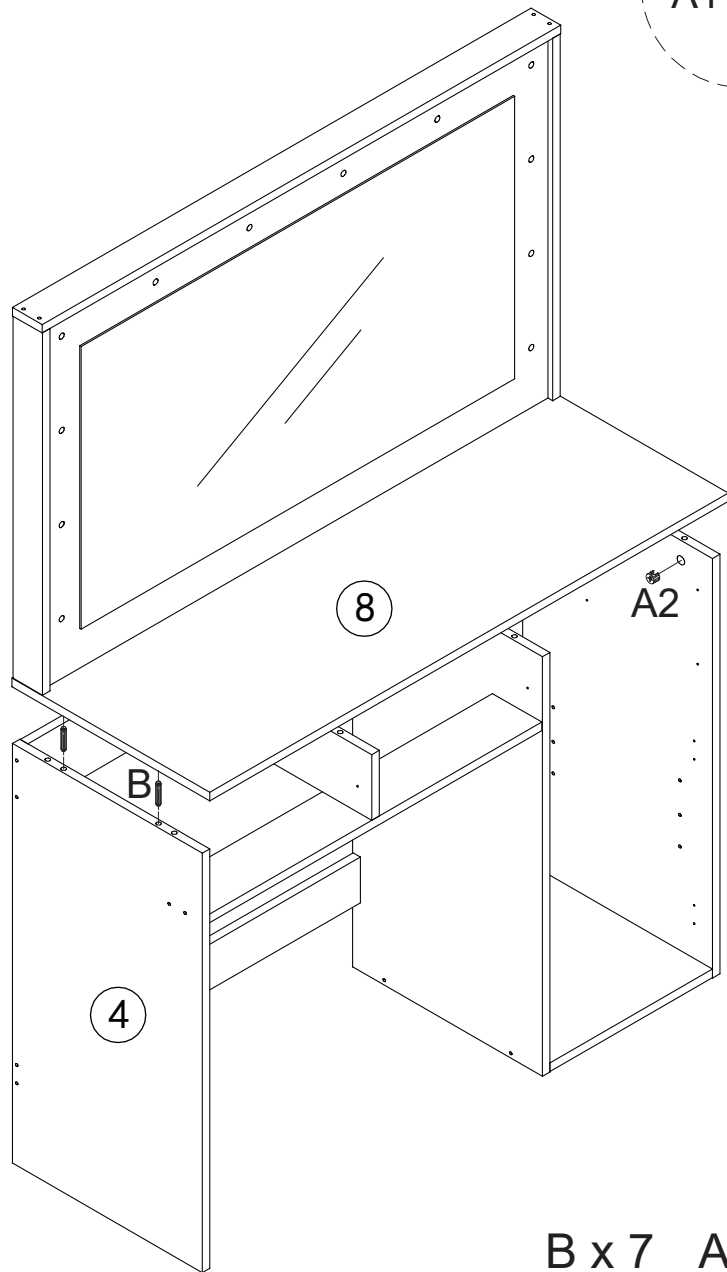


O x 4 E x 4 A2 x 6



E x 7

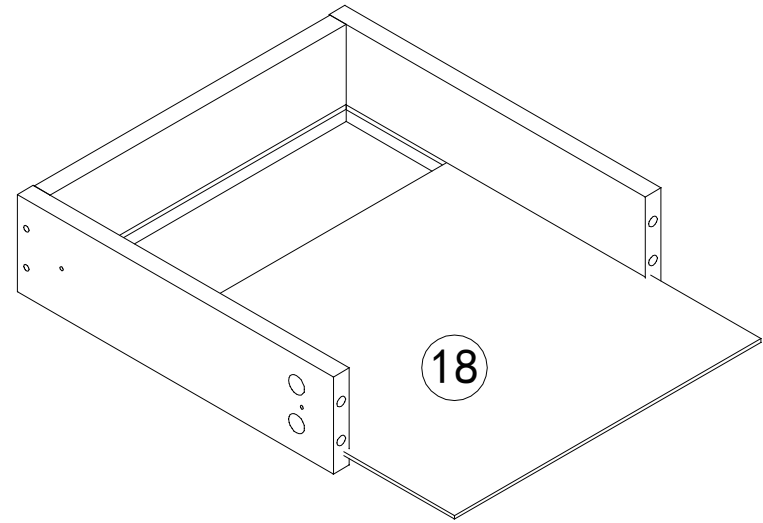
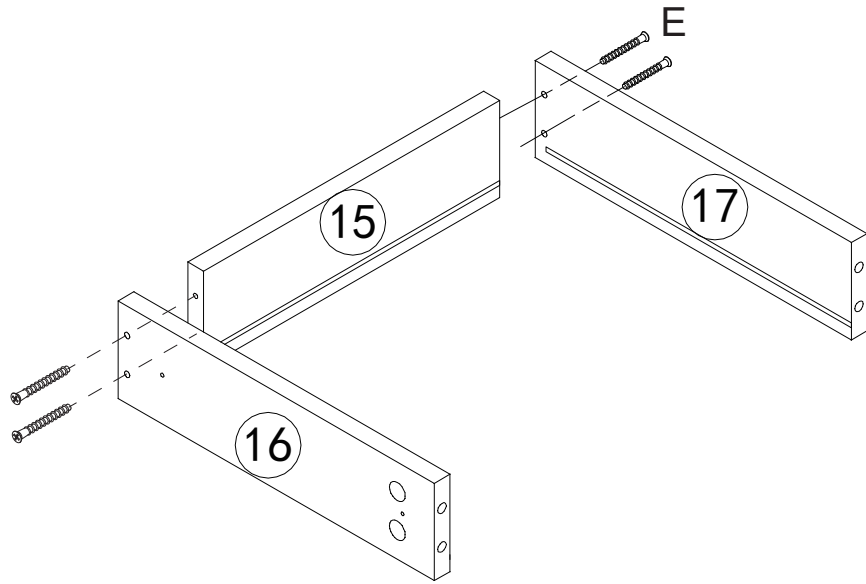
6



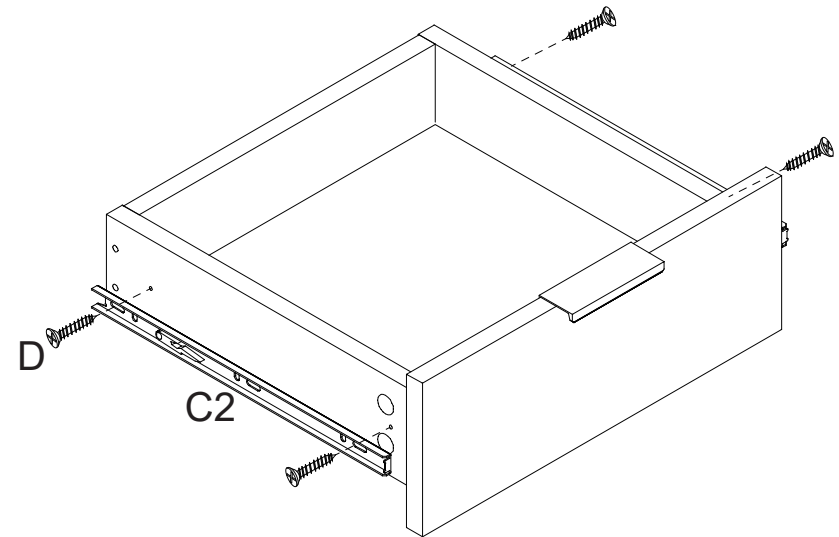
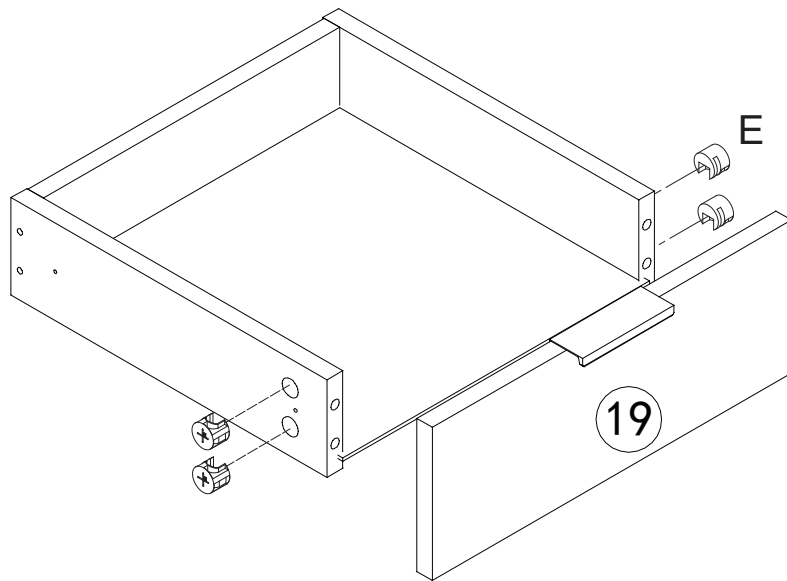
$B \times 7 \quad A2 \times 8$

$D \times 4 \quad H \times 2 \quad I \times 26$

7



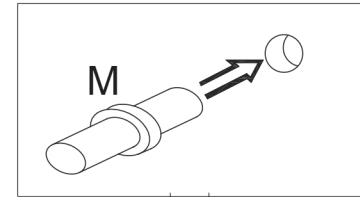
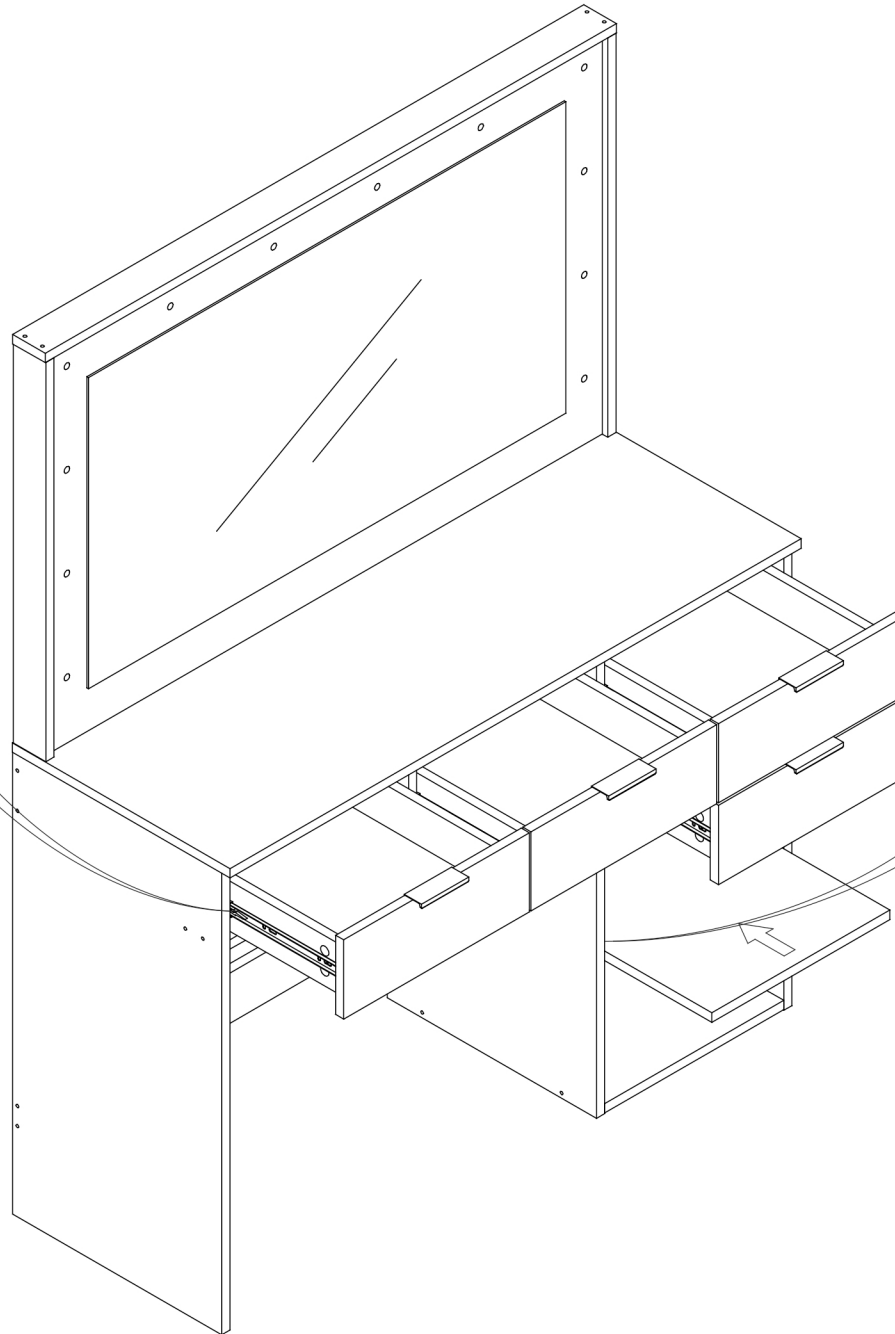
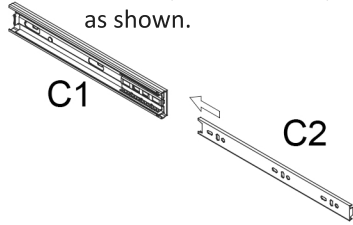
x4



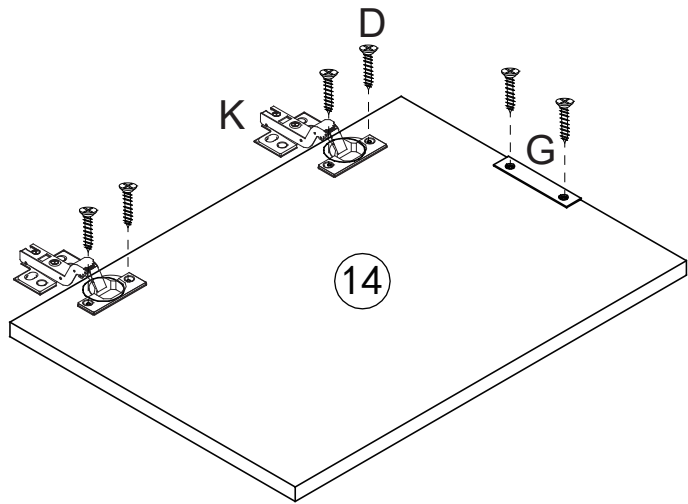
A2 x 16 E x 16 D x 16 C2 x 8

8

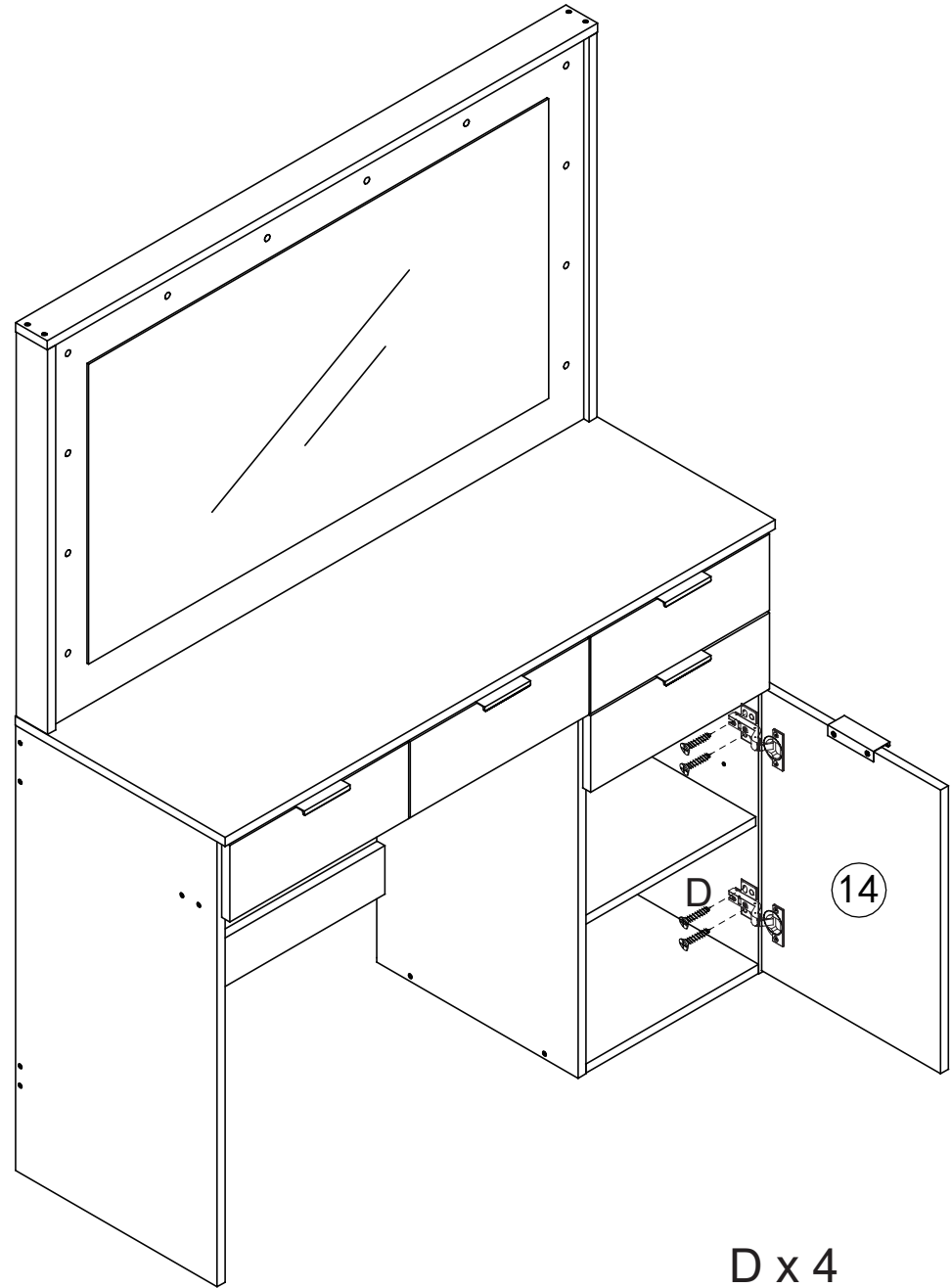
Slide C2 (affixed to drawer)
into C1 (affixed to unit)
as shown.



9



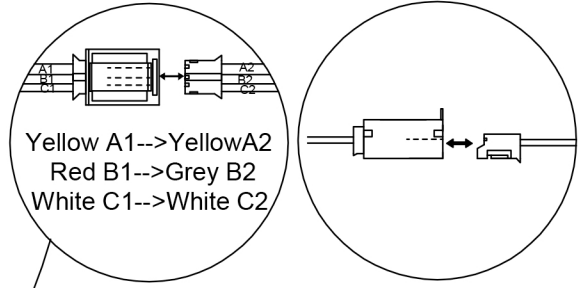
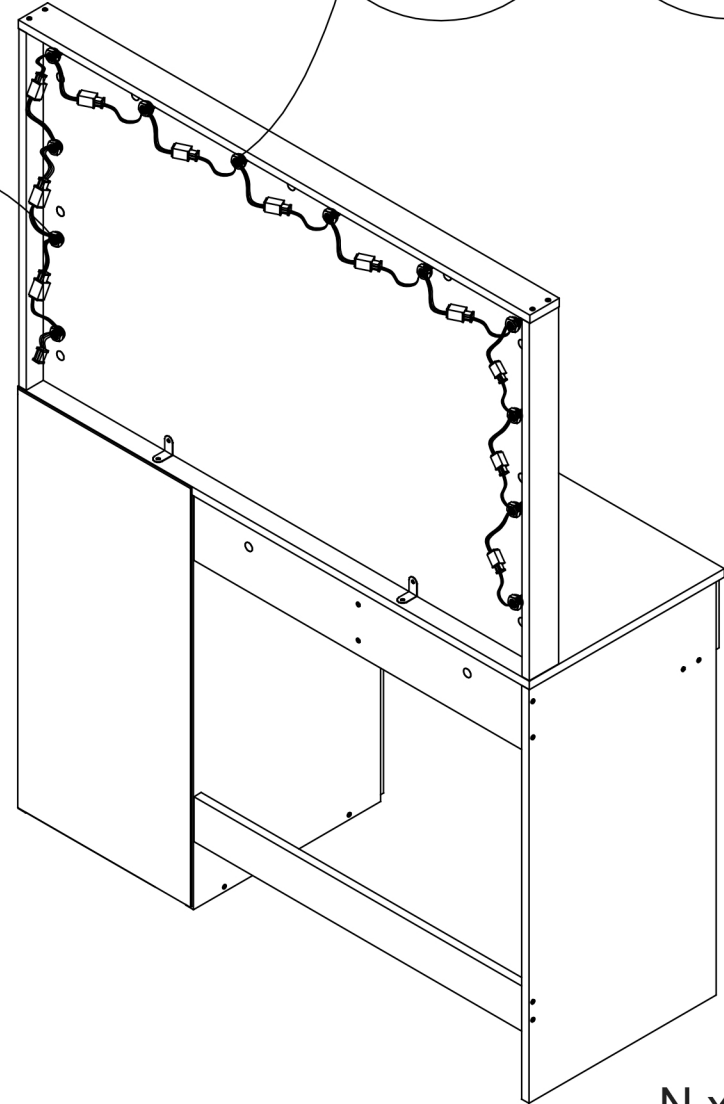
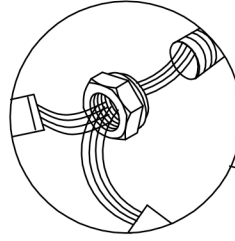
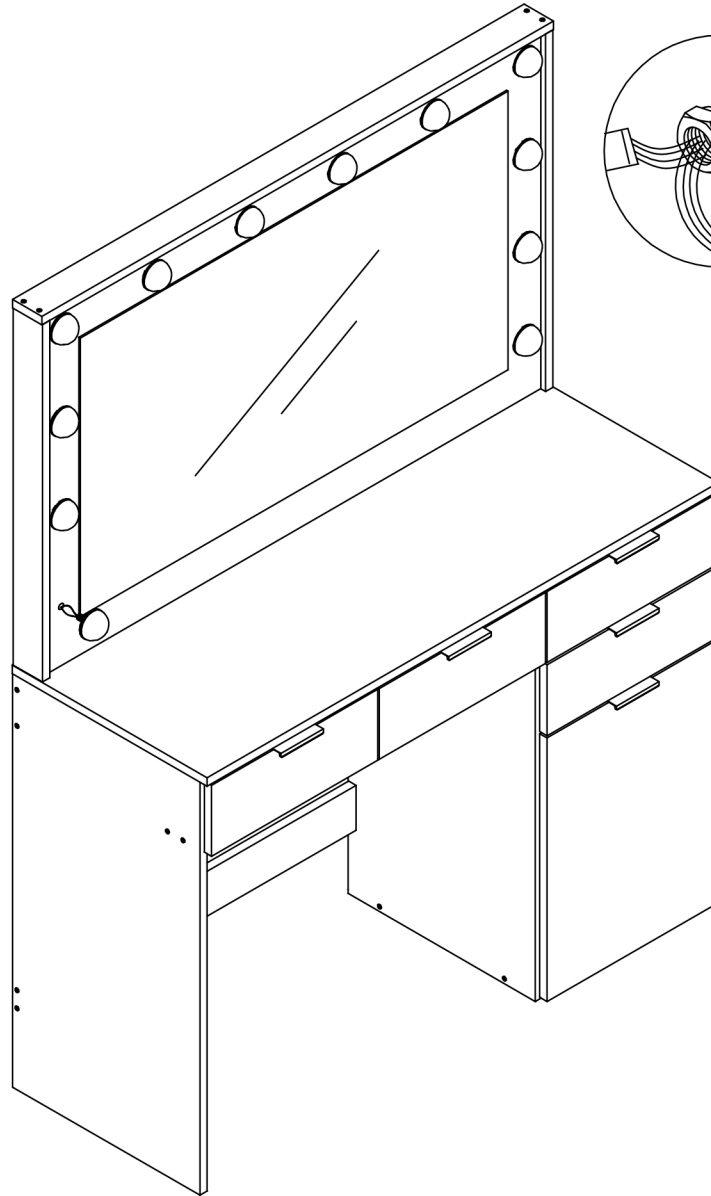
G x 1 D x 6 K x 2



D x 4

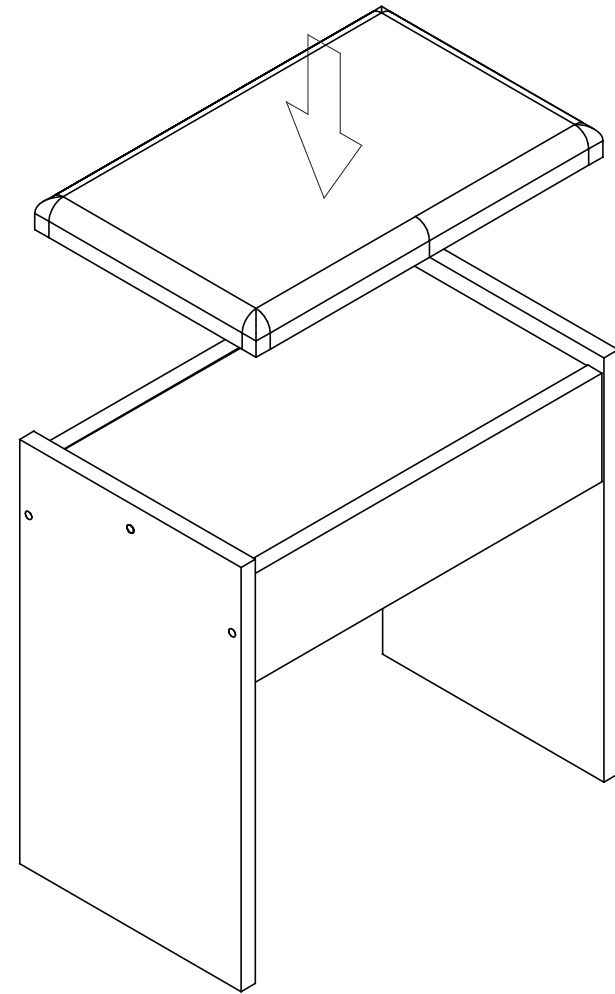
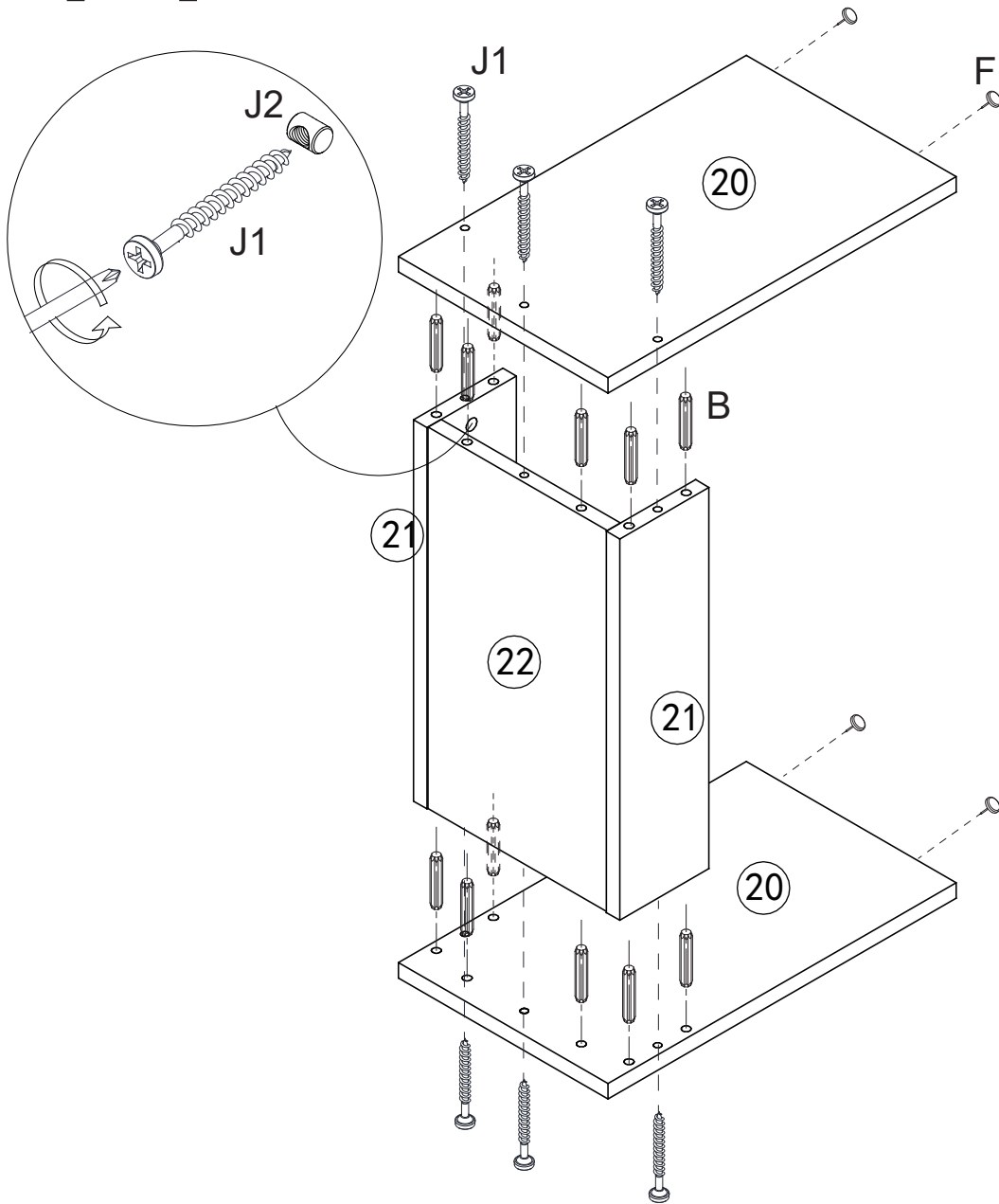
10

Connect the LED components N as shown.



N x 1

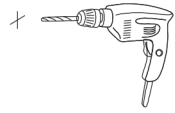
11



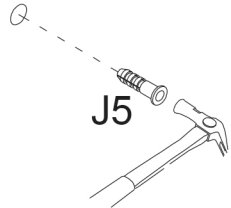
J x 6 B x 12 F x 4

12

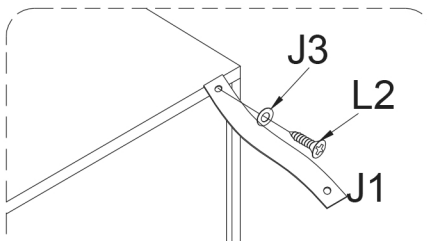
OPTIONAL



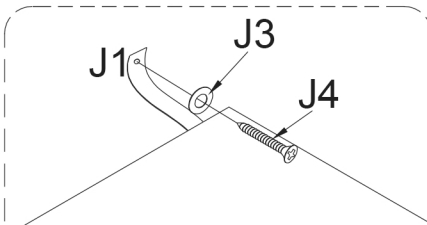
Pre-drill a hole in the wall.



Lightly tap J5 into the hole.



Attach J1 to the back of the dressing table using L2 and J3.



Secure J1 to the wall using J3 and J4.

