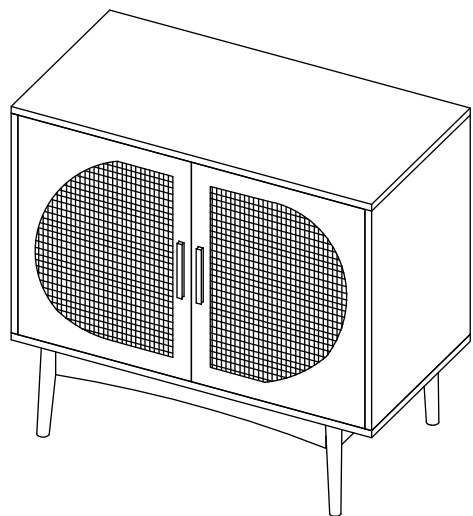


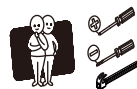
SIDEBORD

MODEL: SB-CHAM-2D-WD



ASSEMBLY INSTRUCTIONS

Please read instructions carefully before assembly.

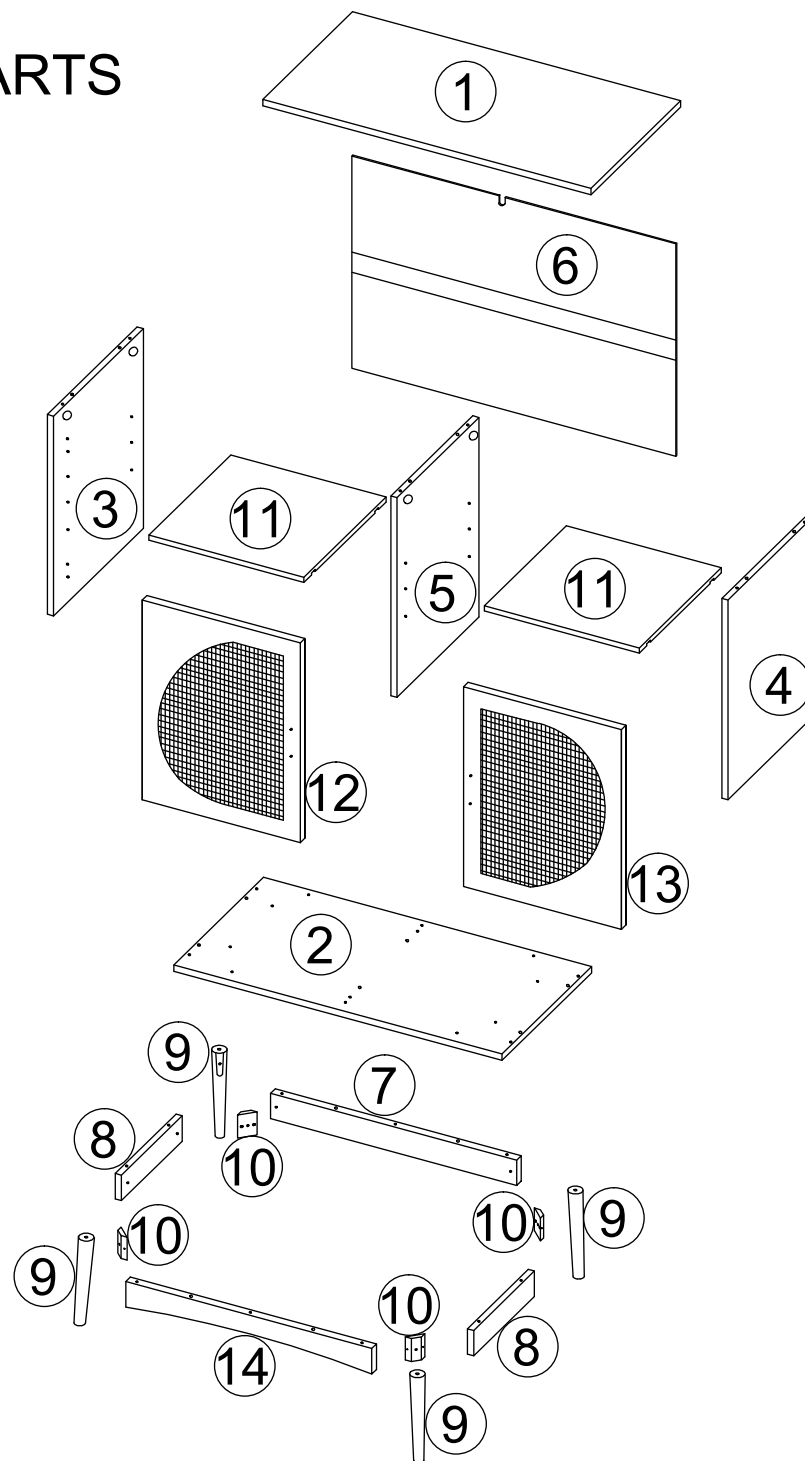


Two persons and tools required for assembly

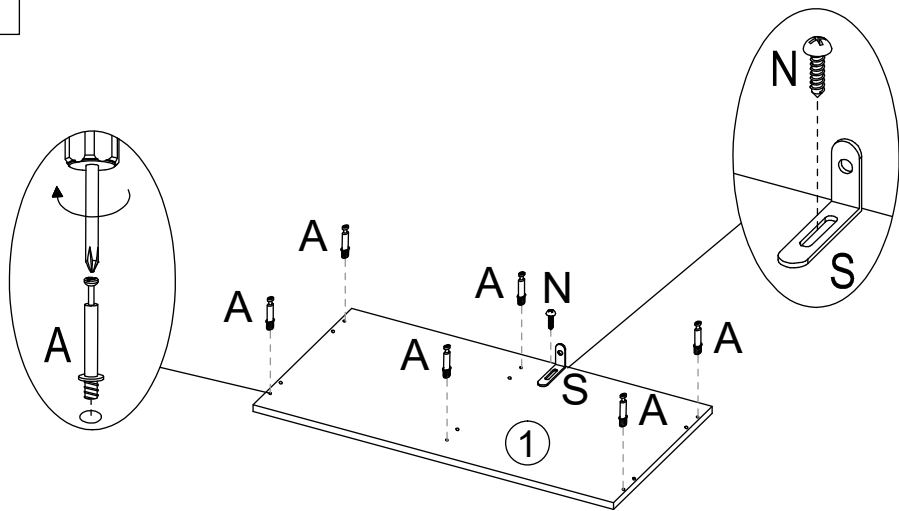
HARDWARE


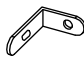

A	x6	B	x4	C	x16	D	x16	E	x8	F	x4
		15x12mm				M4x40mm					
G	x16	H	x1	I	x1	J	x4	K	x8	L	x4
M3.5x14mm		M4x30mm		M8		M4x25mm		M4x20mm			
M	x18	N	x1	O	x4	P	x1	Q	x4	R	x2
		M4x14mm		M8x60mm							
S	x1	T	x4	U	x2	V	x16	W	x4		
		12x10mm									

PARTS

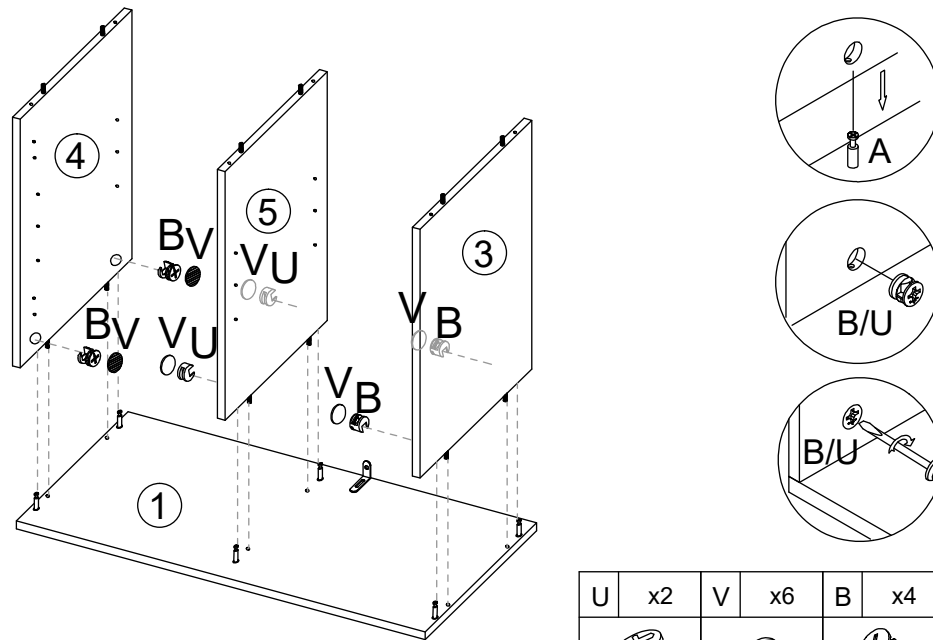





1

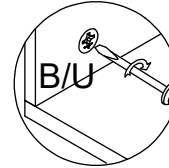
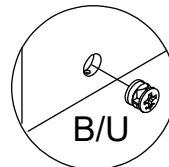
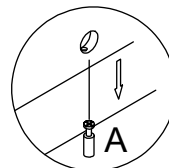


N	x1	S	x1	A	x6
					
M4x14mm					

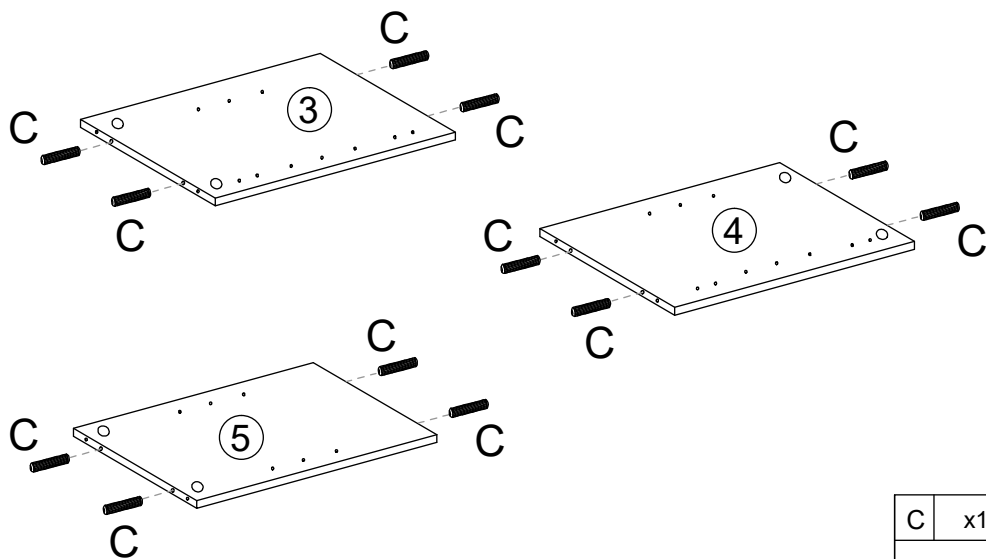
3




U	x2	V	x6	B	x4
					
12x10mm				15x12mm	

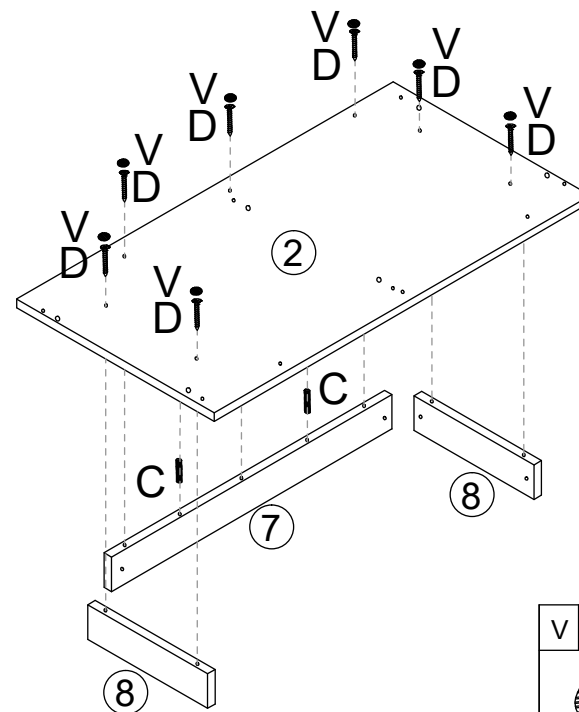




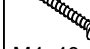
2



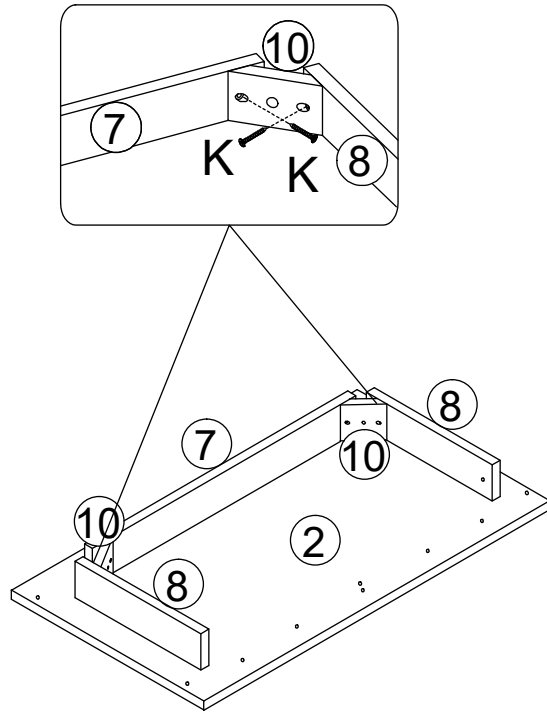
C	x12
	


4



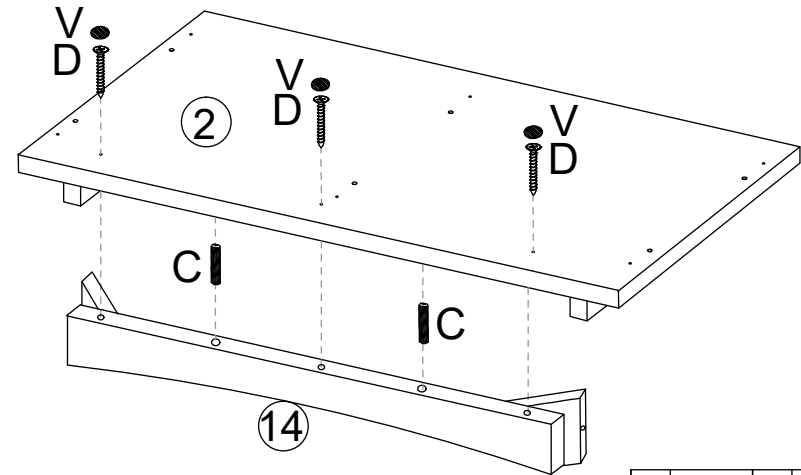
V	x7	C	x2	D	x7
					
				M4x40mm	




5



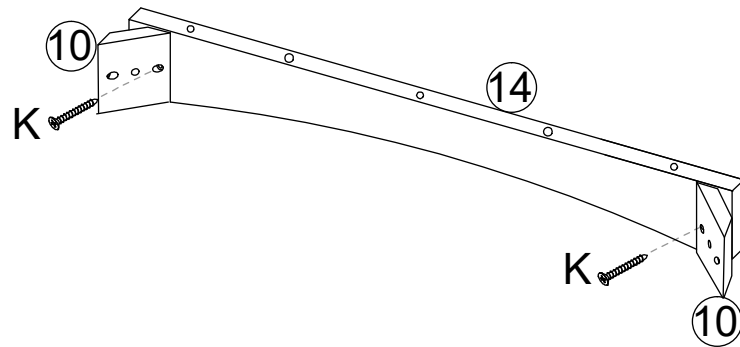
K	x4
	
M4x25mm	


7



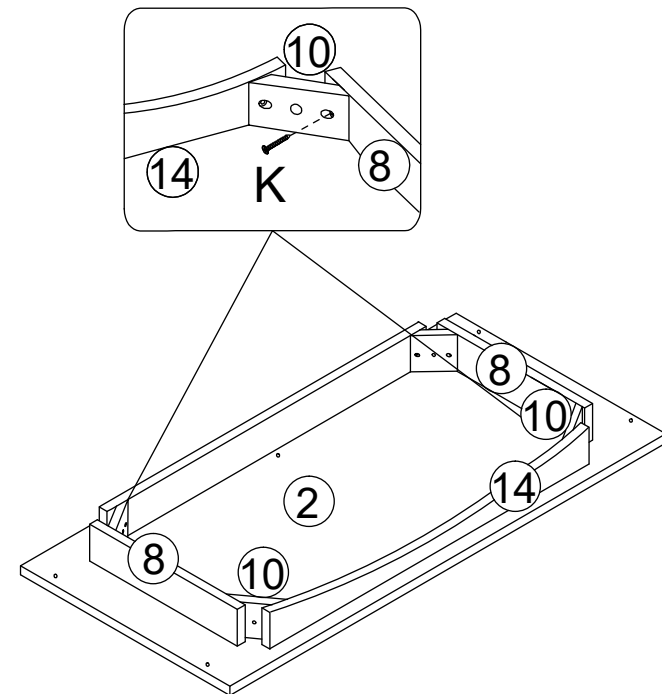
V	x7	C	x2	D	x3
					
				M4x40mm	


6



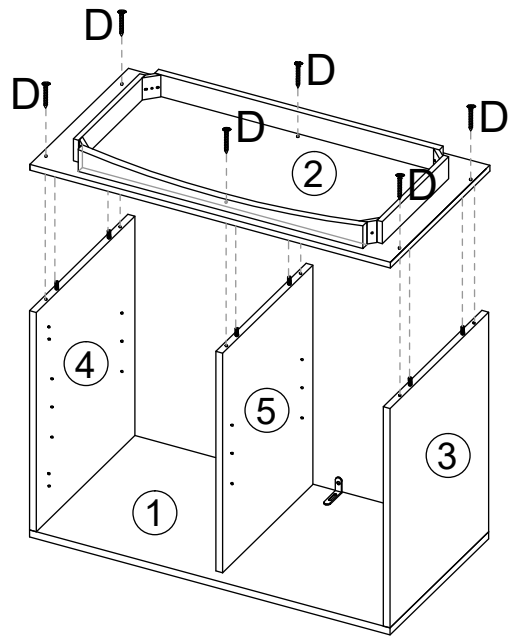
K	x2
	
M4x25mm	

8



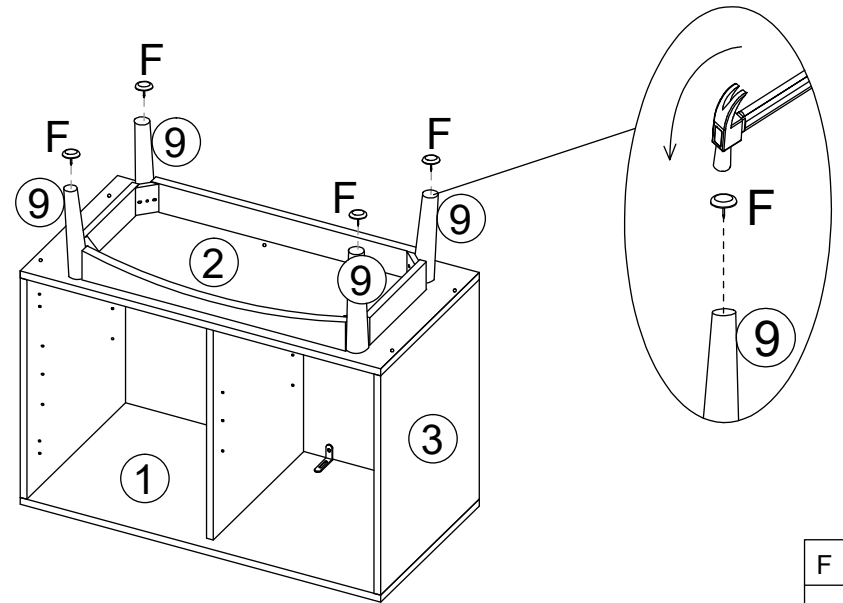
K	x2
	
M4x25mm	

9



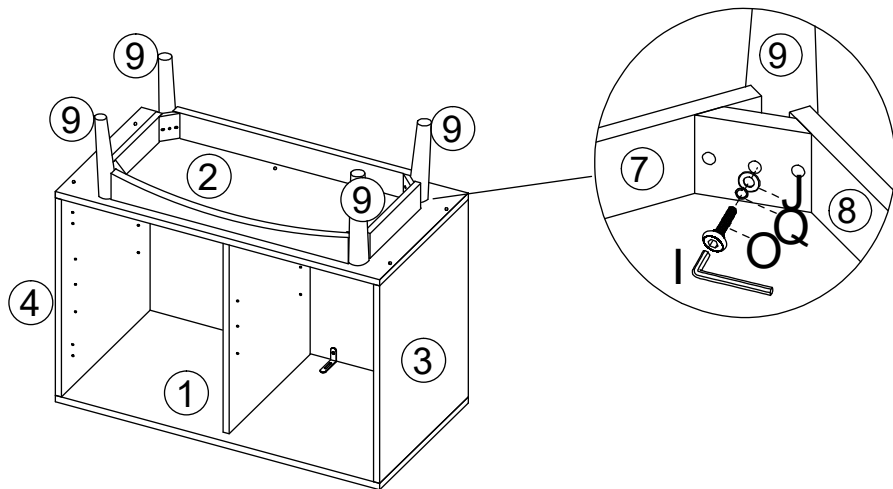
D	x6
M4x40mm	

11



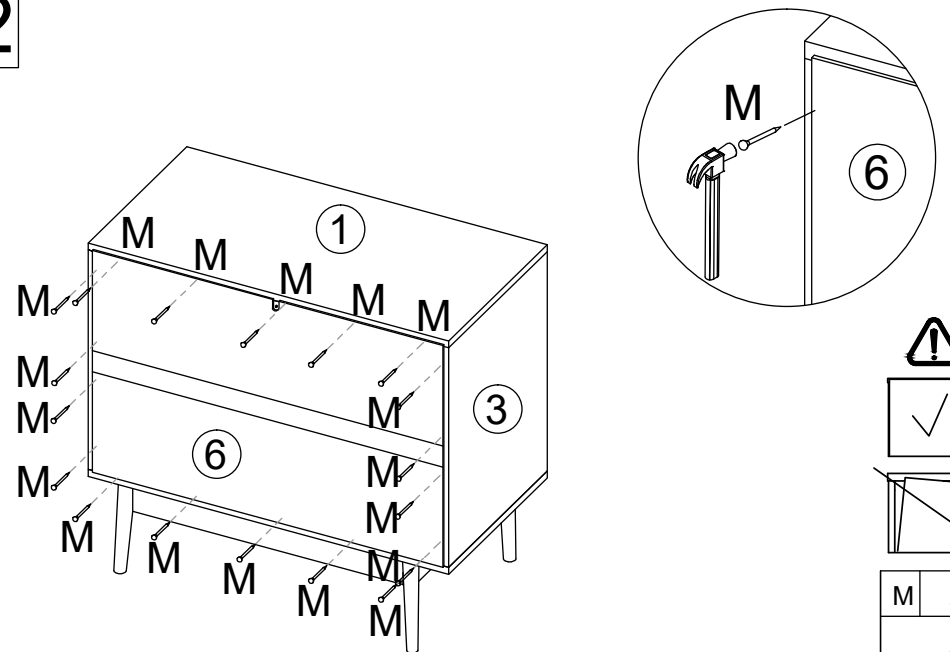
F	x4

10



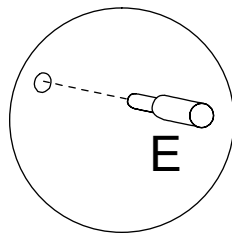
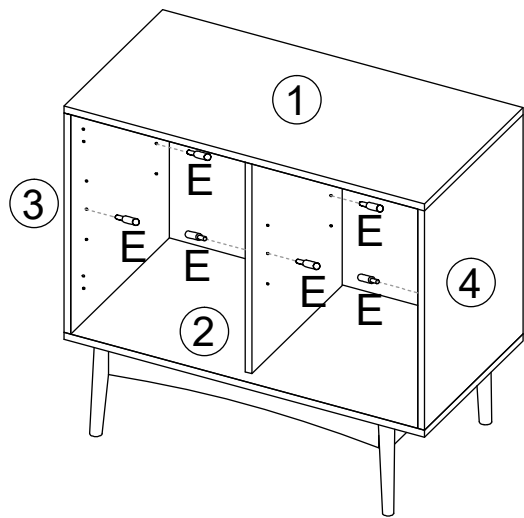
I	x1	J	x4	O	x4	Q	x4
M8				M8x60mm			


12



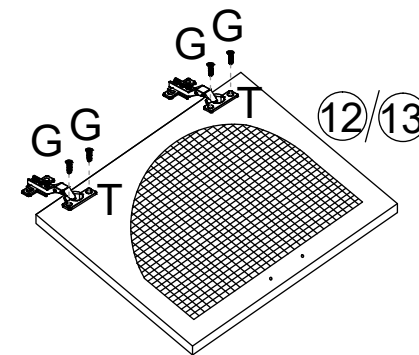
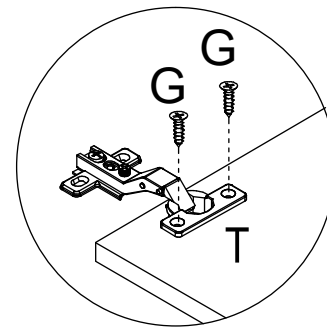
M	x18



13



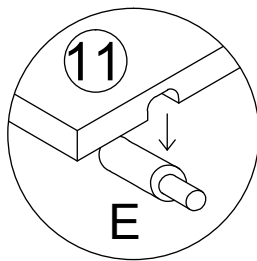
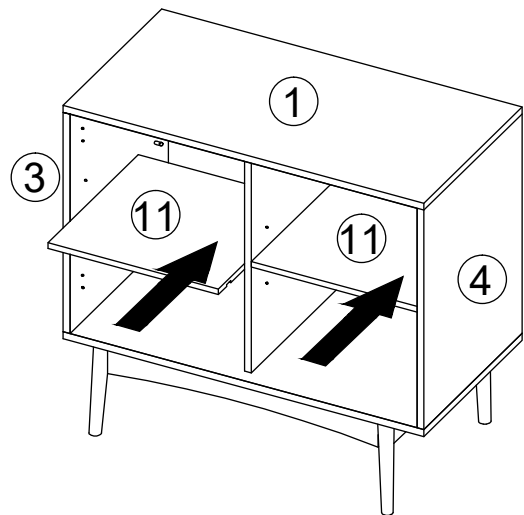
E	x8
	

15

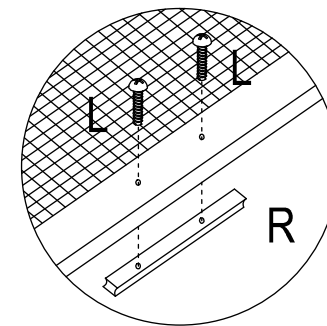
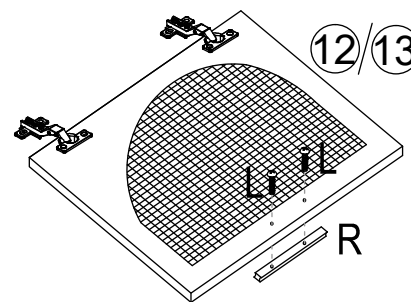




T	x4	G	x8
			
		3.5x14mm	

14

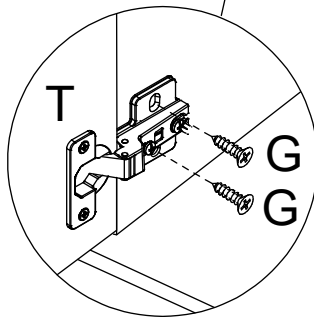
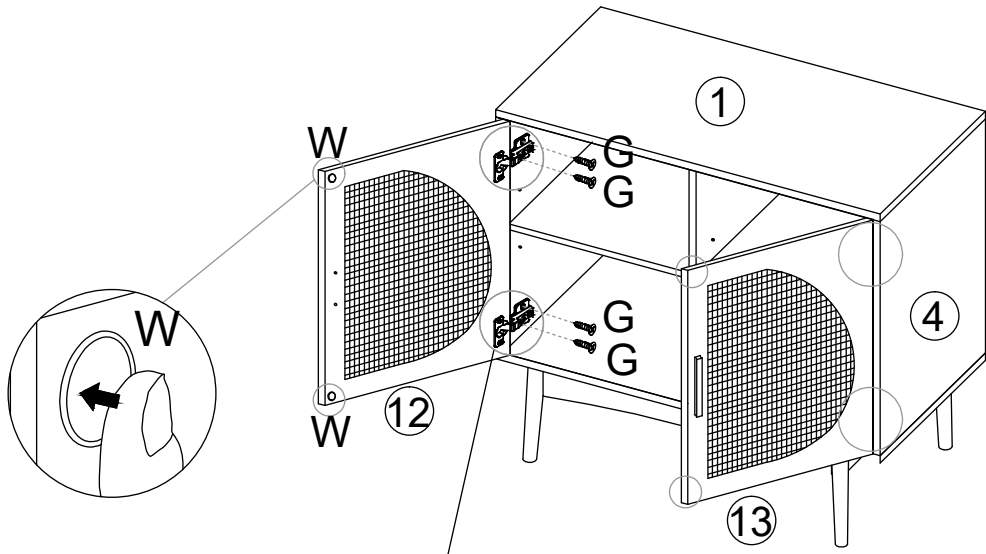
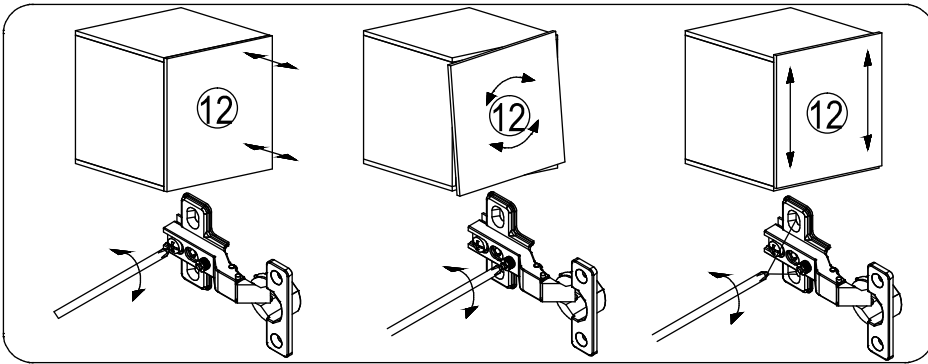


16



R	x2	L	x4
			
		M4x20mm	

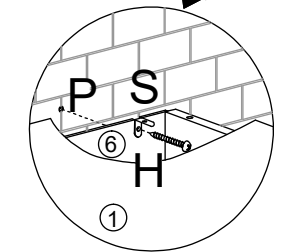
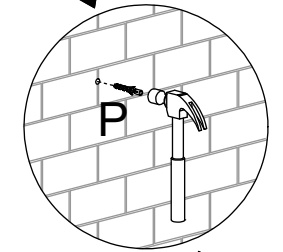
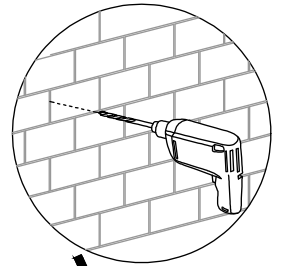
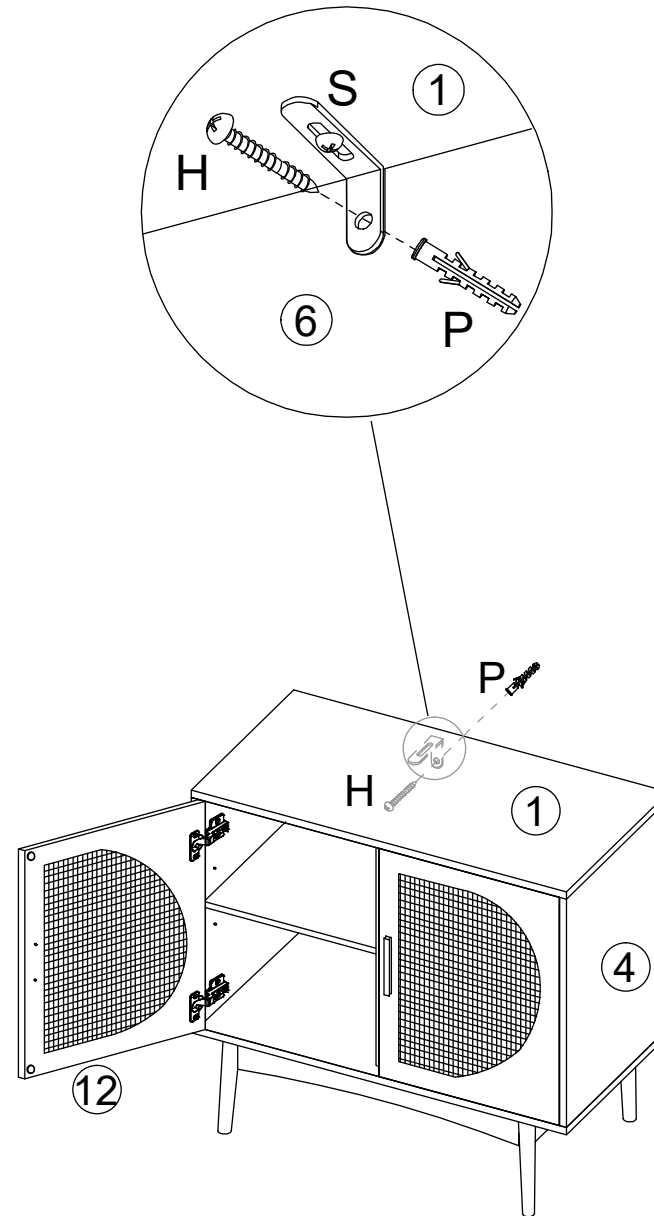
17



W	x4	G	x8
		3.5x14mm	

18

Pre-drilled hole at wall



H	x1	P	x1
M4x30mm			