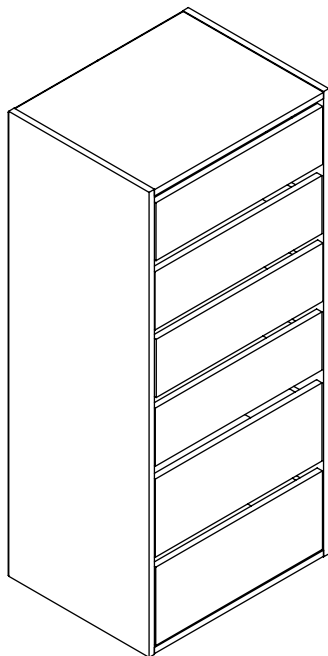




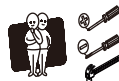
WARDROBE

MODEL:WA-MEXI-CD6-WH-A/B



ASSEMBLY INSTRUCTIONS

Please read instructions carefully before assembly.



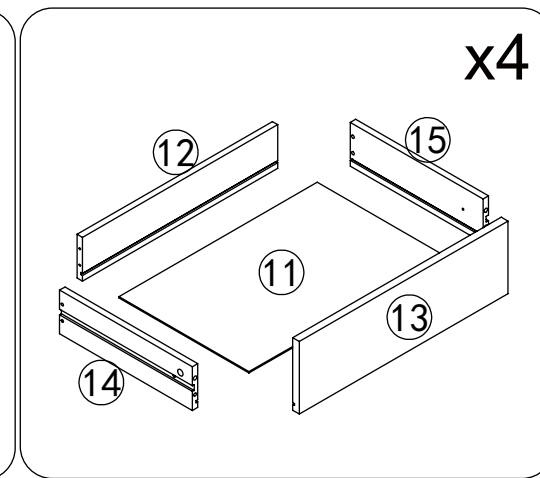
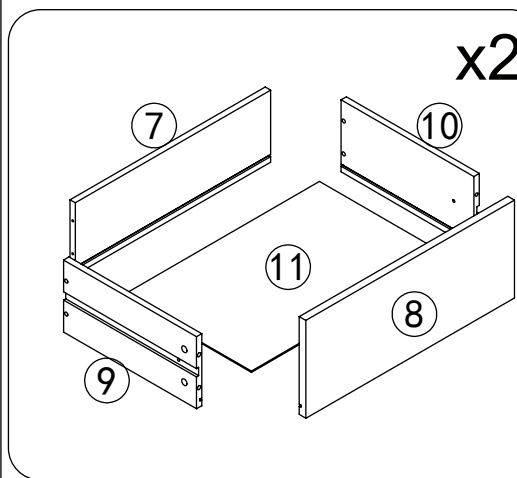
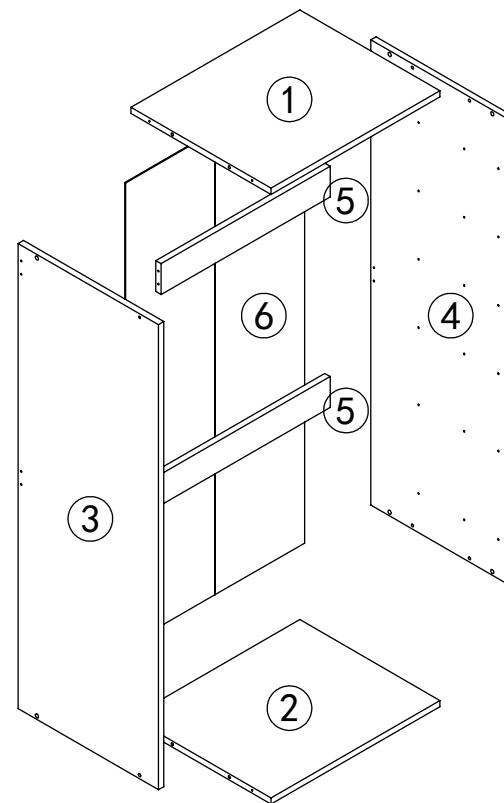
Two persons and tools required for assembly

HARDWARE

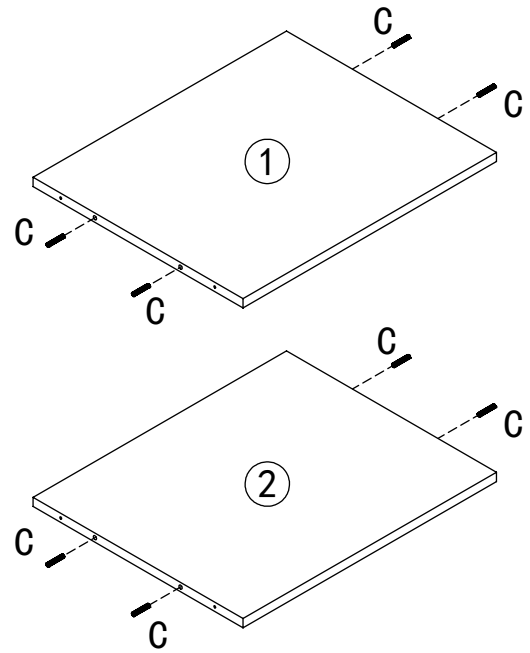
A	x16	B	x16	C	x18	D	x42	E	x16	F	x24	G	x12
7x35mm	12x10mm	Ø6x30mm	M4x40mm		M3.5x12mm								
H	x36	I	x12	J	x16	K	x4	L	x18	M	x2	N	x2
M3x12mm	M4x11mm					M4x30mm							
O	x2												
M4x14mm													

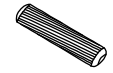
PARTS

Wipe with dry cloths

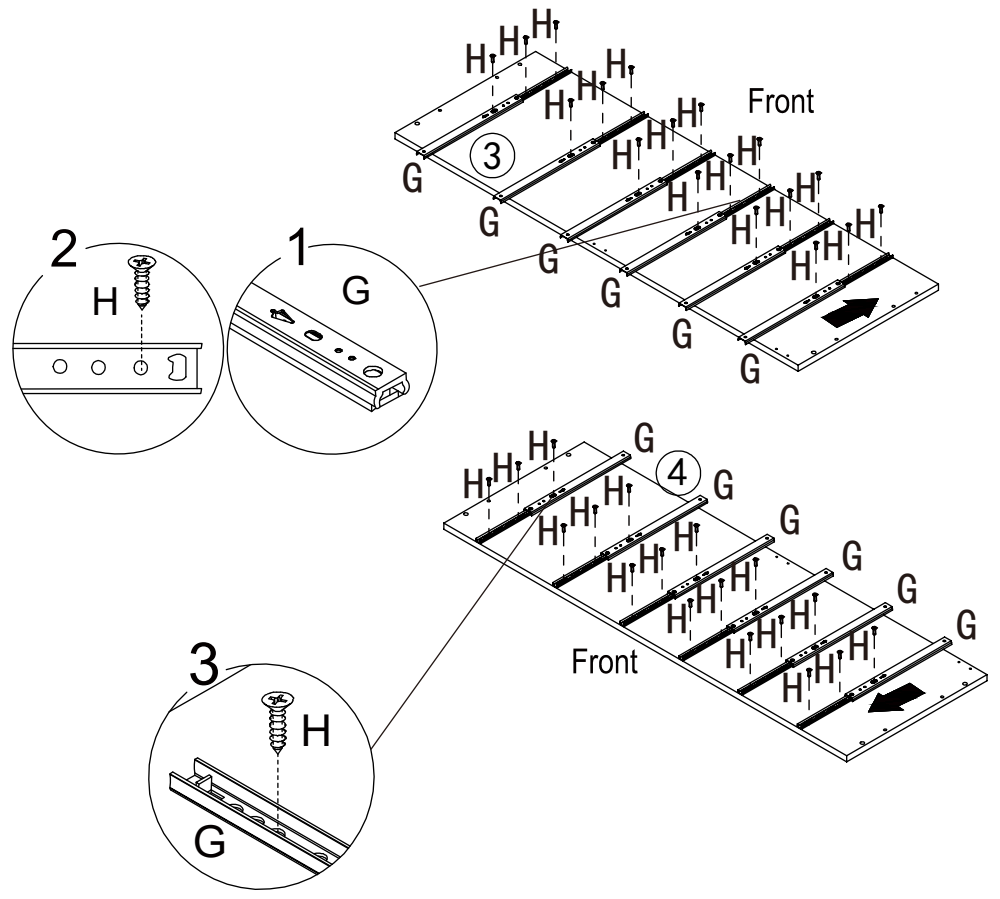


1

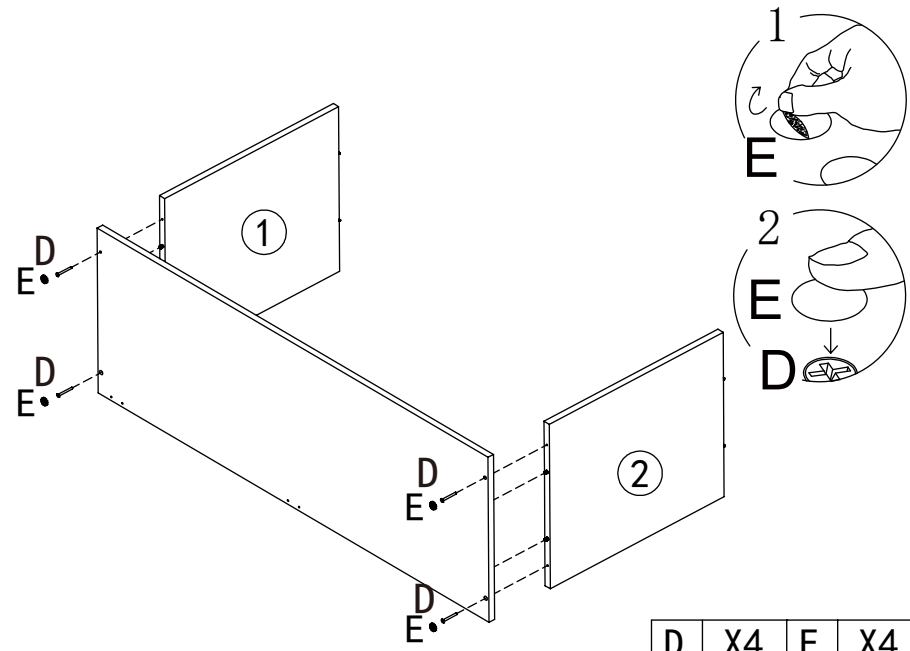




C	X8
	Ø6x30mm

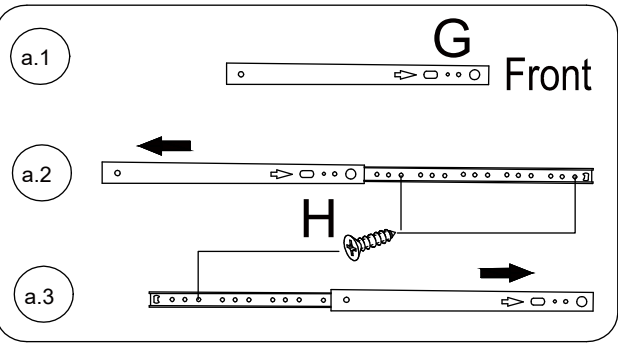
2





3

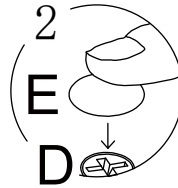
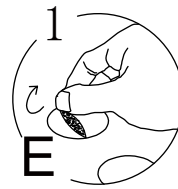
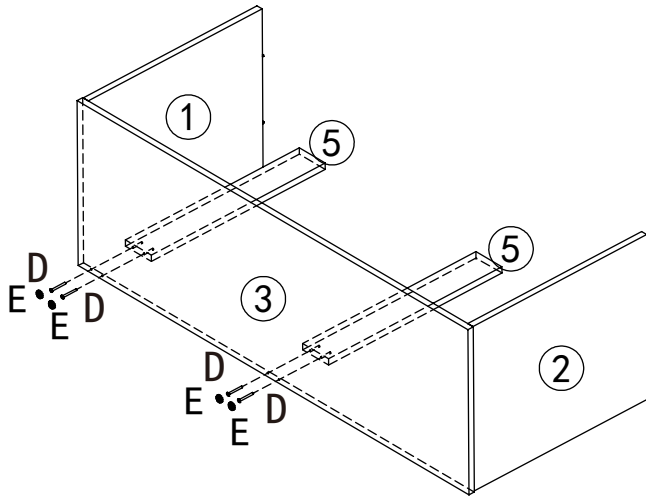




D	X4	E	X4
	M4x40mm		



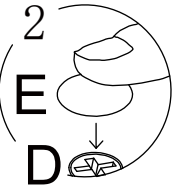
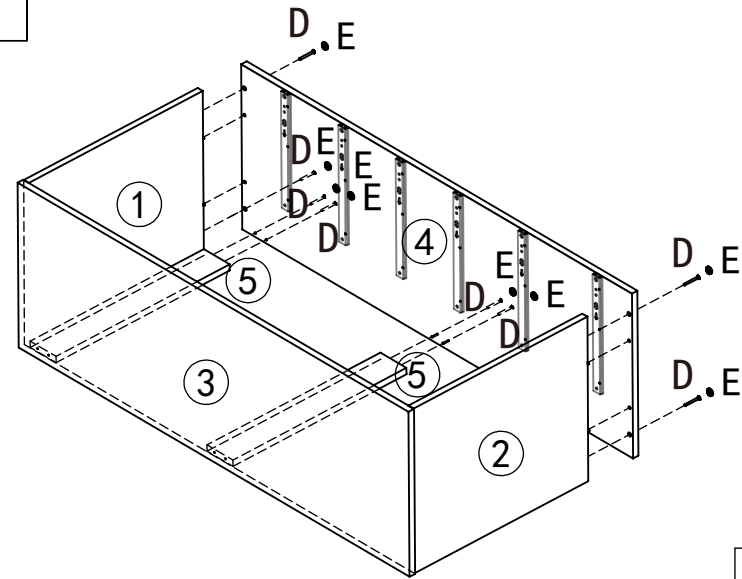
H	X36	G	X12
	M3x12mm		



4



D	X4	E	X4
			
M4x40mm			

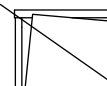
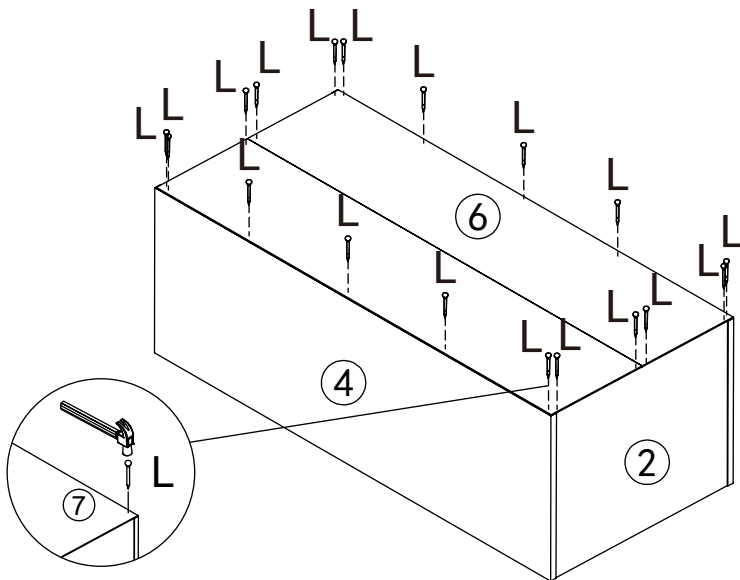
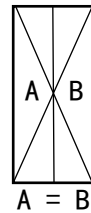
5



D	X8	E	X8
			
M4x40mm			

6

Ensure the diagonal of section A is equal to the section B.

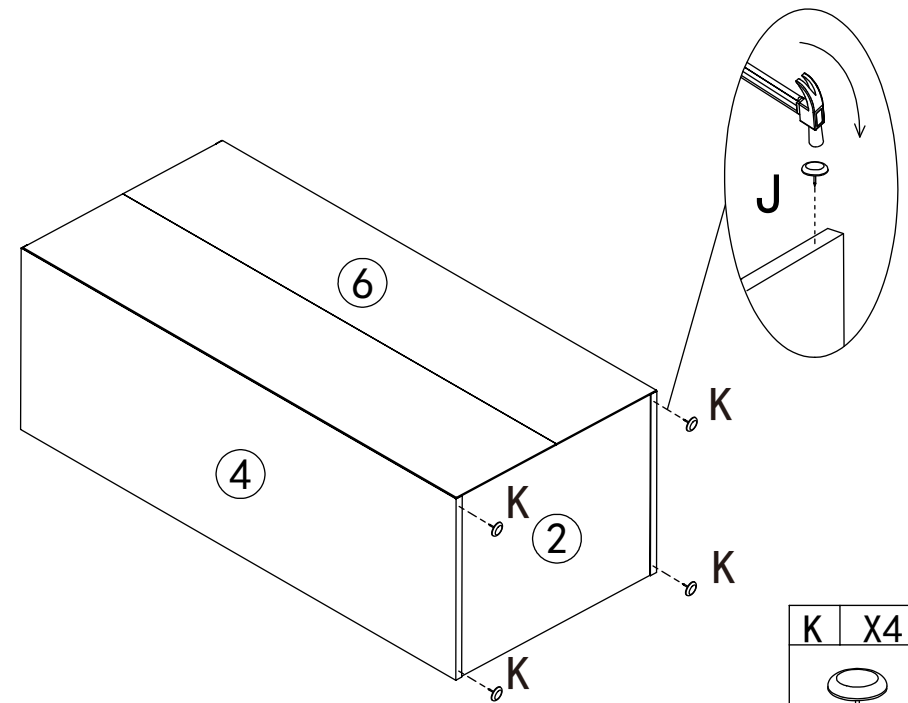


rear panels

L	X18
---	-----



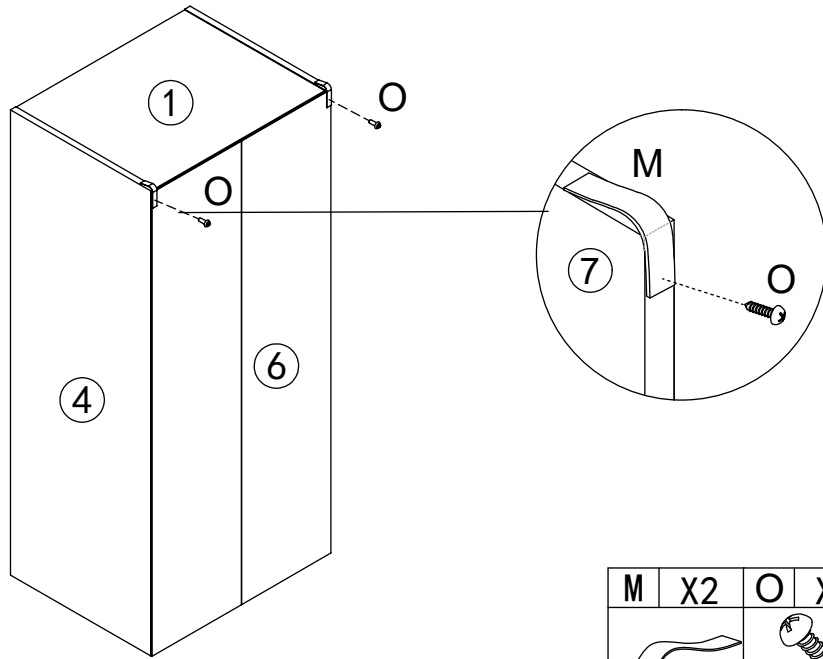
7



K	X4
---	----



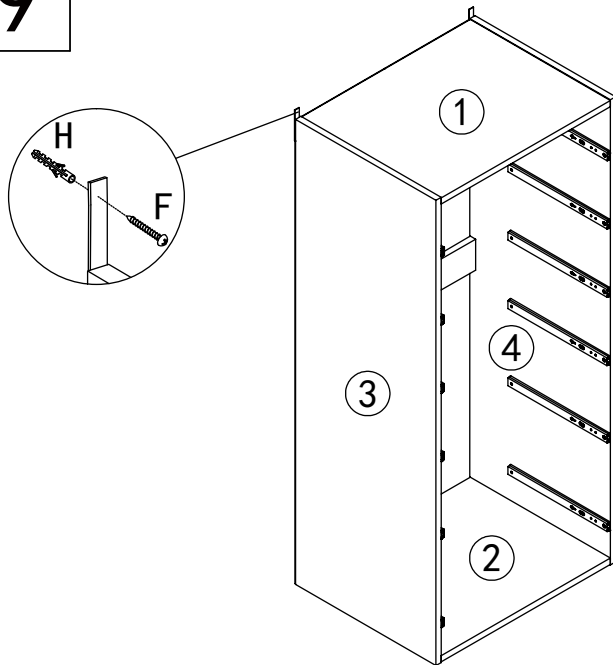
8



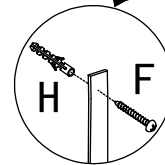
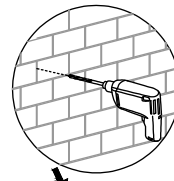
M	X2	O	X2
M4x14mm			

Pre-drilled hole at wall

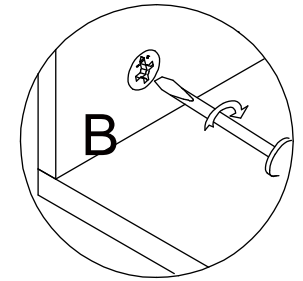
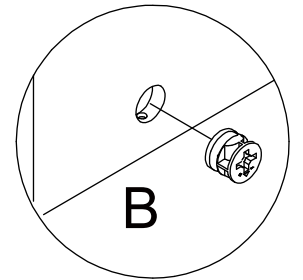
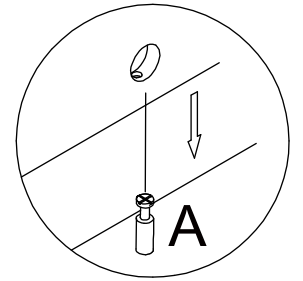
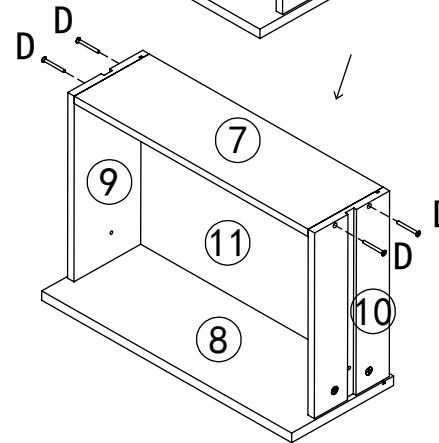
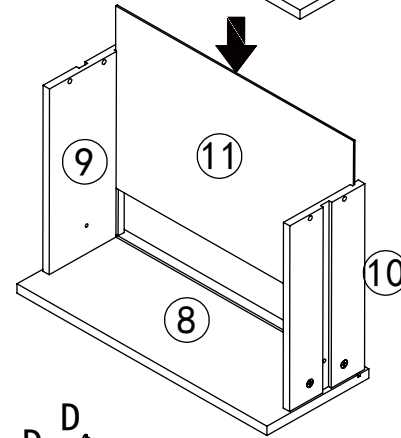
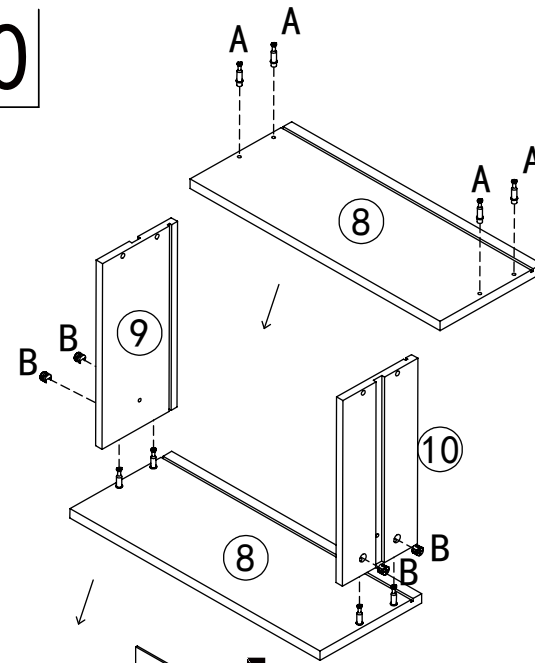
9



H	X2	F	X2
M4x30mm			



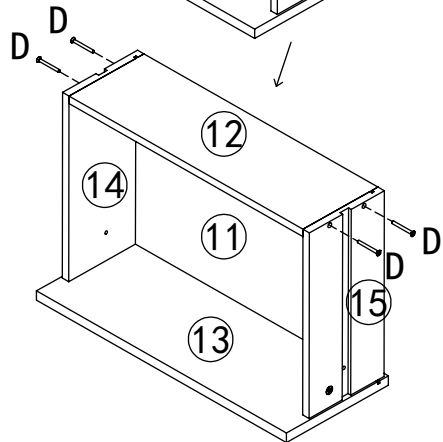
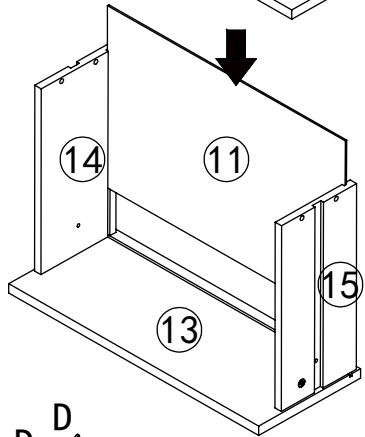
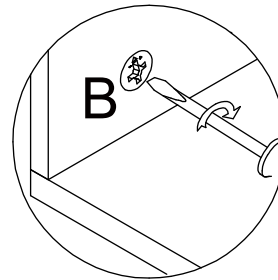
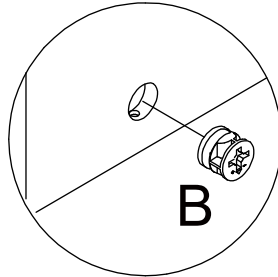
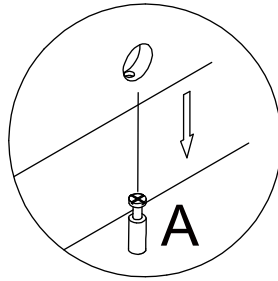
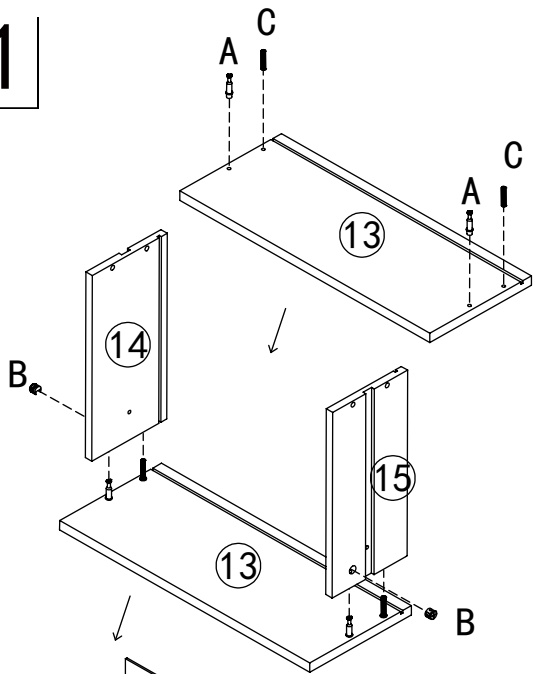
10



x2

A	X8	B	X8	D	X8
7x35mm		12x10mm		M4x40mm	

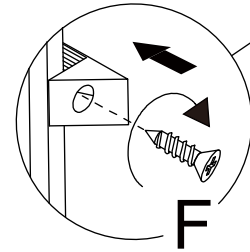
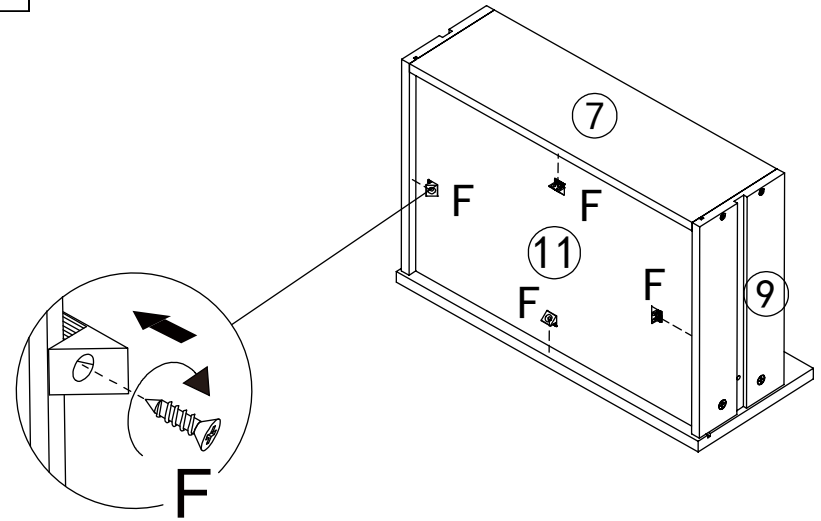
11



A	X8	B	X8	C	X8	D	X16
7x35mm		12x10mm		Ø6x30mm		M4x40mm	

x4

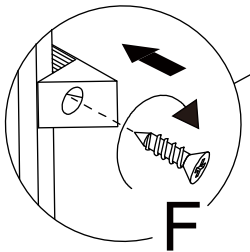
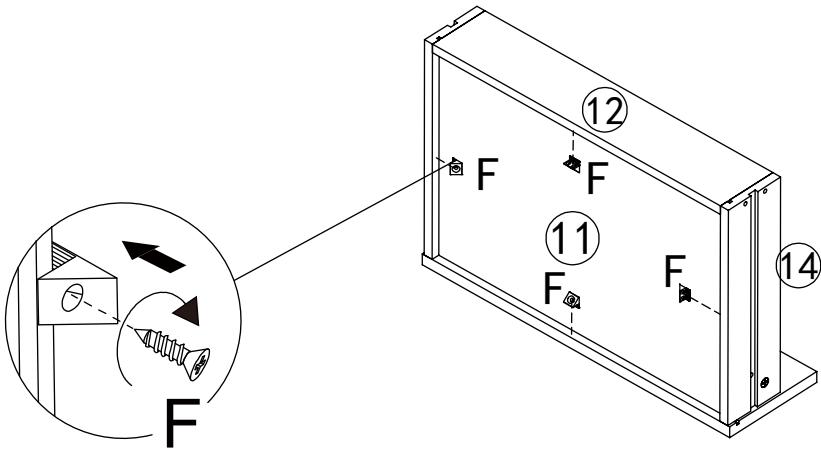
12



x2

F	X8
M3.5x12mm	

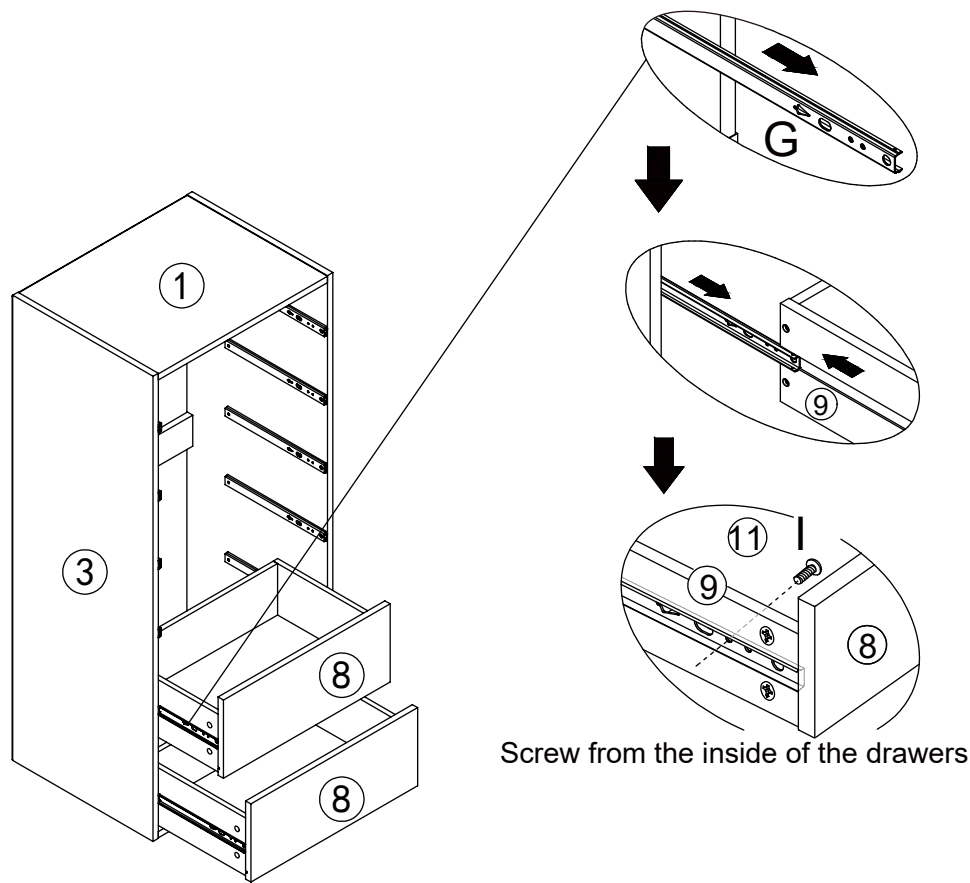
13




x4

F	X16
M3.5x12mm	

14

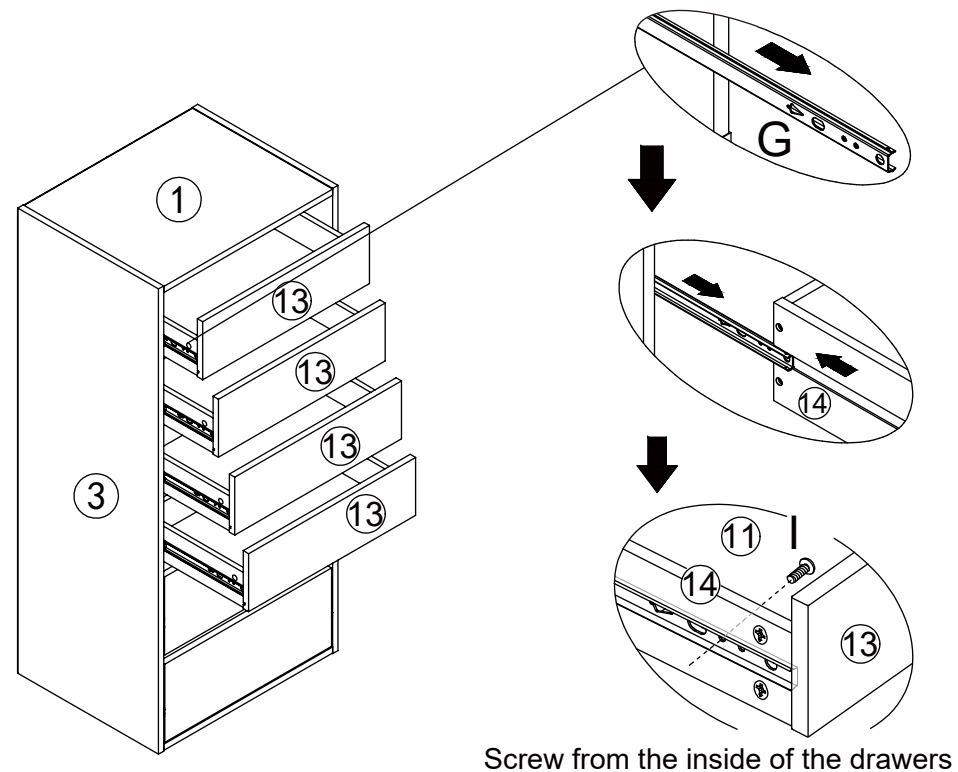


I	X4
---	----




M4x11mm

15



I	X8
---	----



M4x11mm