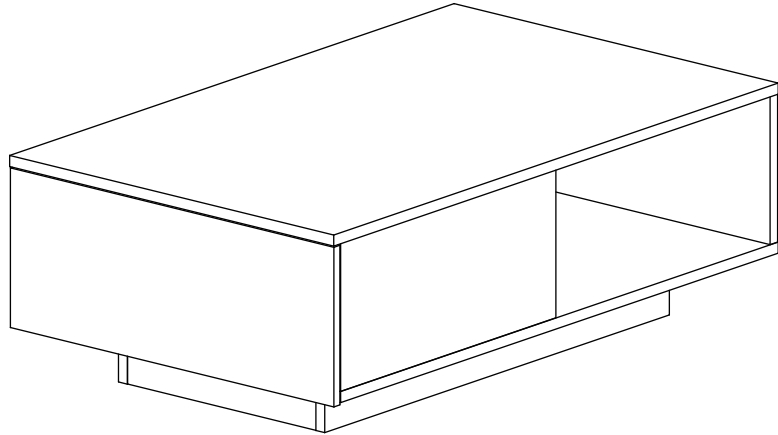




MODEL:CTB-B15-DELI
VERSION: 1.0

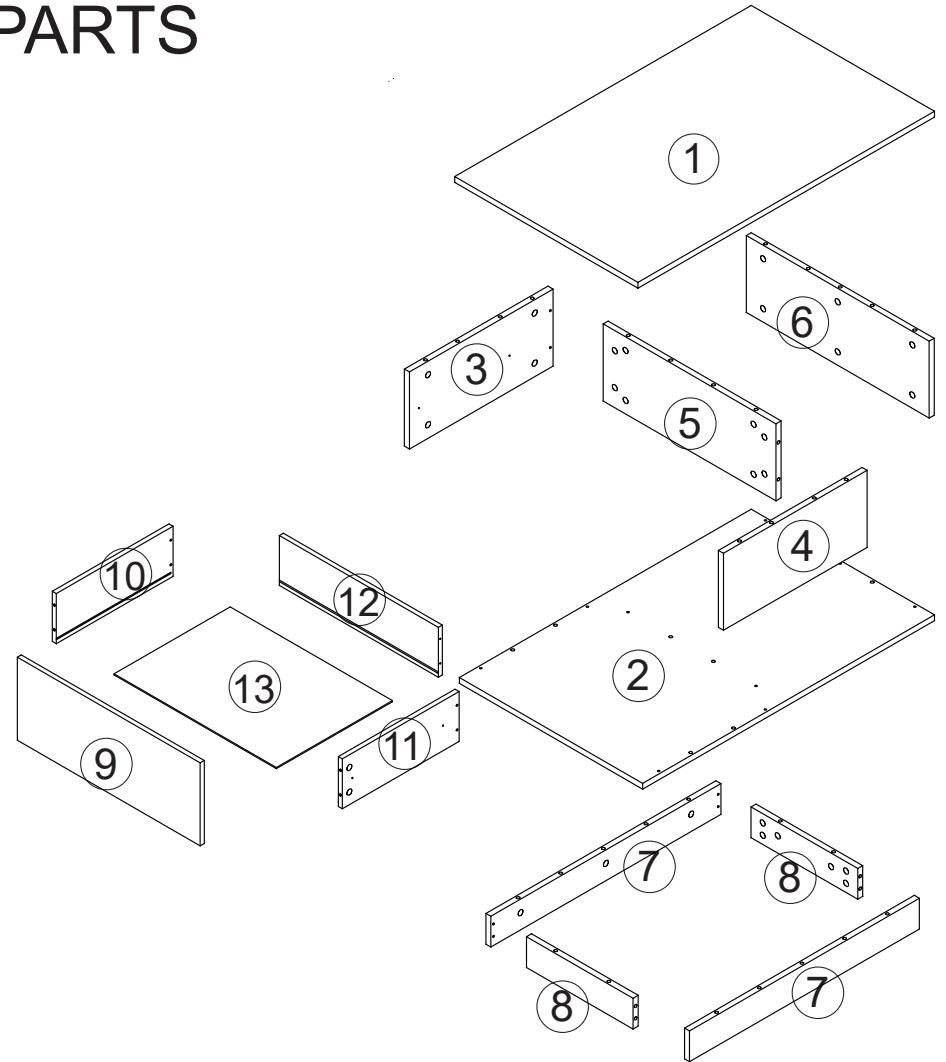


ASSEMBLY INSTRUCTIONS

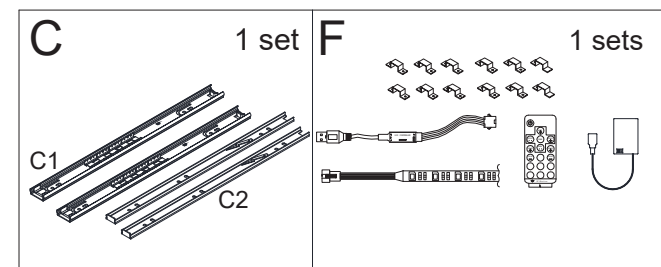
HARDWARE

A A1 A2 39 sets	B 40x8 20 pcs	D 3.5*14mm 8 pcs	E 8 pcs
G 4*35mm 4 pcs	H H1 H2 4 sets	I 3*12mm 24 pcs	

PARTS



LED COMPONENTS



ASSEMBLY CHECKLIST



Read through the instructions carefully before starting assembly.



Make sure that you have the required tools. Do not use power tools.



Identify and lay out all parts to familiarise yourself with them.

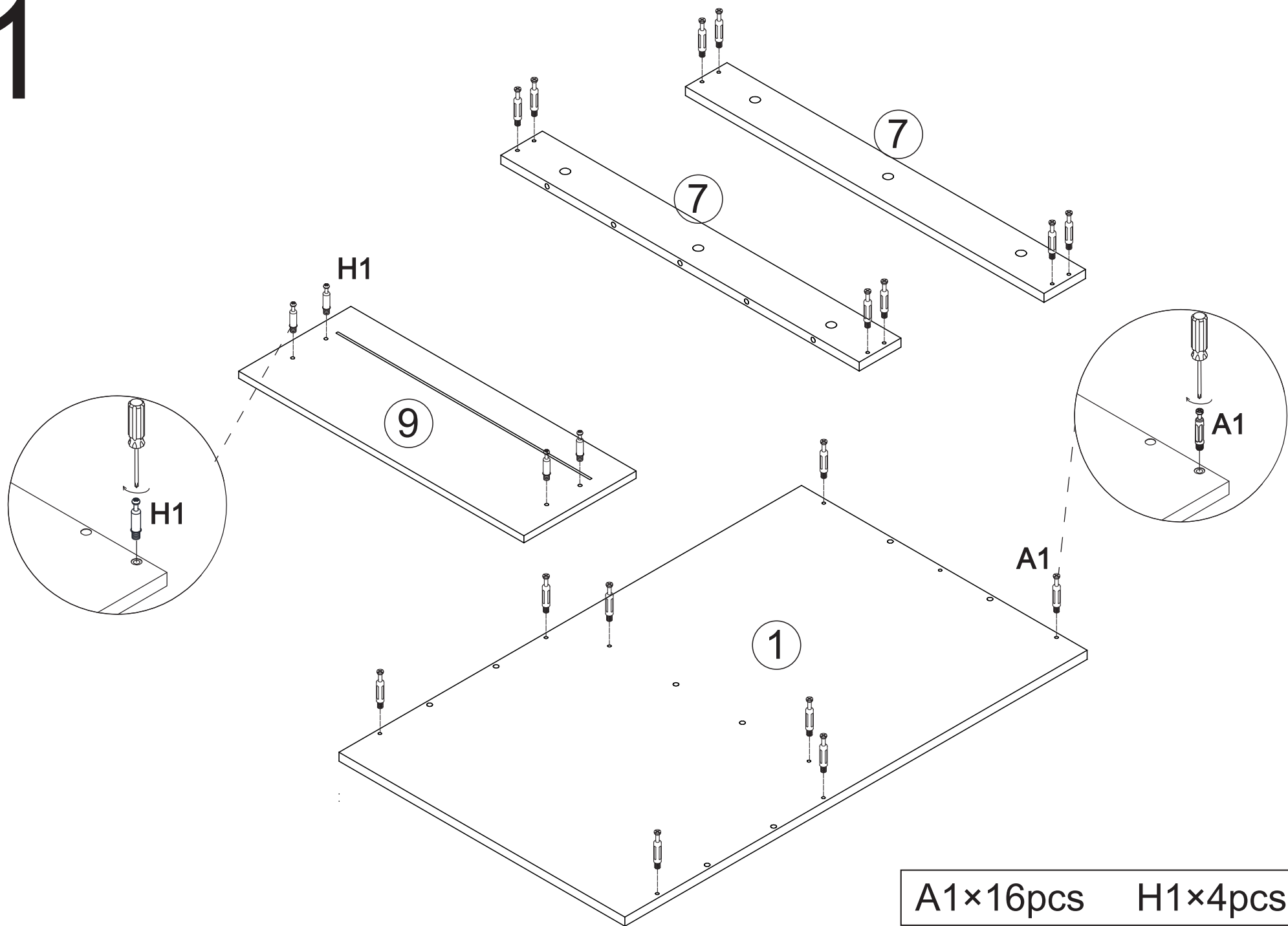


Do not fully tighten all screws until the step or process has been completed.

USEFUL INFORMATION

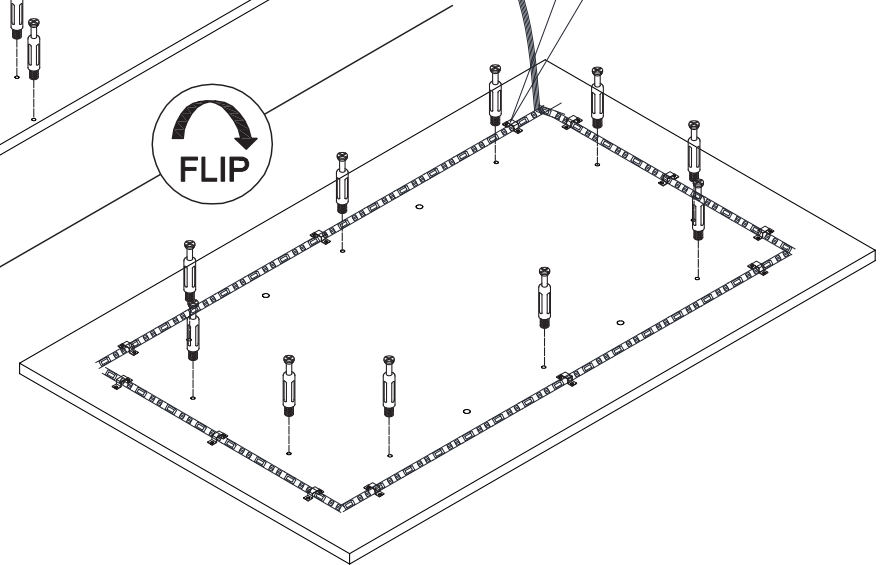
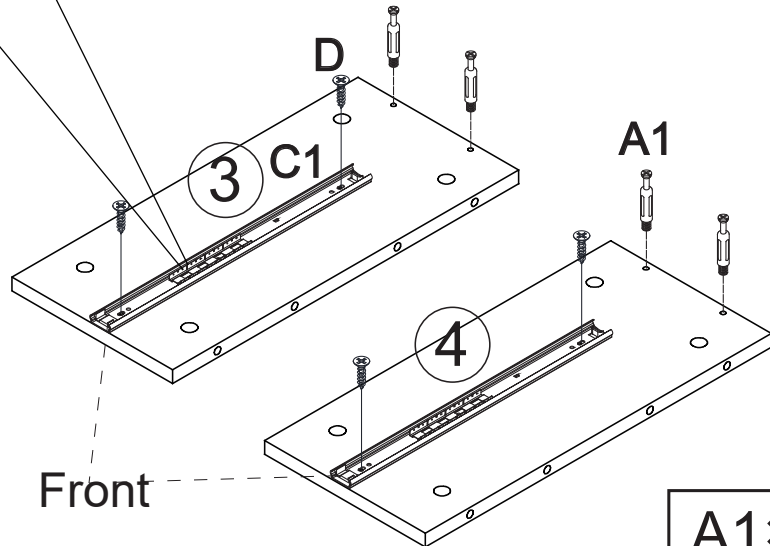
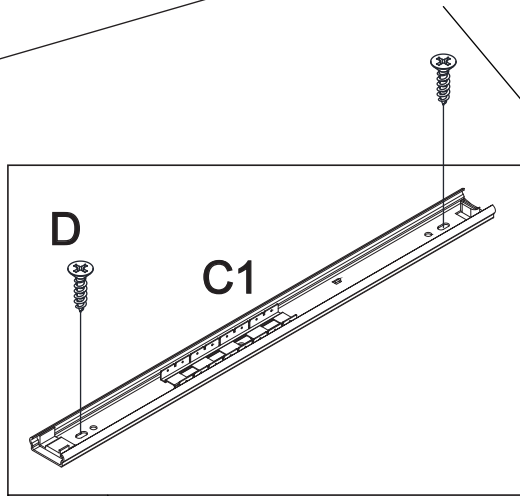
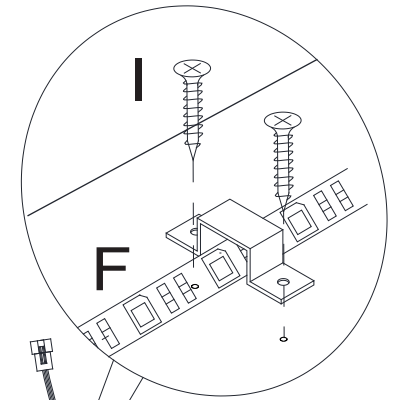
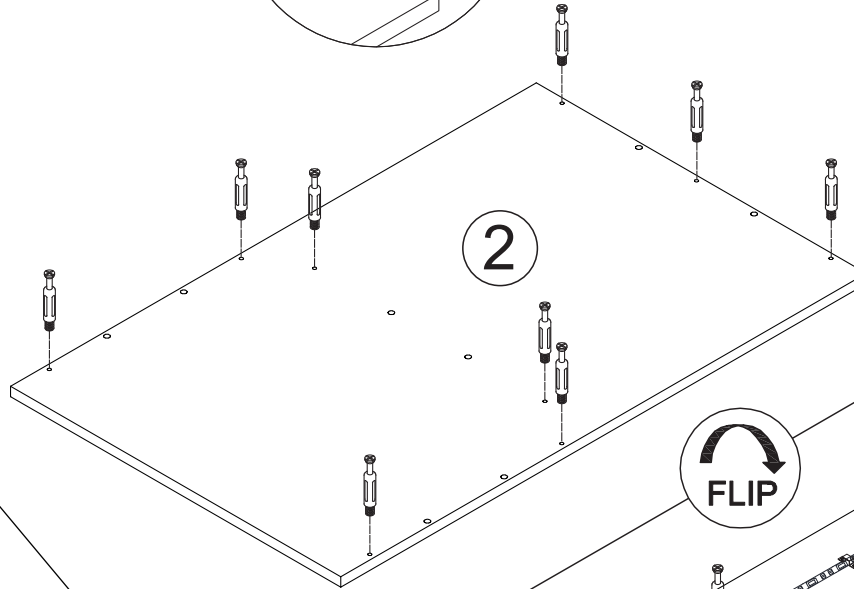
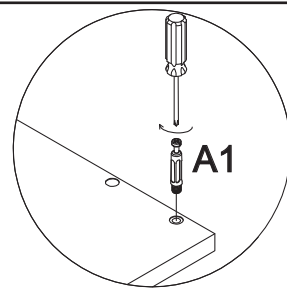
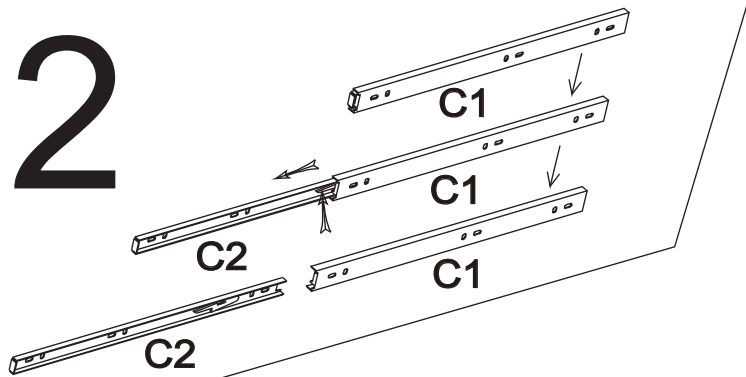
1. Never use power tools for assembly. They can damage the components or hardware if used incorrectly.
2. The most common mistakes made during assembly are using the wrong hardware or getting components from back to front.
3. Always assemble the product on a soft surface such as a carpet or cardboard to avoid scratching or damaging the surface of the product.

1



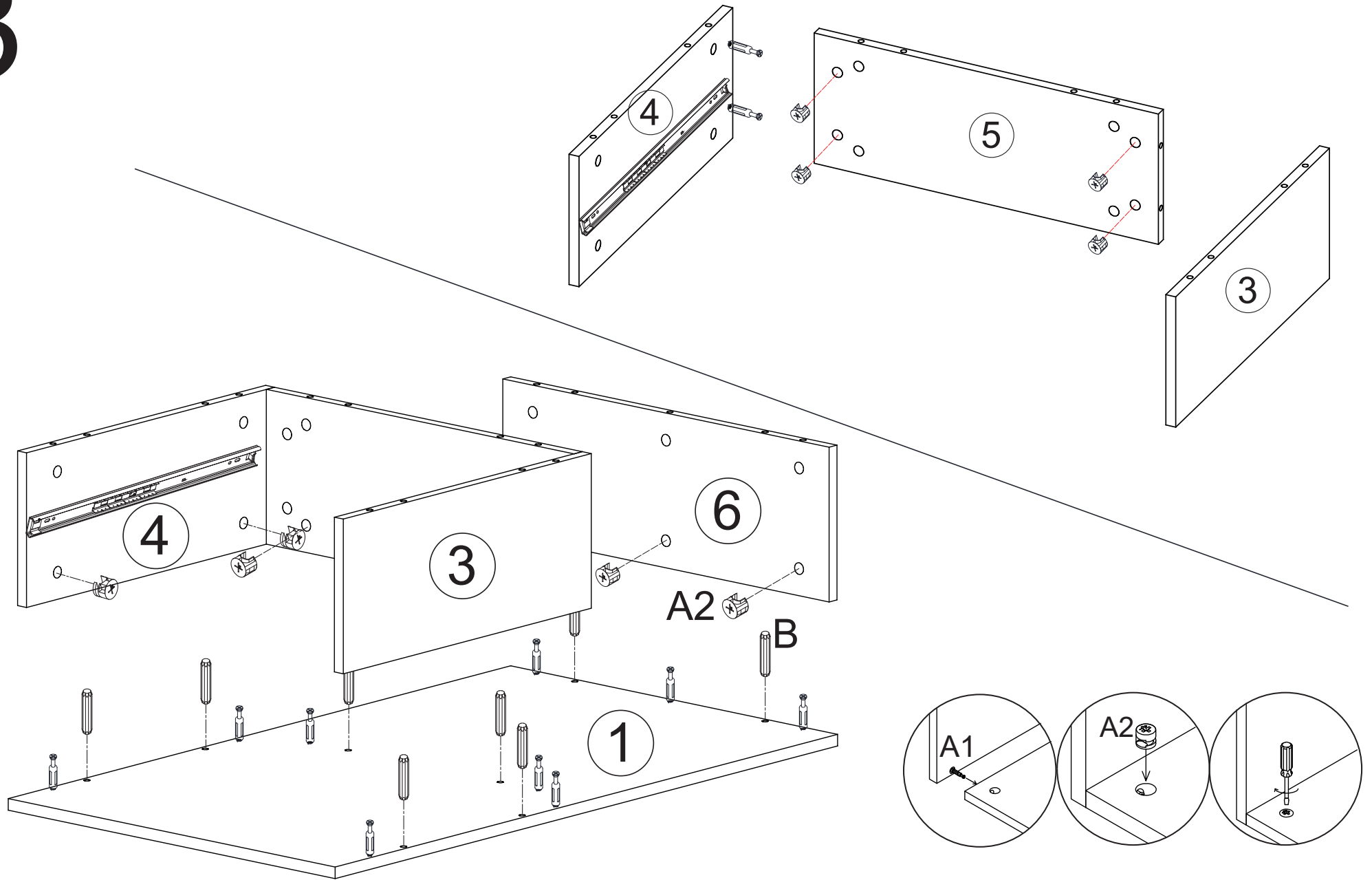
A1×16pcs H1×4pcs

2



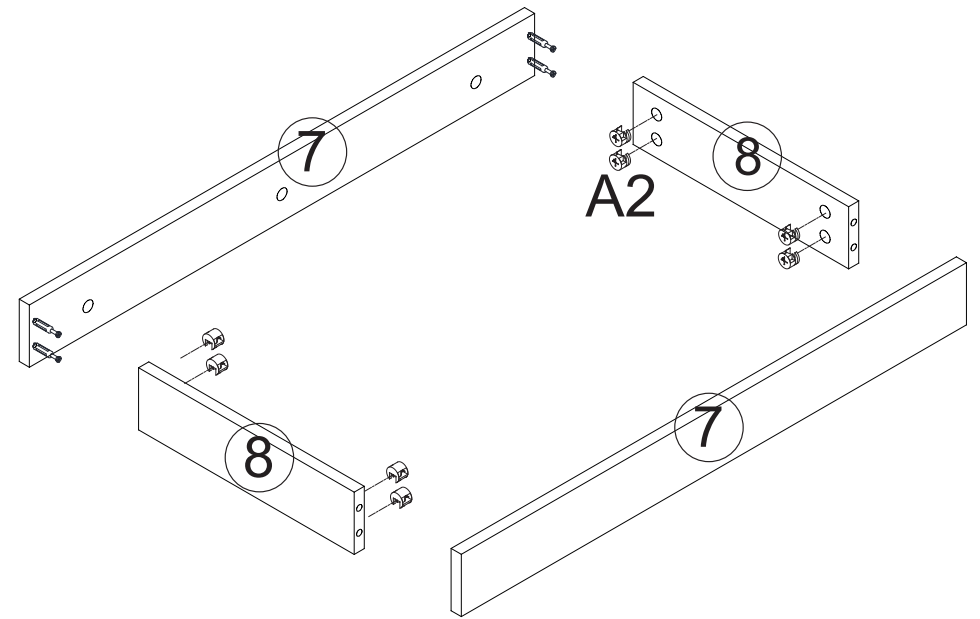
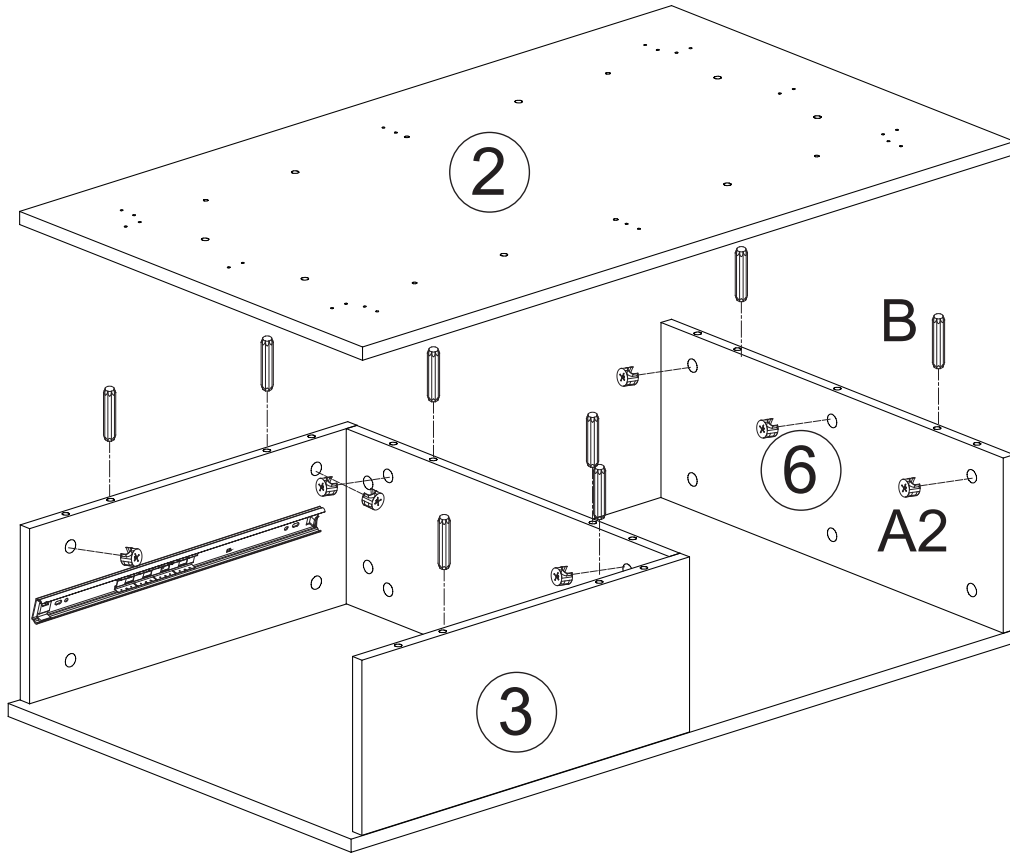
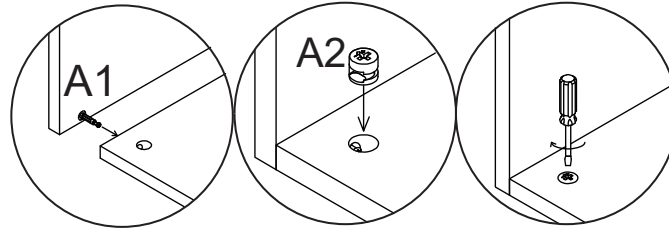
A1×23pcs C1×2pcs F×1set D×4pcs I×24pcs

3



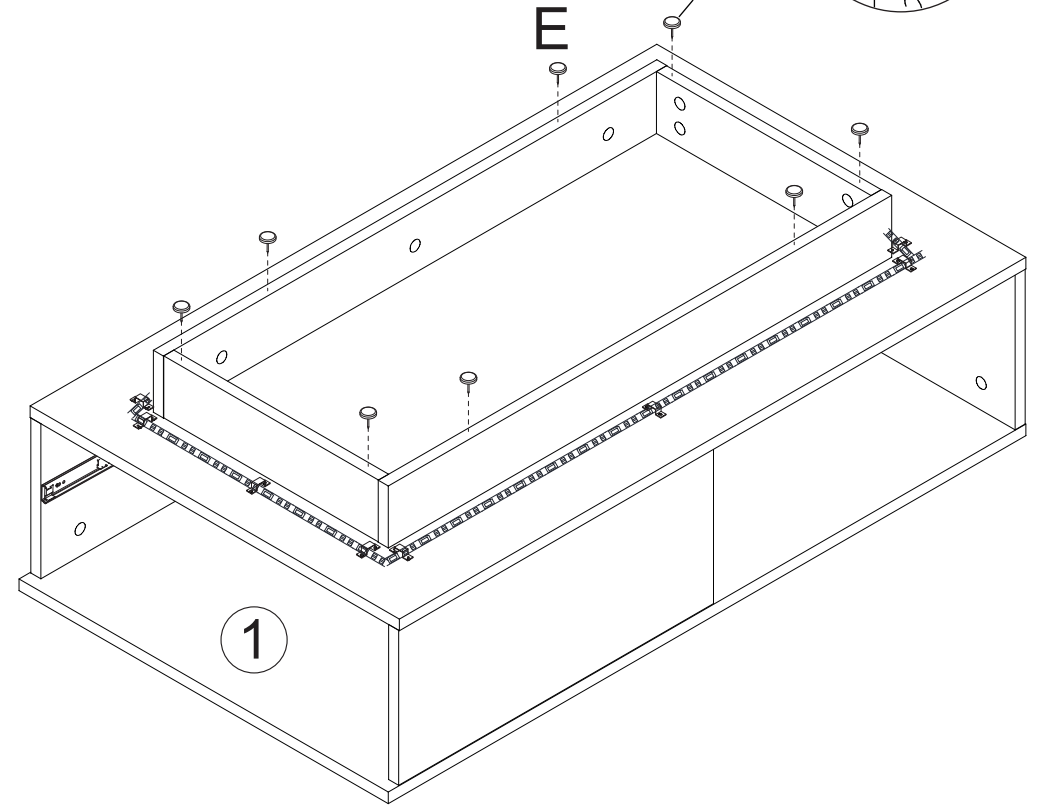
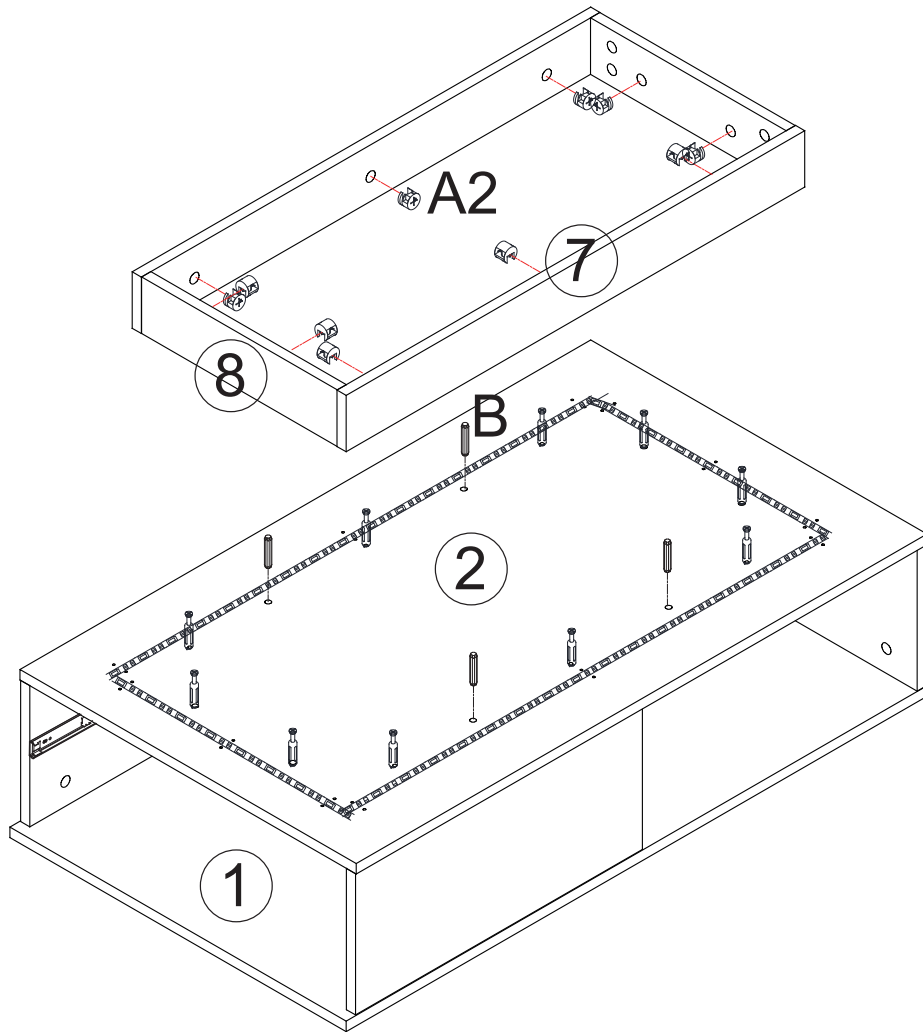
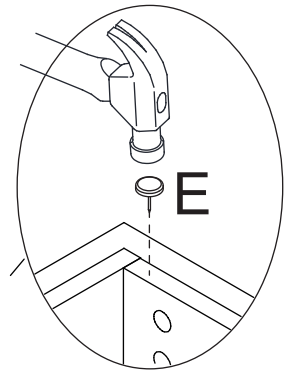
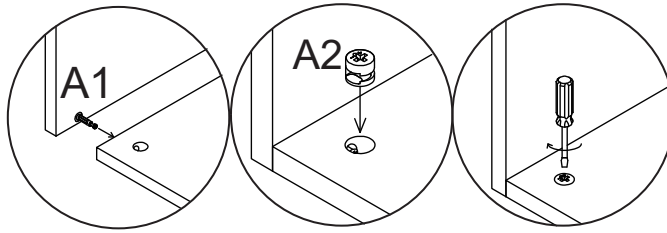
A2×13pcs B×8pcs

4



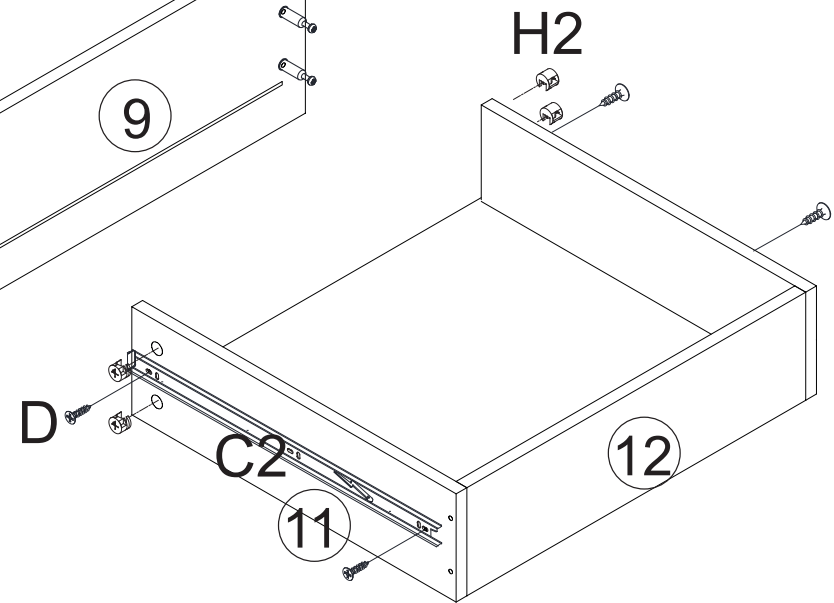
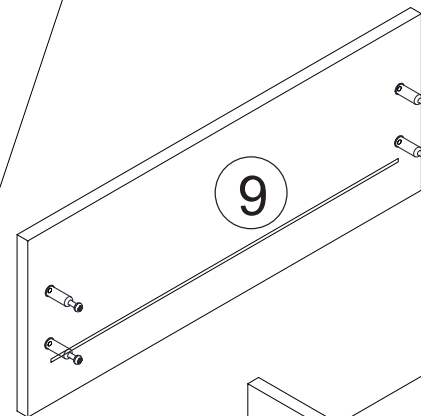
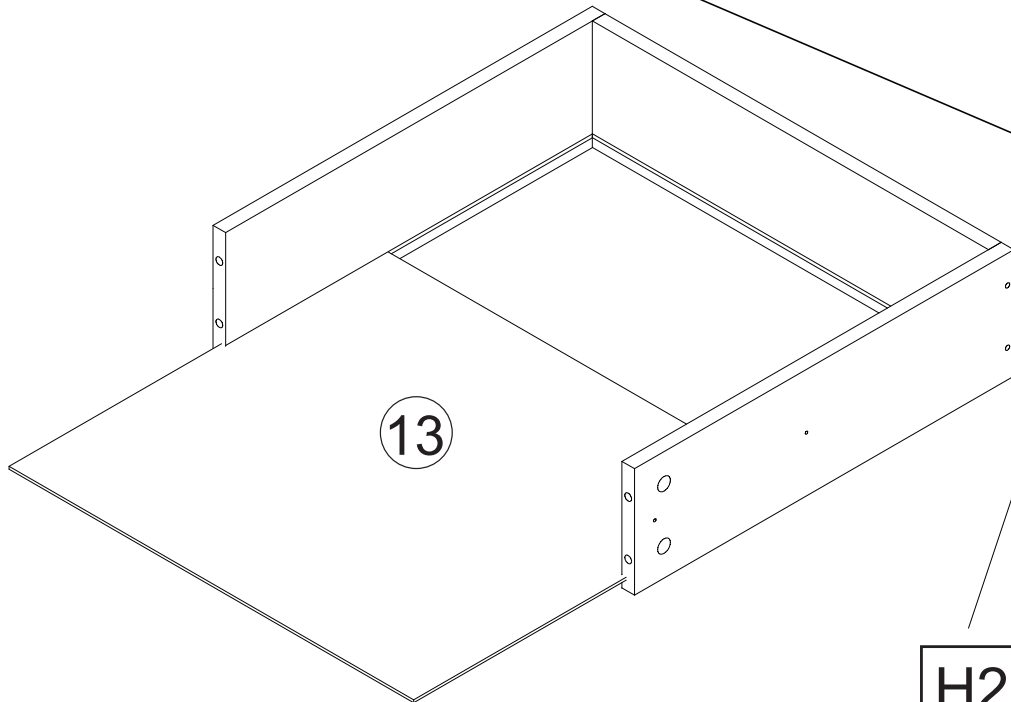
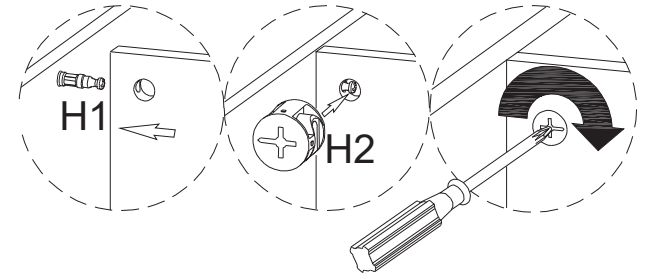
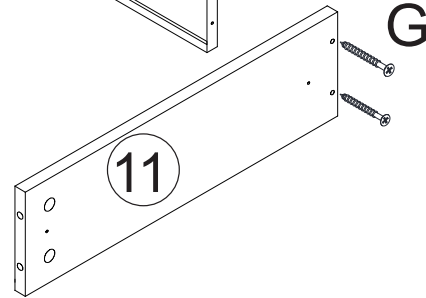
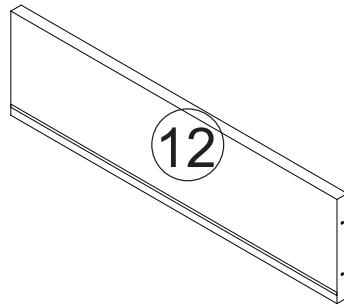
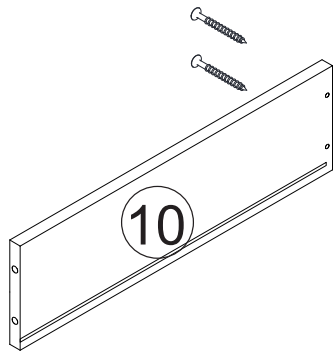
A2×17pcs B×8pcs

5



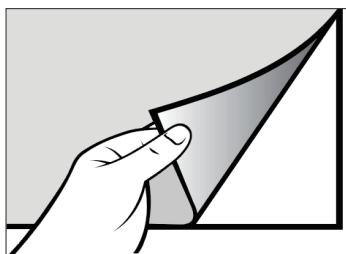
A2×10pcs B×4pcs E×8pcs

6

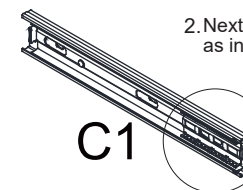
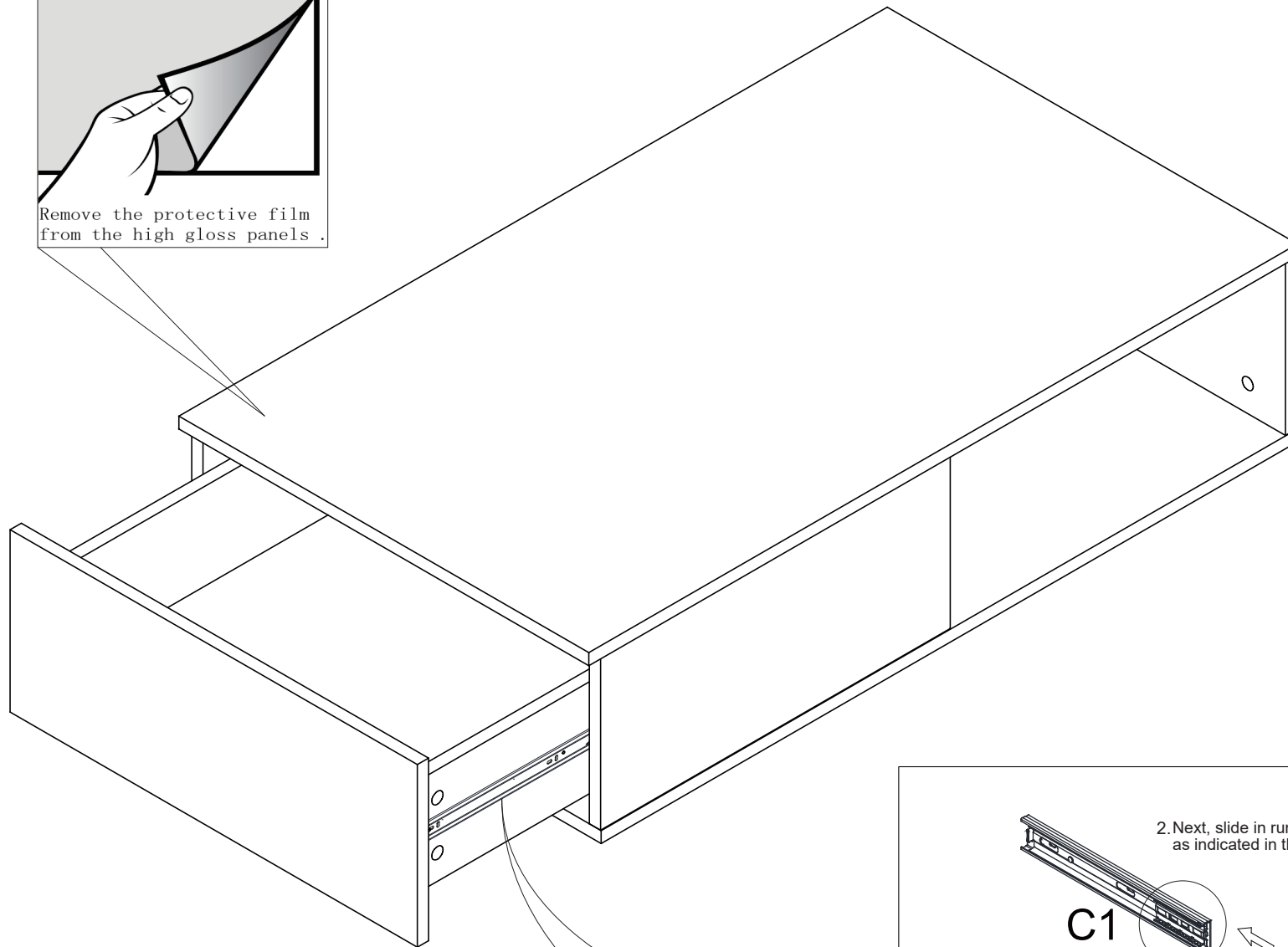


H2×4sets D×4pcs C2×2pcs G×4pcs

7

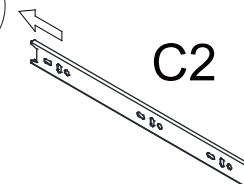


Remove the protective film from the high gloss panels .



1. Slide the catch on runner c1 (affixed on cabinet) forward.

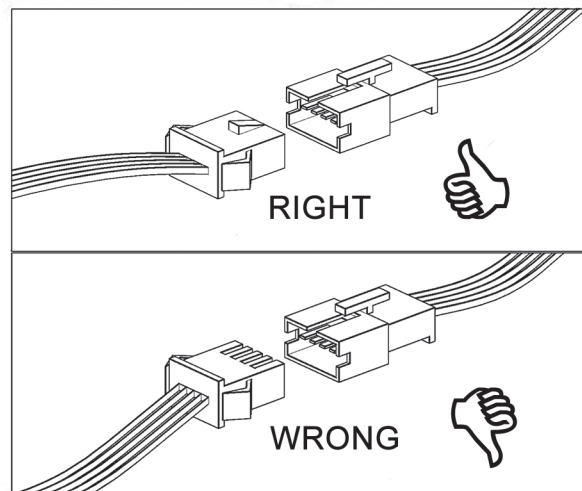
2. Next, slide in runner C2 (affixed to the drawer) as indicated in the diagram.



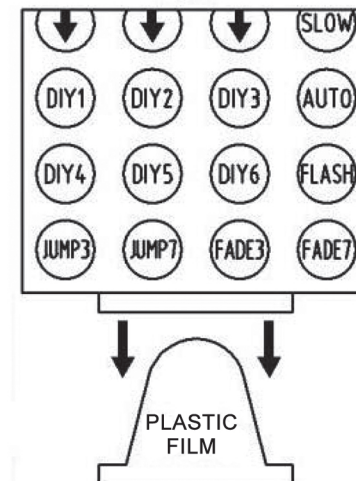
LED LIGHTS TROUBLESHOOTING

If the LED lights are not working successfully, please check the following:

1. Check the facing of the connectors and ensure that they are as shown in the illustration.
2. Check the remote controller. Remove the plastic film before use.
3. Make sure that the remote controller is within the range of the receiver, and that the transmission signal is not obstructed.



Check the facing of the connectors and ensure that they are aligned correctly.



Remove the plastic film from the remote controller.

REMOTE CONTROLLER OPERATING INSTRUCTIONS

SPECIFICATIONS

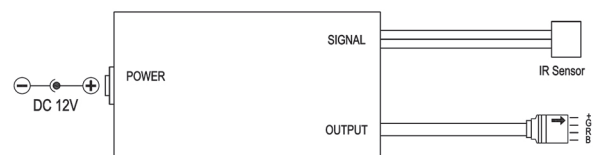
Working temperature:	-20° to 60°C
Product dimensions:	62mm (L) x 35mm (W) x 23mm (H)
Net weight:	50g
Output:	Three CMOS drain-open output
Maximum load current:	2A per colour
Supply voltage:	DC12V

CONTROL

The function of each button on the remote controller are as shown in the table below:

Brightness + (speed up)	Brightness + (speed down)	Off	On
Static red	Static green	Static blue	Static white
Static orange	Static pea green	Static dark blue	7-colour jump change
Static dark yellow	Static cyan	Static brown	All fade out and fade in
Static yellow	Static light blue	Static pink	7-colour fade change
Static straw yellow	Static sky blue	Static purple	3-base colour jump

CIRCUIT DIAGRAM



WARNINGS

1. The supply voltage of the product is DC12V. Never connect to DC24V or AC220V.
2. Never connect two wires directly to prevent a short circuit.
3. Ensure that the wire connections are connected correctly as per the circuit diagram above.
4. This product as a one-year warranty against manufacturing defects but not for damages due to incorrect use or current overload.

ATTENTION

This product contains a button battery.

If swallowed, a lithium button battery can cause severe or fatal injuries within two hours.

Keep battery out of reach of children.

If you think the battery may have been swallowed or placed inside any part of the body, seek medical attention immediately.