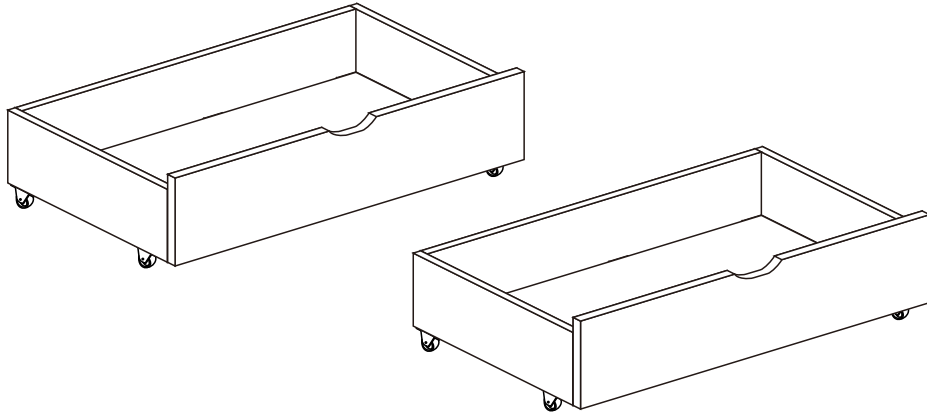




DRAWER SET OF 2
MODEL: BF-W-2DRAW-WH



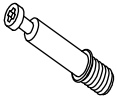

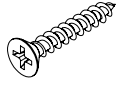
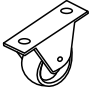

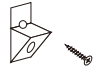
ASSEMBLY INSTRUCTIONS

Please read instructions carefully before assembly.



Two persons and tools required for assembly

HARDWARE

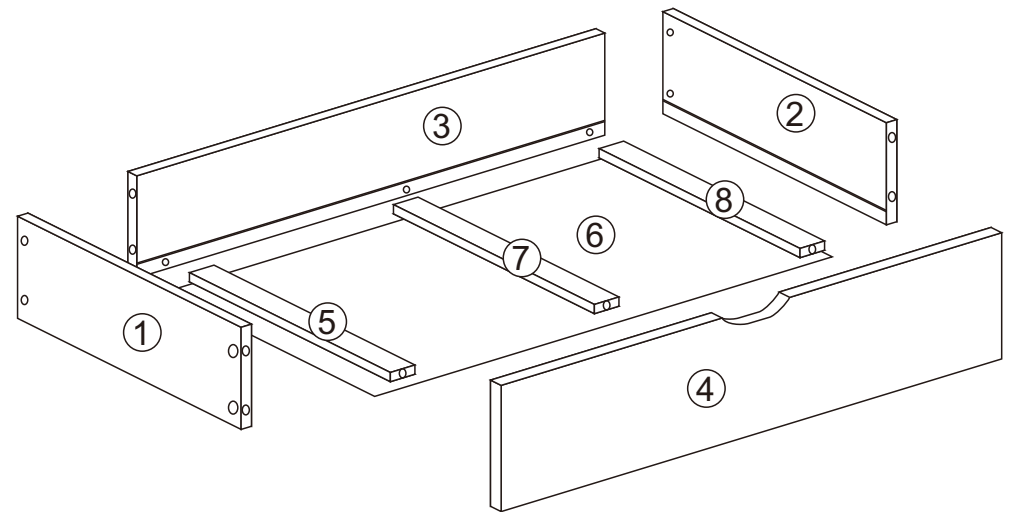
A	x14	B	x14	C	x14	D	x8	E	x16
									
7x35mm		15x12mm		M4x40mm				M3x12mm	
F	x8								
									

PARTS

Wipe with dry cloths

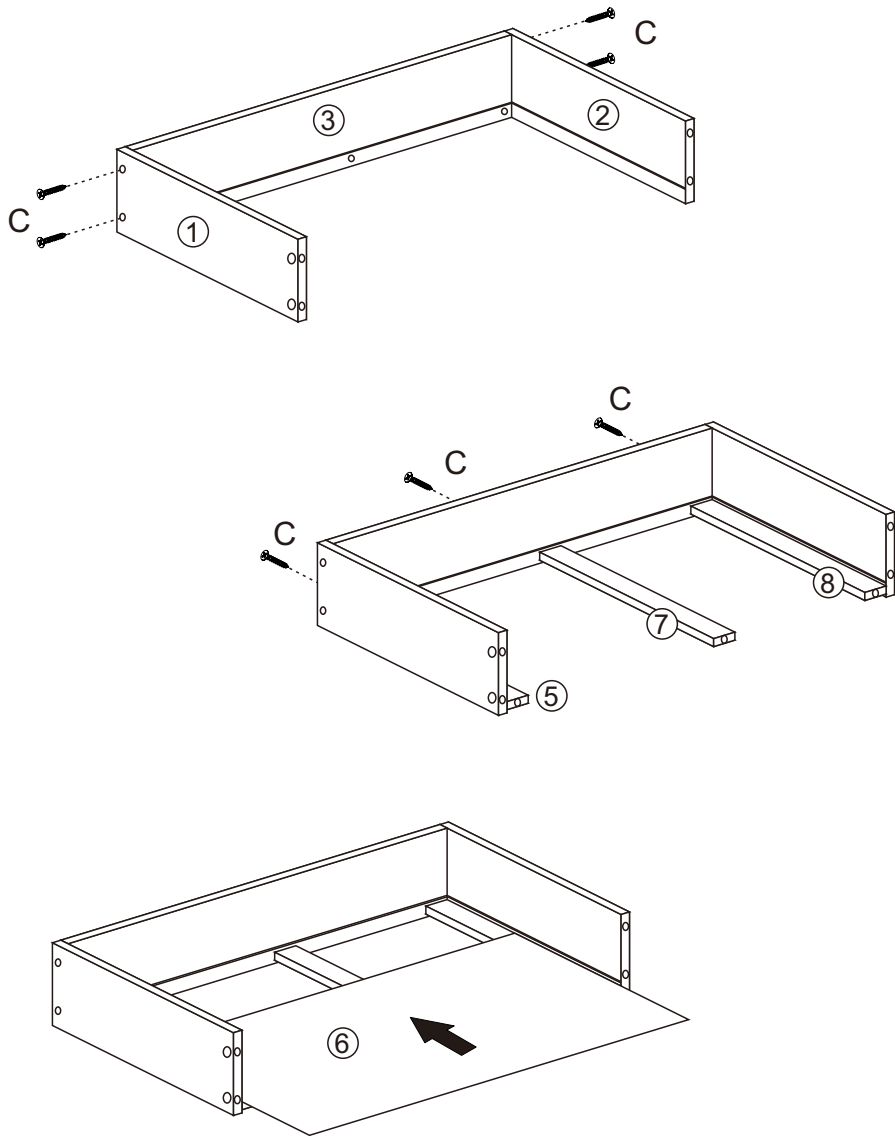



x2



1

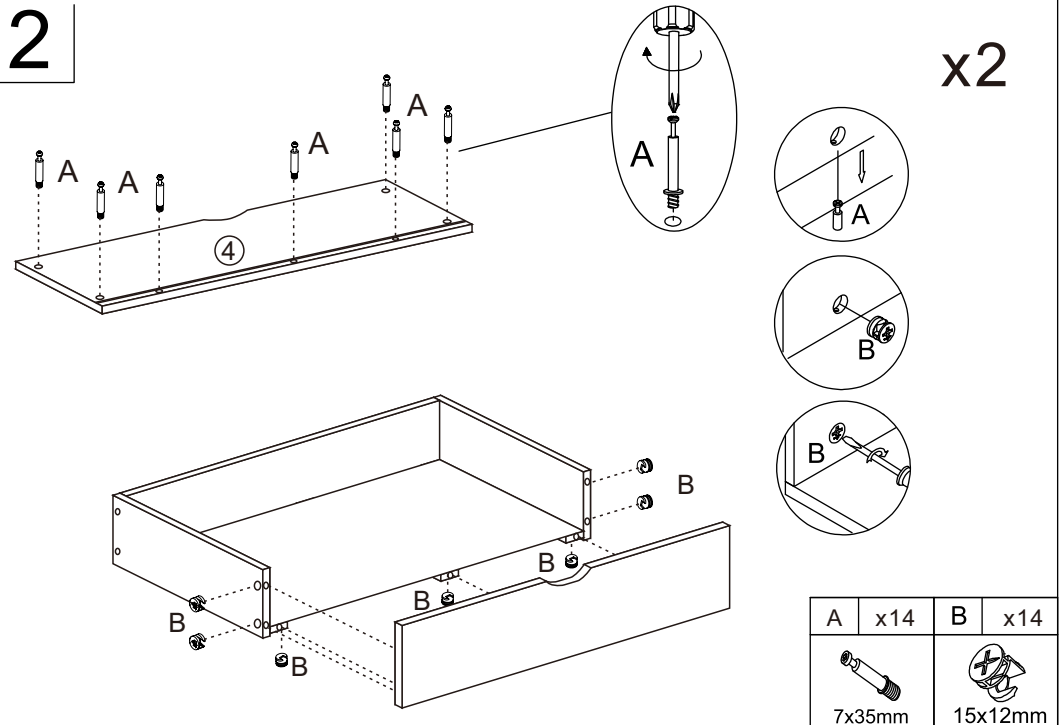
x2





C	x14
	
M4x40mm	

2

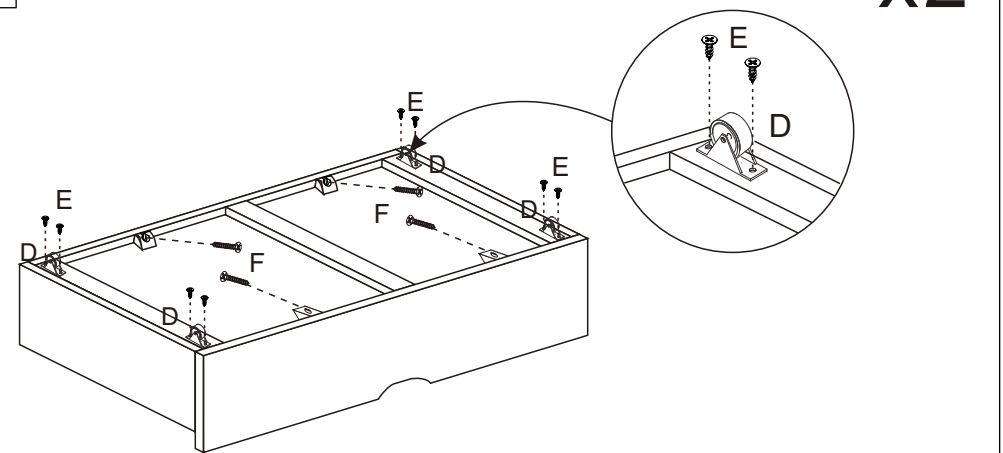
x2






A	x14	B	x14
			
7x35mm		15x12mm	

3

x2



D	x8	E	x16	F	x8
					
		M3x12mm			