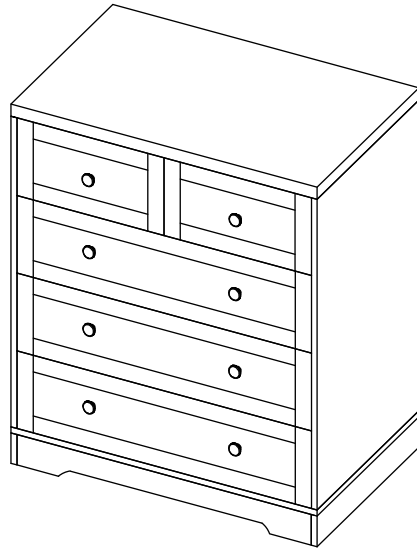




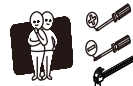
CHEST OF DRAWERS

MODEL:COD-HAMP-5D-WH/BK



ASSEMBLY INSTRUCTIONS

Please read instructions carefully before assembly.



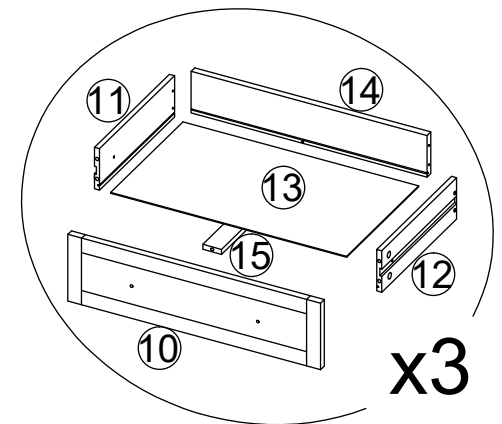
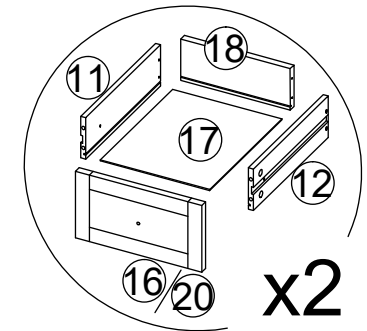
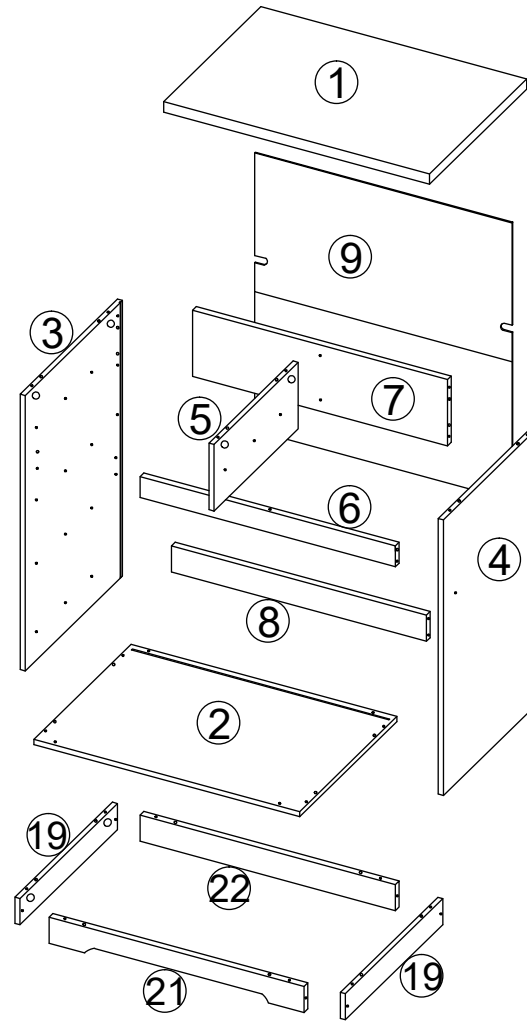
Two persons and tools required for assembly

HARDWARE

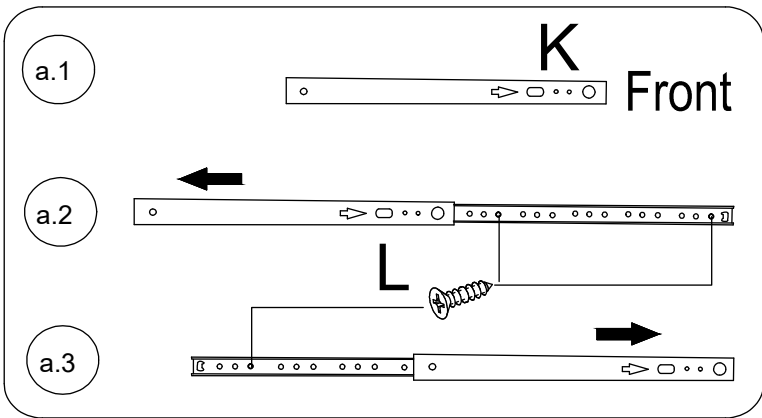
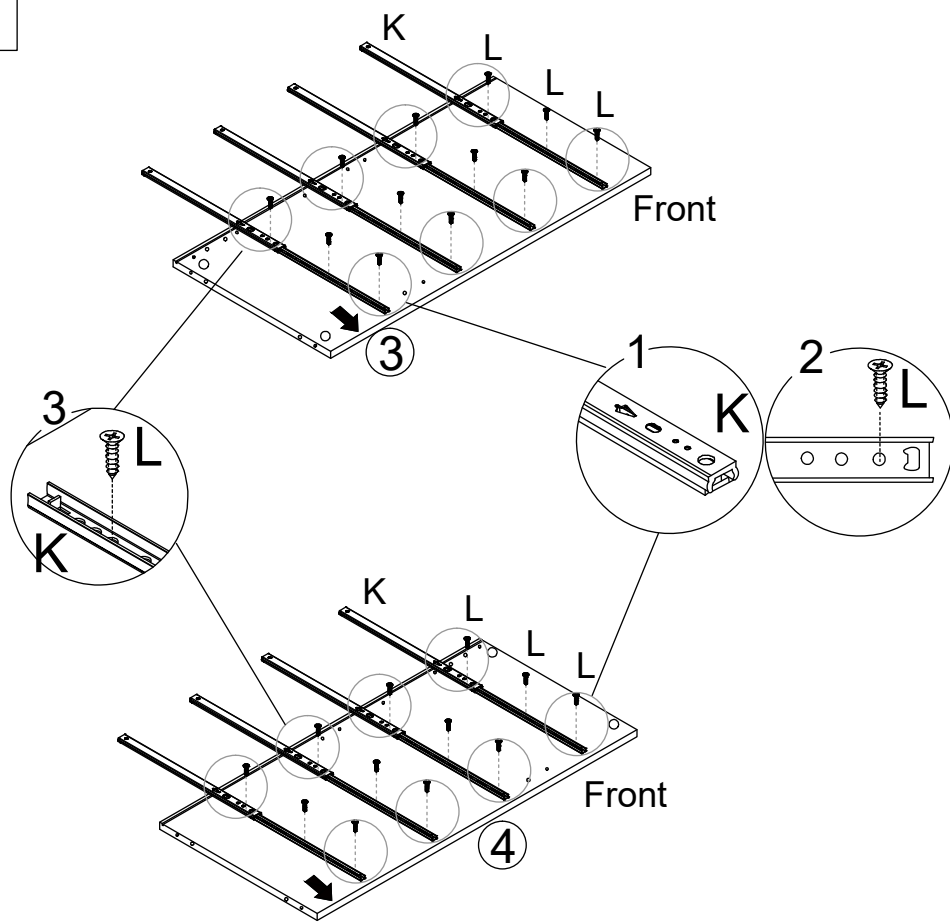
A	x34	B	x14	C	x16	D	x47	E	x18	F	x2		
7x35mm		15x12mm		Ø6x30mm		M4x40mm				M4x30mm			
G	x2	H	x2	I	x2	J	x20	K	x10	L	x30		
M4x14mm						M3x14mm				M3x12mm			
M	x10	N	x8	O	x8	P	x20	Q	x4	R	x5	S	x8
M4x11mm				M6		12x10mm		Ø6x50mm				M4x8mm	

PARTS

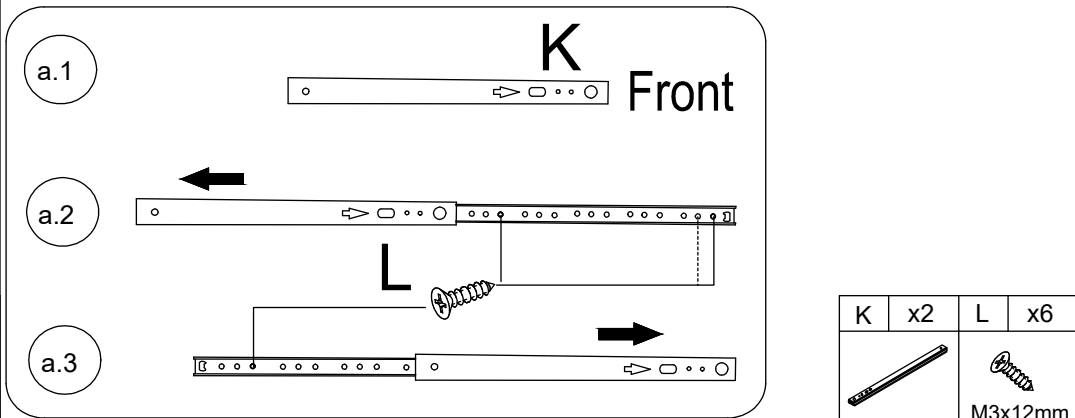
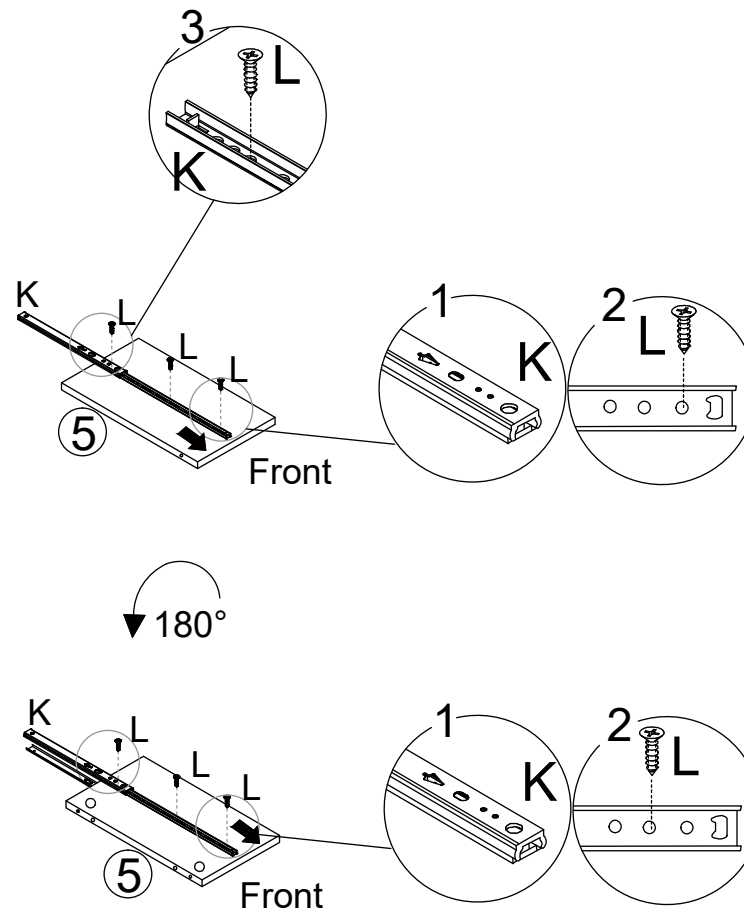
Wipe with dry cloths



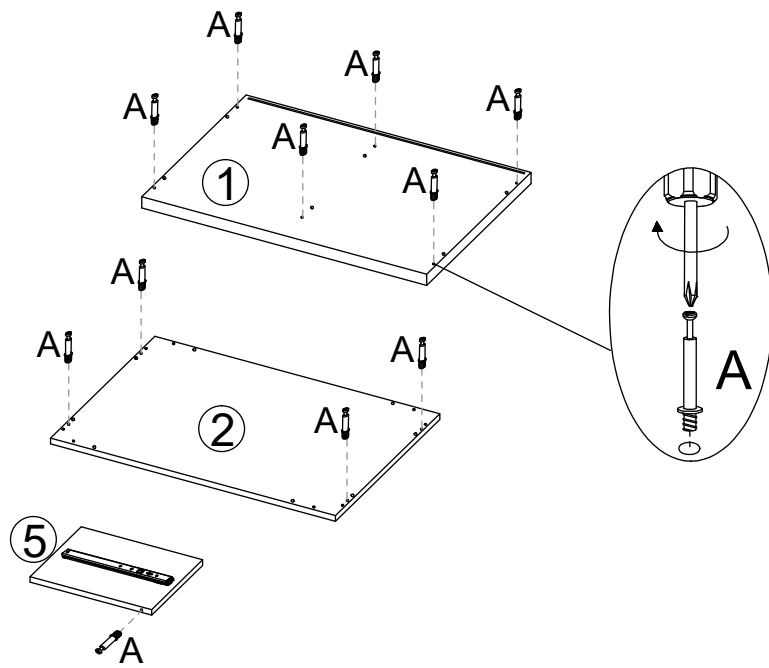
1



2



3

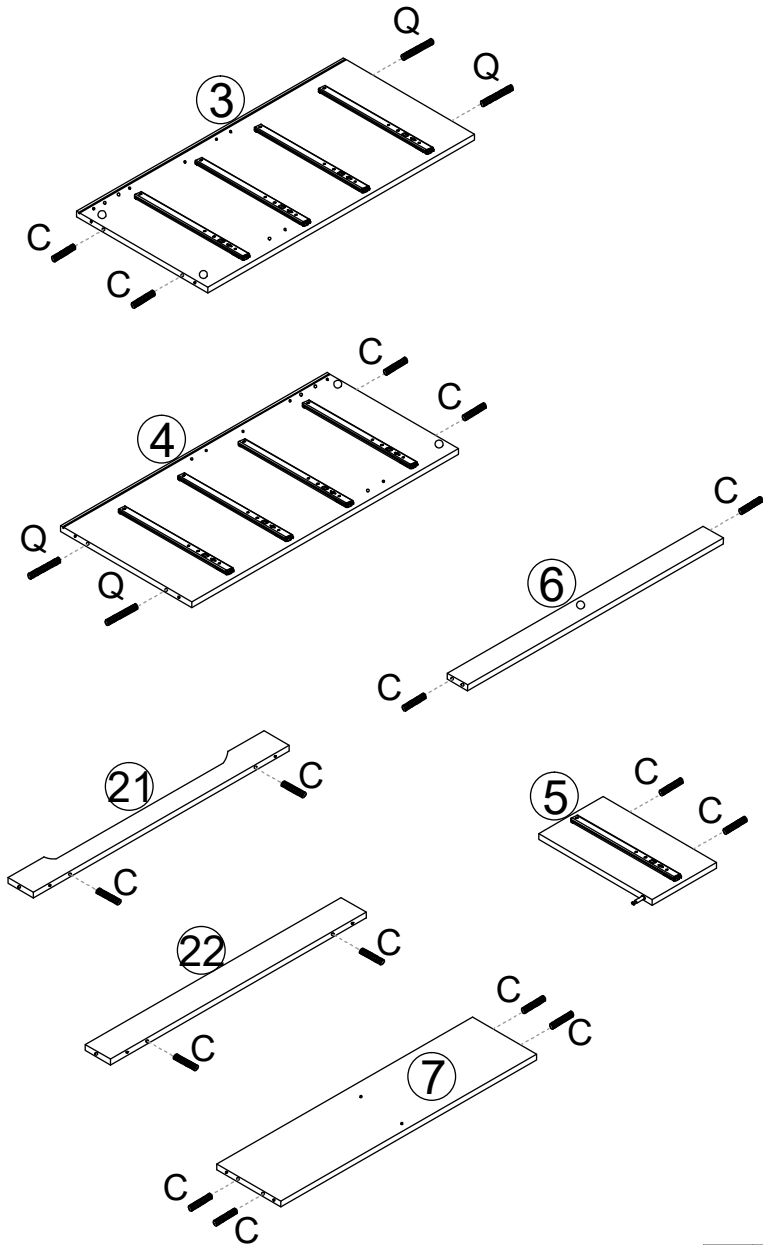


A x11



7x35mm

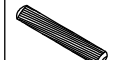
4



C x16 Q x4

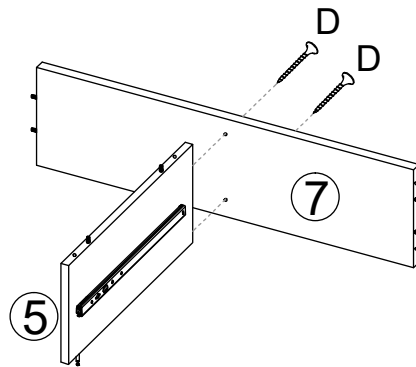


Ø6x30mm



Ø6x50mm

5

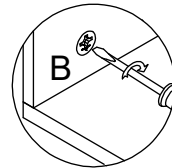
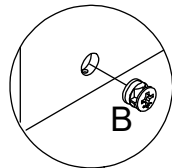
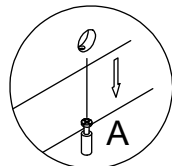
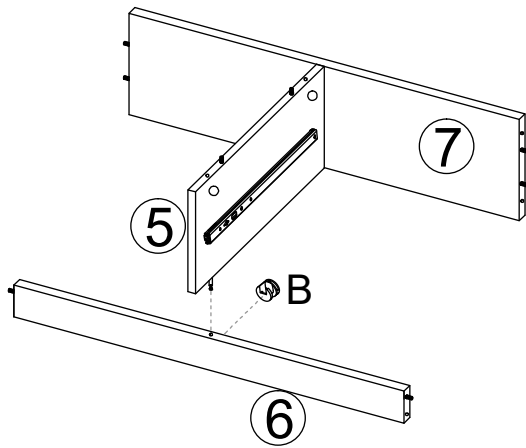



D x2



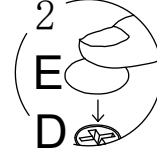
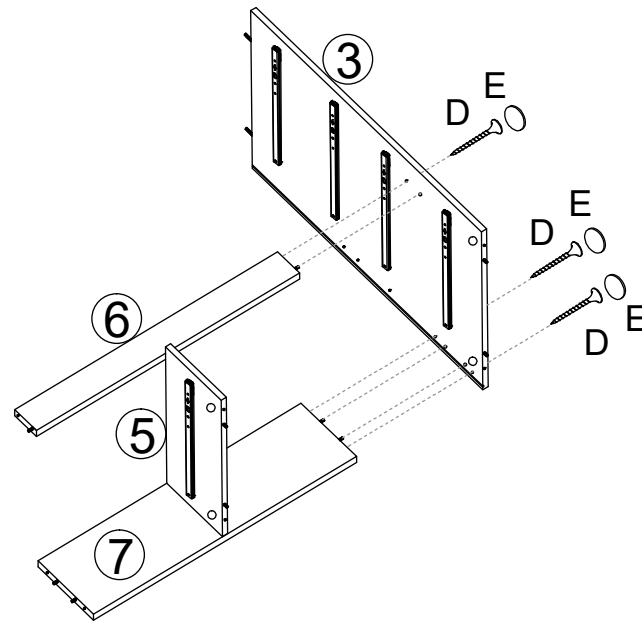
M4x40mm



6



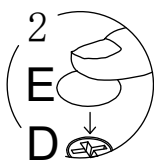
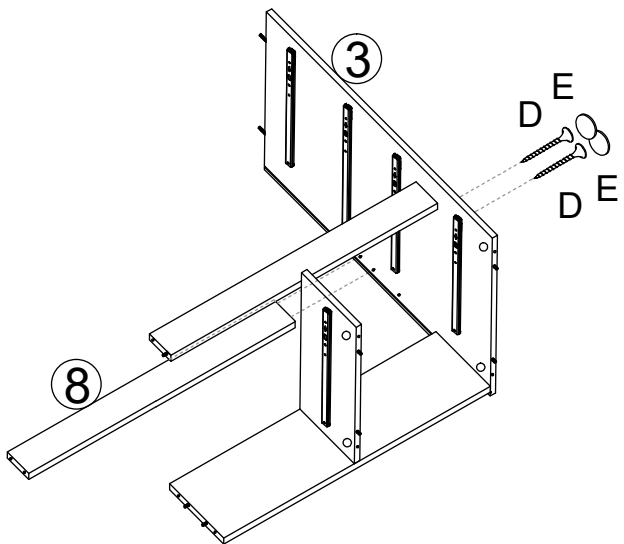
B	x1
	
15x12mm	



7



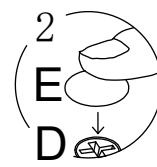
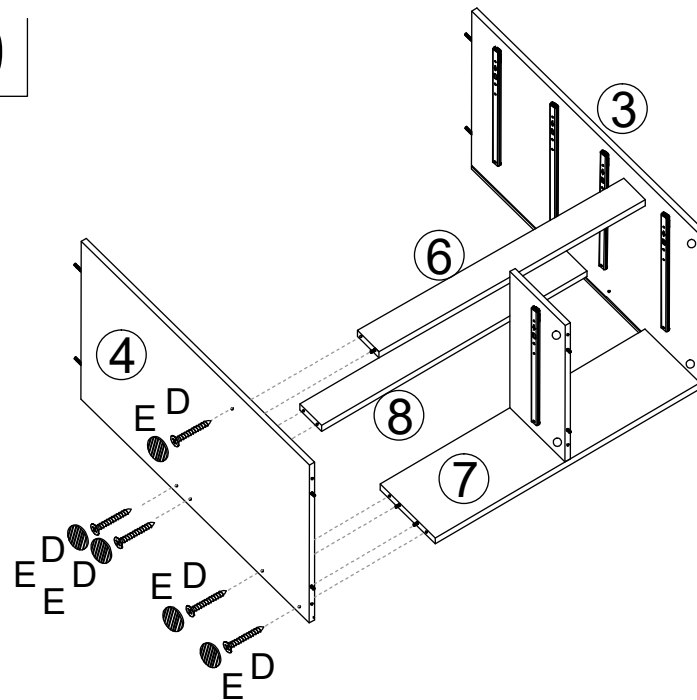
D	x3	E	x3
			
M4x40mm			



8



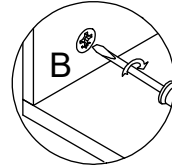
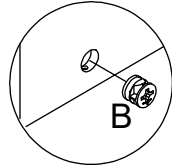
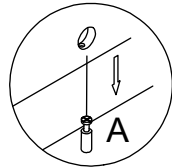
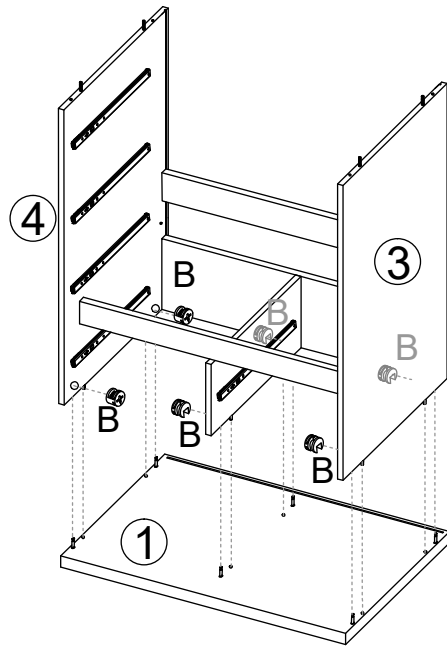
D	x2	E	x2
			
M4x40mm			


9



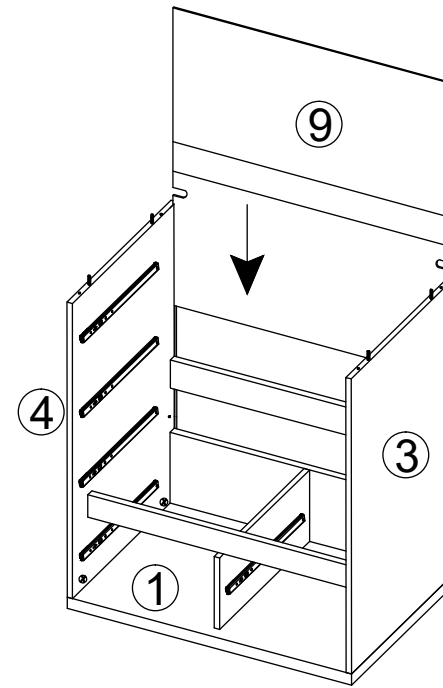
D	x5	E	x5
			
M4x40mm			

10

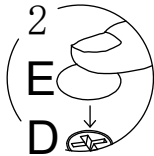
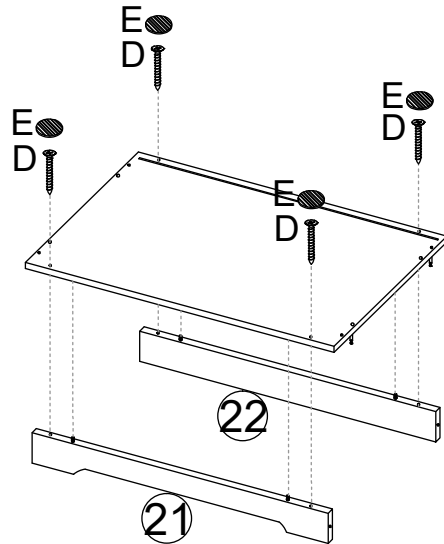




B	x6
	
15x12mm	

11

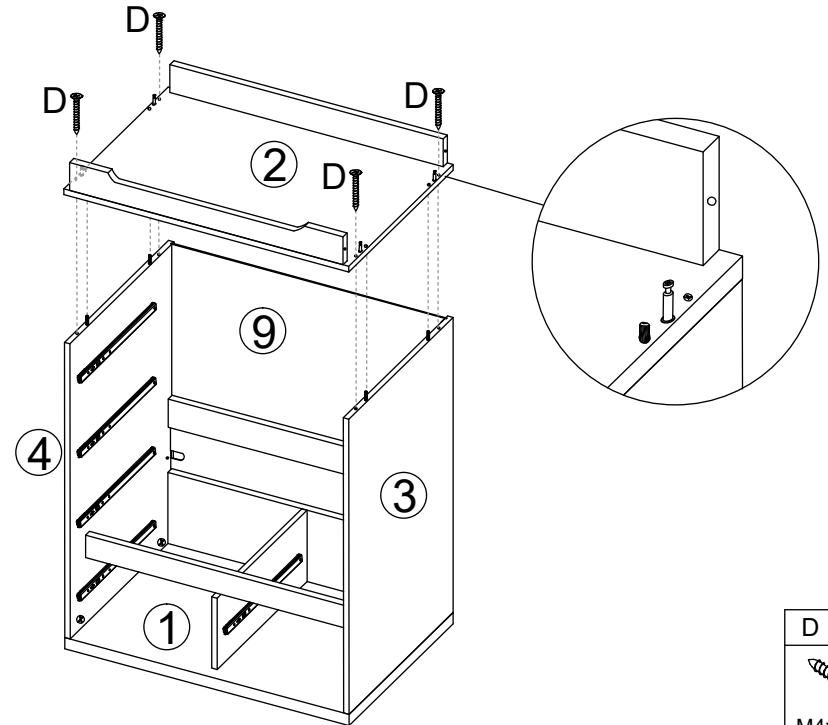



12



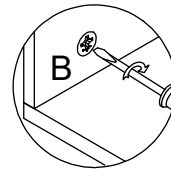
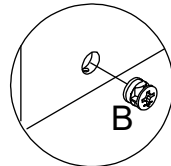
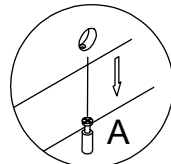
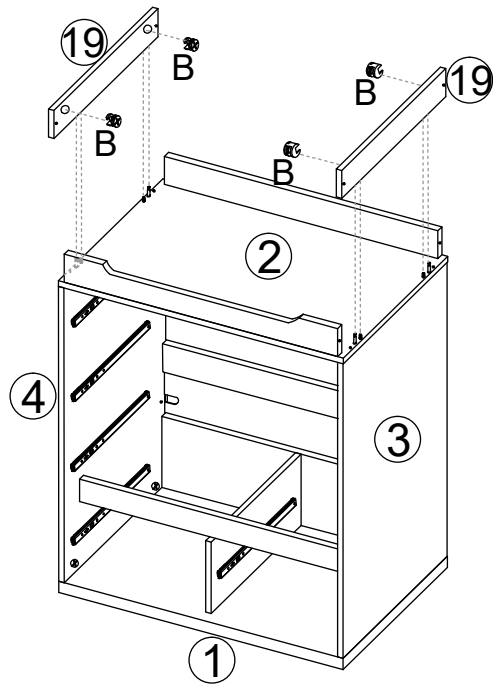
E	x4	D	x4
			
M4x40mm			


13



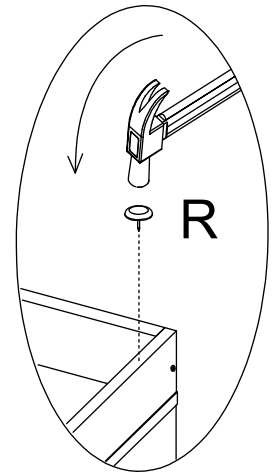
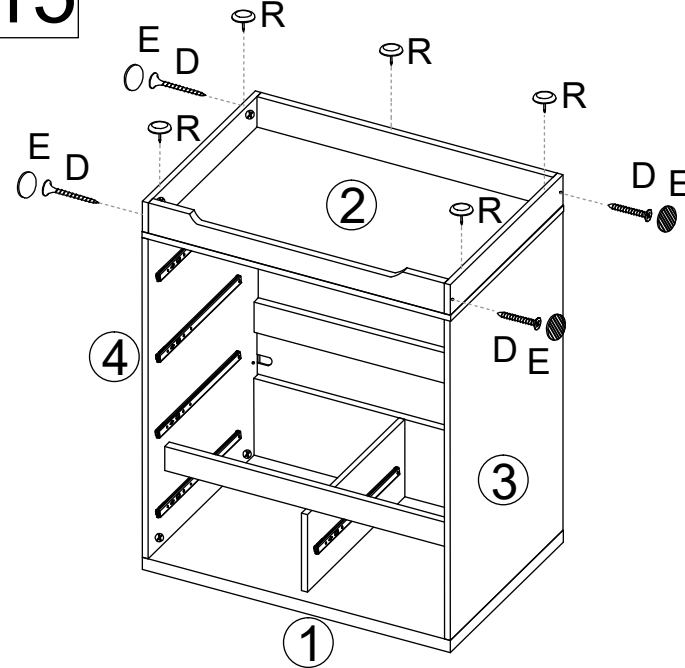
D	x4
	
M4x40mm	




14



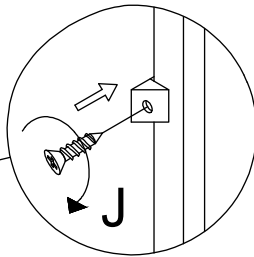
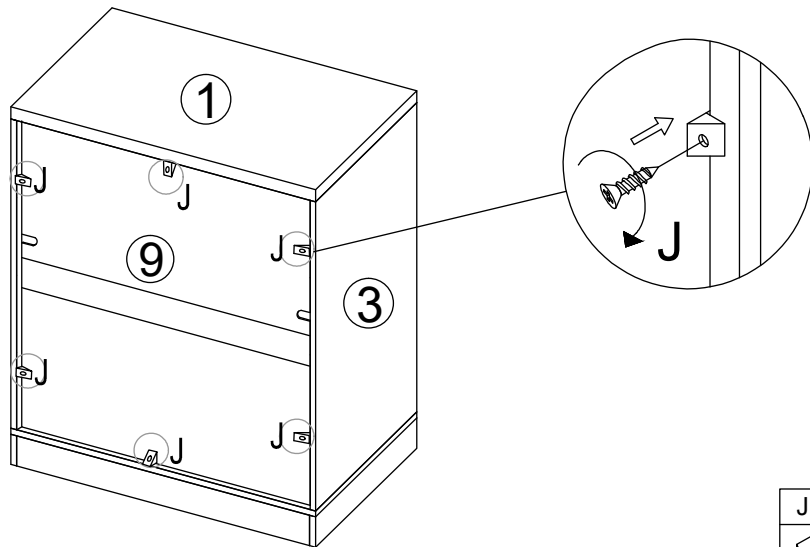
B	x4
	
15x12mm	



15



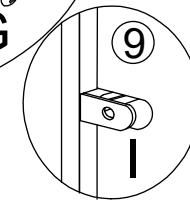
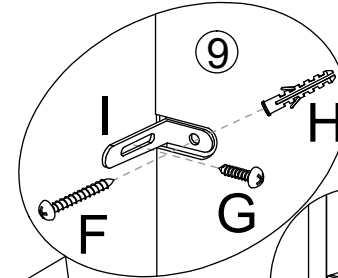
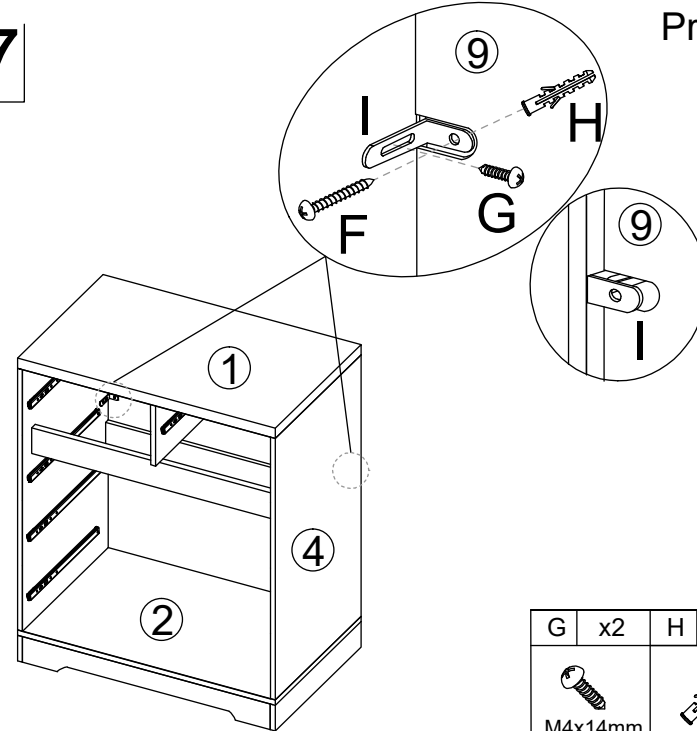
R	x5	D	x4	E	x4
					
		M4x40mm			

16

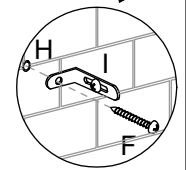
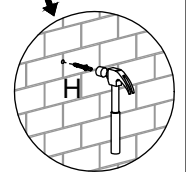
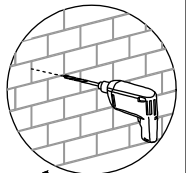






J	x6
	
M3x14mm	

17

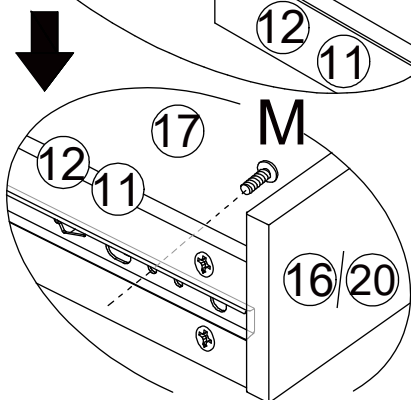
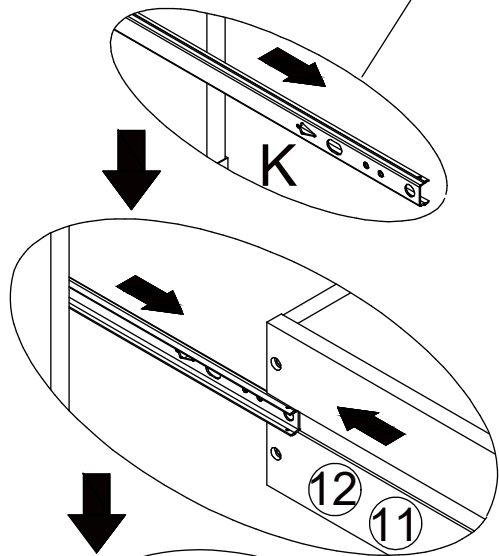
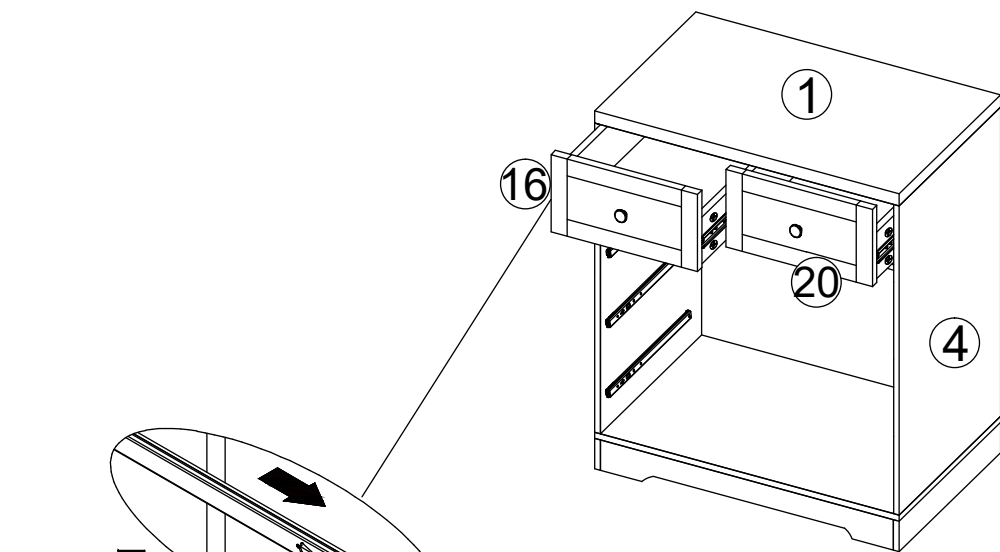


Pre-drill hole in wall

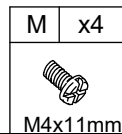


G	x2	H	x2	I	x2	F	x2
							
M4x14mm						M4x30mm	

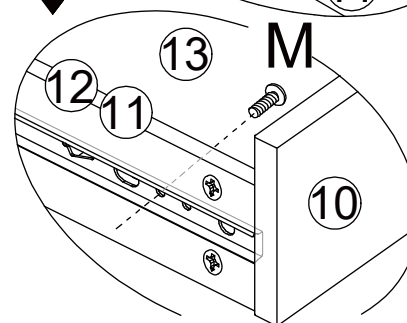
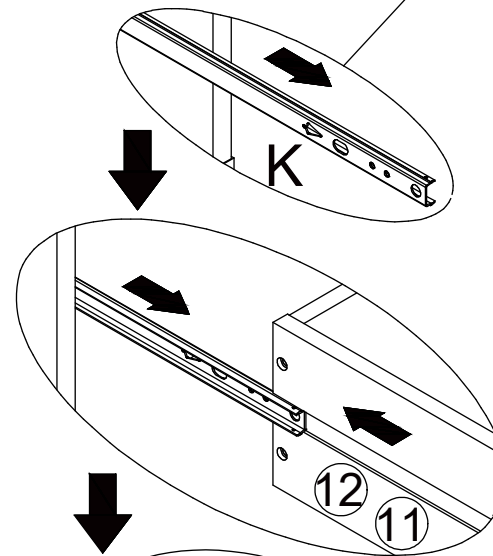
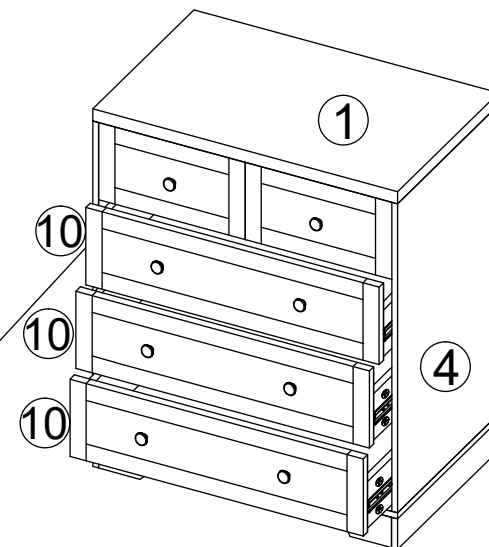
20



Screw from the inside of the drawers



21



Screw from the inside of the drawers

