
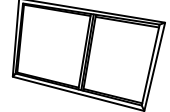
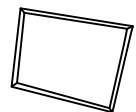
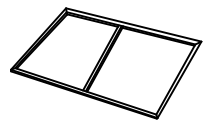
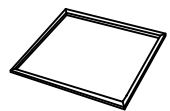
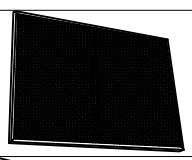

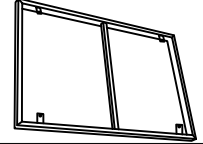
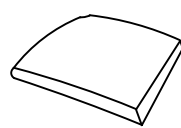
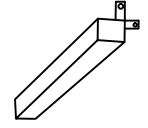
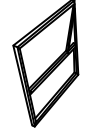
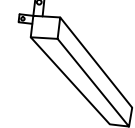


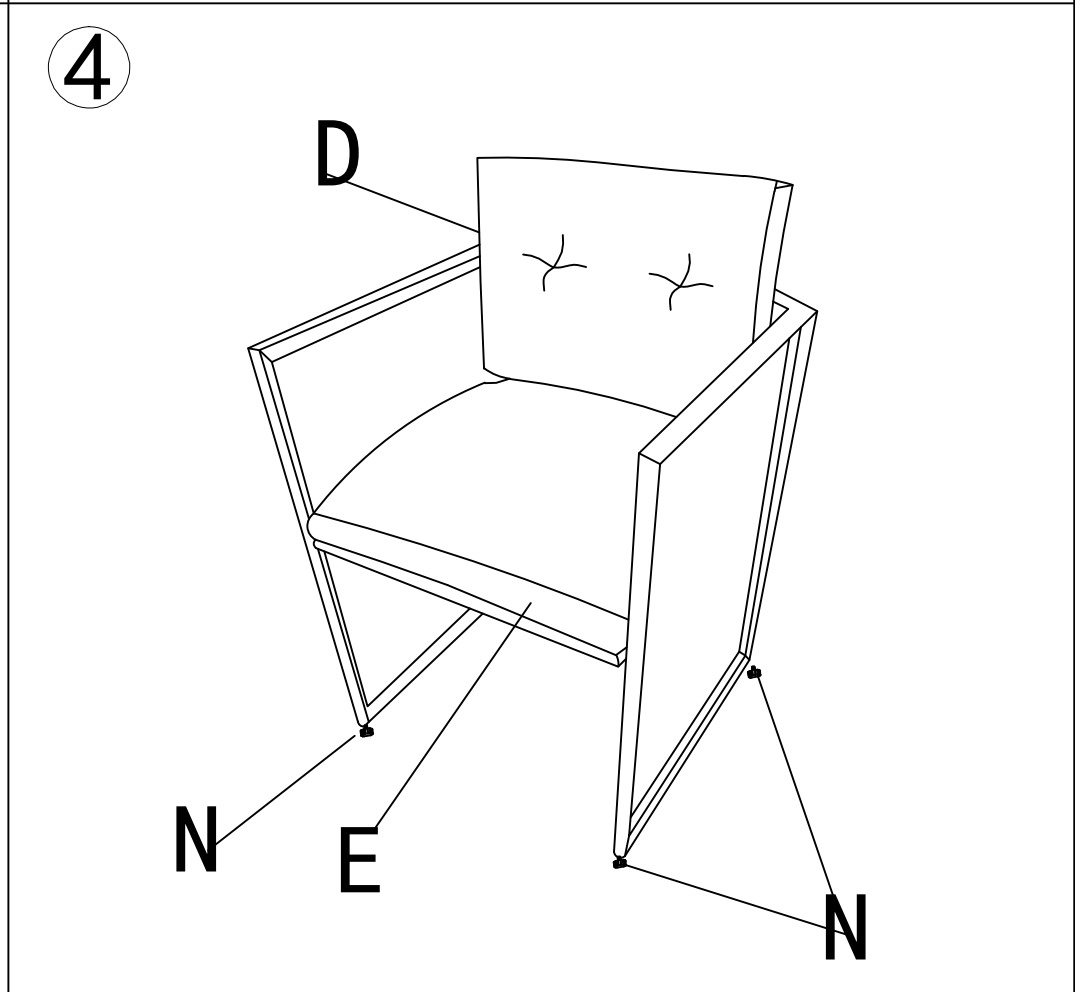
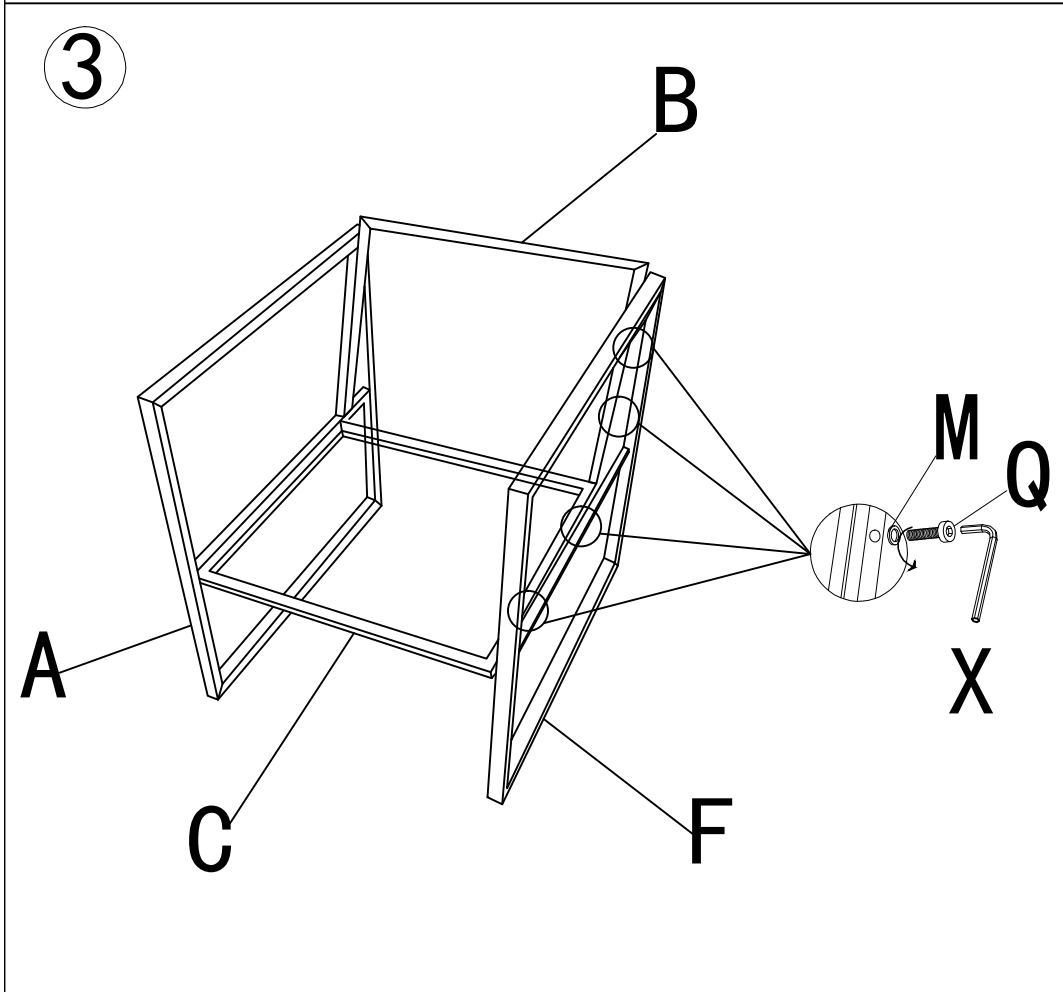
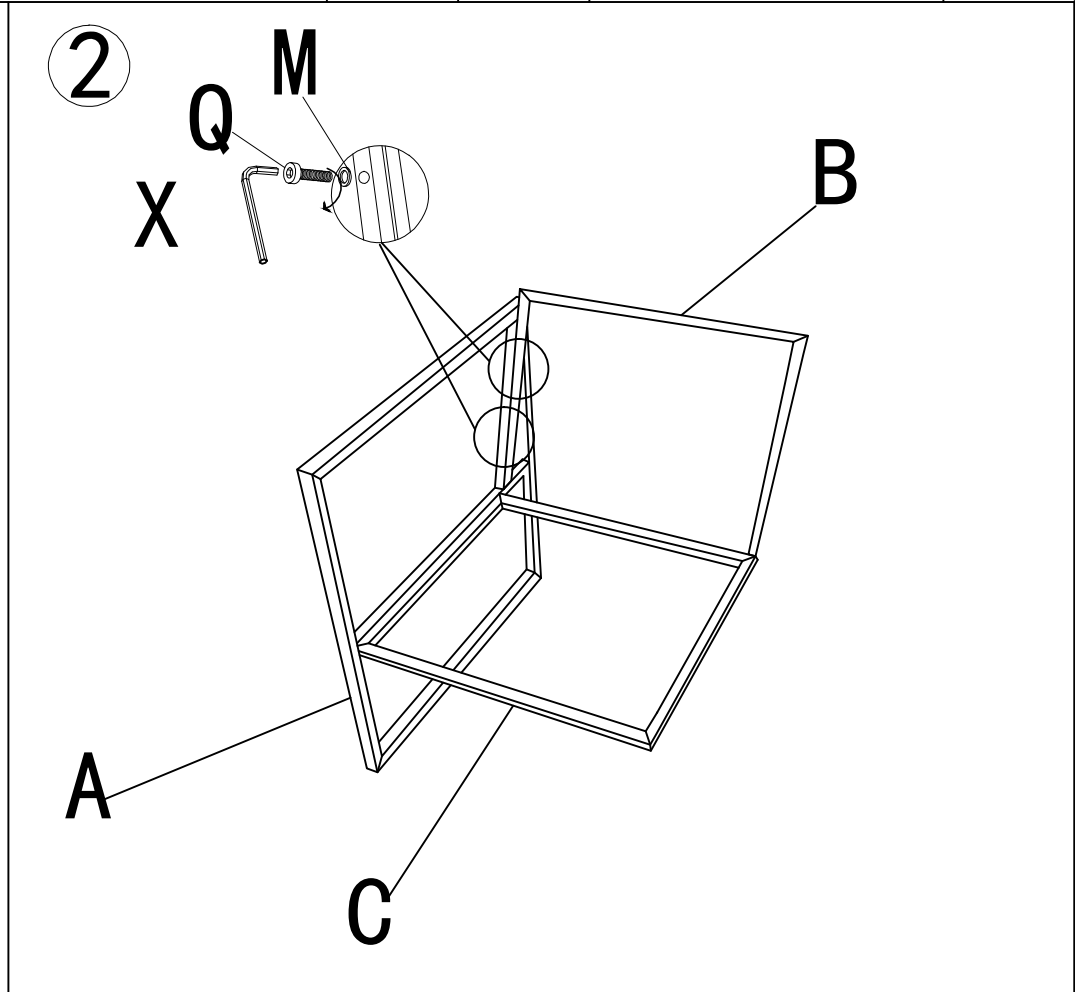
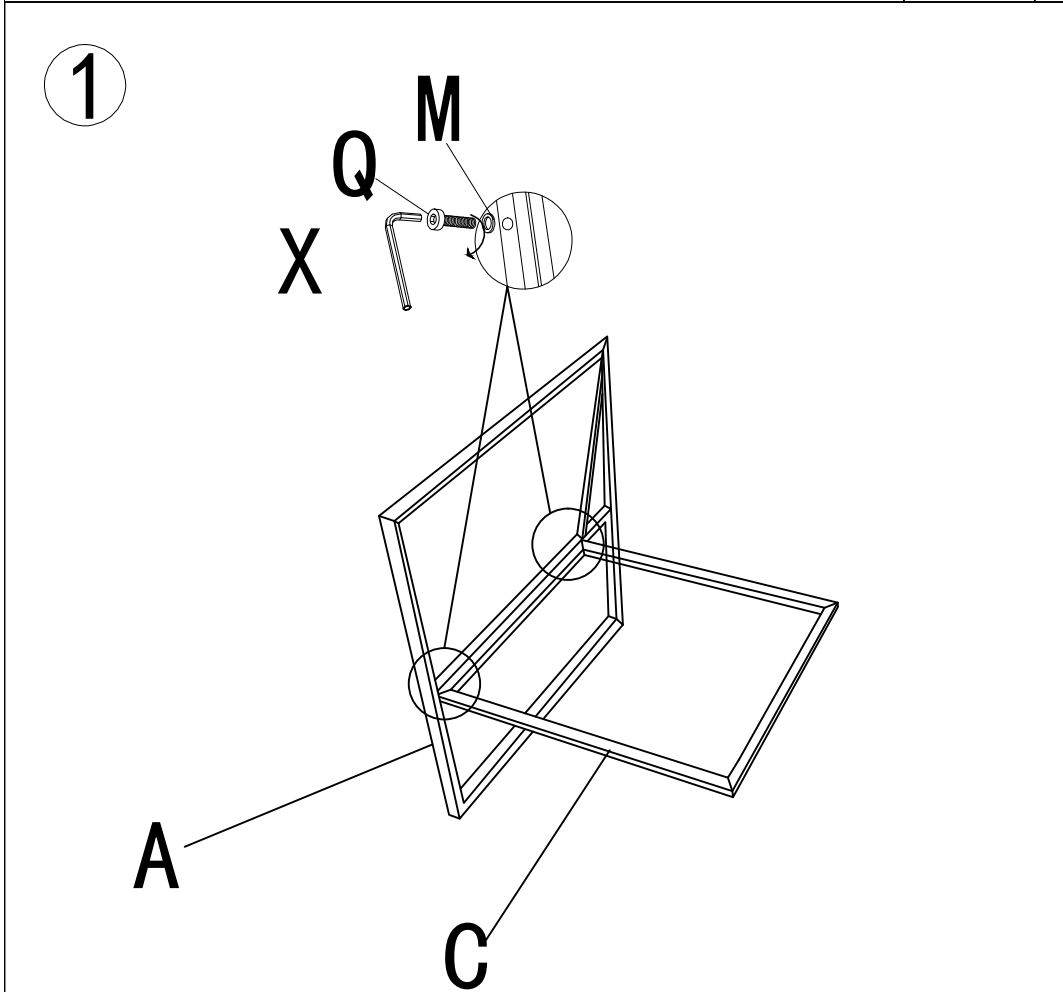
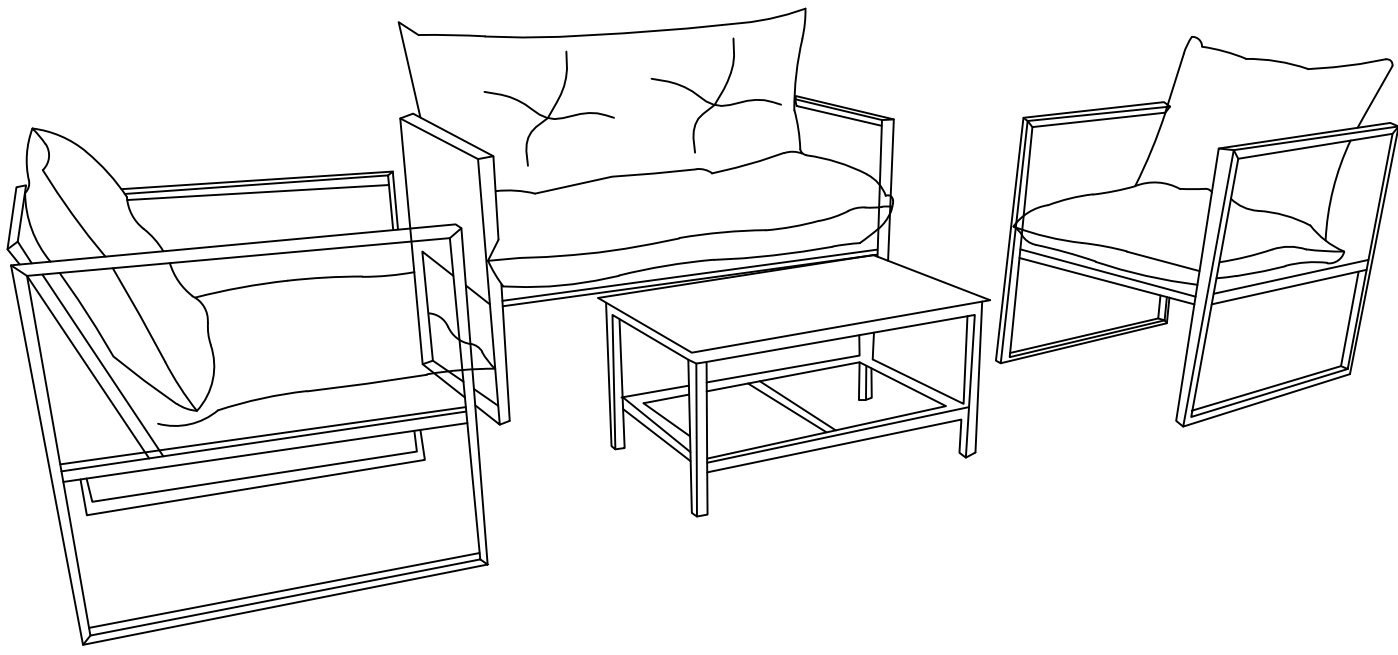




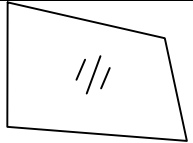

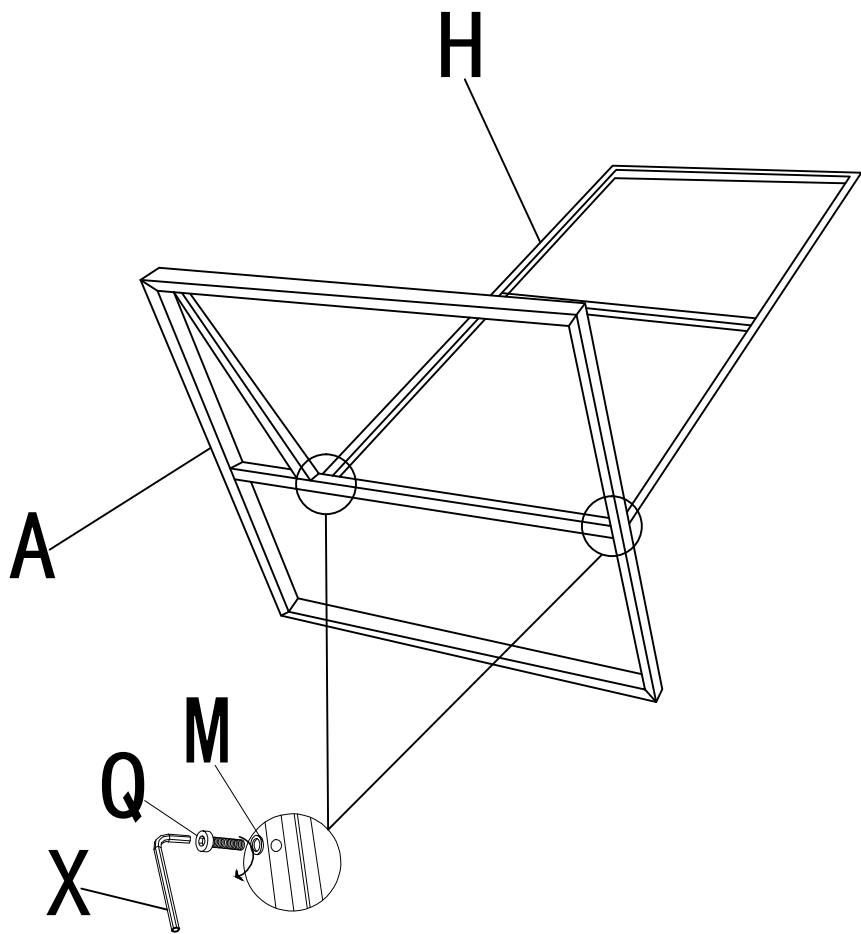
	A		3	G		1
	B		2	H		1
	C		2	R		1
	D		2	J		1
	E		2	K		2
	F		3	L		2
	O		1	P		1



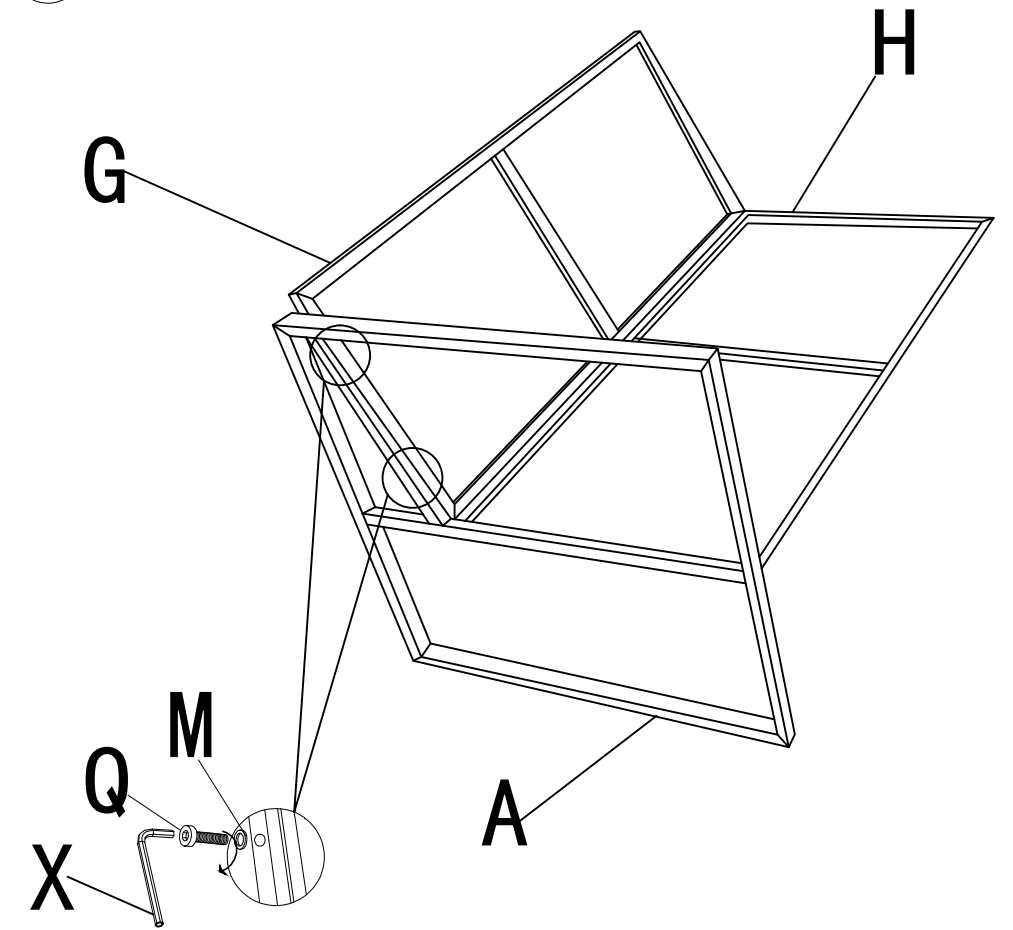


Q	 M6*35	24
M		36
Z	 M6*15	12
X		1
Y		1
N		12

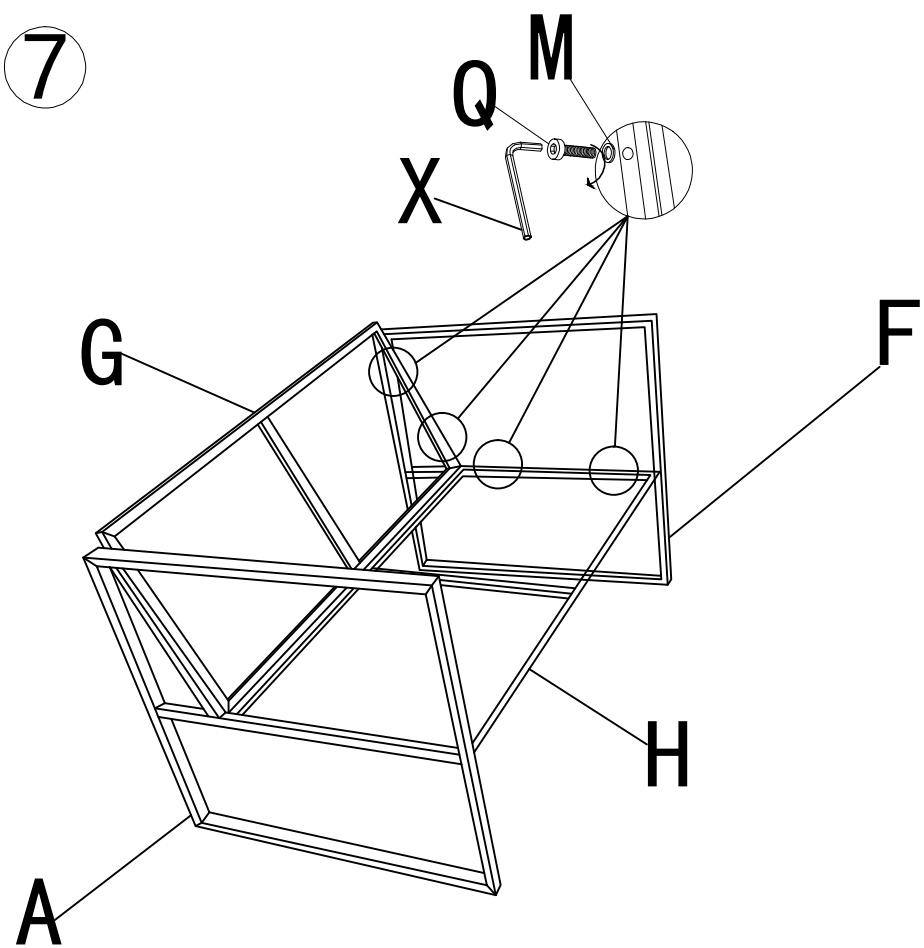
5



6



7



8

