

# **SUN LOUNGE**

**SL-B1-BK/BRBG/GYBG**

**USER MANUAL**

Have Your attention

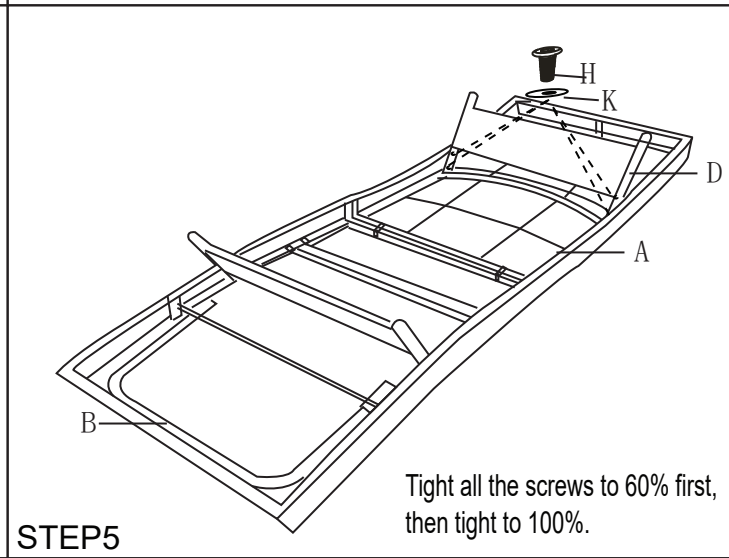
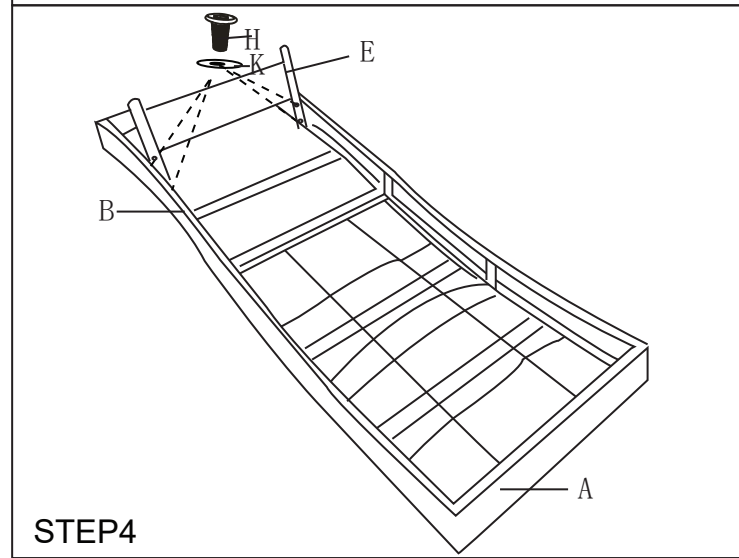
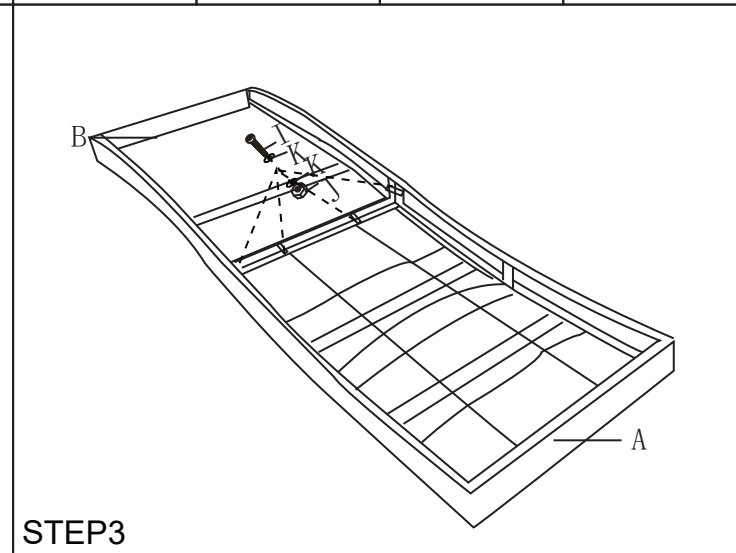
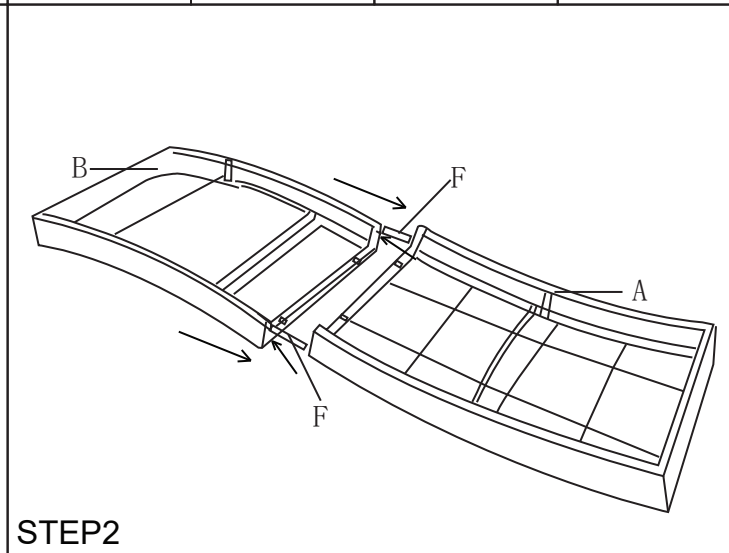
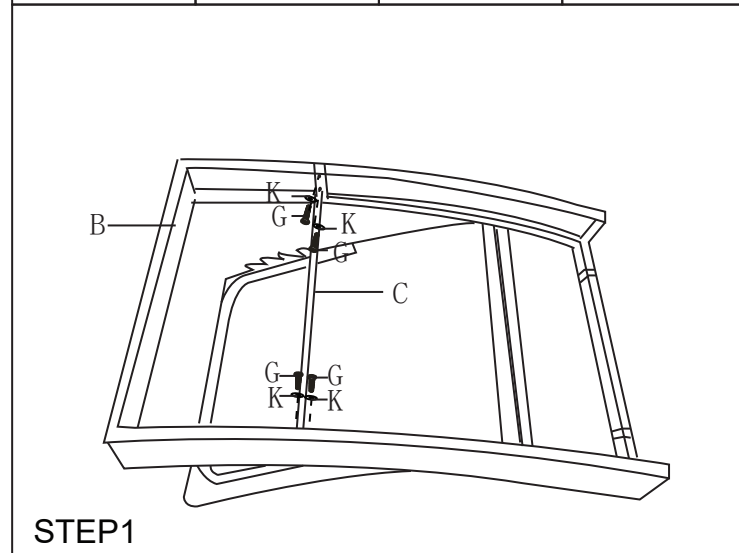
(1) Do not tighten the screws until making surer all the screws are lining up with the hoes, otherwise some screws may not line up with the holes.

(2) If this situation occurs during assembly, please loosen the screws which have been tightened, make sure all the screws line up with all the holes, tighten a little and then tighten them in diagonal way again.

(3) If the product is uneven after installation, please loosen the screws, put strength on the frame, make sure all the legs are in the same level and then go on assembling it.

# ASSEMBLY INSTRUCTION

AX1 	BX1 	CX1 	DX1 	EX1 	FX2 	GX4  M6X20mm	HX8  M6X45mm	IX8  M6X65mm	JX4 	KX24 	MX1 	NX1 
---------	---------	---------	---------	---------	---------	--------------------	--------------------	--------------------	---------	----------	---------	---------



Tight all the screws to 60% first, then tight to 100%.

