



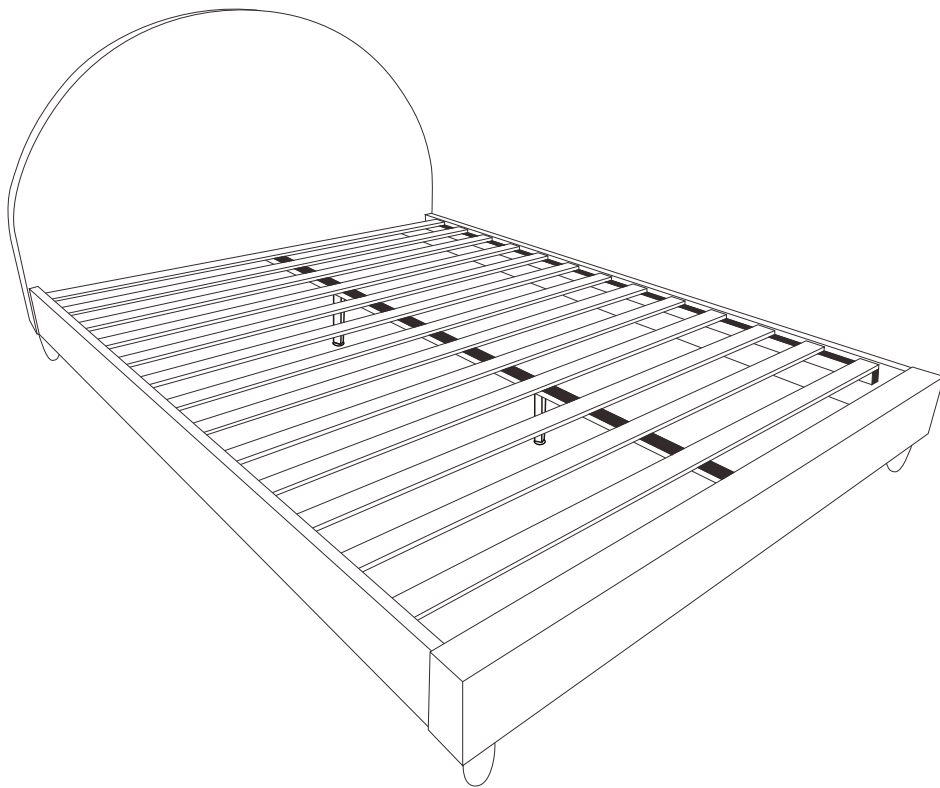
ASSEMBLY DIAGRAM

VANK BED

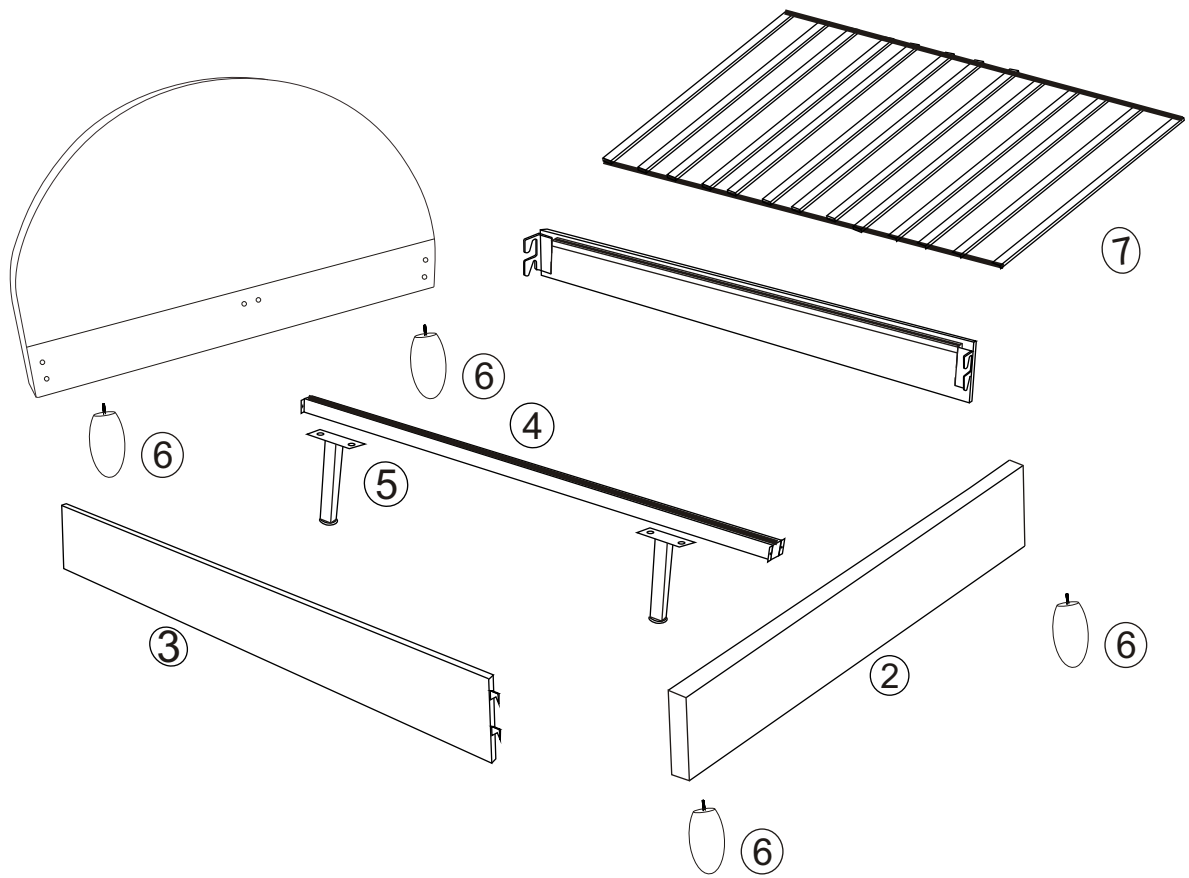
BF-B-VANK-KS/BF-B-VANK-D/BF-B-VANK-Q

IMPORTANT NOTE:

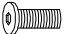





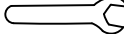

- * PLACE ALL PARTS ON A CLEAN AND SMOOTH SURFACE SUCH AS A RUG OR CARPET TO AVOID THE PARTS FROM BEING SCRATCHED.
- * KINDLY FOLLOW THE ASSEMBLY INSTRUCTIONS STEP BY STEP.
- * DO NOT TIGHTEN ALL SCREWS UNTIL THE BED IS FULLY SET-UP.



Parts



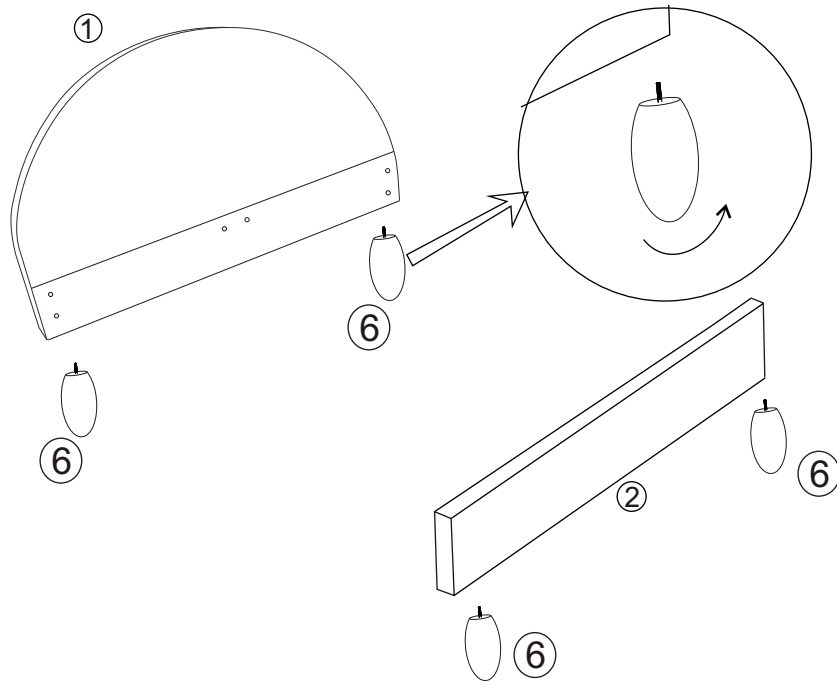
Fittings

(A)  Bolts (M8x30mm) 12pcs	(B)  Spring Washer 8pcs	(C)  Flat Washer 8pcs	(E)  Bolts (M8x40mm) 4pcs	(G)  Screw (4.0x35mm) 6pcs
(H)  Nuts 4pcs	(I)  Spanner 1pc	(J)  M6 Allen Key 1pc		





Please refer to the instruction words before installing it.

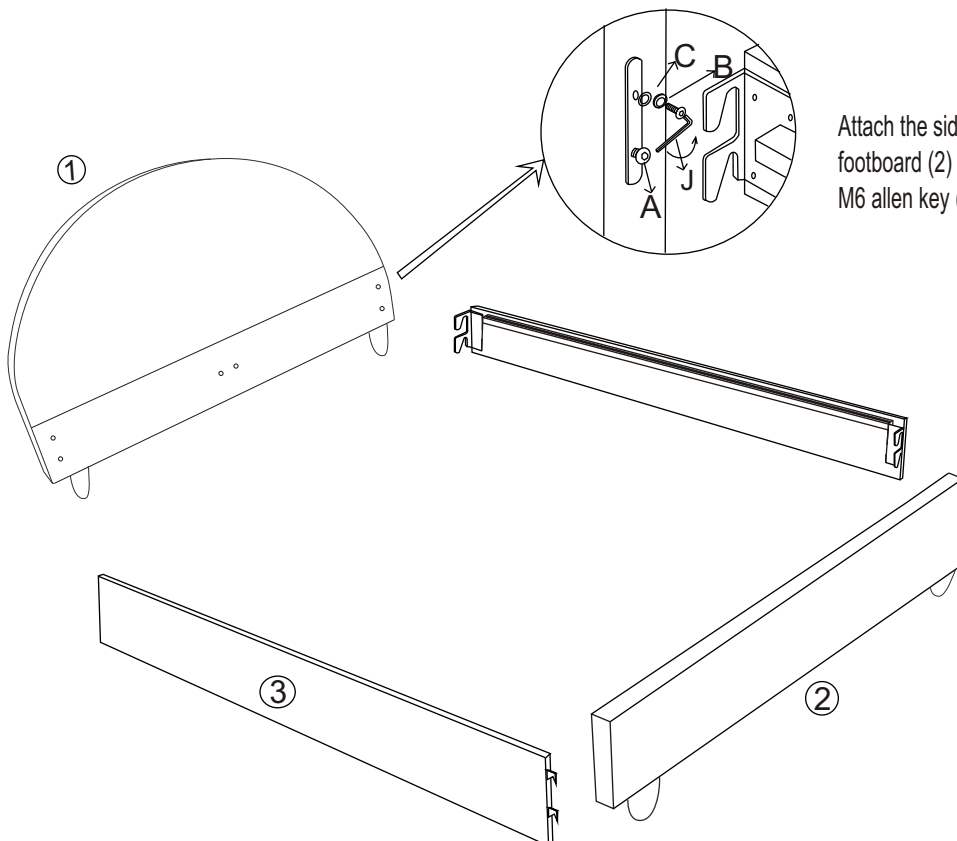
Step 1

To fix the legs (6) to the headboard (1) .
To fix the legs (6) to the footboard (2)



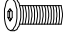


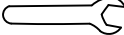

Step 2

A 	B 	C 	J 
Bolts (M8x30mm) 8 pcs	Spring Washer 8pcs	Flat Washer 8pcs	M6 Allen Key 1pc

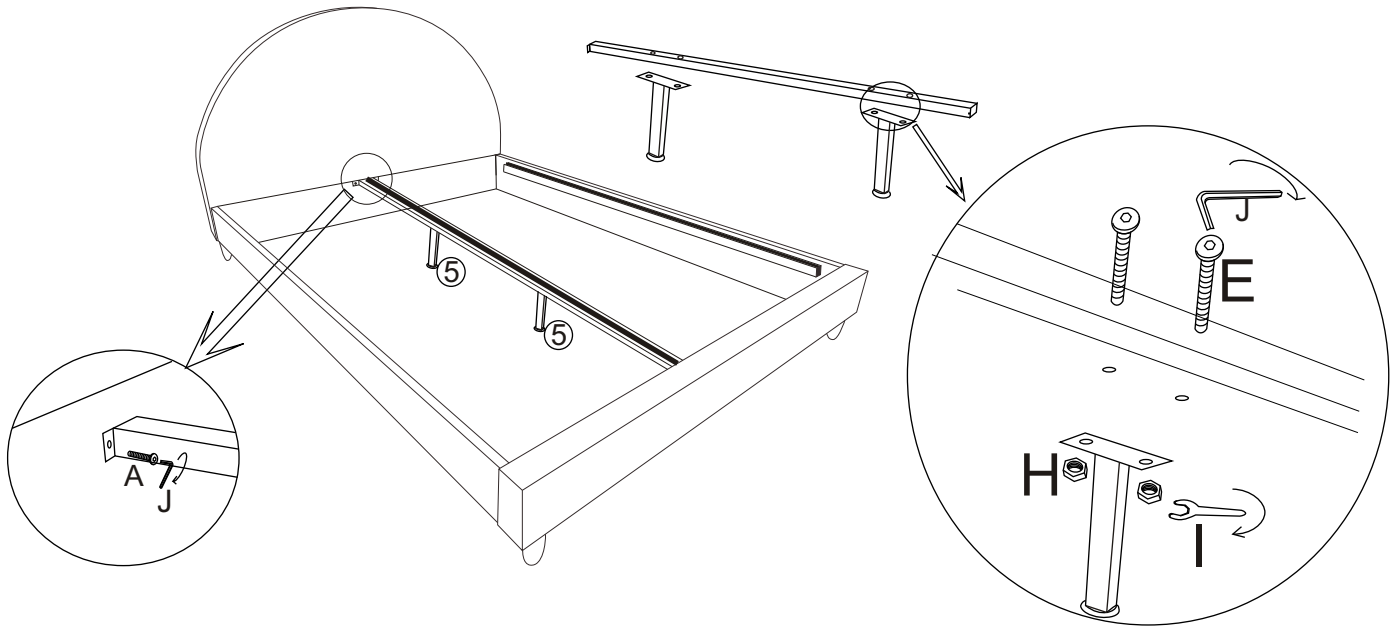


Attach the side rails(3)to the headboard (1) and footboard (2) using hardware parts A. B. C and M6 allen key (J) .


Step 3

A  Bolts (M8x30mm) 4 pcs	E  Bolts (M8x40mm) 4pcs	H  Nuts 4pcs	I  Spanner 1pc	J  M6 Allen Key 1pc
--	---	--	--	---

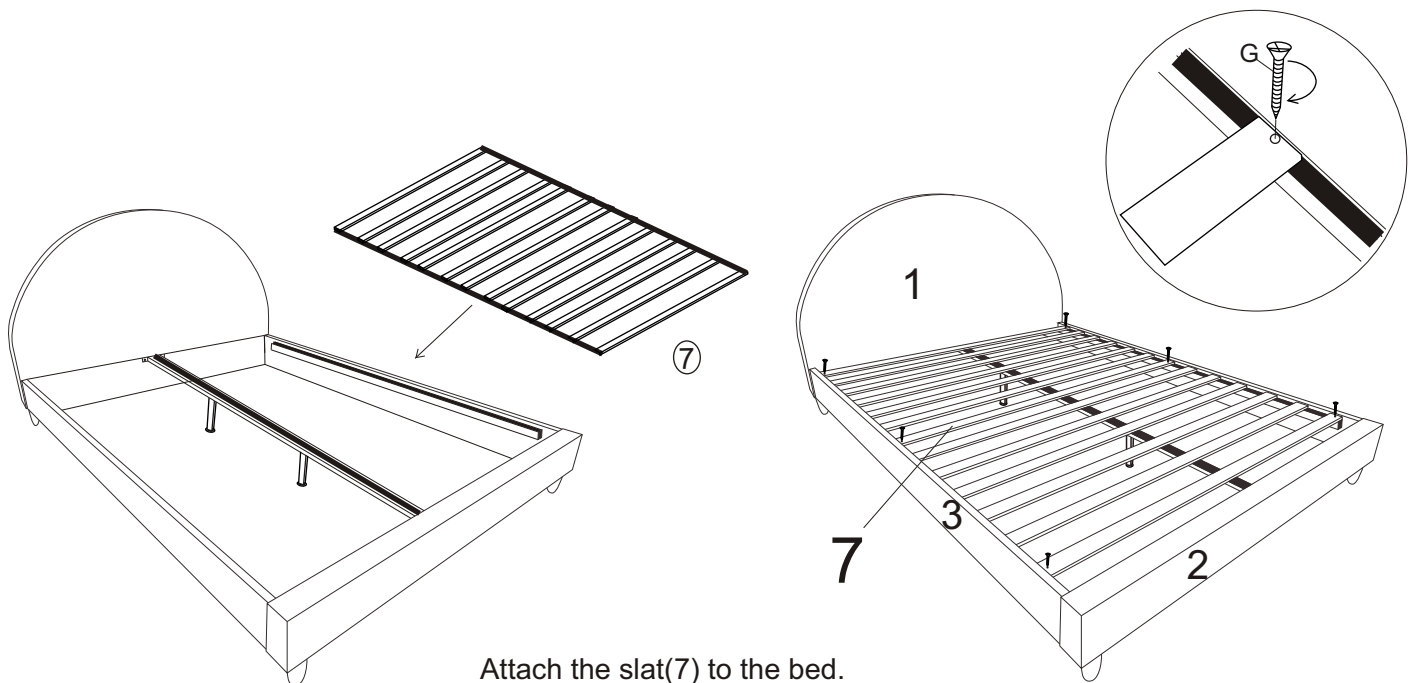
Attach the centre support bar(4)to the headboard (1) and footboard (2) using hardware parts A, J.
"Attach the support legs(5)to the centre support bar(4) using hardware parts E,H, J and F.



Step 4

G  Screw (4.0x35mm) 6pcs
--

Attach the slat (7) to the side rail (3) with screw (G) as shown.



Attach the slat(7) to the bed.