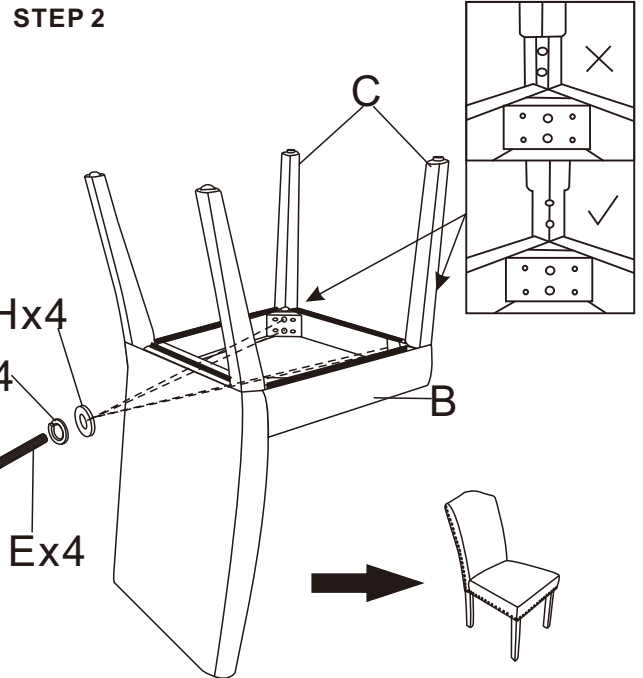
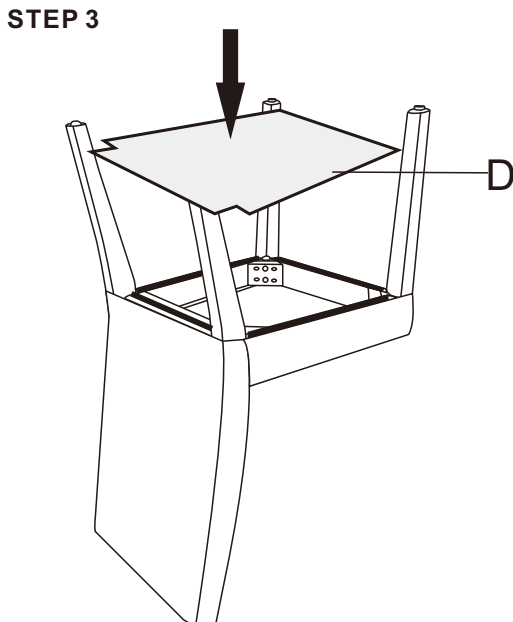


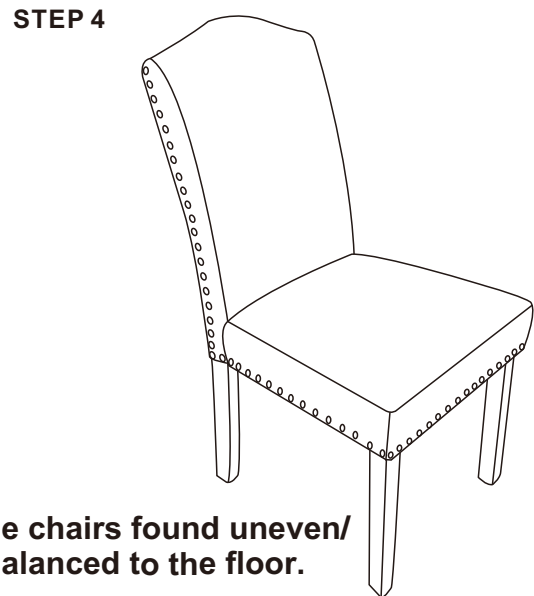
1. First have all legs with bolts and washers 80% tightened.



2. Secondly place the chair upright and sit on to level leg positions.



3. Proceed to tighten all bolts securely if the chair is leveled.



if the chairs found uneven/unbalanced to the floor.

4. please loosen all screws E(80%fixed), and repeat step 2 to check if the chair is balanced to the floor,press the seater if found uneven,then 100% tighten again.



WARNINGS

- Do not stand on the product. Do not use it as a step ladder.
- Do not use the product until all screws are securely fastened.
- Do not use a knife to open any parts of the packaging.