



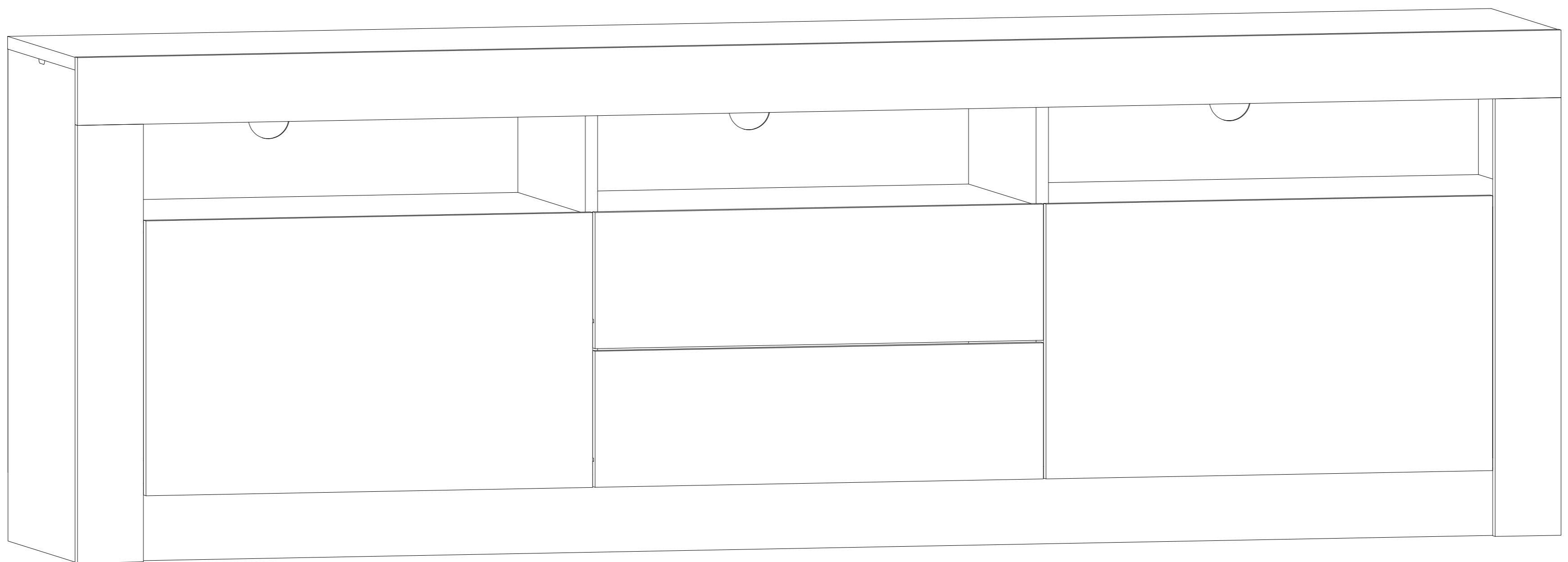
# TV STAND

SKU: EU-BD-D2-180-WH/BK

Size: 1800x350x600 mm

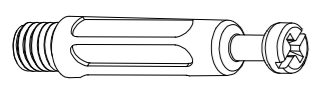
## WARNING

THIS PRODUCT CONTAINS A BUTTON BATTERY  
If swallowed, a lithium button battery can cause severe or fatal injuries within 2 hours.  
Keep batteries out of reach of children.  
If you think batteries may have been swallowed or placed inside any part of the body, seek immediate medical attention.

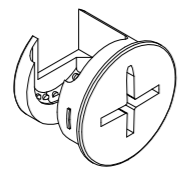


# Hardware

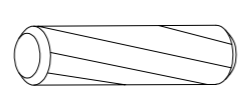
**A** × 59 PCS  
Φ6×40mm



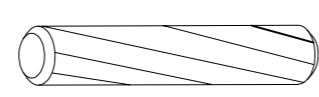
**B** × 59 PCS  
Φ15×9mm



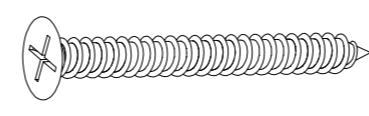
**C** × 38 PCS  
Φ6×30mm



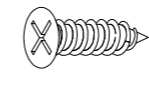
**D** × 4 PCS  
Φ6×50mm



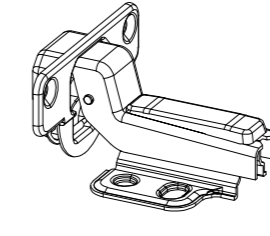
**E** × 14 PCS  
ST3.5×35



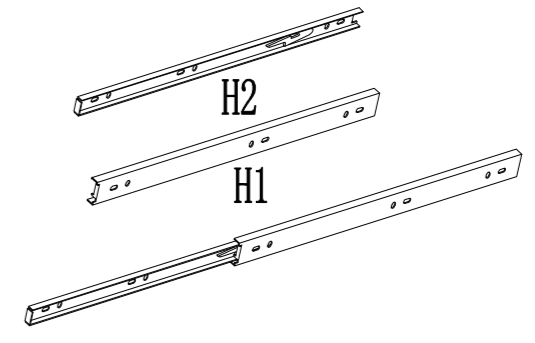
**F** × 50 PCS  
ST3.5×12



**G** × 4 PCS



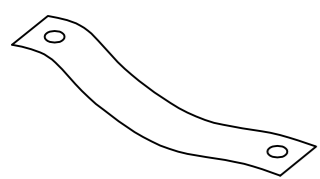
**H** × 4 PCS



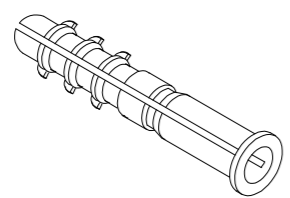
**J** × 4 PCS



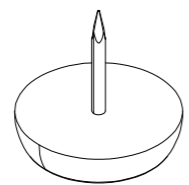
**K** × 2 PCS



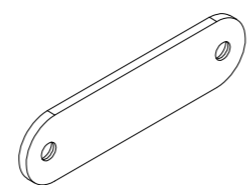
**L** × 2 PCS



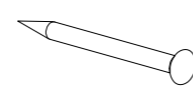
**M** × 6 PCS



**N** × 4 PCS



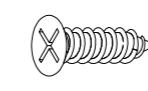
**P** × 16 PCS



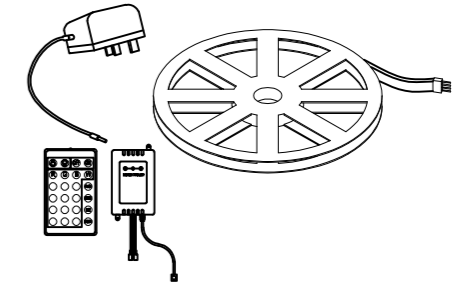
**S** × 2 PCS



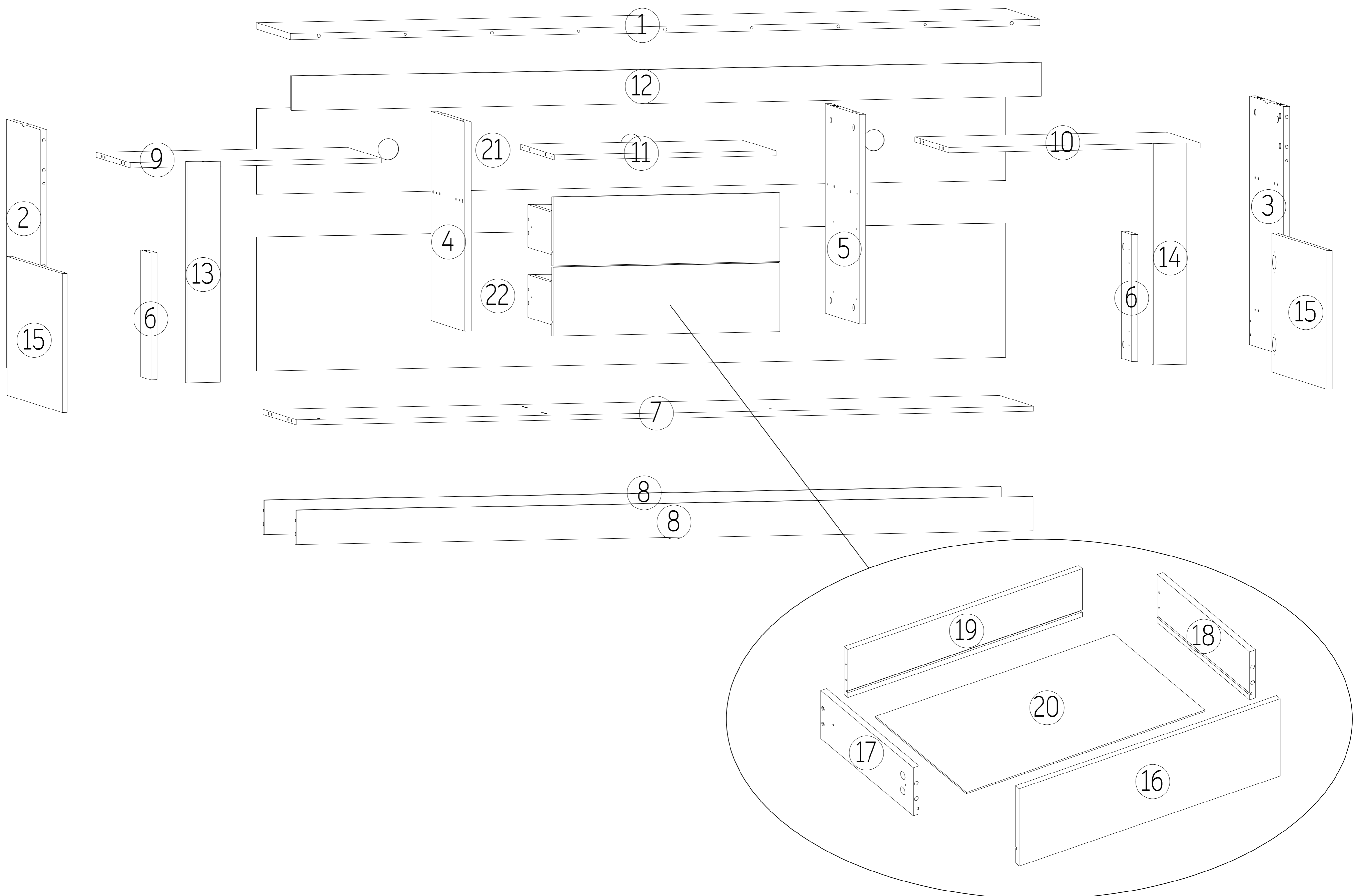
**T** × 4 PCS  
ST3×12



**U** × 1 SET  
Led tape  
Controller  
Power adapter

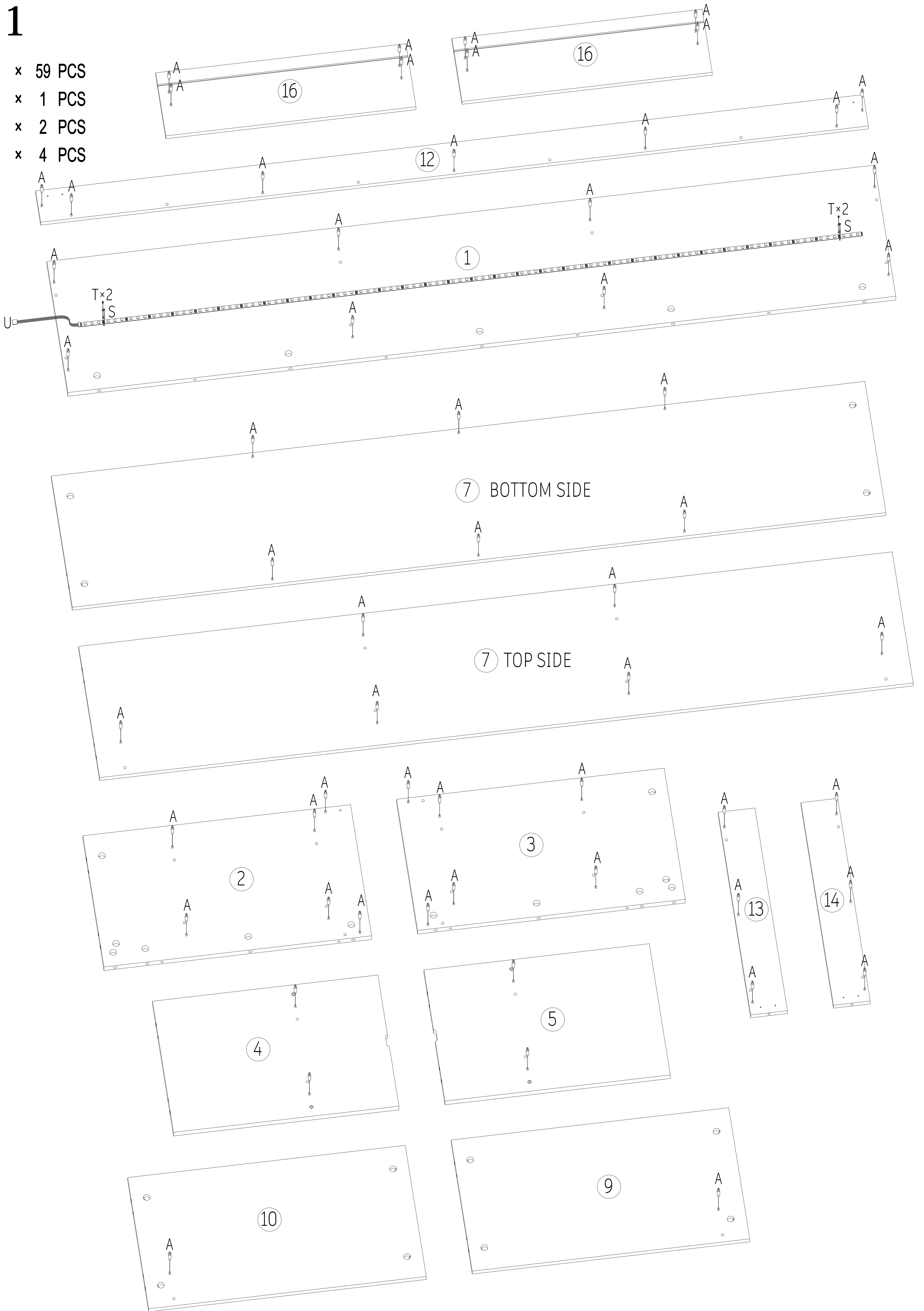


# Exploded view



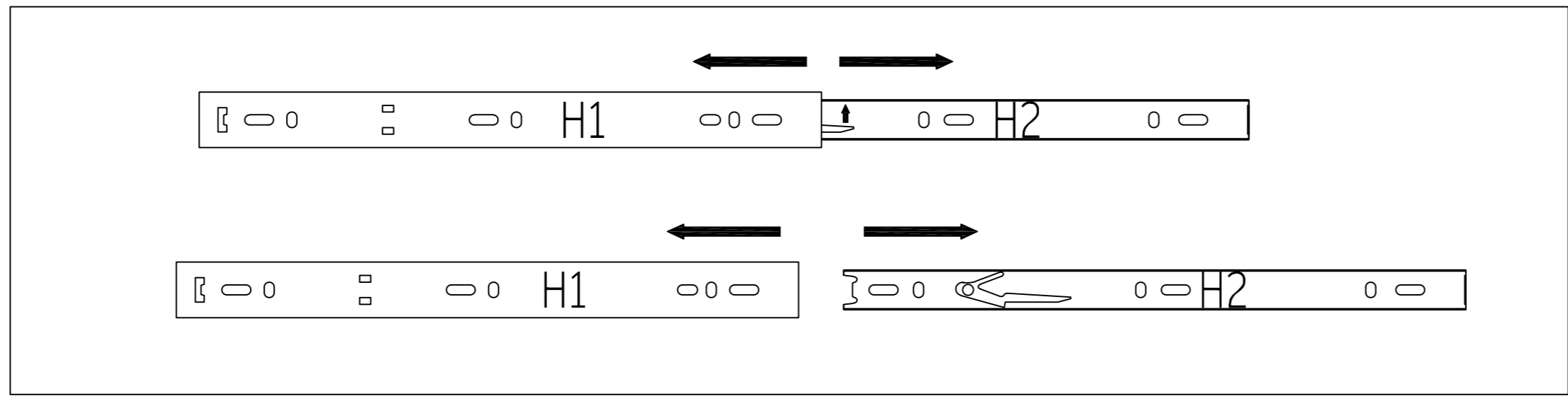
1

- AUST x 59 PCS
- x 1 PCS
- x 2 PCS
- x 4 PCS

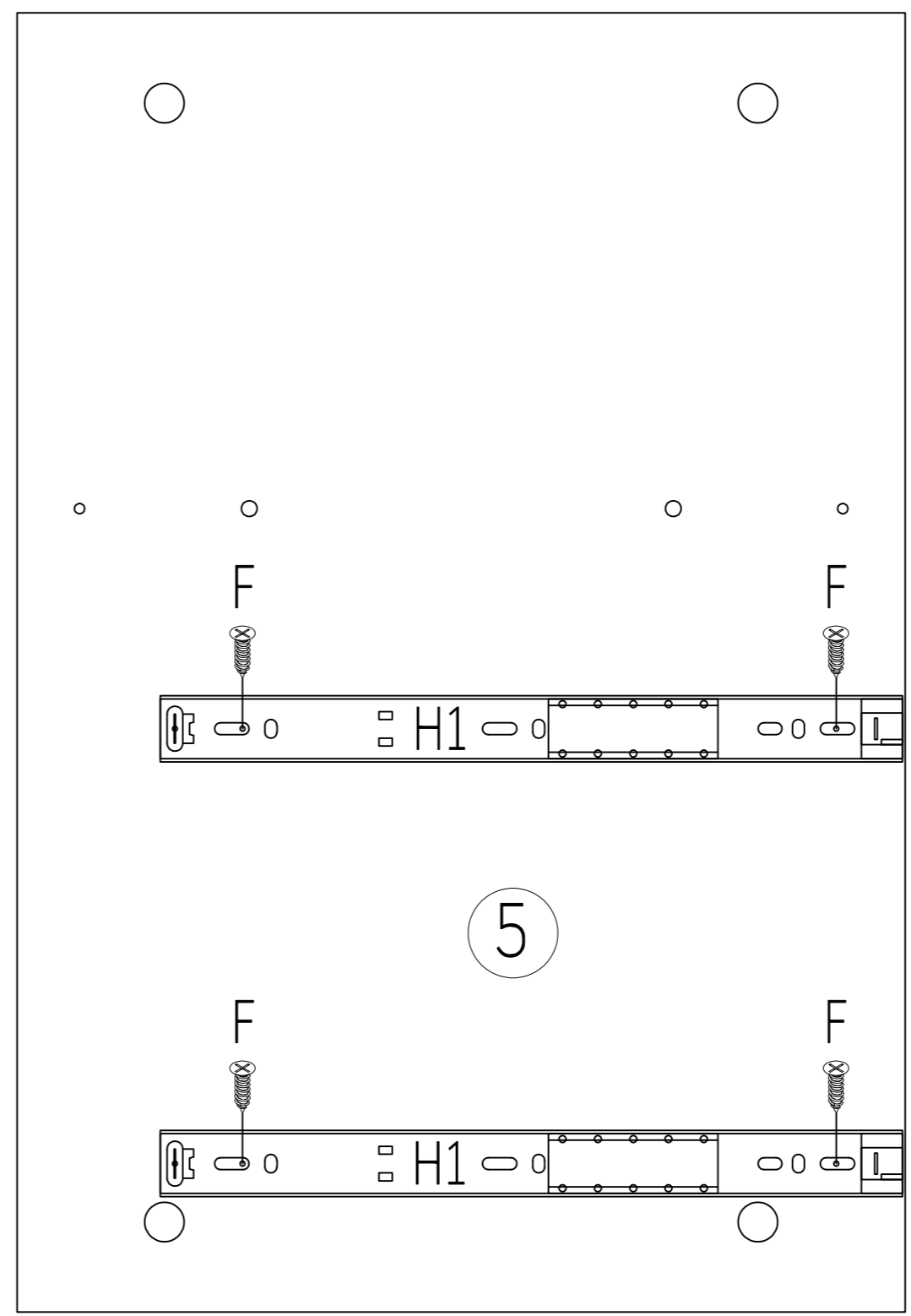
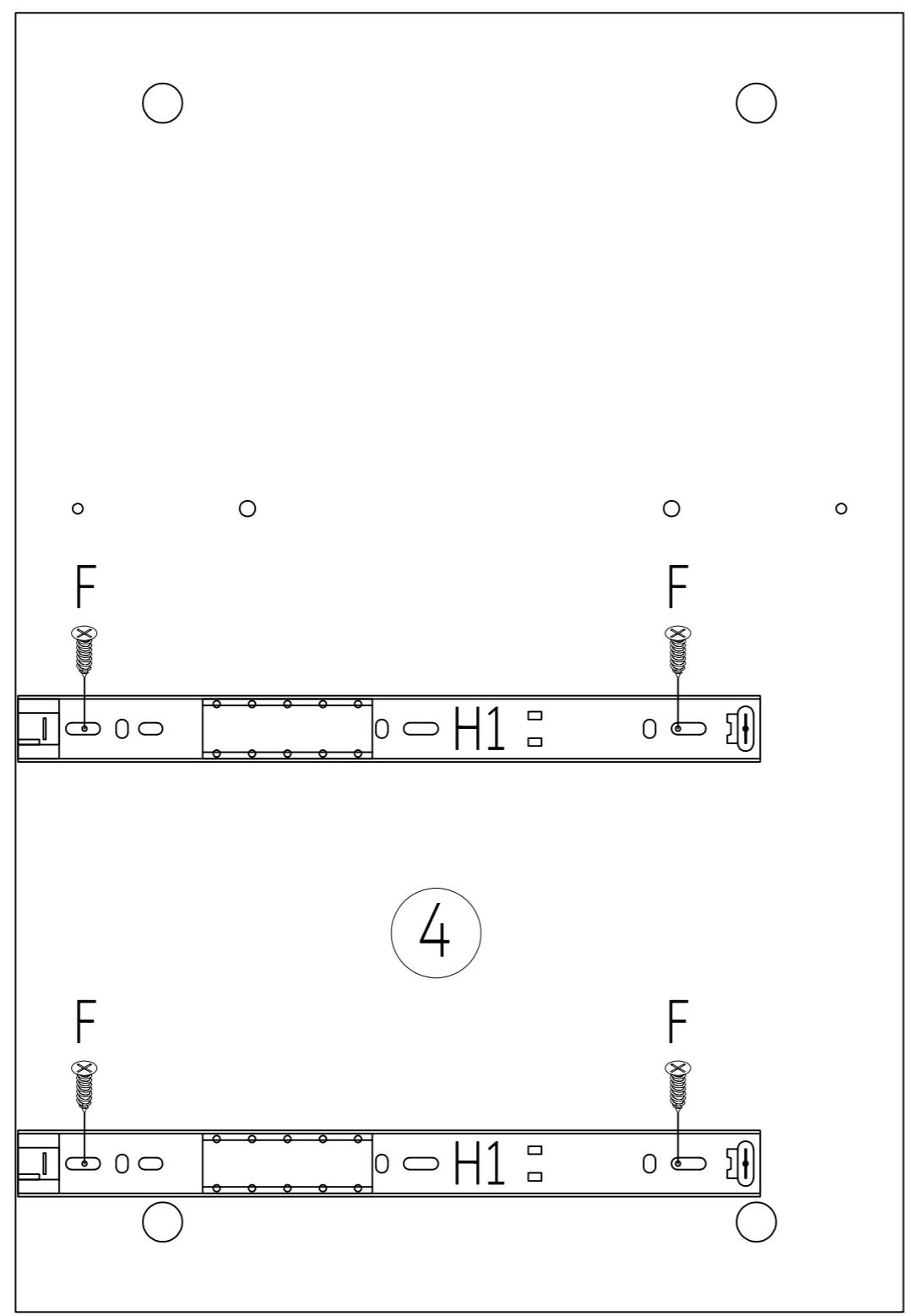


2

F x 8 PCS  
H1 x 4 PCS

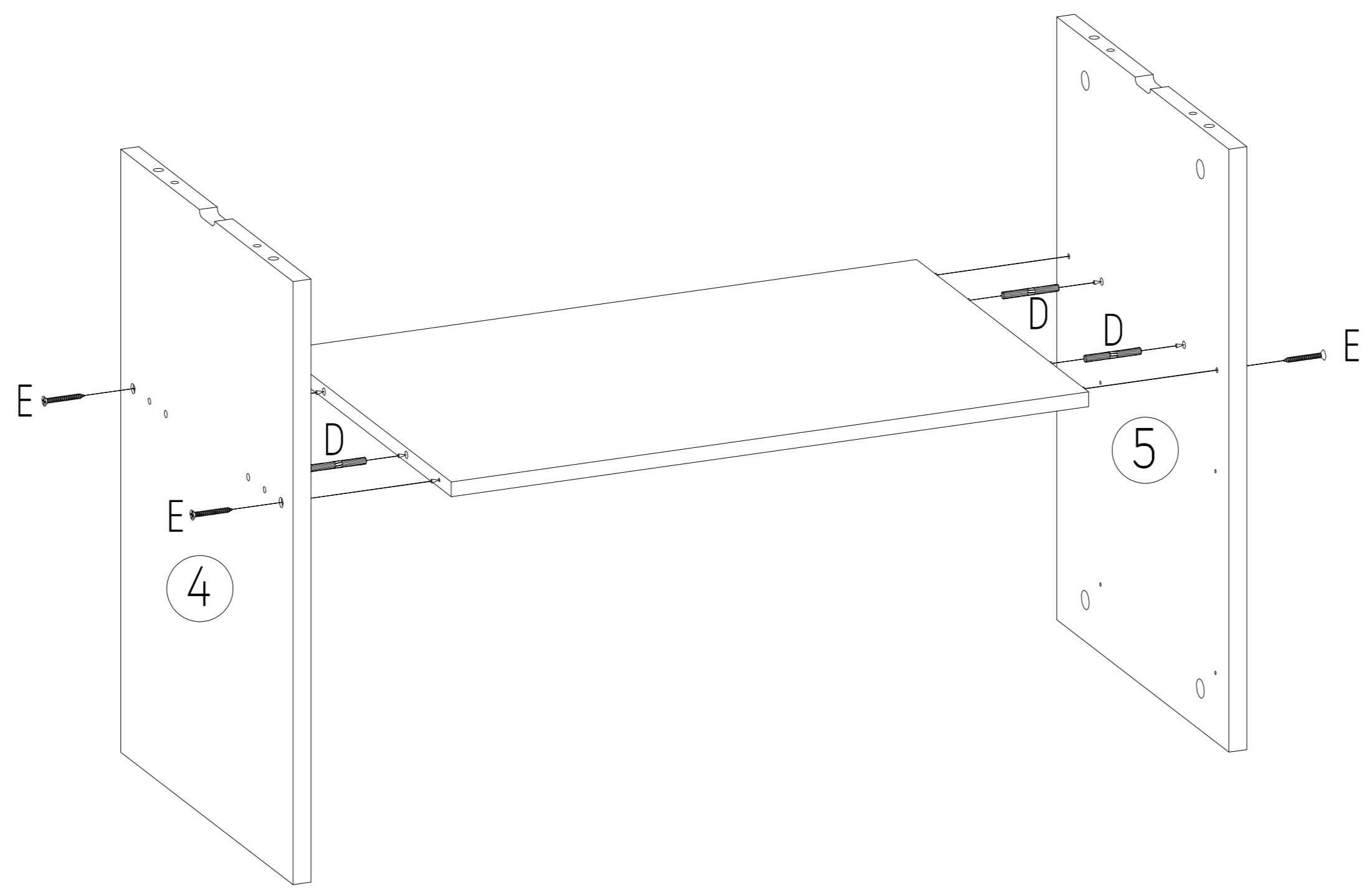


Remove H2 from H1 by pressing the catch as indicated in the drawing.



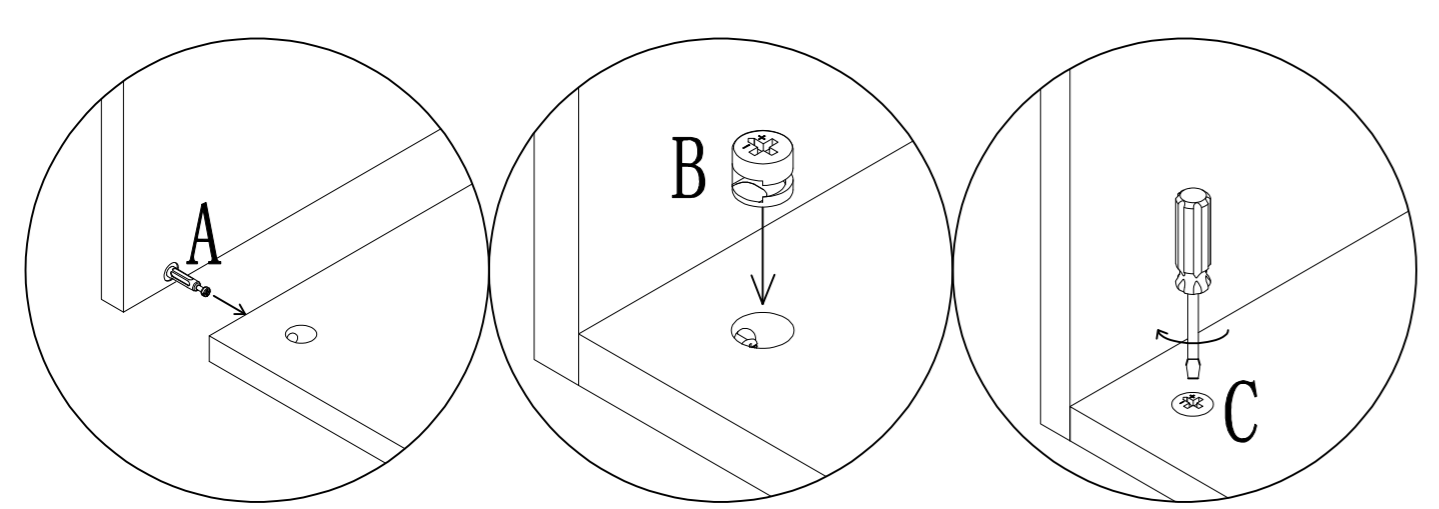
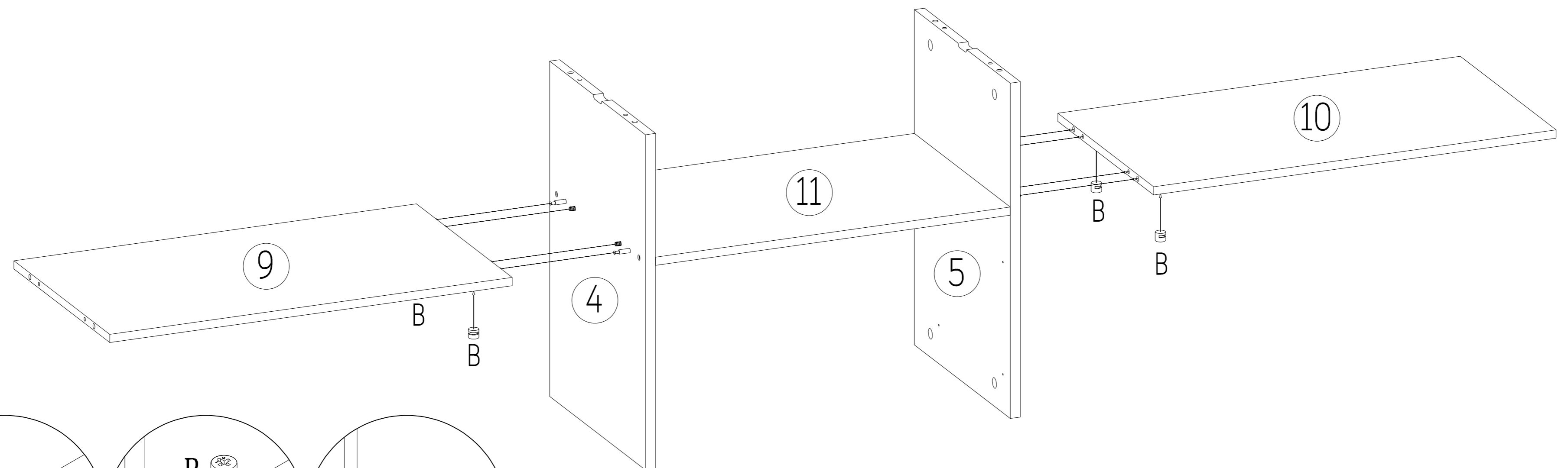
3

D x 4 PCS  
E x 4 PCS



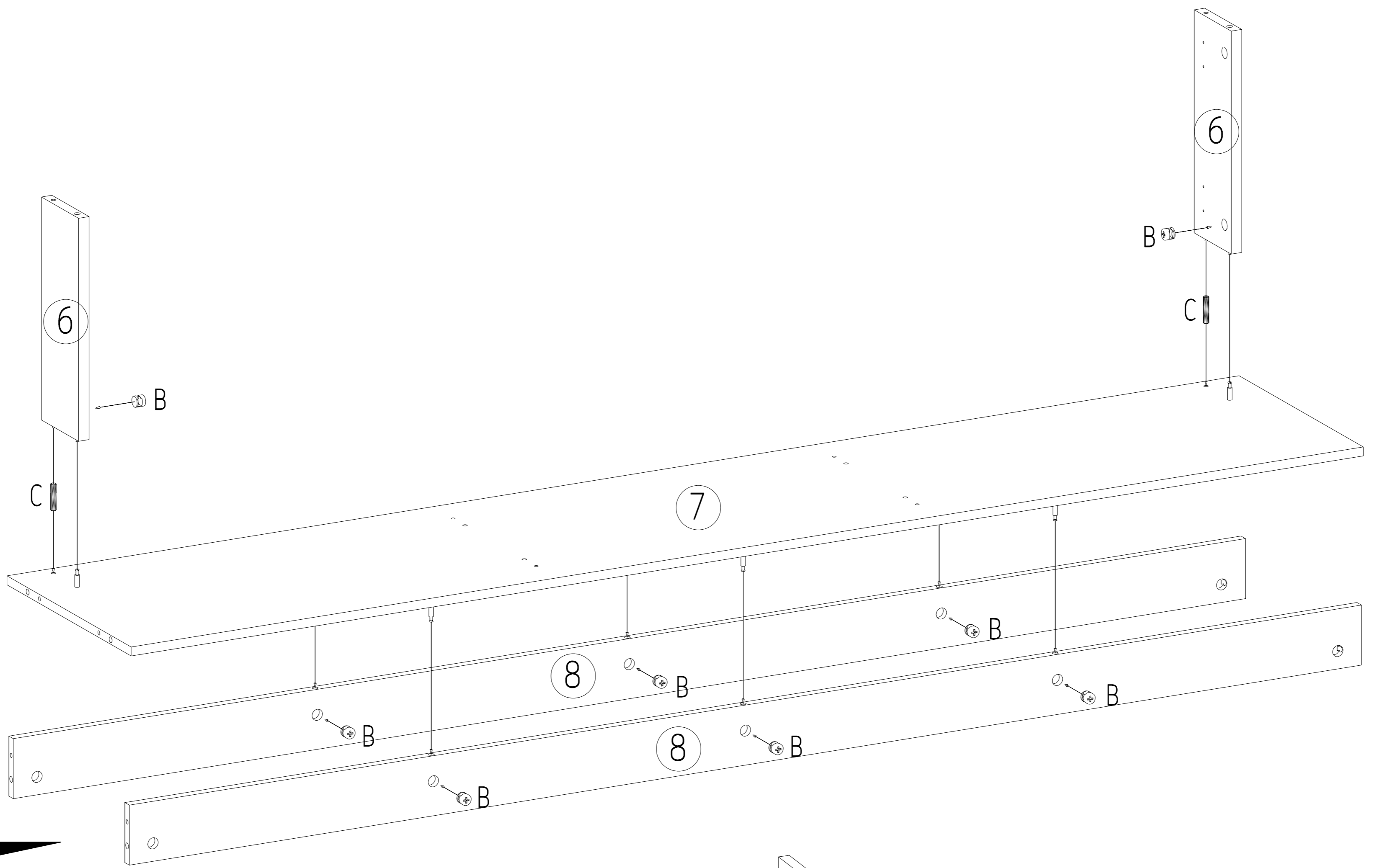
4

B x 4 PCS



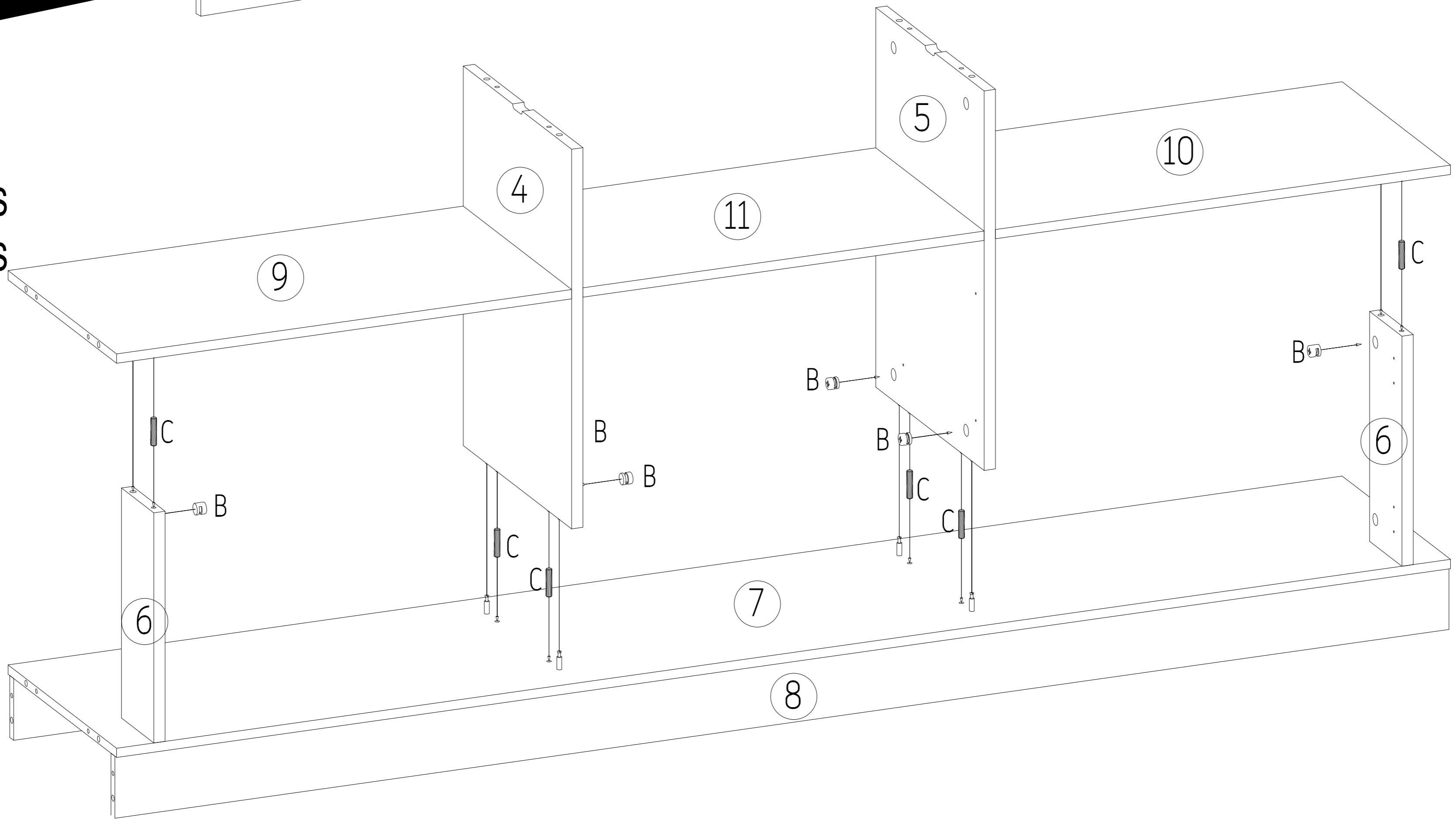
5

B x 8 PCS  
C x 2 PCS



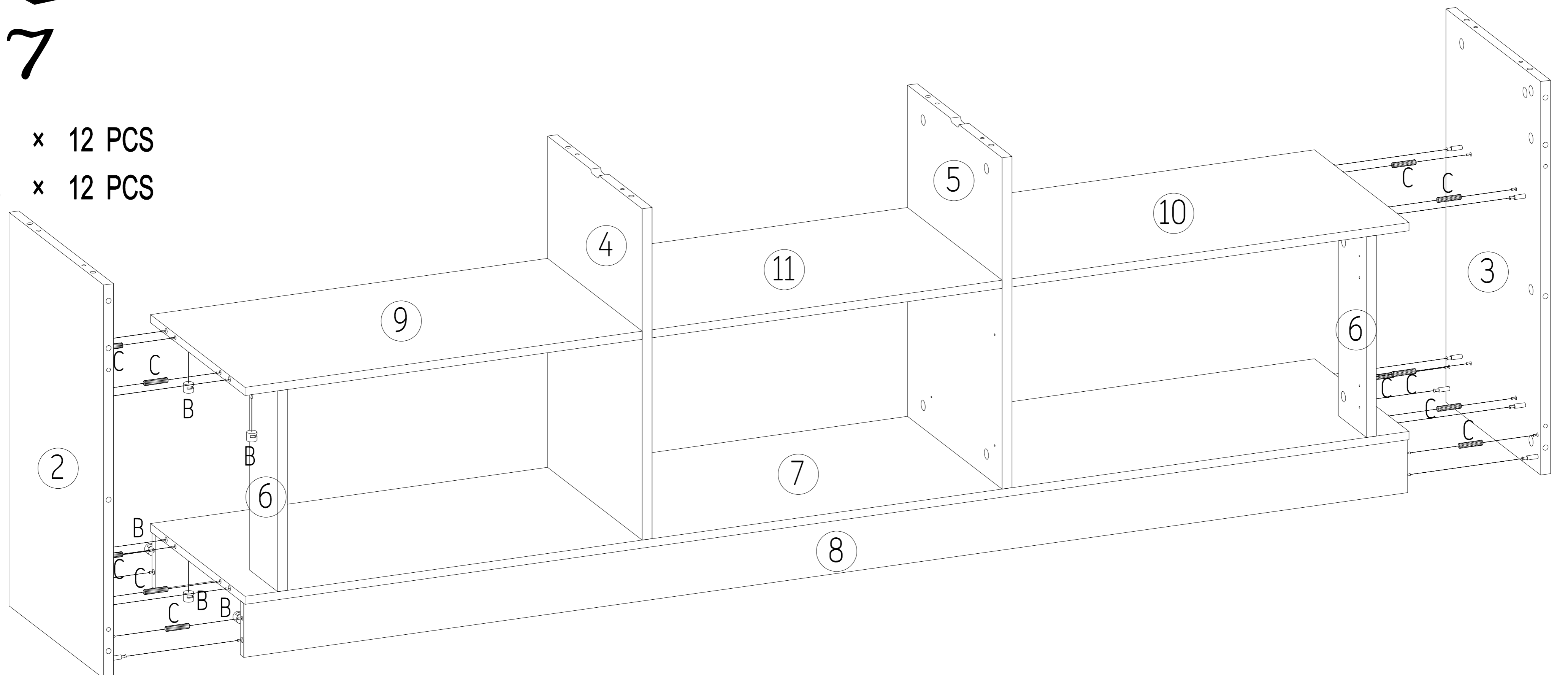
6

B x 6 PCS  
C x 6 PCS



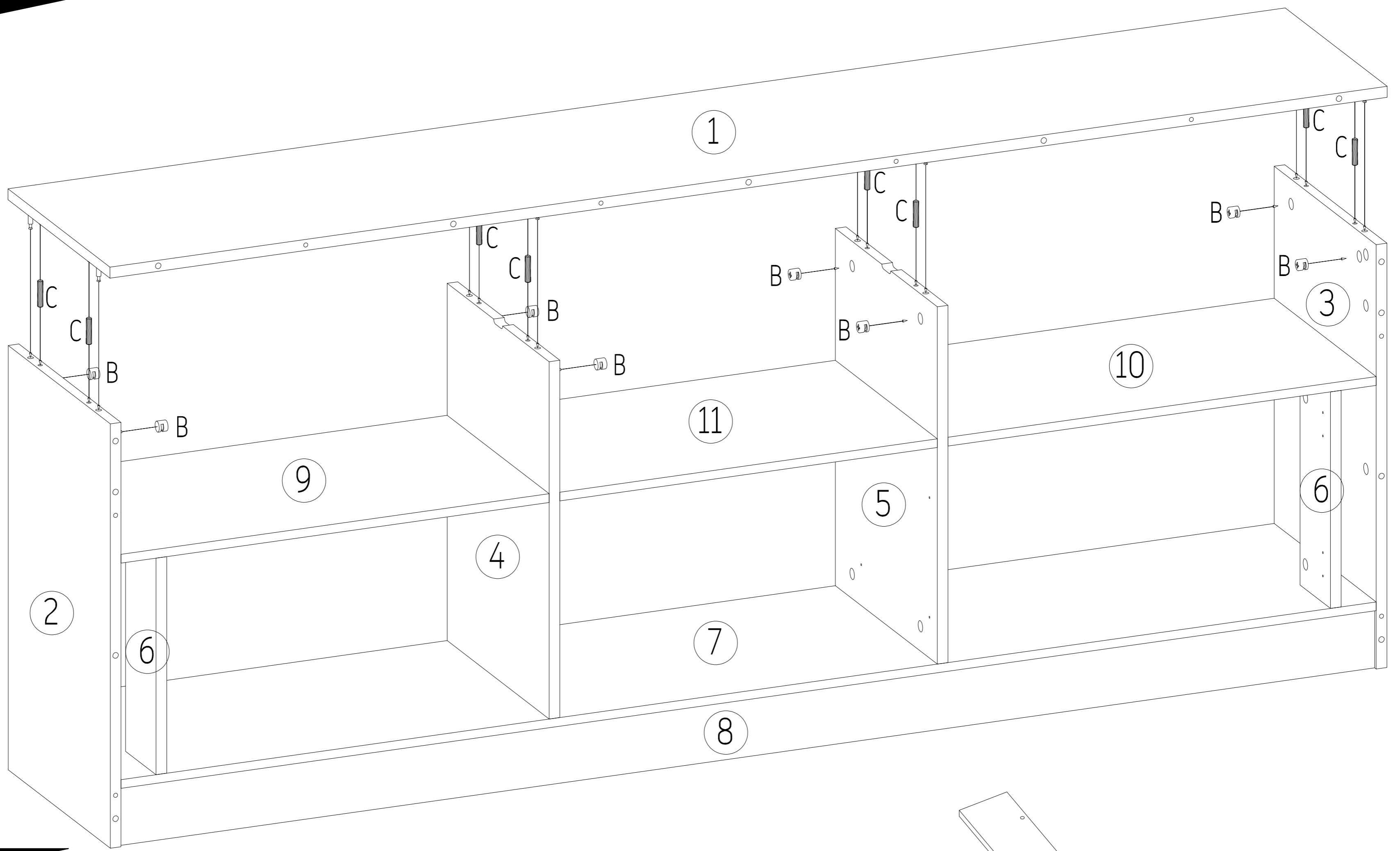
7

B x 12 PCS  
C x 12 PCS



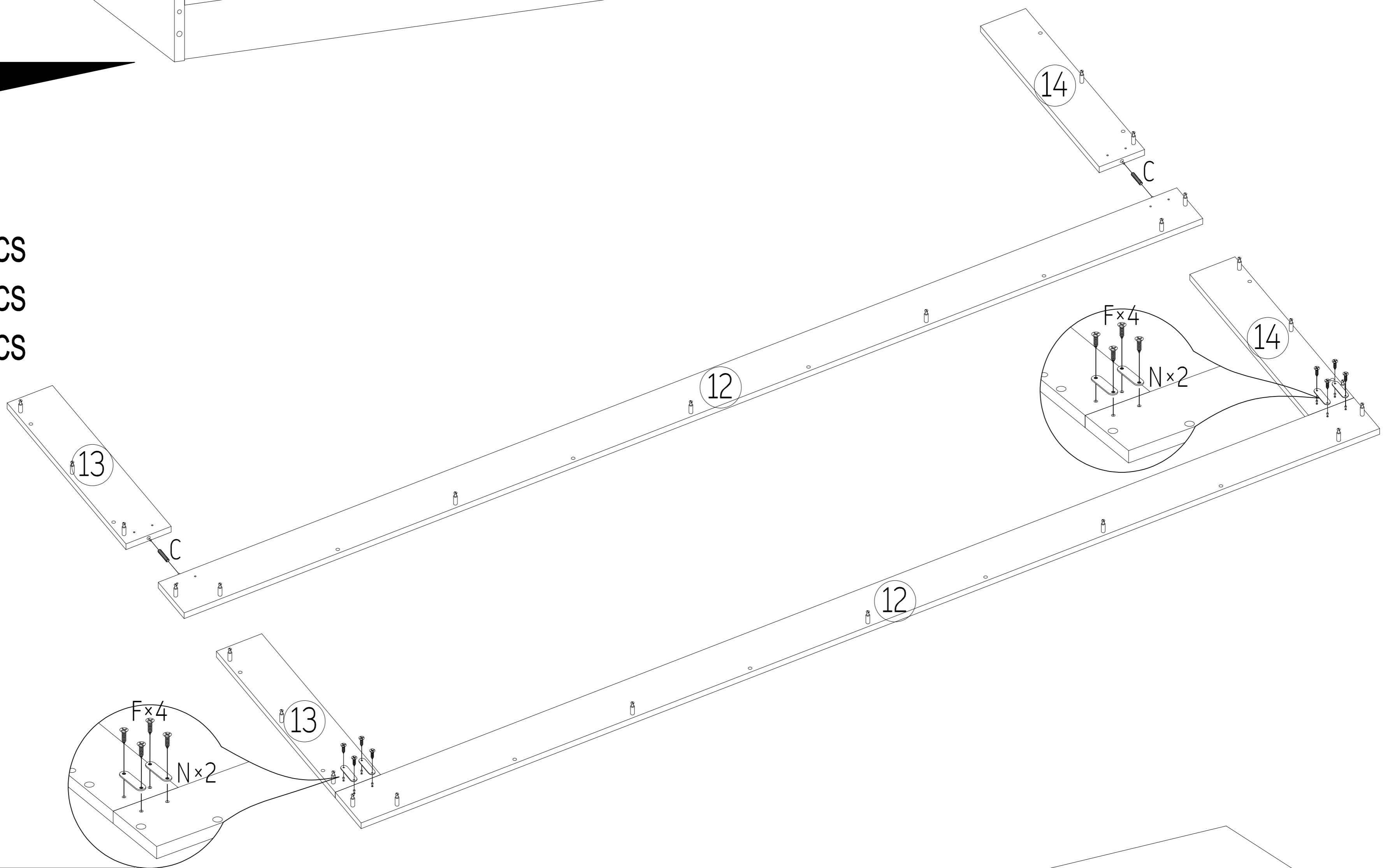
# 8

B x 8 PCS  
C x 8 PCS



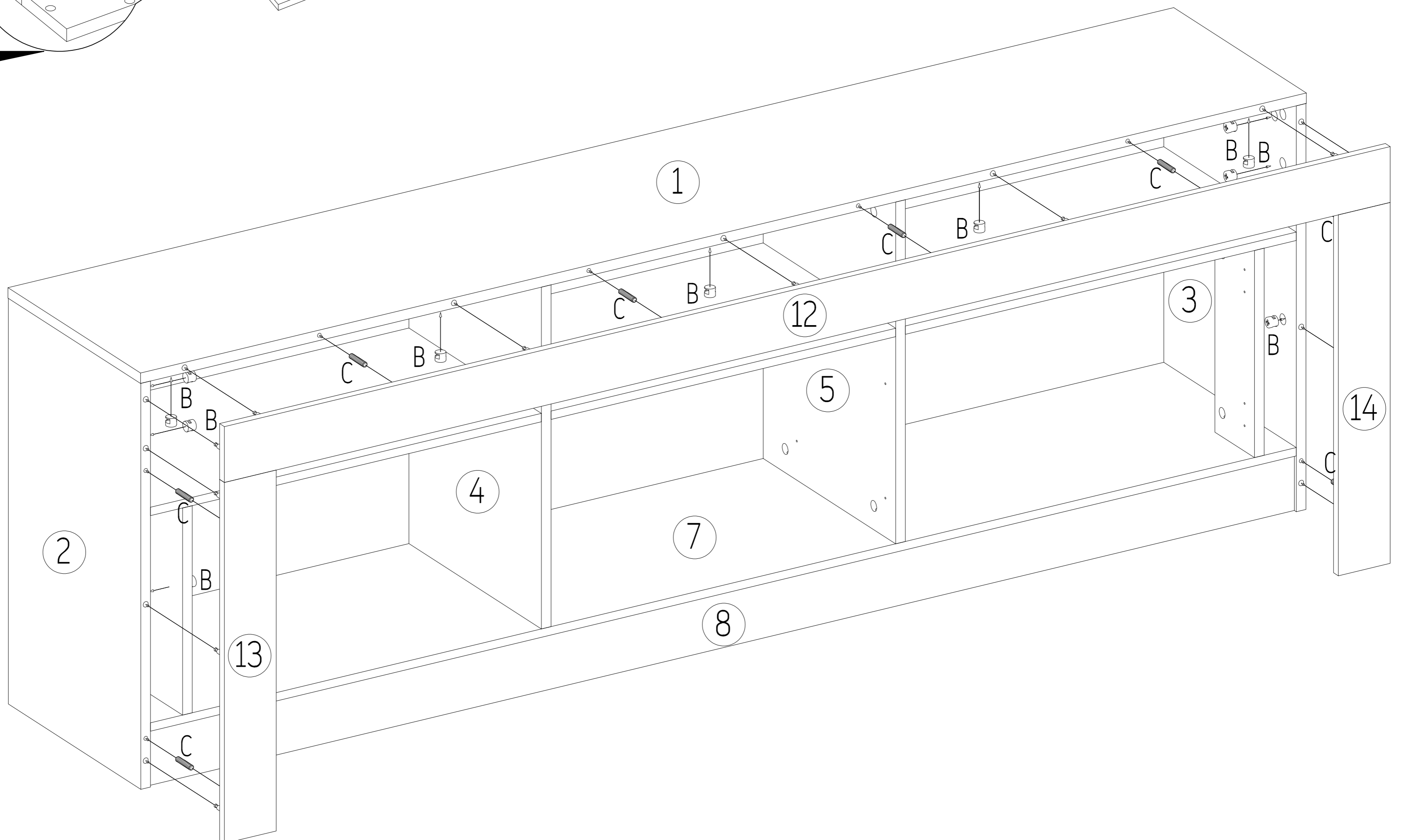
# 9

C x 2 PCS  
F x 8 PCS  
N x 4 PCS



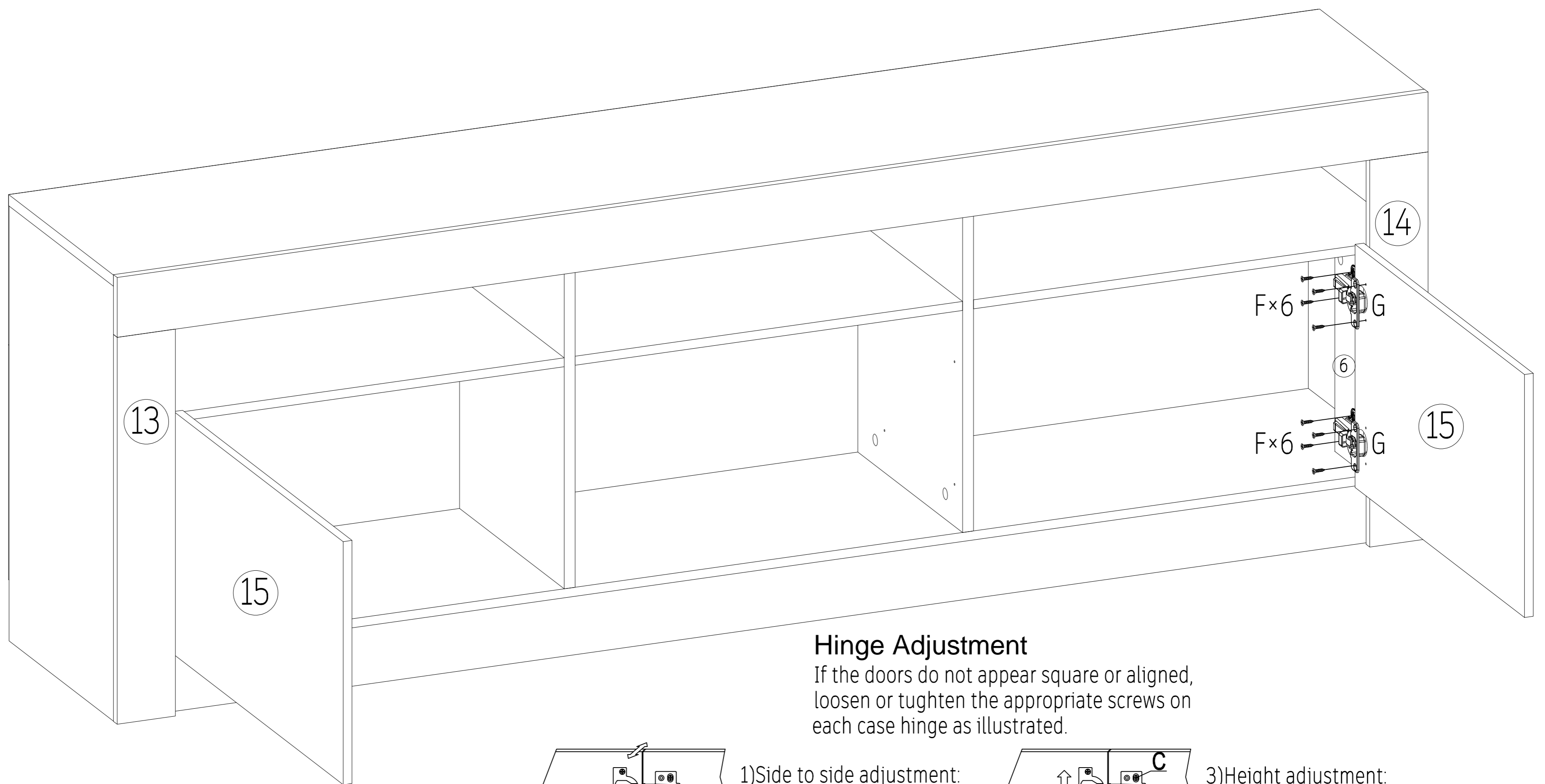
# 10

B x 13 PCS  
C x 8 PCS



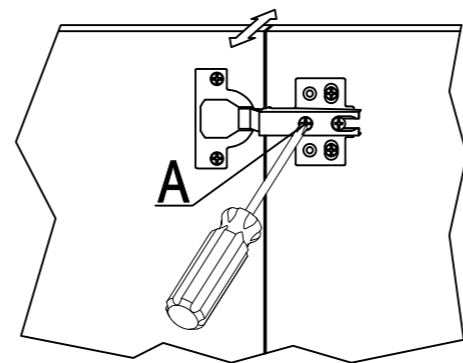
# 1 1

F × 24 PCS  
G × 4 PCS

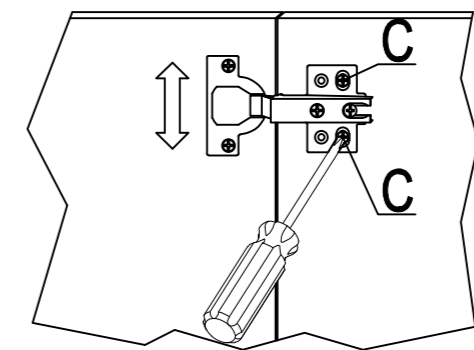


### Hinge Adjustment

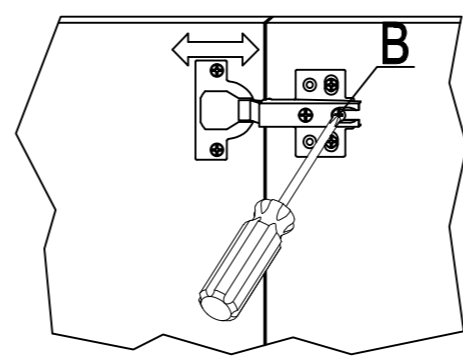
If the doors do not appear square or aligned, loosen or tighten the appropriate screws on each case hinge as illustrated.



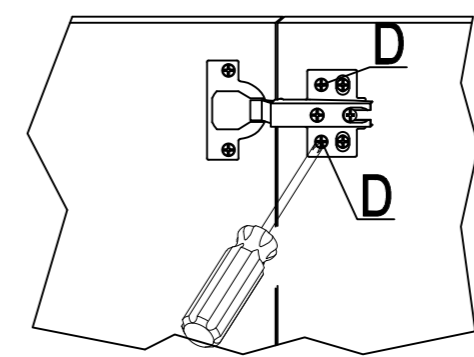
1) Side to side adjustment: Adjust the clearance between door and cabinet by turning screw A.



3) Height adjustment: Loosen screw C, adjust door height and lock screw C.



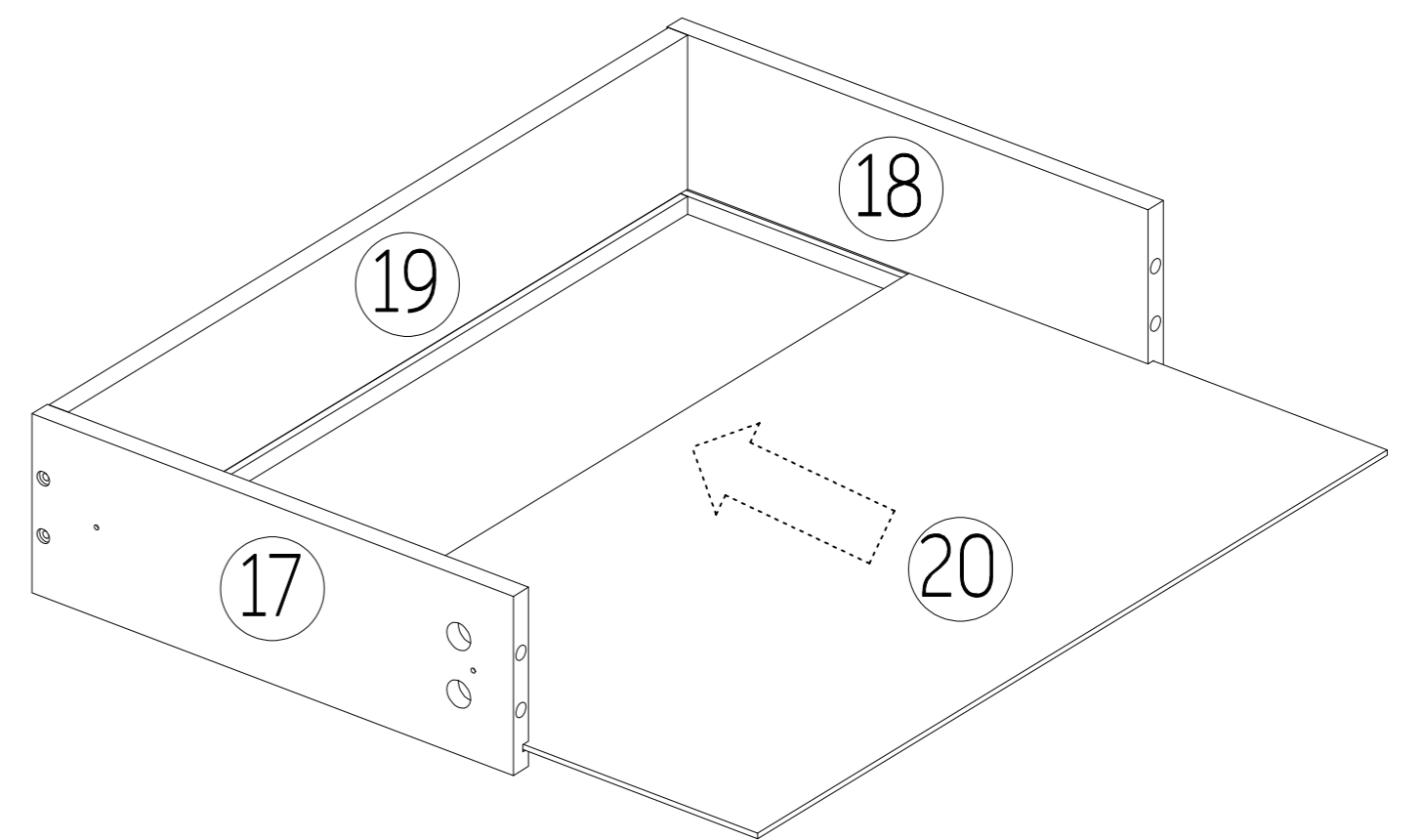
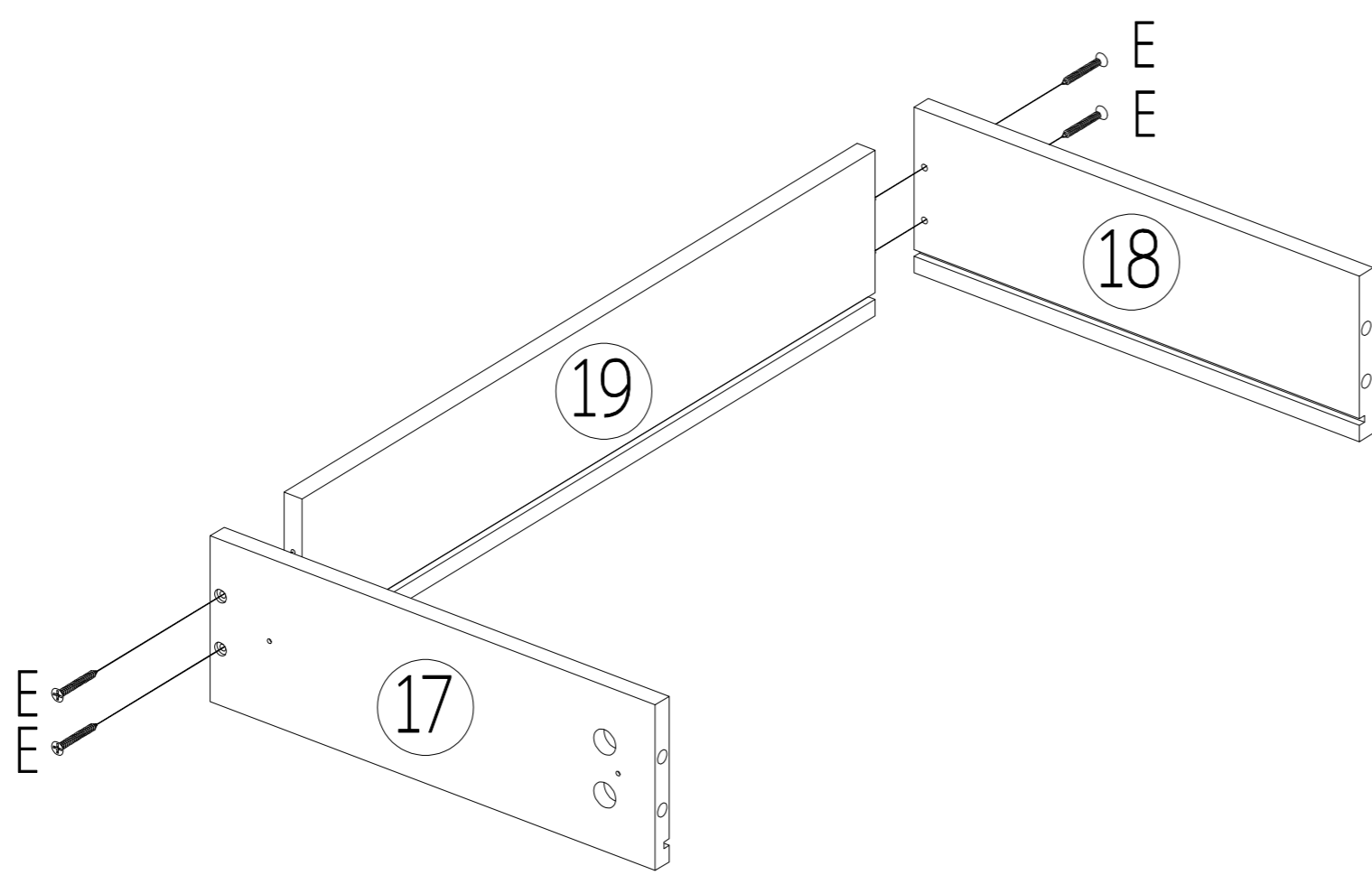
2) Depth adjustment: Loosen screw B, push hinge arm forwards or backwards, and then lock screw B.



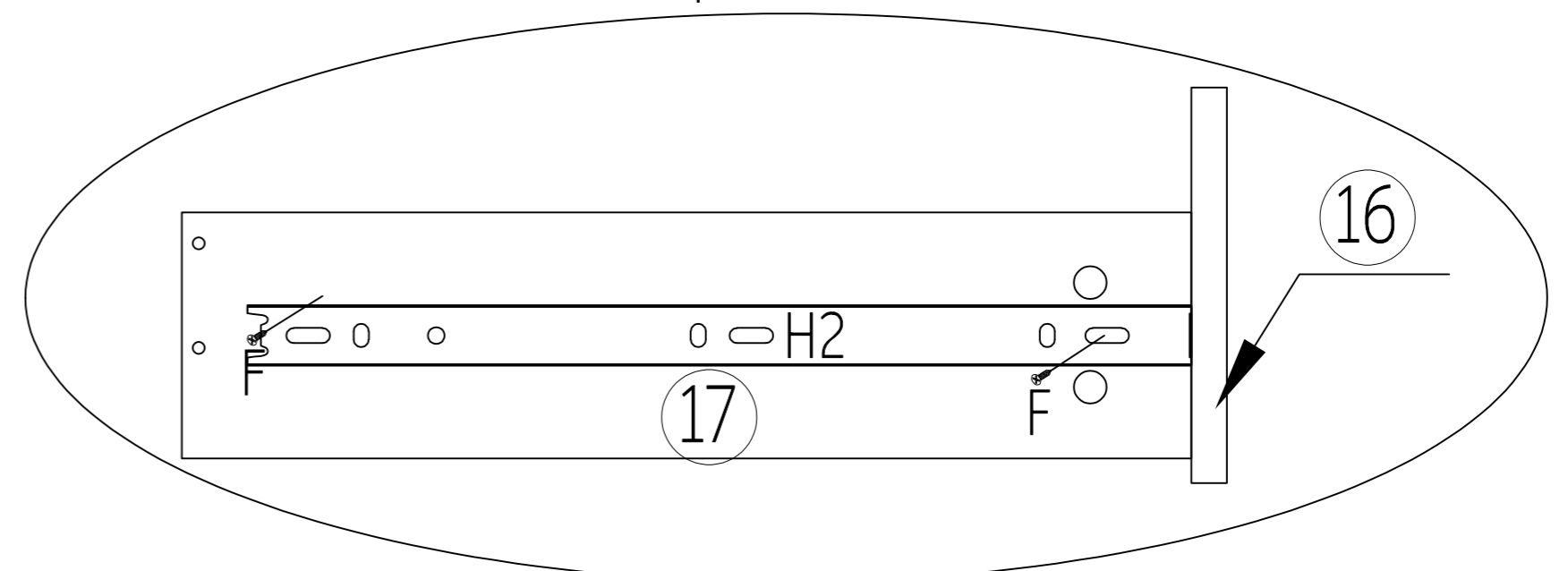
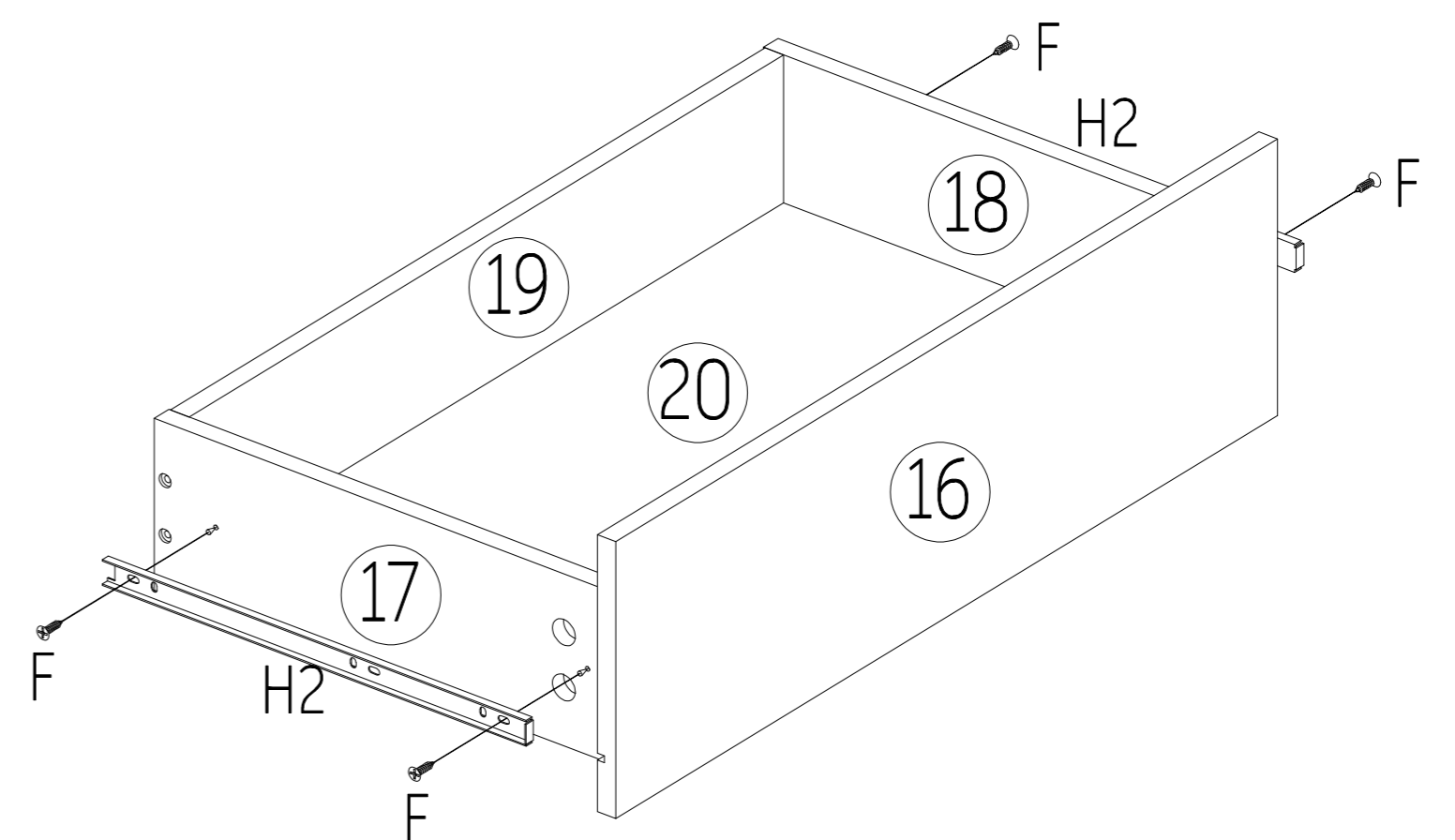
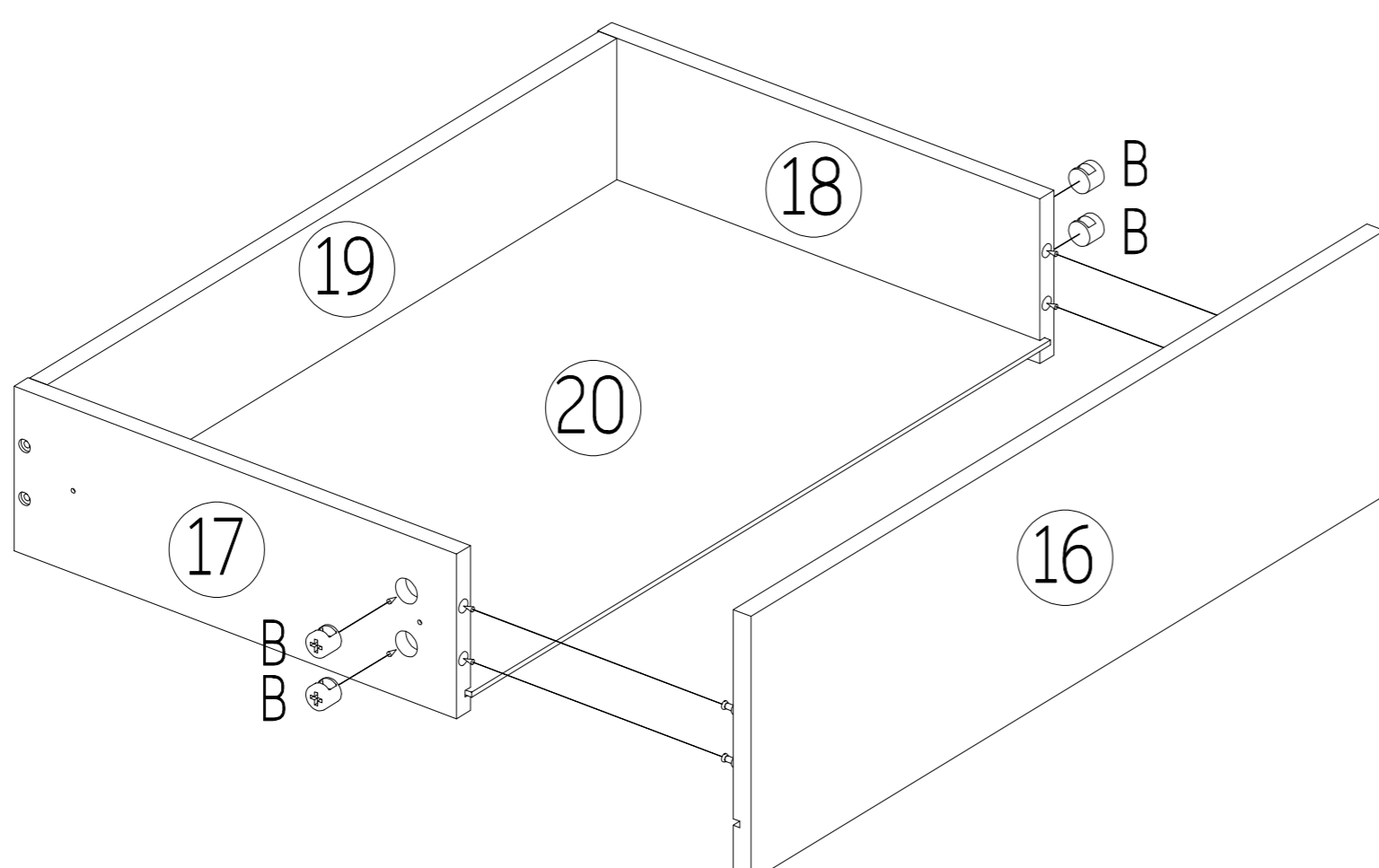
4) Fixed: After adjustment, lock screw D. Make the hinge can't move.

# 1 2

B × 8 PCS  
E × 8 PCS  
F × 8 PCS  
H2 × 4 PCS

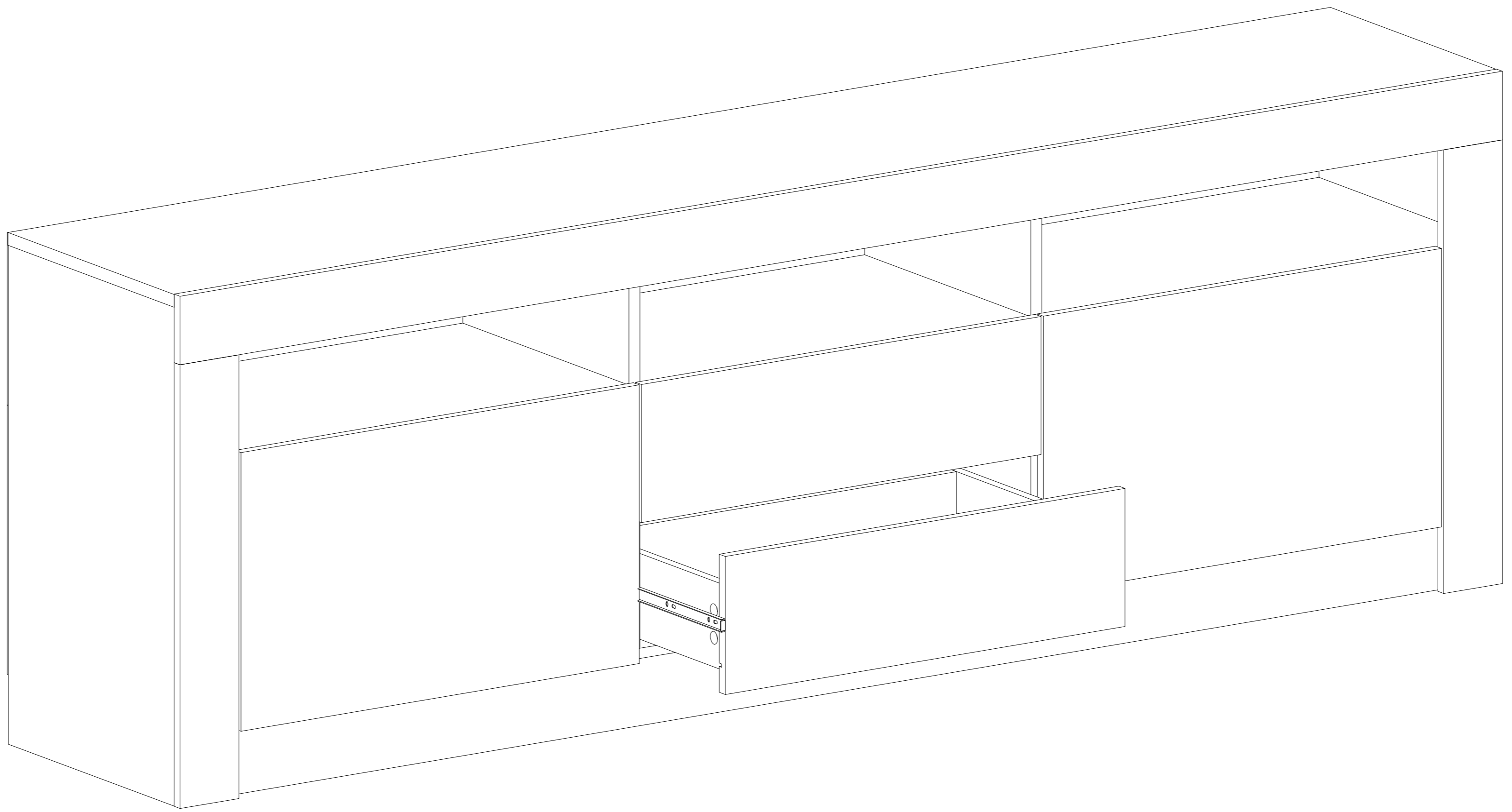
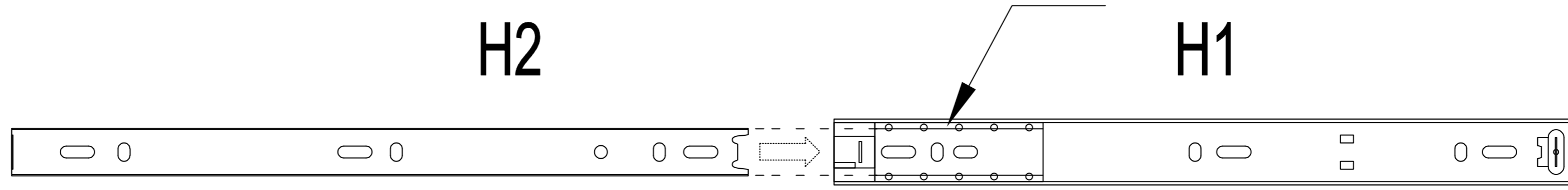


1 | 2  
---  
3 | 4



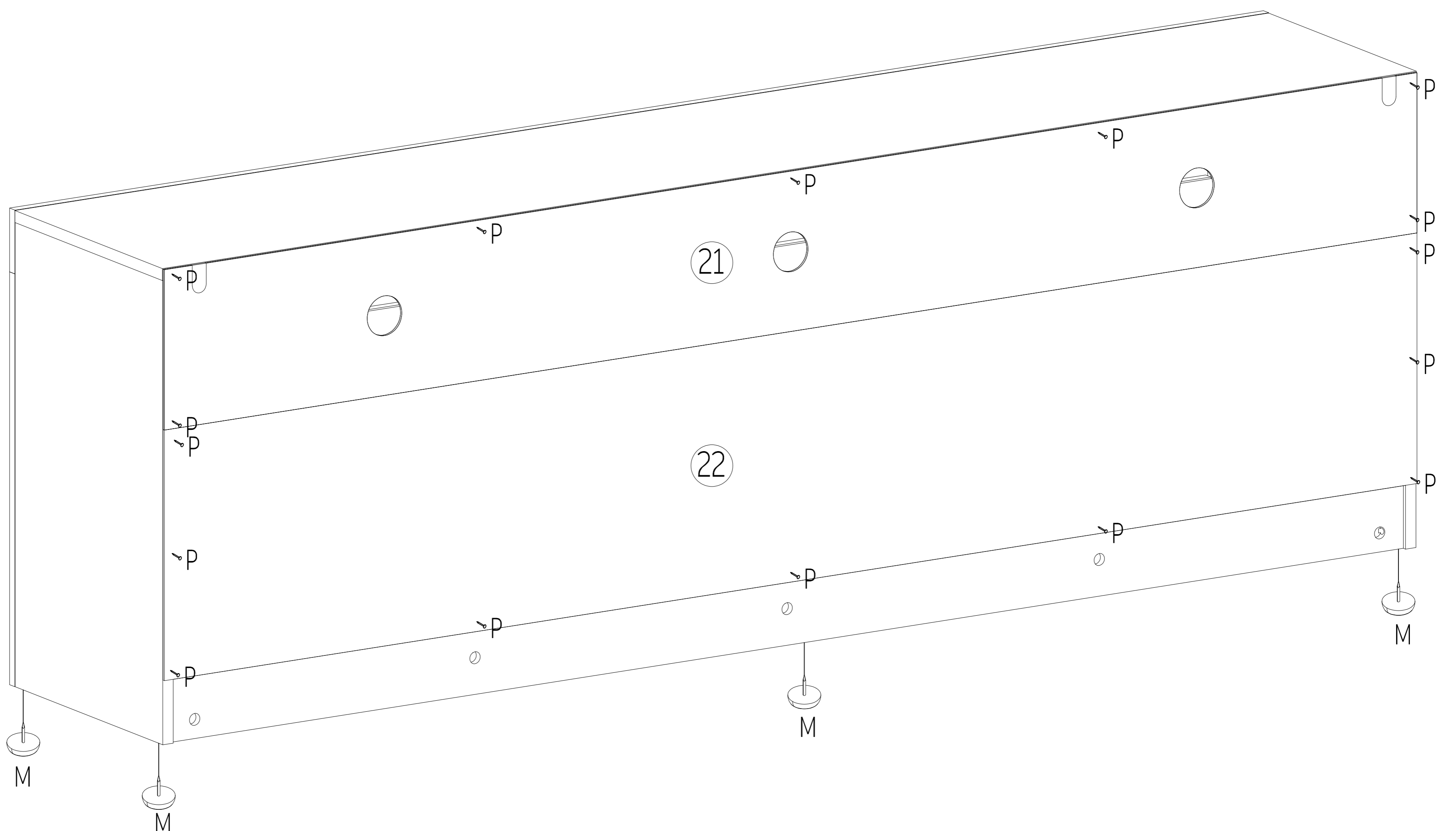
# 13

Before assembling the drawer, ensure that the pulley of the slide rail is located at the front end of the slide rail



# 14

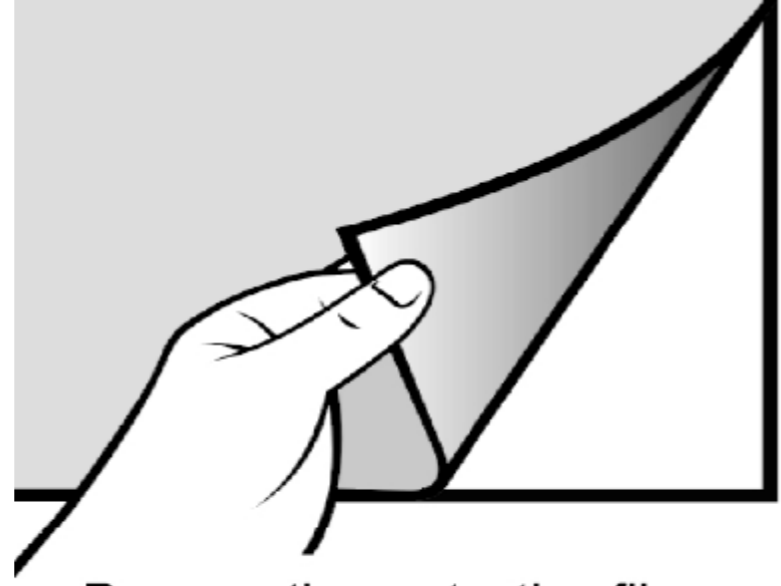
M x 6 PCS  
P x 16 PCS



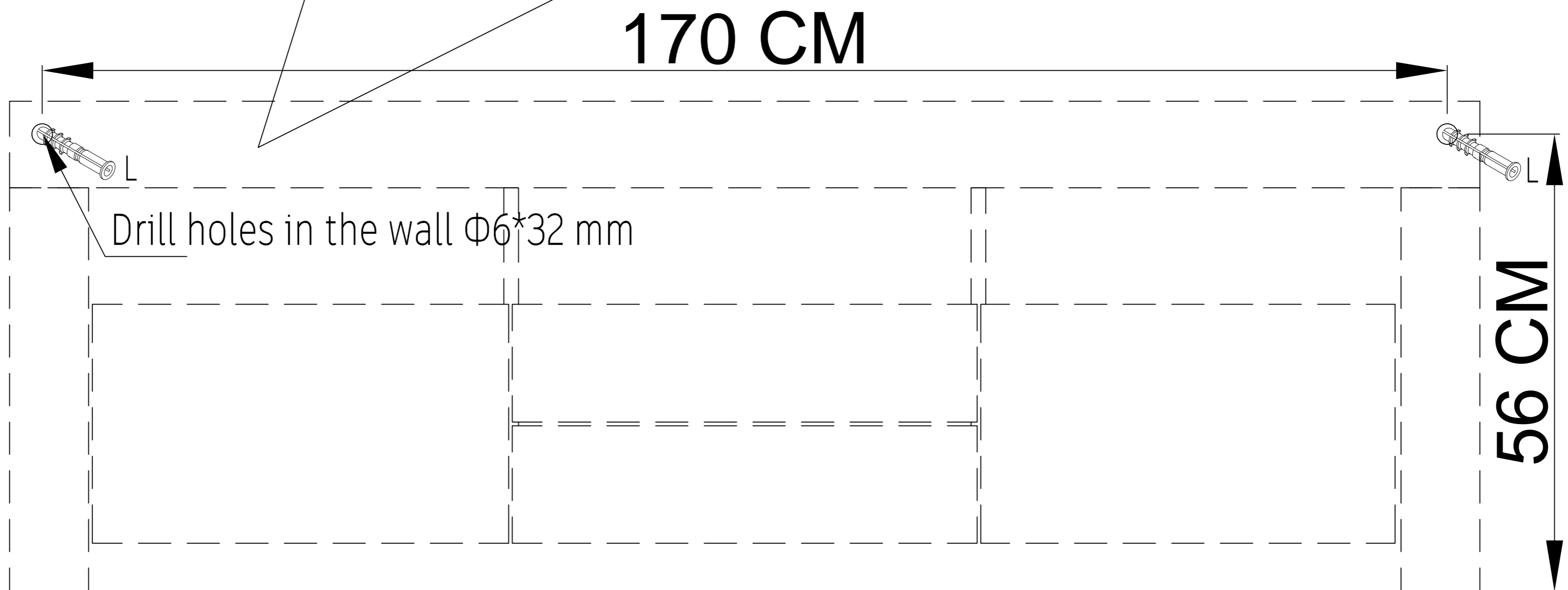
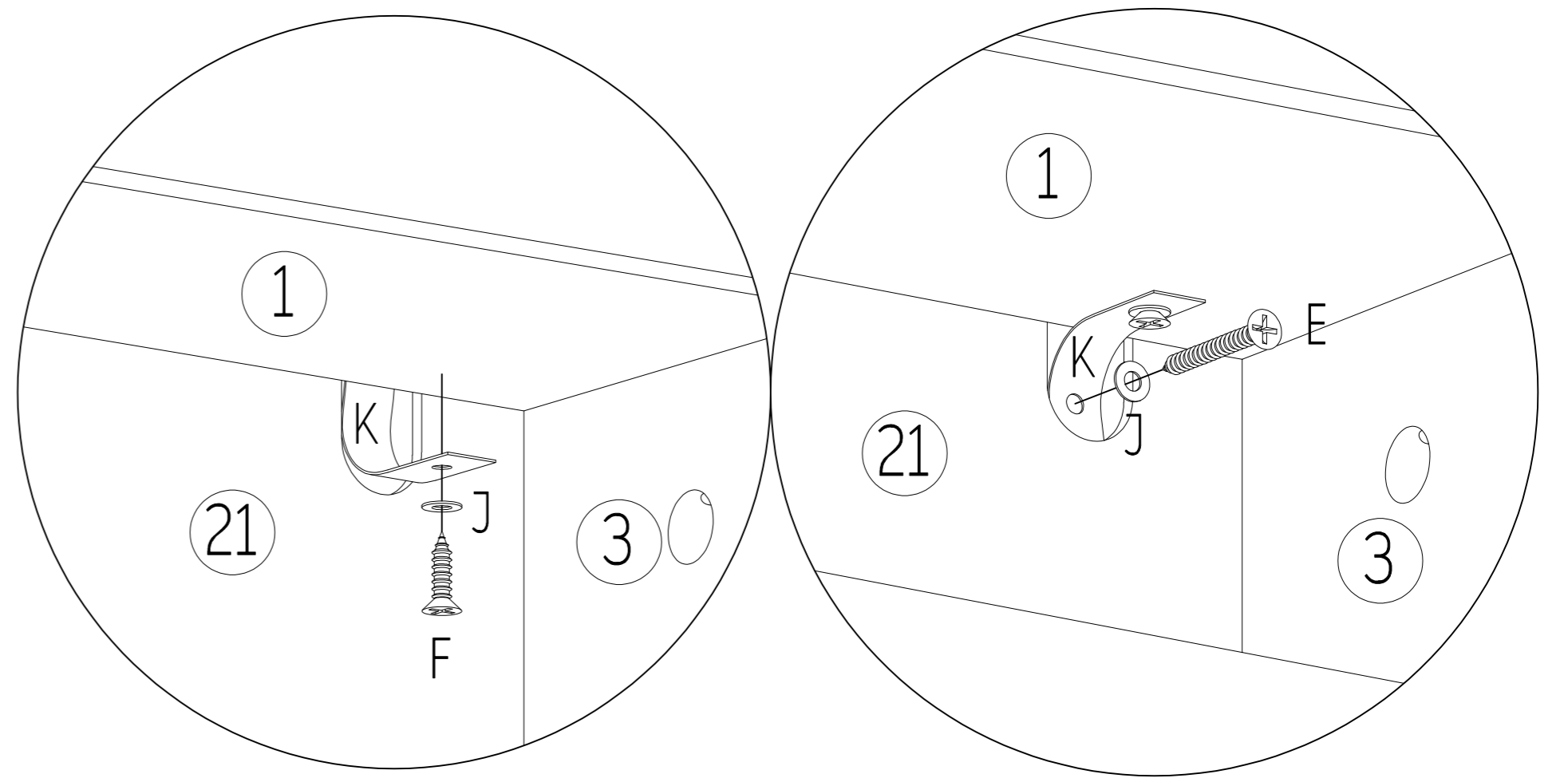


# 15

- E × 2 PCS
- F × 2 PCS
- J × 4 PCS
- K × 2 PCS
- L × 2 PCS



Remove the protective film from the high gloss panels.

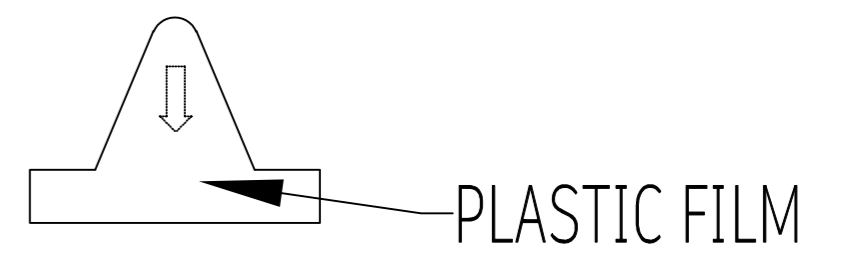
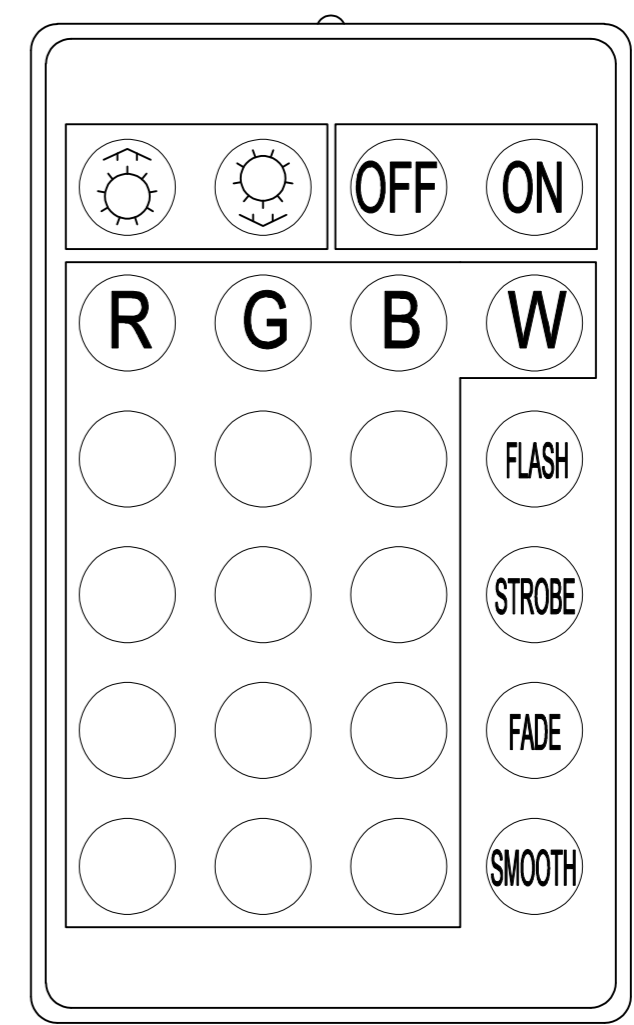


# 16

## LED LIGHTS TROUBLESHOOTING

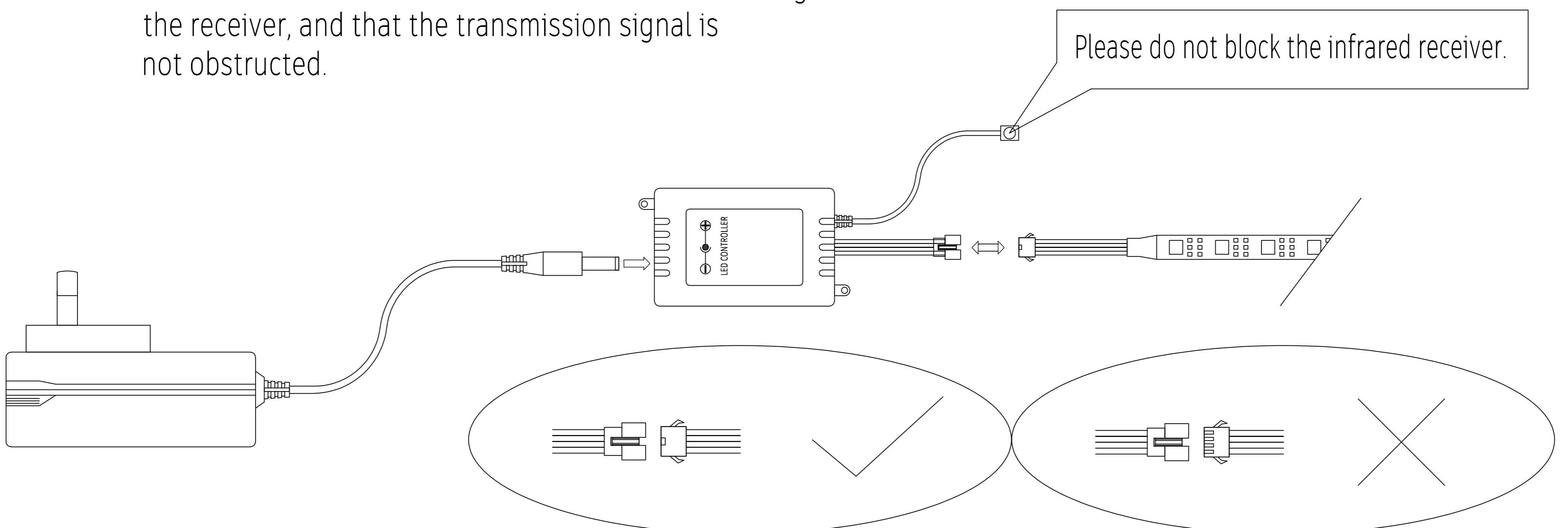
If the LED lights are not working successfully, please check the following:

1. Check the facing of the connectors and ensure that they are as shown in the illustration.
2. Check the remote controller. Remove the plastic film before use.
3. Make sure that the remote controller is within the range of the receiver, and that the transmission signal is not obstructed.



Remove the plastic film from the remote controller.

Please do not block the infrared receiver.



Check the facing of the connectors and ensure that they are aligned correctly.

**WARNING**

Children have been killed by furniture tip-overs. To reduce the risk of such hazards, please observe the following:

- Always install an anti-tipping device and restraint provided.
- Never place a TV on top of this product.
- Never allow children to stand, climb or hang on drawers, doors or shelves.
- Never open more than one drawer at a time.
- Place the heaviest items on the lowest shelves or drawers.

