



TV STAND

SKU: EU-BD-D3-180-WH/BK

Size: 1800×340×420 mm



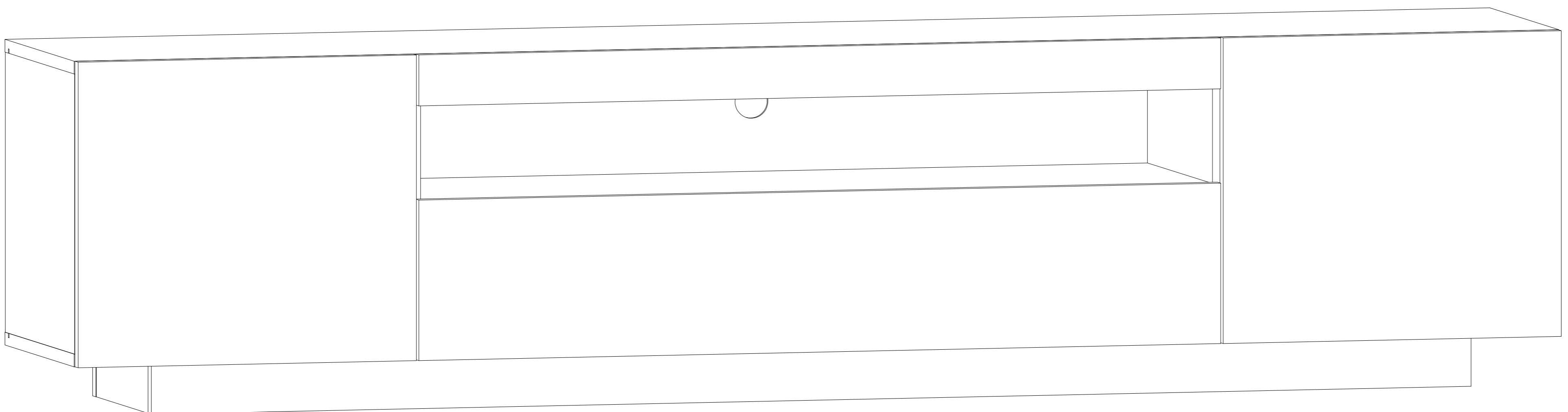
WARNING

THIS PRODUCT CONTAINS A BUTTON BATTERY

If swallowed, a lithium button battery can cause severe or fatal injuries within 2 hours.

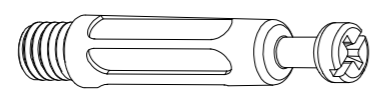
Keep batteries out of reach of children.

If you think batteries may have been swallowed or placed inside any part of the body, seek immediate medical attention.

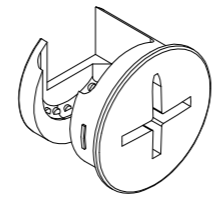


Hardware

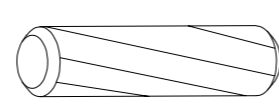
A × 41 PCS
Φ6×40mm



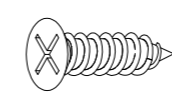
B × 41 PCS
Φ15×11mm



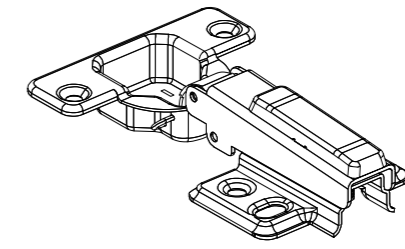
C × 20 PCS
Φ8×40mm



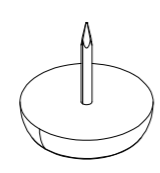
D × 36 PCS
ST3.5*14



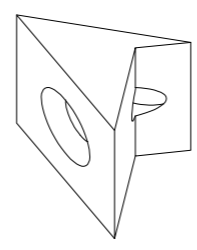
G × 7 PCS



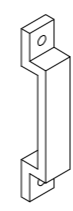
M × 6 PCS



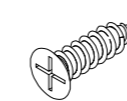
R × 8 PCS



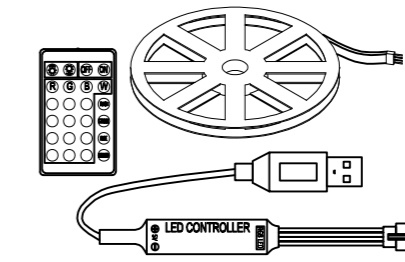
S × 3 PCS



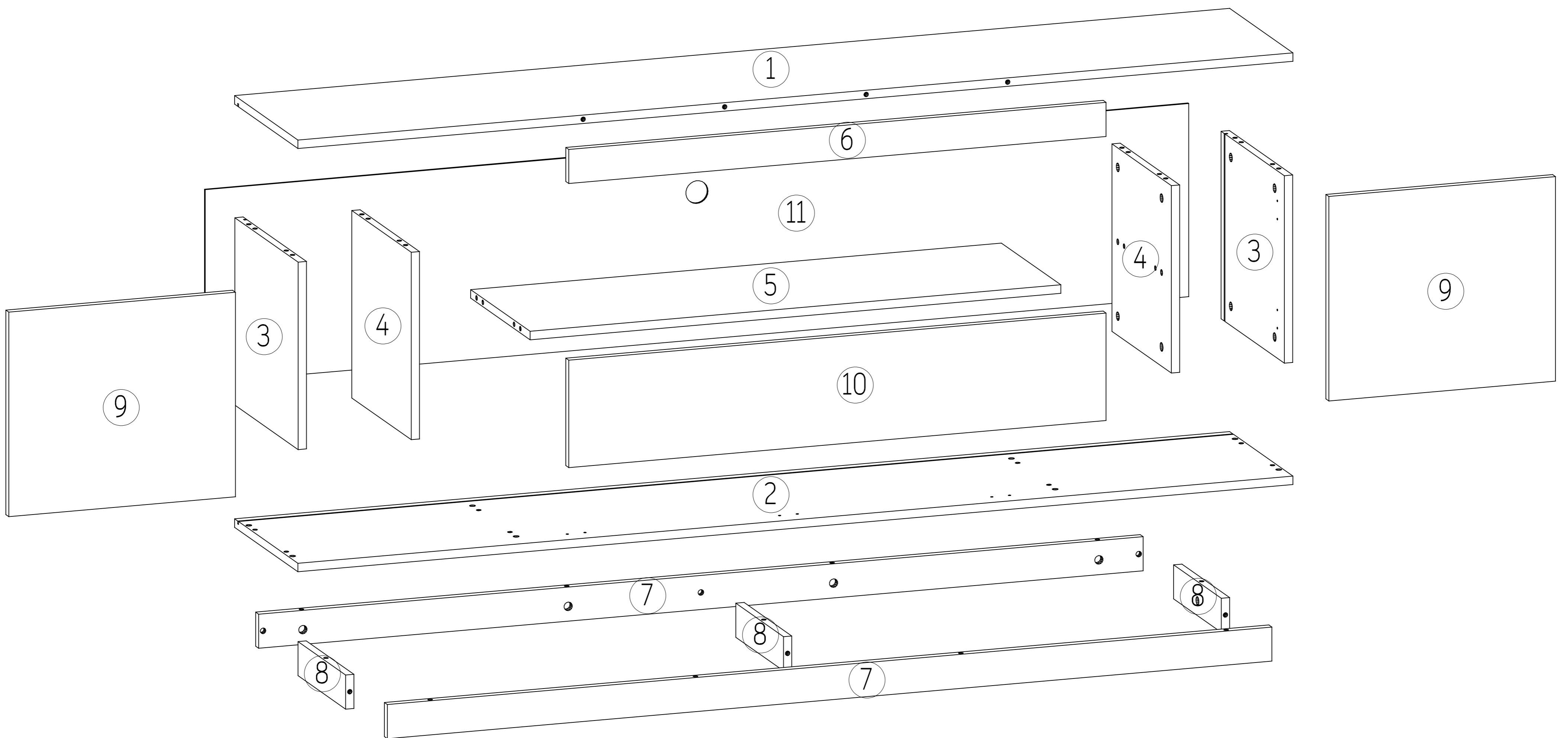
T × 6 PCS
ST3*12



U × 1 PCS
Led tape
Controller

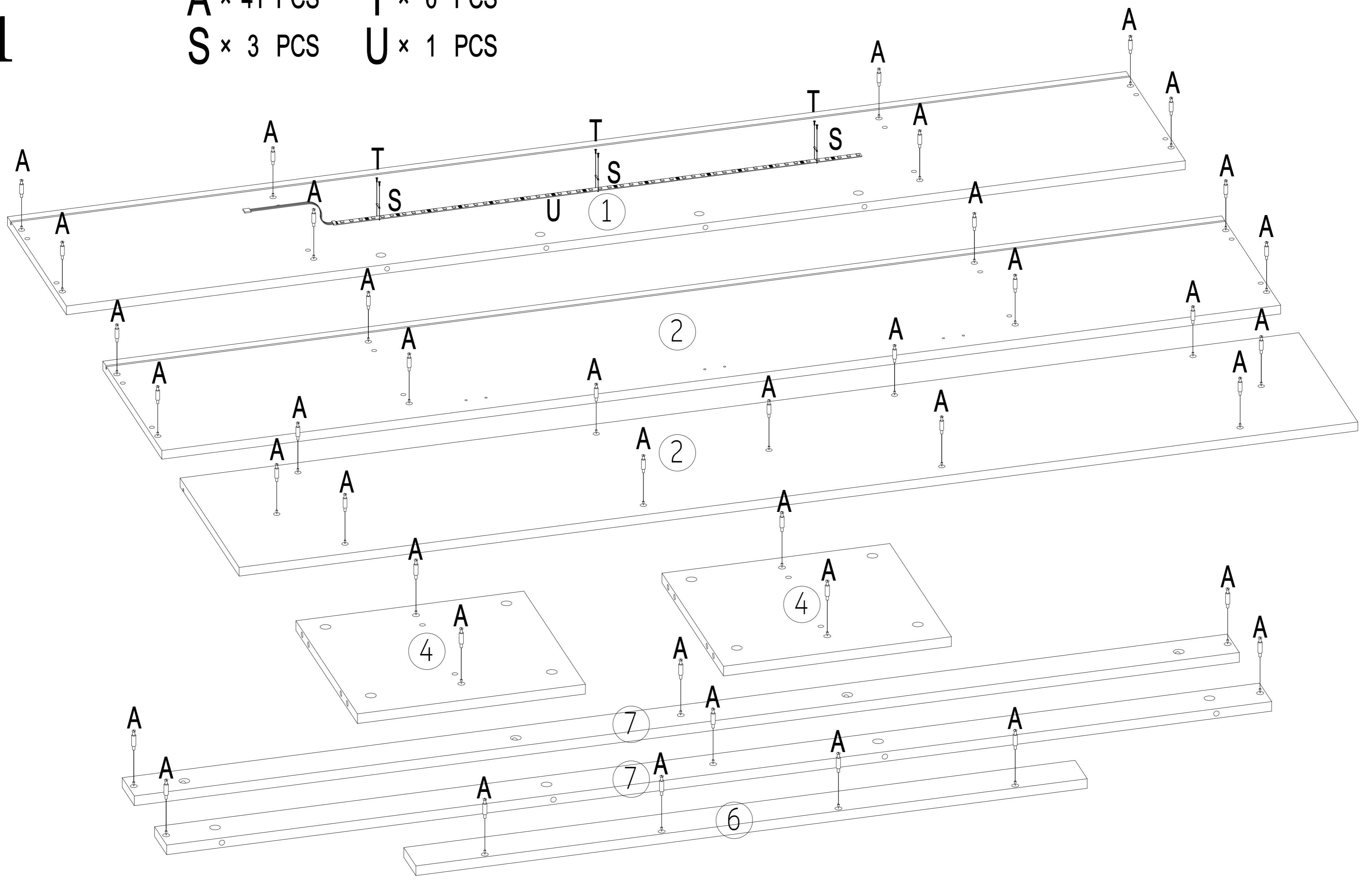


Exploded view



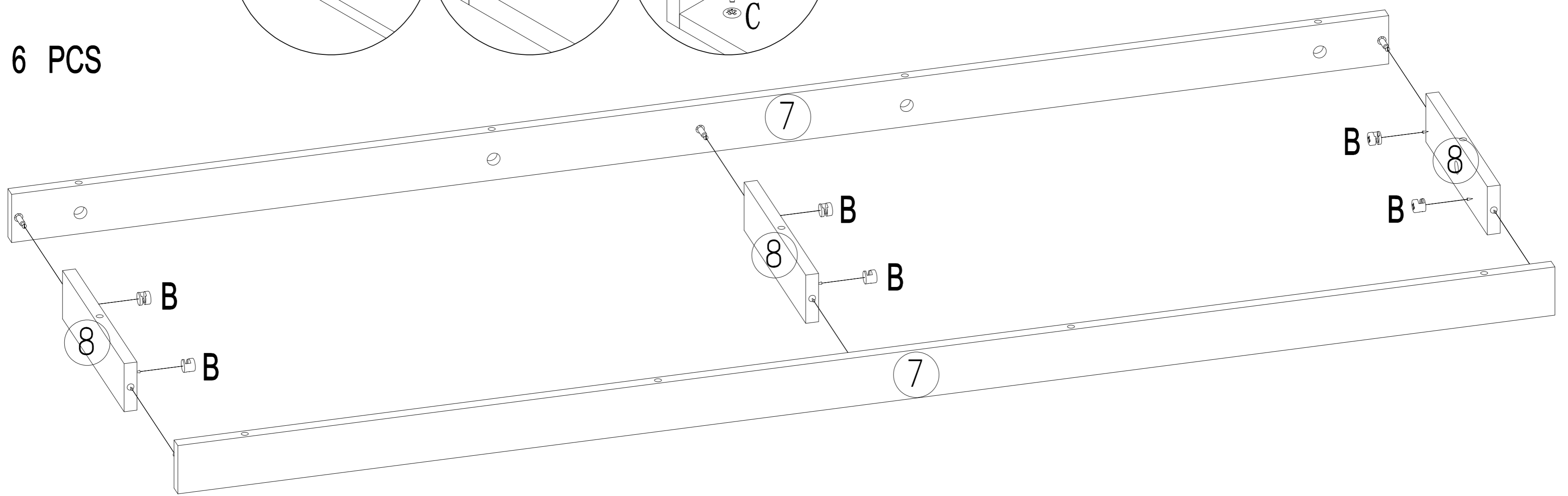
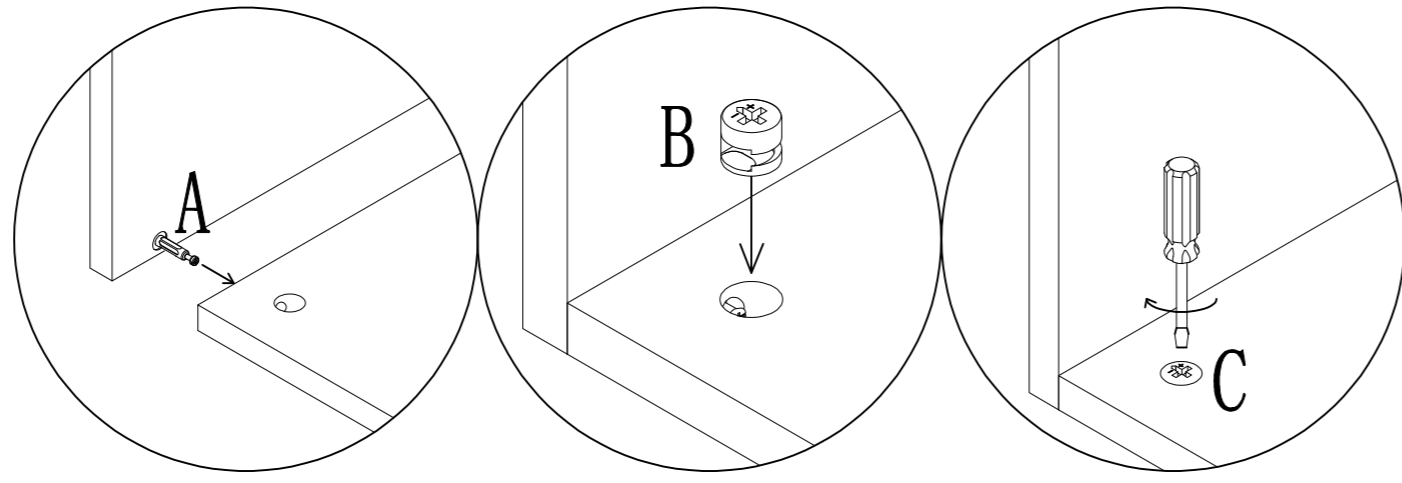
1

A x 41 PCS T x 6 PCS
S x 3 PCS U x 1 PCS



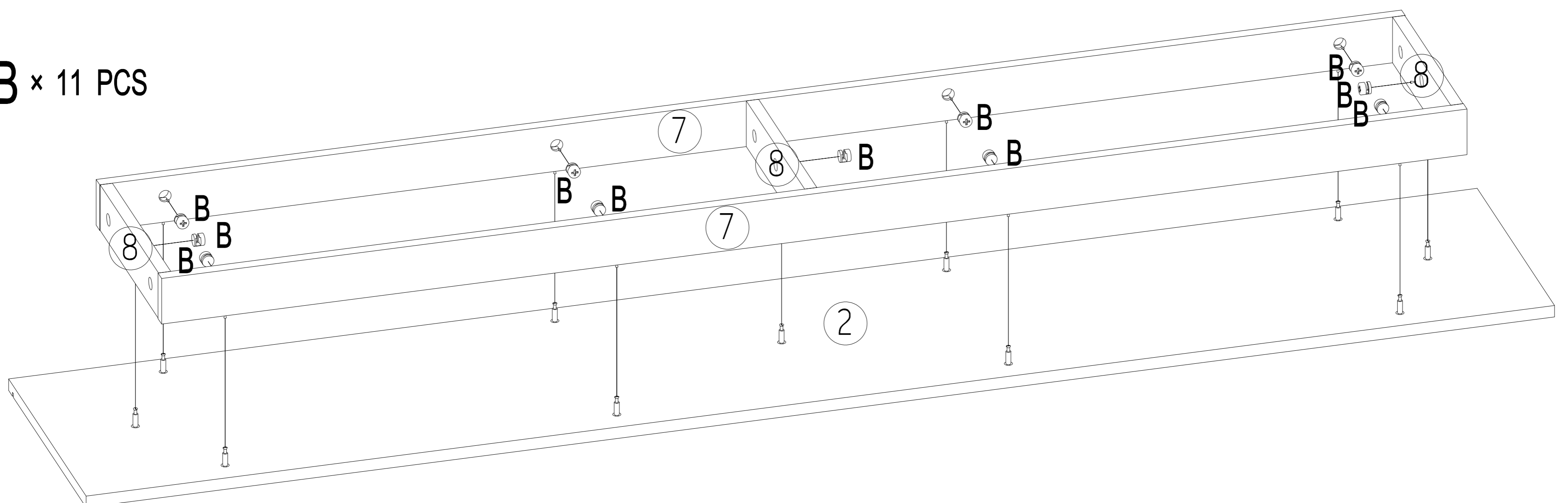
2

B x 6 PCS



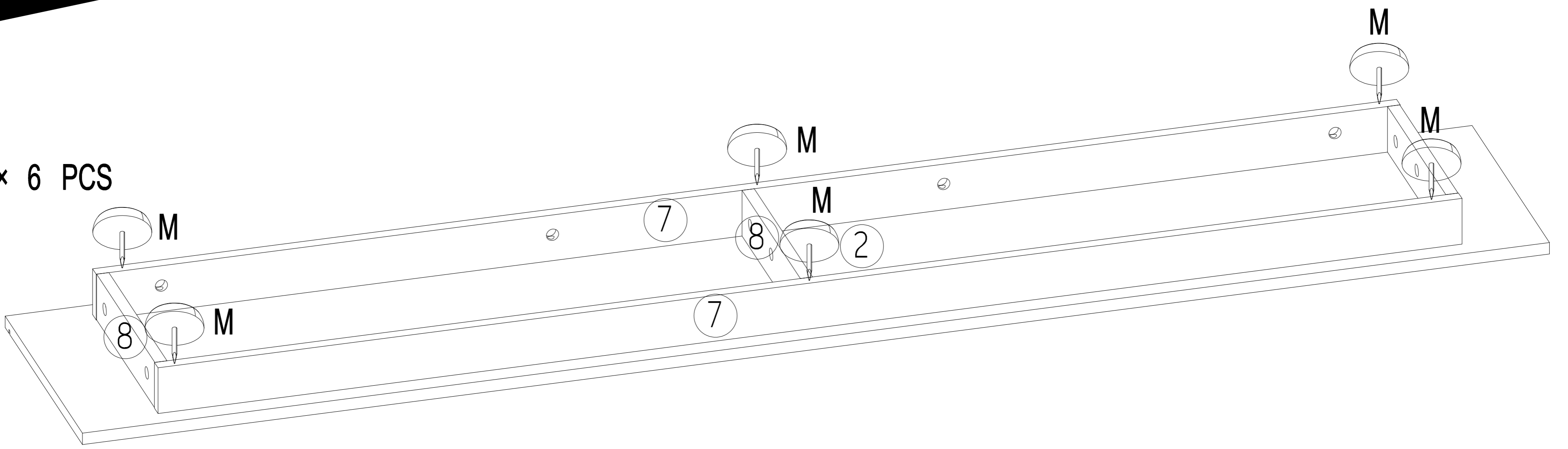
3

B x 11 PCS



4

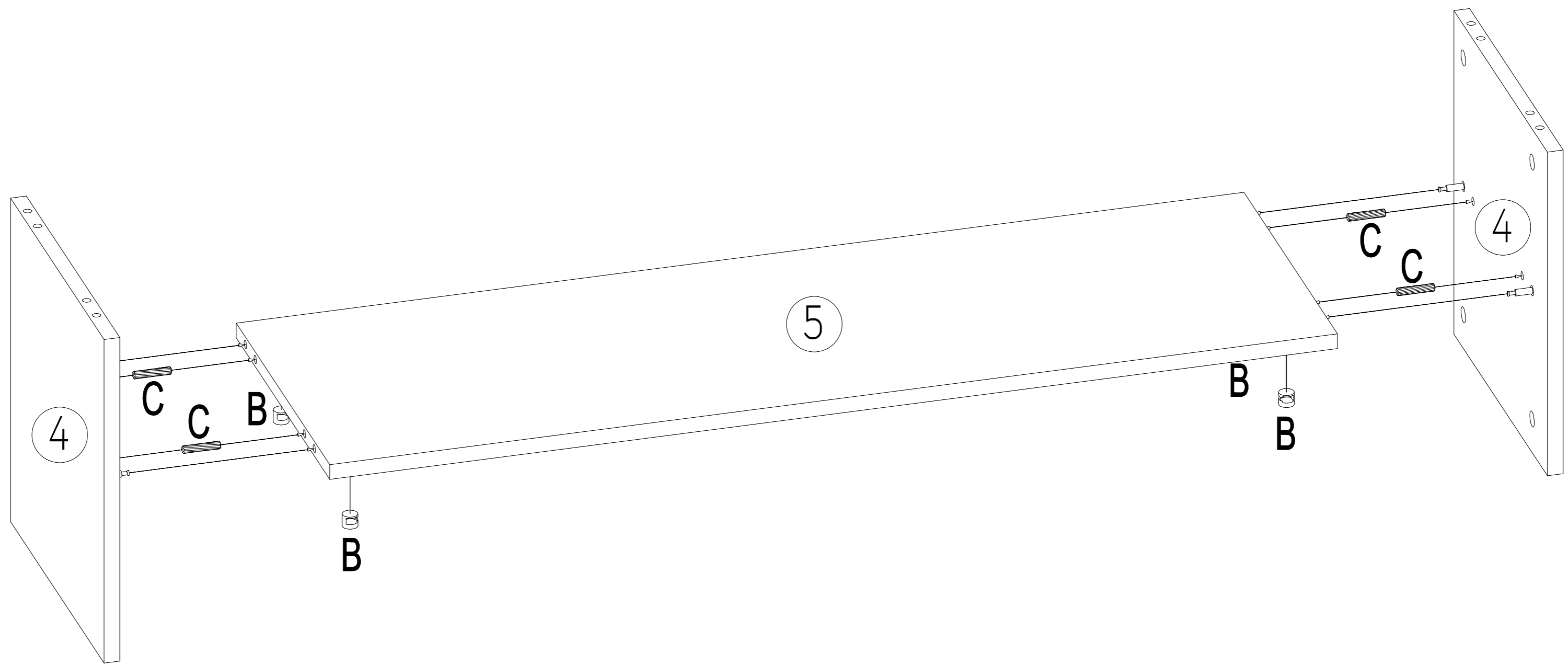
M x 6 PCS



5

B x 4 PCS

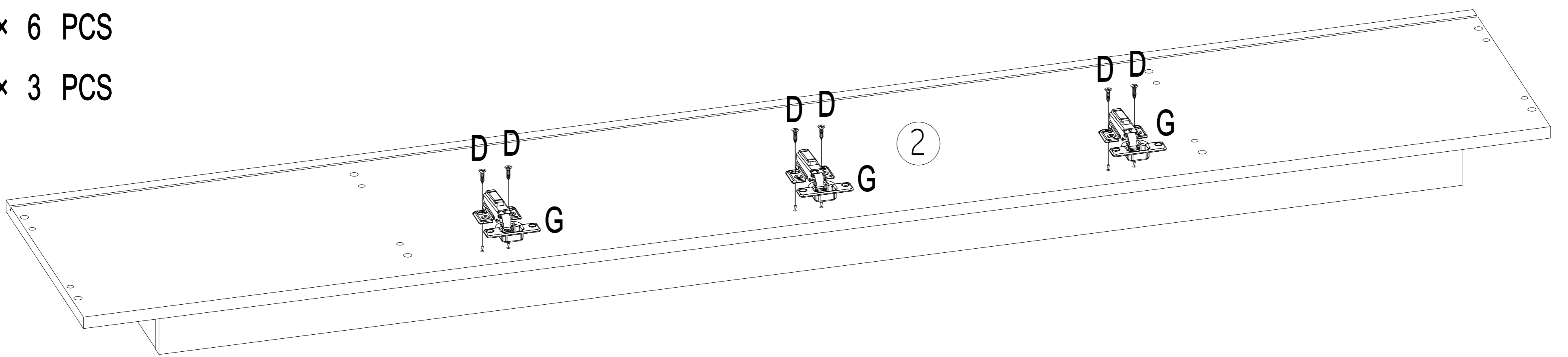
C x 4 PCS



6

D x 6 PCS

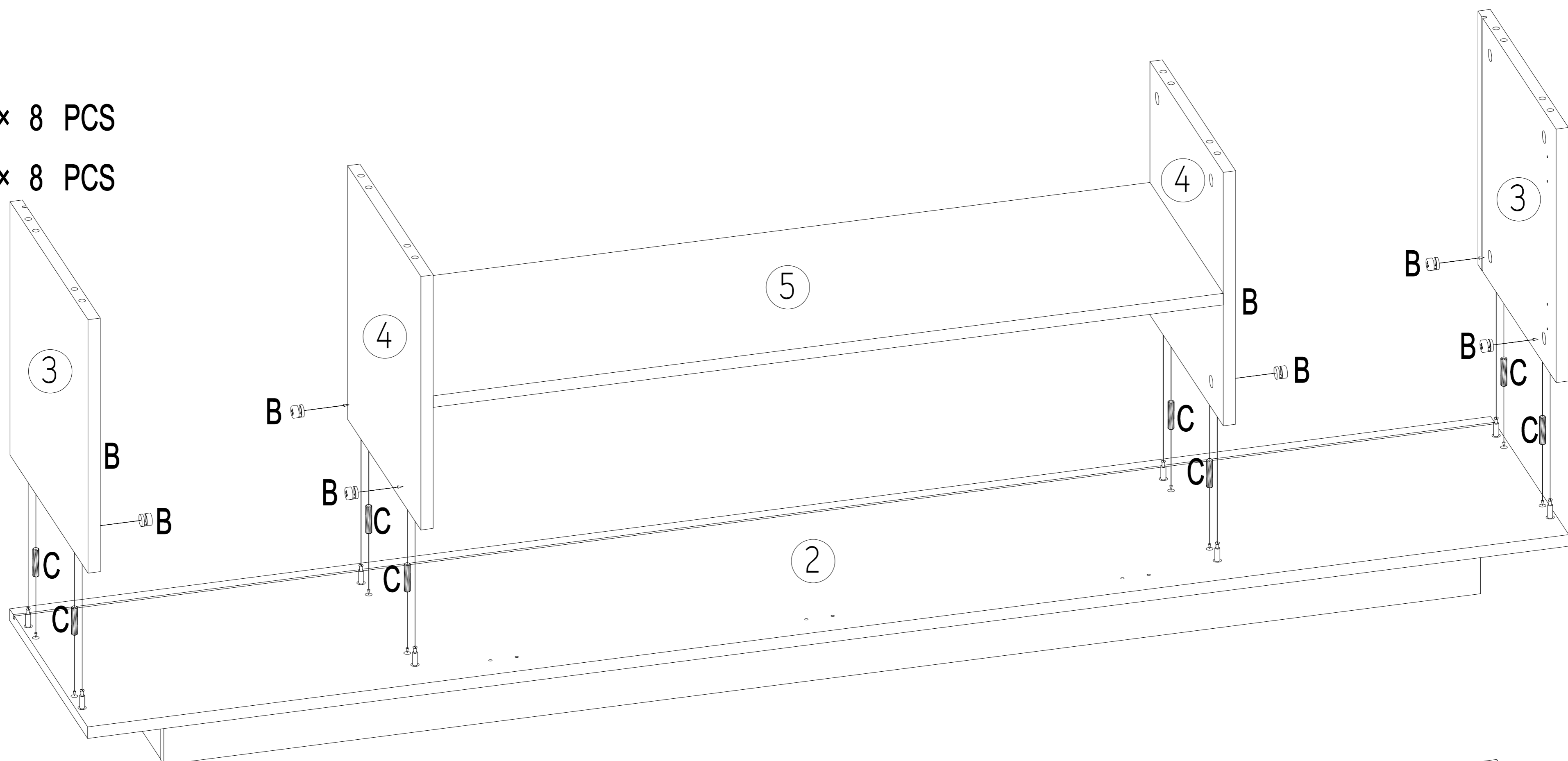
G x 3 PCS



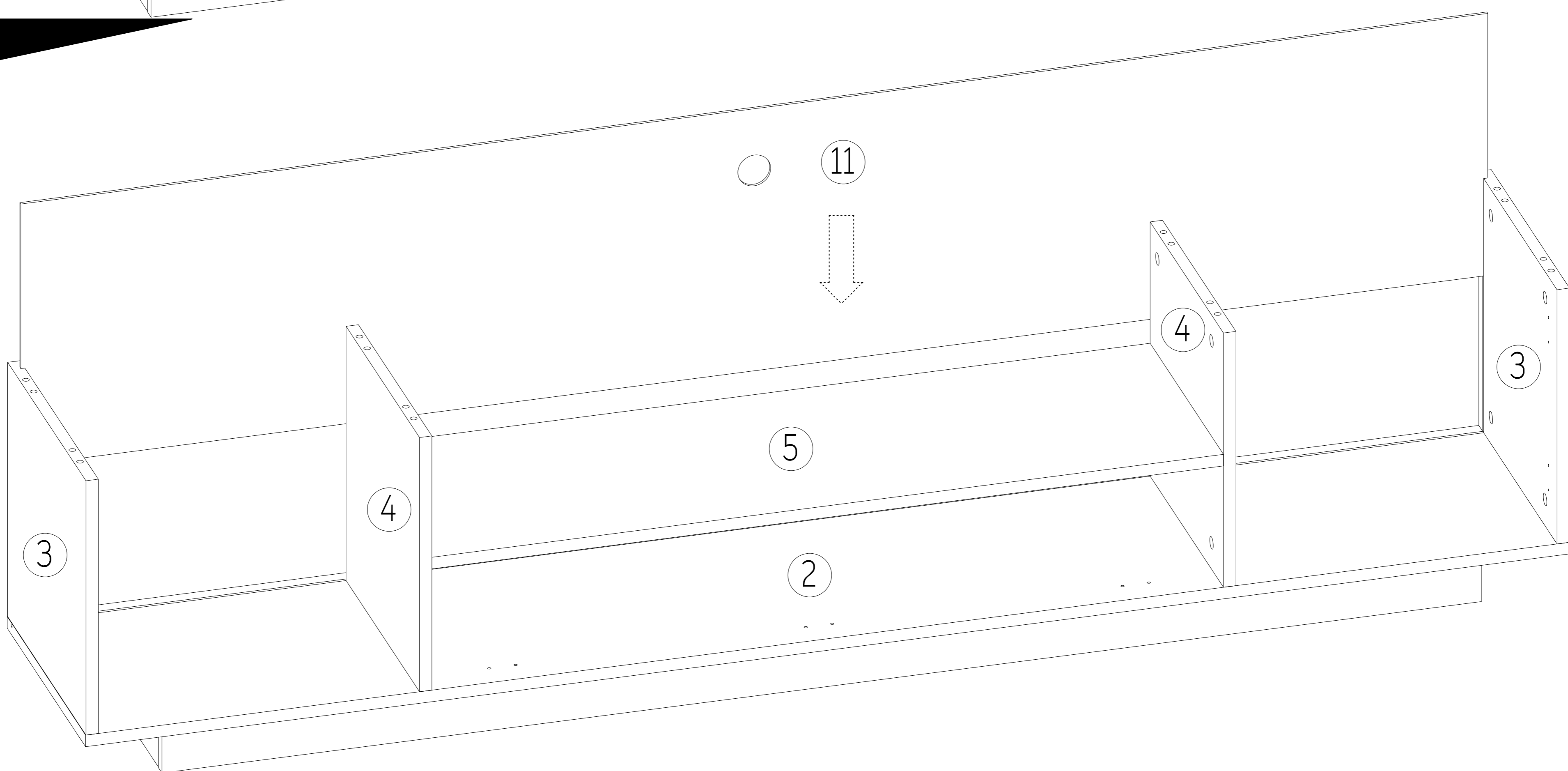
7

B x 8 PCS

C x 8 PCS

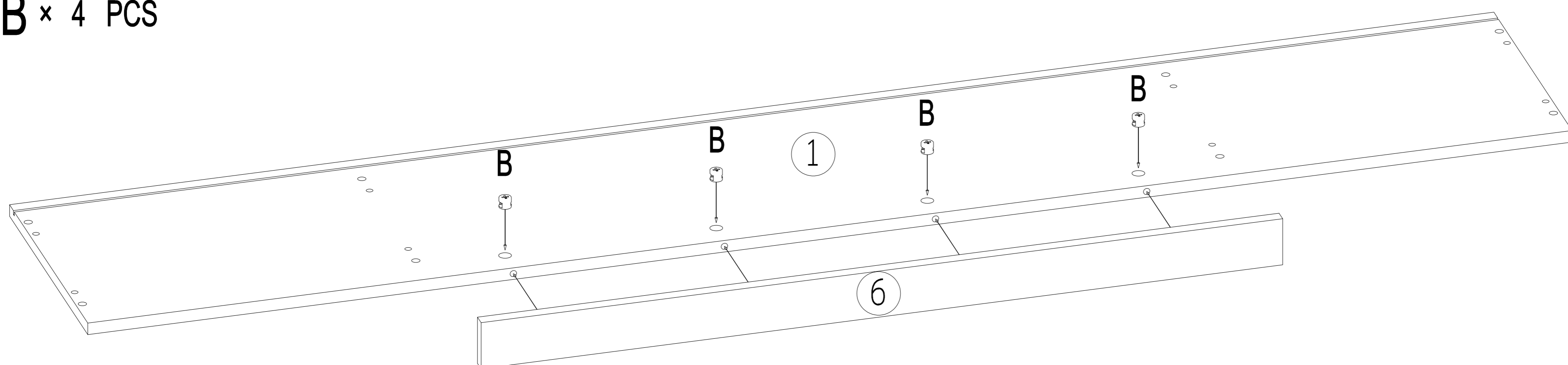


8



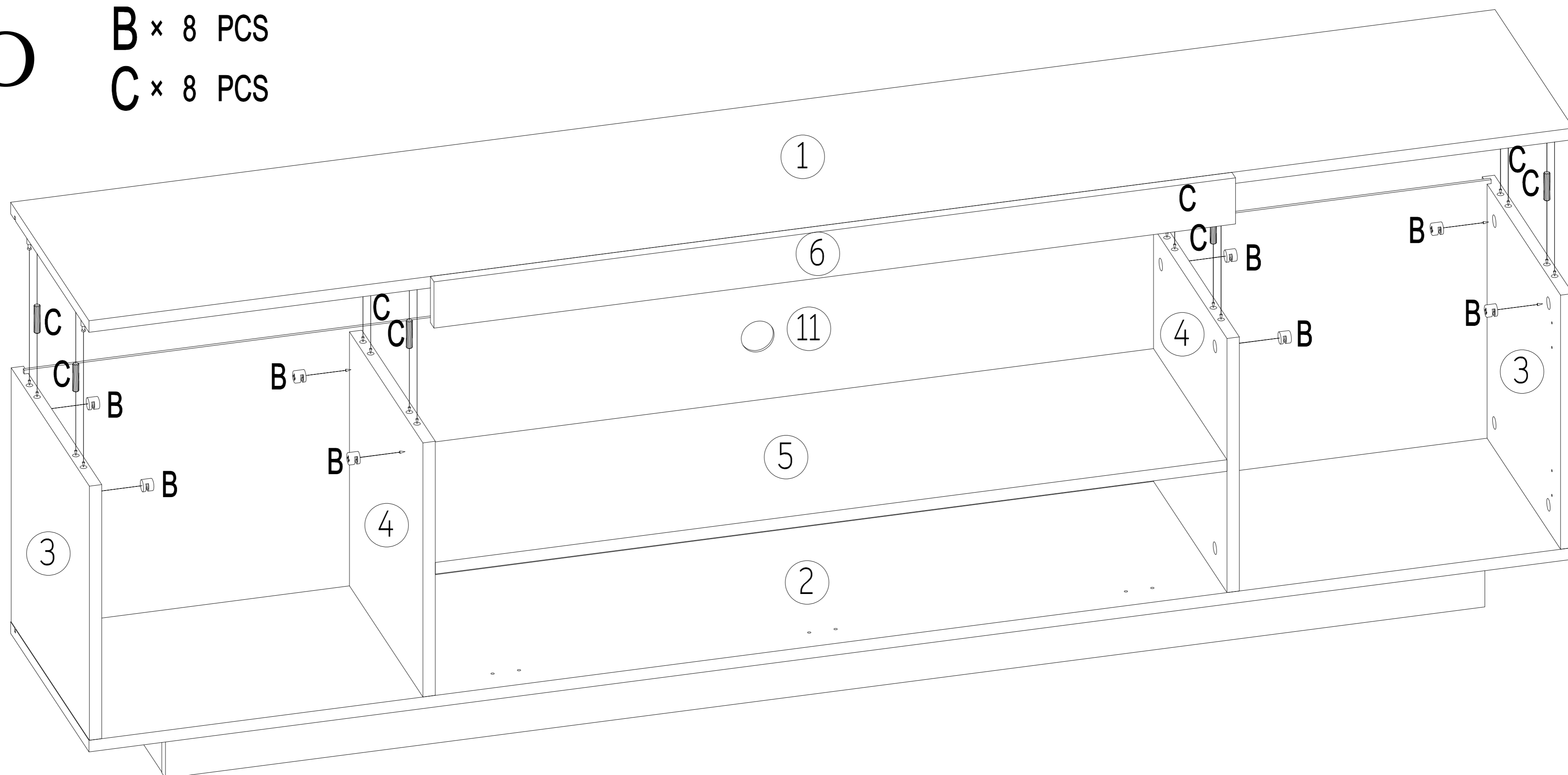
9

B x 4 PCS



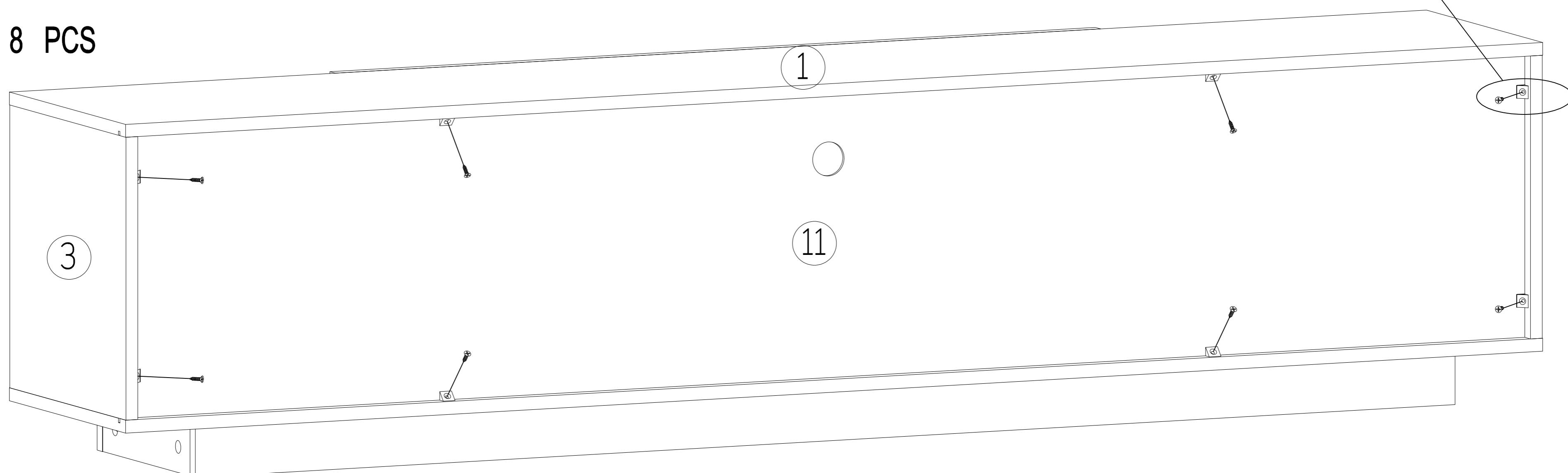
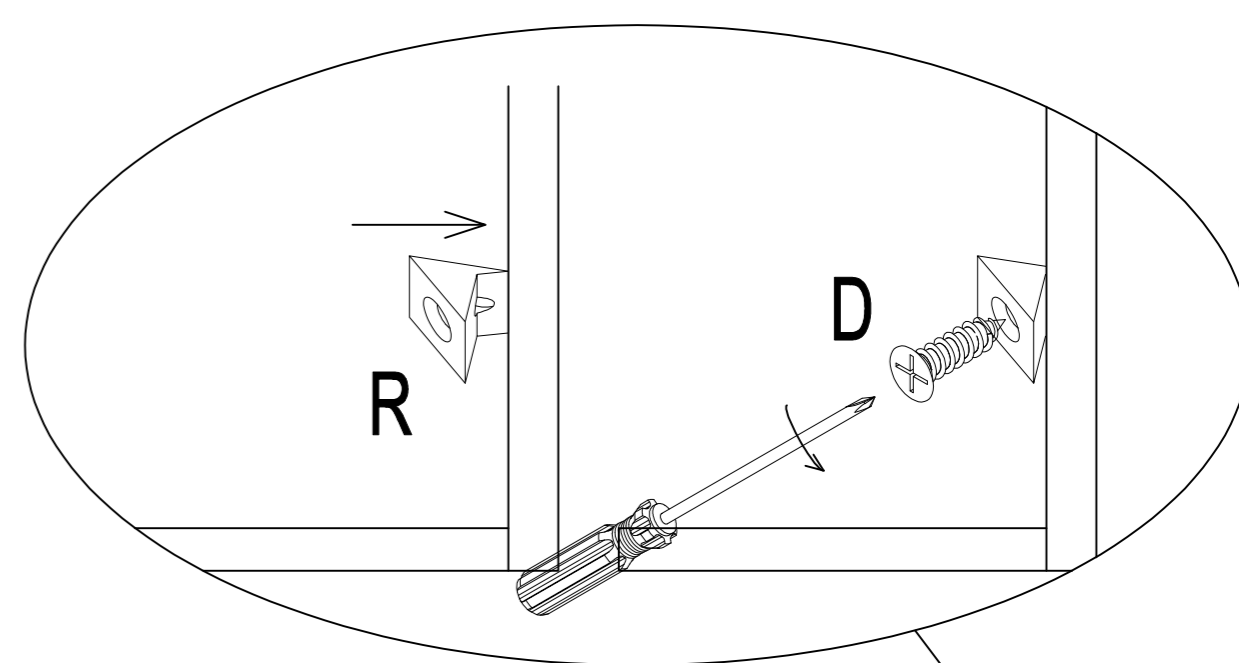
10

B x 8 PCS
C x 8 PCS



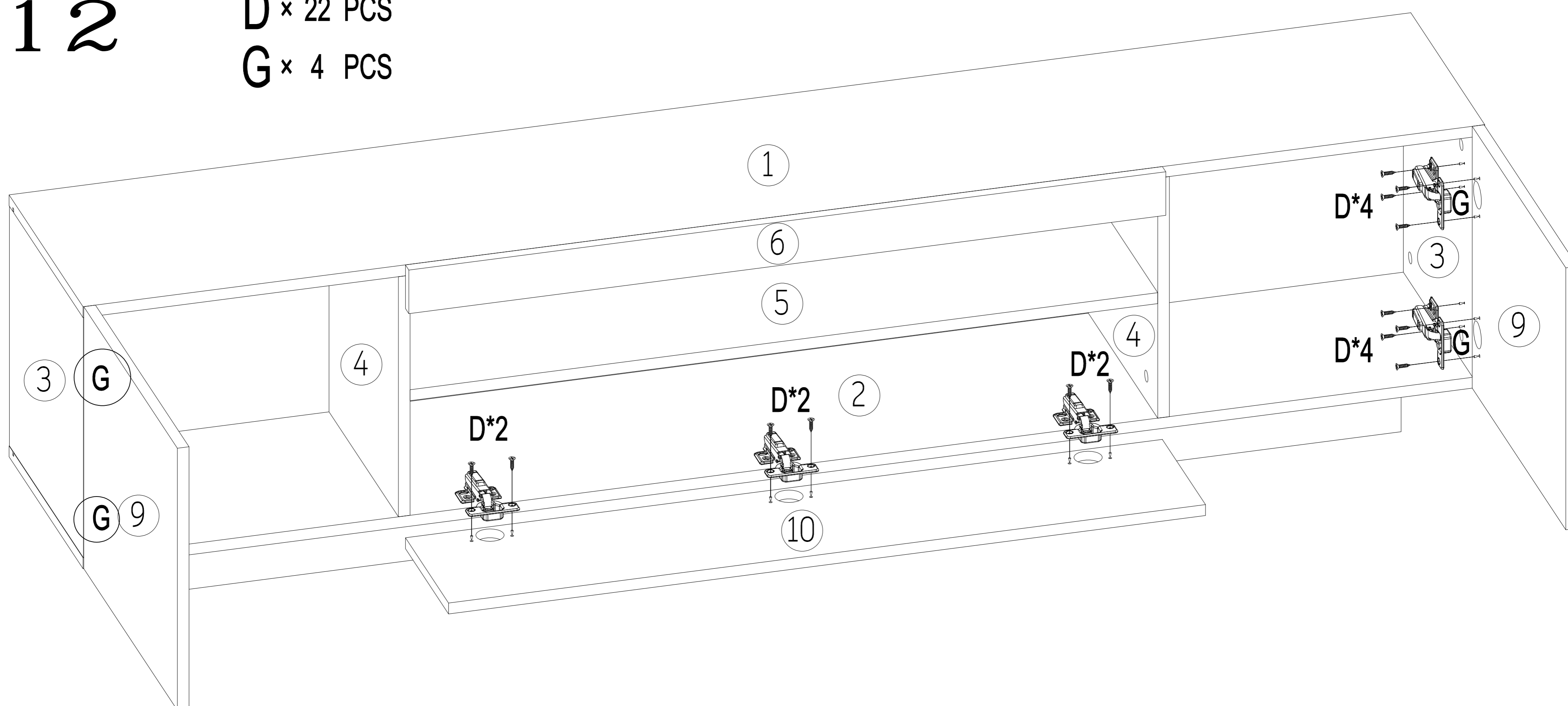
11

D x 8 PCS
R x 8 PCS



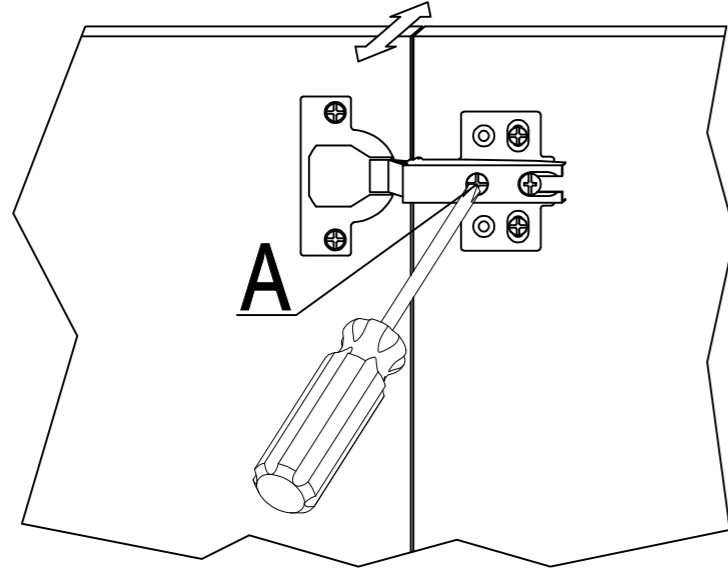
12

D x 22 PCS
G x 4 PCS

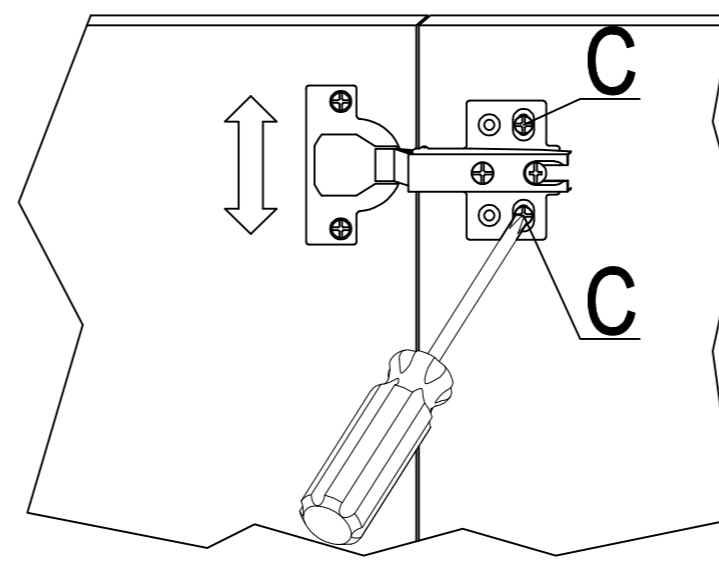


Hinge Adjustment

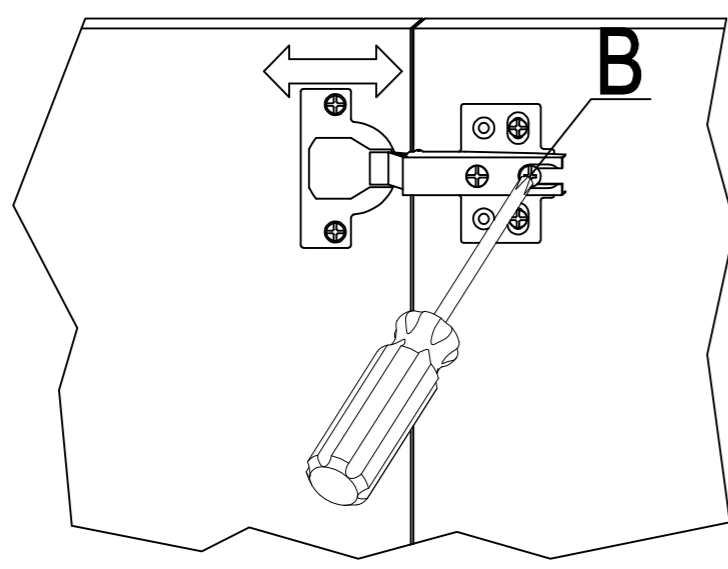
If the doors do not appear square or aligned, loosen or tighten the appropriate screws on each case hinge as illustrated.



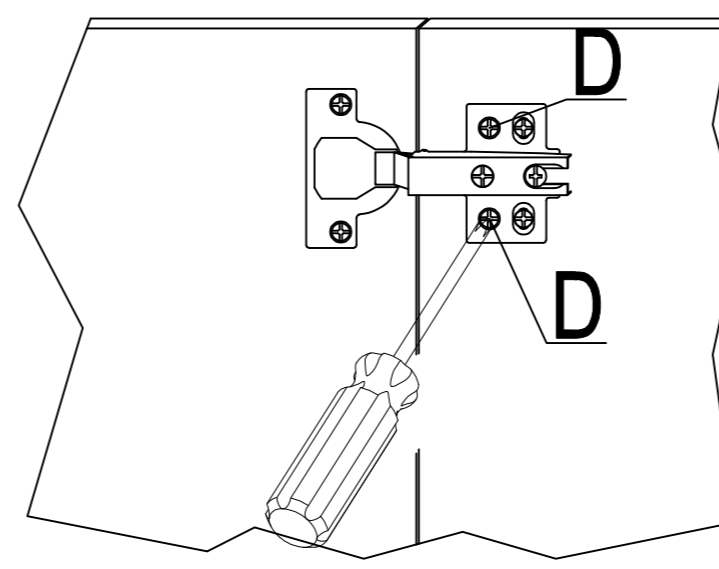
1) Side to side adjustment:
Adjust the clearance between door and cabinet by turning screw A.



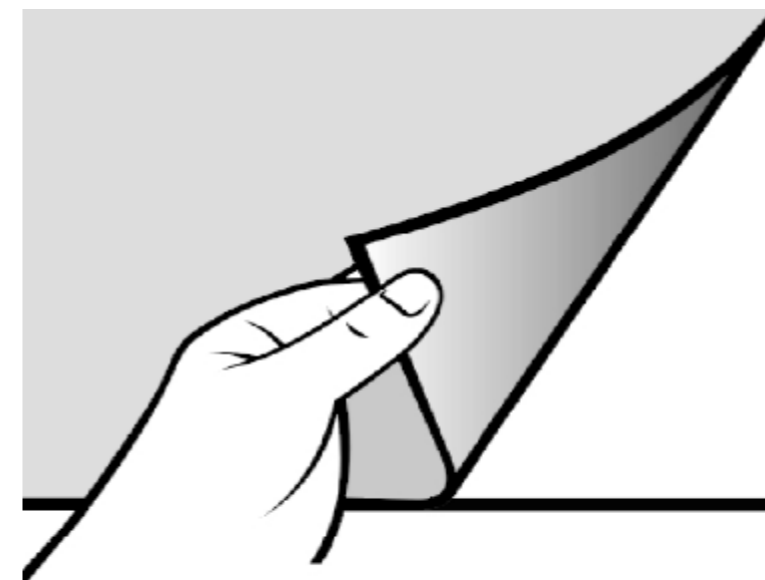
3) Height adjustment:
Loosen screw C, adjust door height and lock screw C.



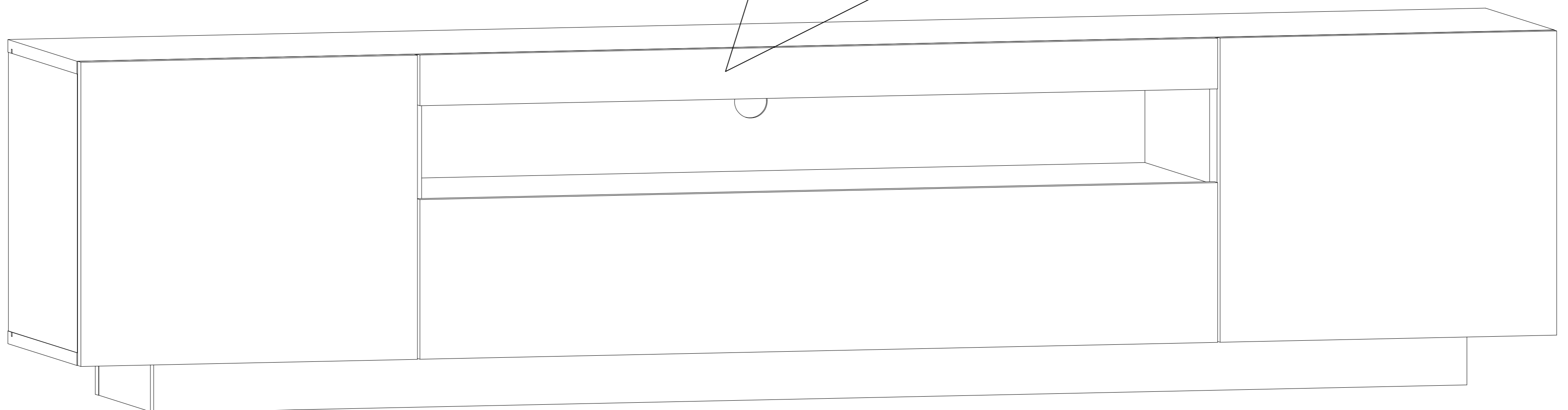
2) Depth adjustment:
Loosen screw B, push hinge arm forwards or backwards, and then lock screw B.



4) Fixed:
After adjustment, lock screw D. Make the hinge can't move.



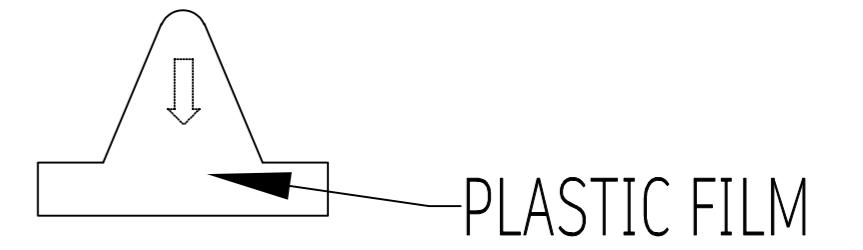
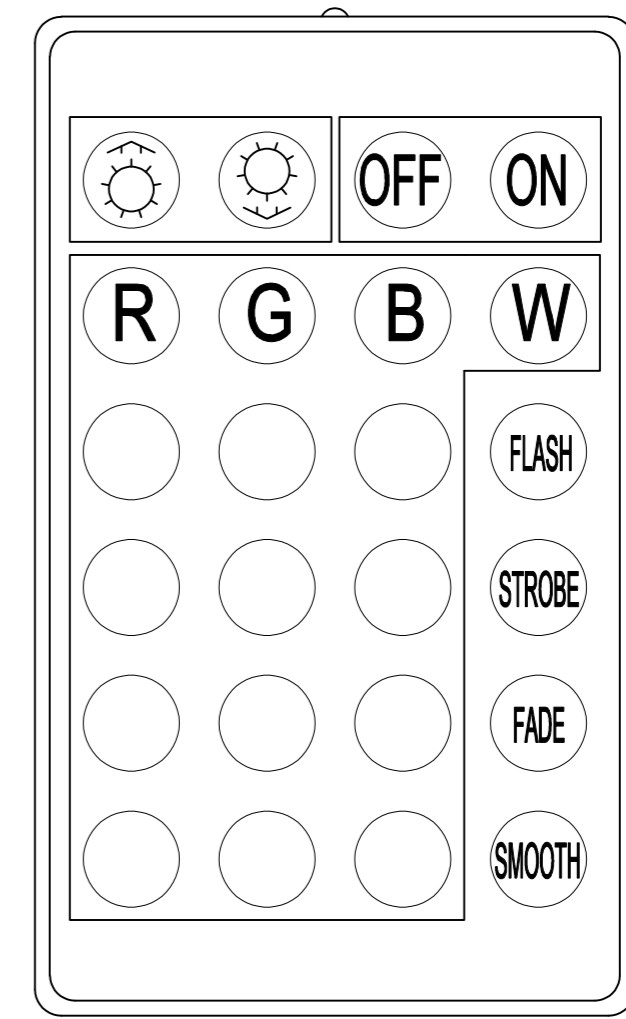
Remove the protective film from the high gloss panels.



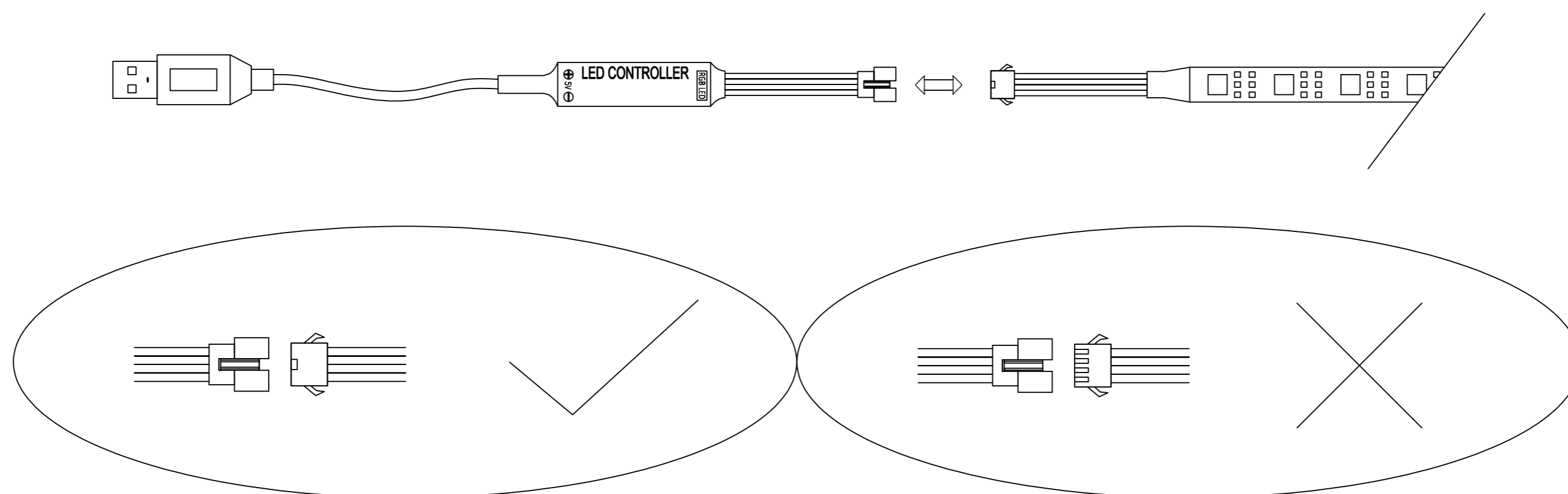
LED LIGHTS TROUBLESHOOTING

If the LED lights are not working successfully, please check the following:



1. Check the facing of the connectors and ensure that they are as shown in the illustration.
2. Check the remote controller. Remove the plastic film before use.
3. Make sure that the remote controller is within the range of the receiver, and that the transmission signal is not obstructed.



Remove the plastic film from the remote controller.



Check the facing of the connectors and ensure that they are aligned correctly.

 WARNING	
	<p>Children have been killed by furniture tip-overs. To reduce the risk of such hazards, please observe the following:</p> <ul style="list-style-type: none"> • Always install an anti-tipping device and restraint provided. • Never place a TV on top of this product.
	<ul style="list-style-type: none"> • Never allow children to stand, climb or hang on drawers, doors or shelves. • Never open more than one drawer at a time. • Place the heaviest items on the lowest shelves or drawers.