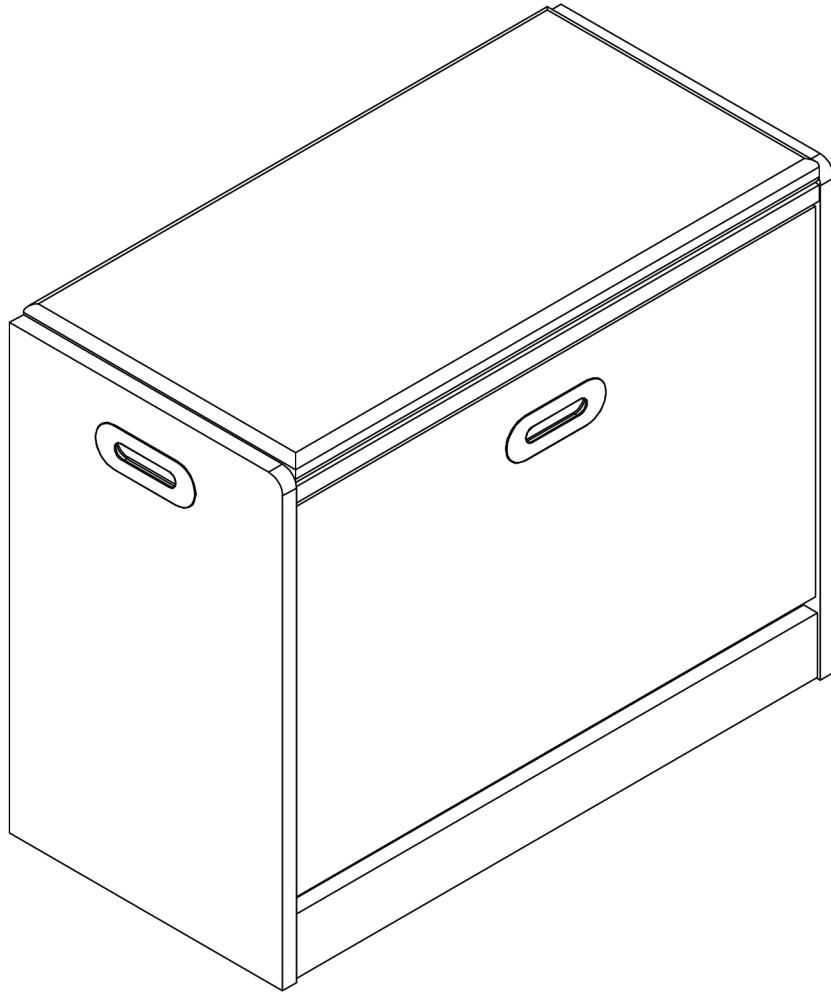


SHOE STORAGE BENCH

SS-BN-C1-WD/WH



ASSEMBLY INSTRUCTIONS

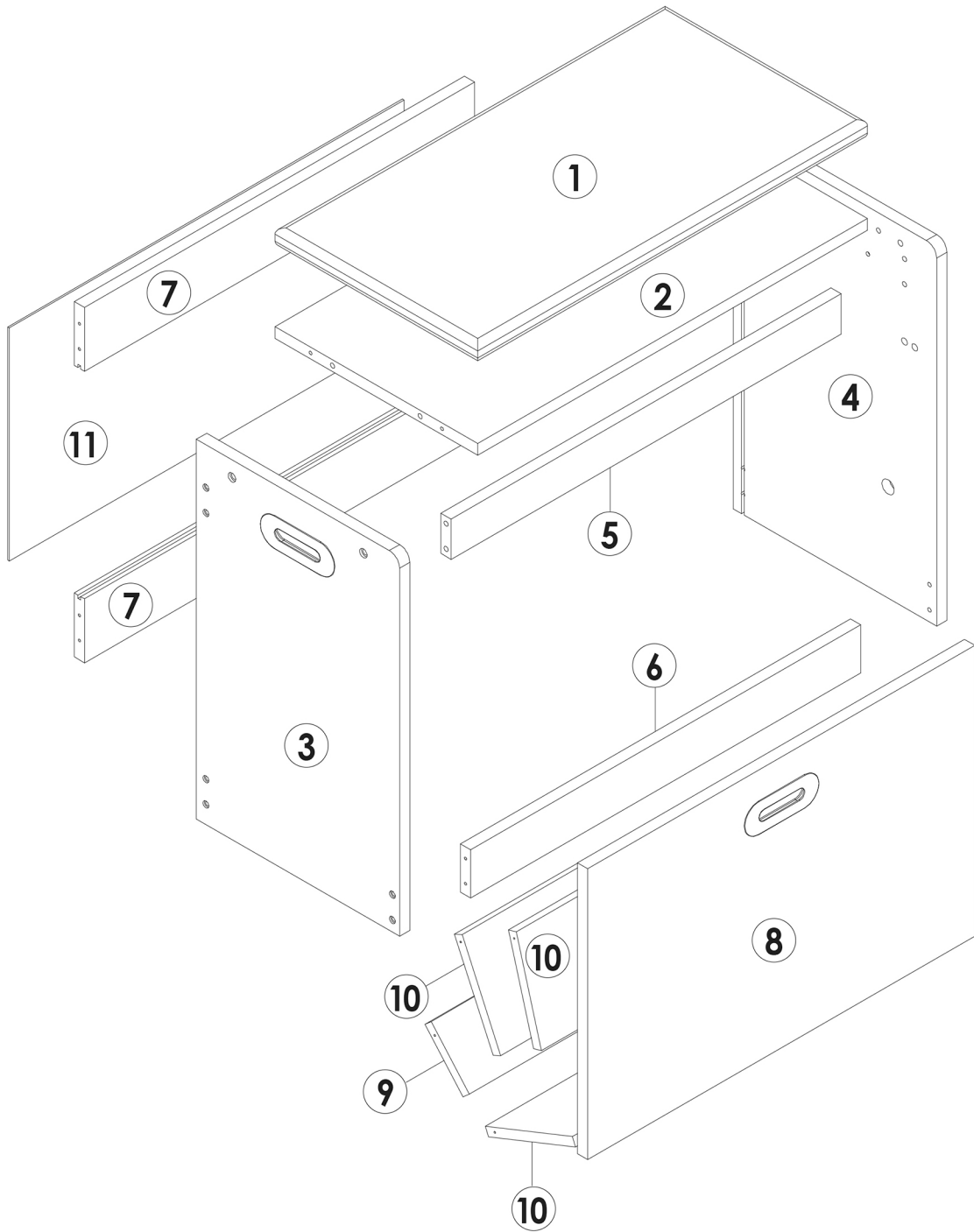
Please read these instructions carefully before assembly.

SAFETY PRECAUTIONS

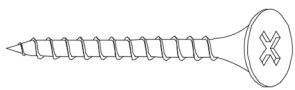
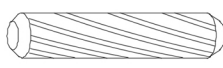
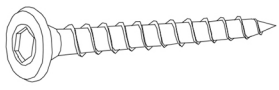
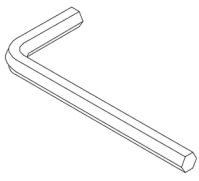
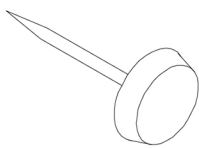
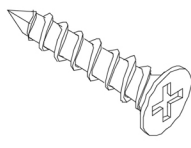
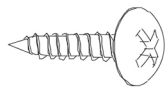
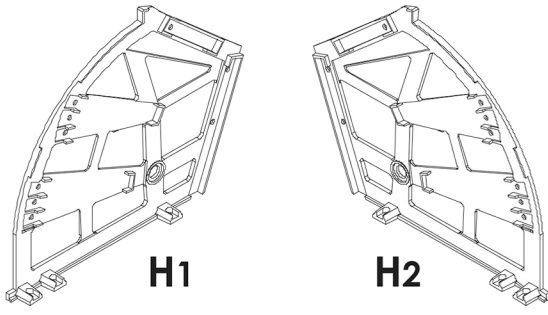
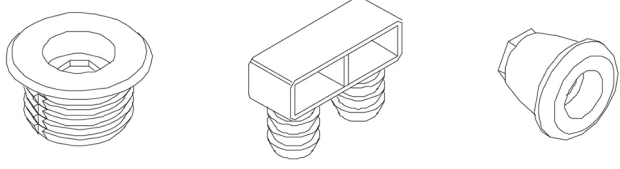
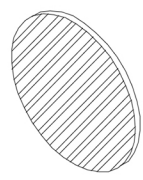
Serious or fatal injury may occur from unexpected assembly or use.

1. During the assembly process, keep all parts away from babies or children.
2. Always fix the product securely to the wall. Make sure that the wall area to be drilled is free from hidden electrical wiring, and water and gas pipes.
3. Use of tip-over restraints may only reduce, but not eliminate the risk of tip-over.
4. Unless it is specifically designed to carry it, do not set heavy objects on top of this product.
5. Place the heaviest items on the lowest shelf.
6. Never allow children to climb or strike on drawers, doors or shelves.

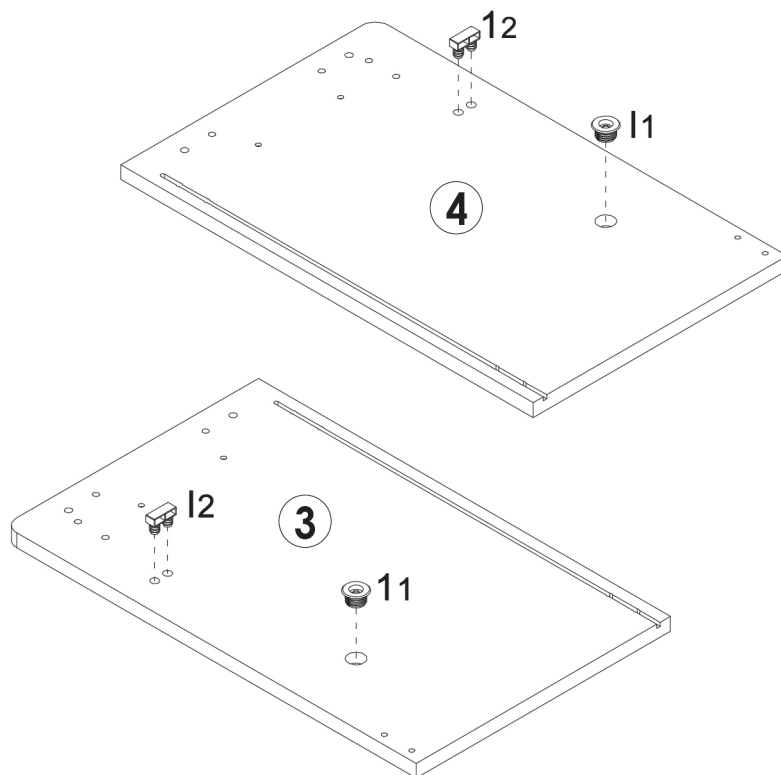
PARTS



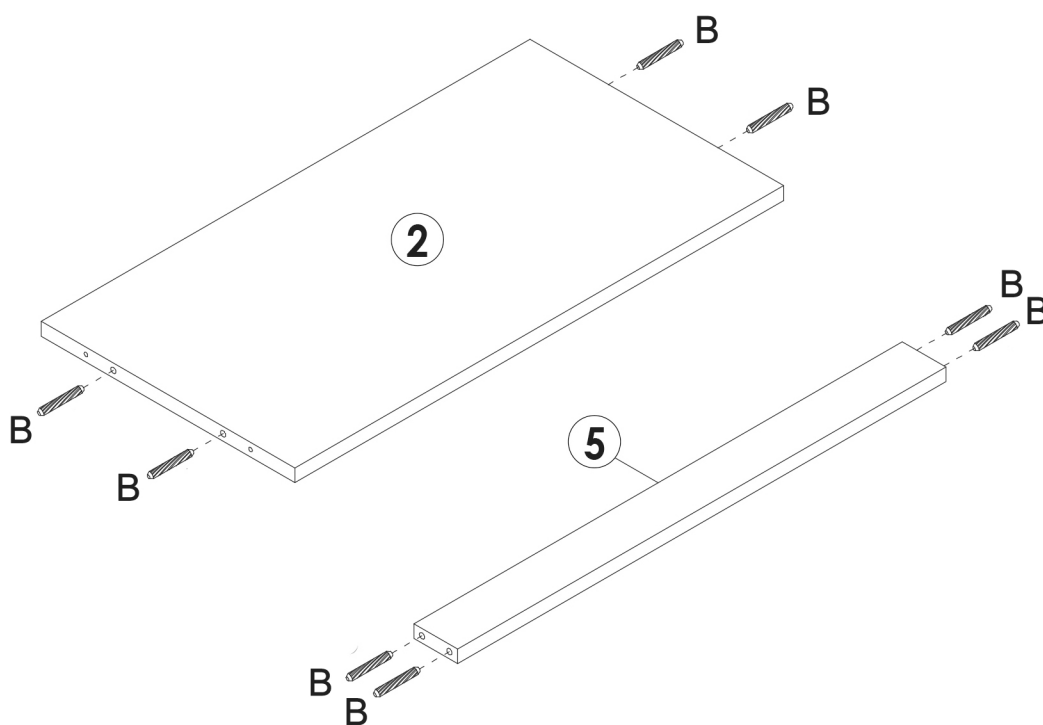
HARDWARE

<p>A</p>  <p>M4x40mm 12PCS</p>	<p>B</p>  <p>Φ6x30mm 8PCS</p>	<p>C</p>  <p>M5x40mm 4PCS</p>	
<p>D</p>  <p>1PC</p>	<p>E</p>  <p>4PCS</p>	<p>F</p>  <p>M3.5x14mm 16PCS</p>	
<p>G</p>  <p>M4x10mm 2PCS</p>	<p>H</p>  <p>H1 H2</p> <p>1SET</p>		
<p>I</p>  <p>I1 I2 I3</p> <p>2SETS</p>			<p>J</p>  <p>Φ15mm 16PCS</p>

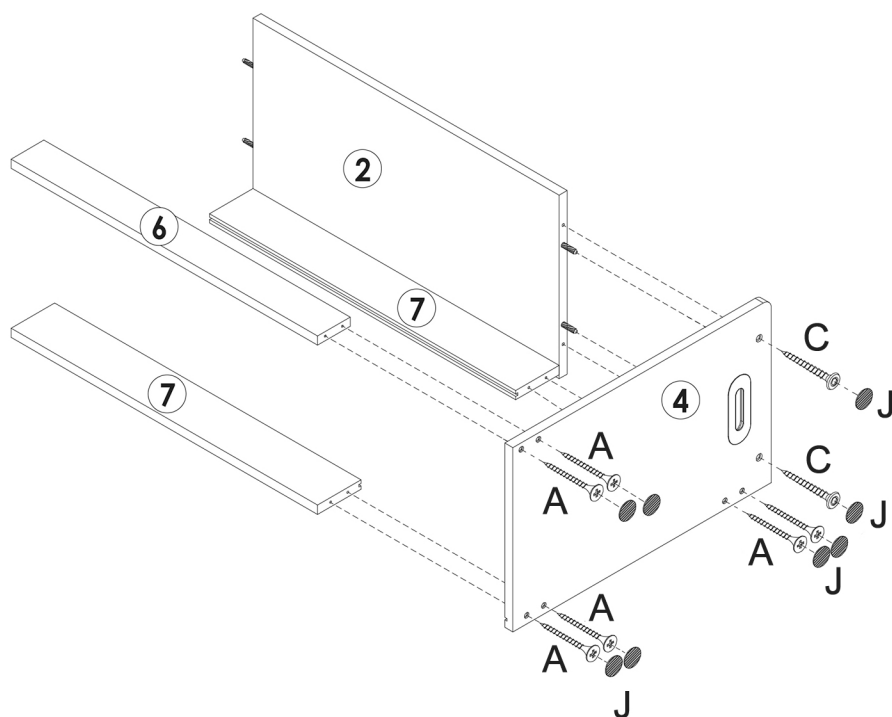
STEP 1



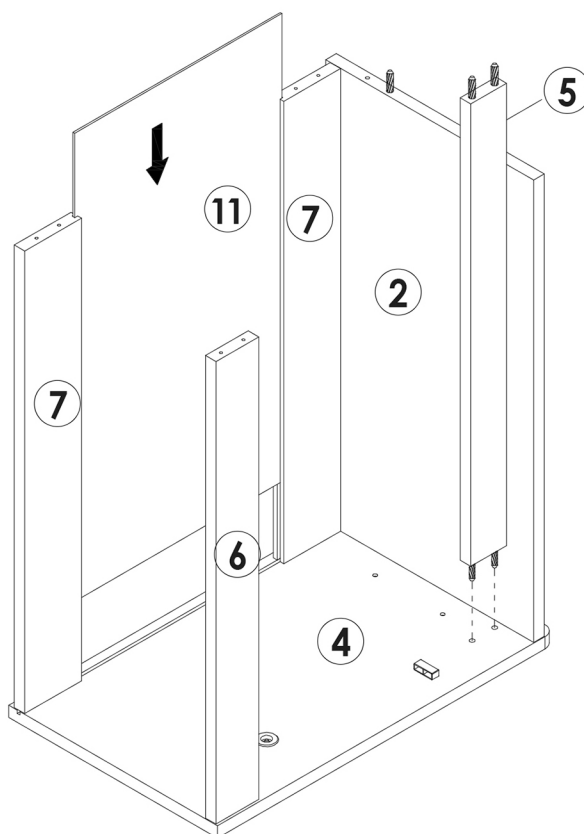
STEP 2



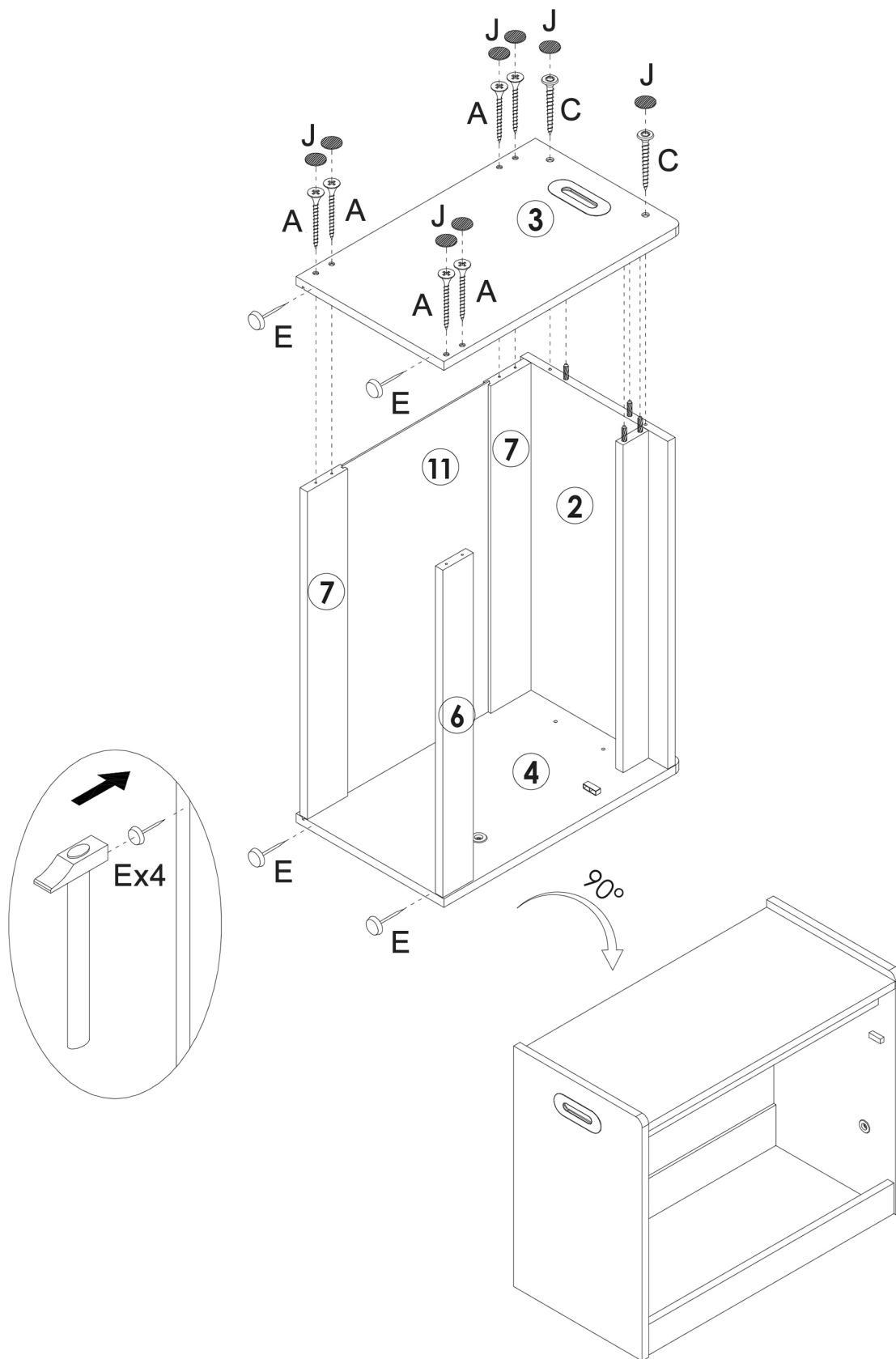
STEP 3



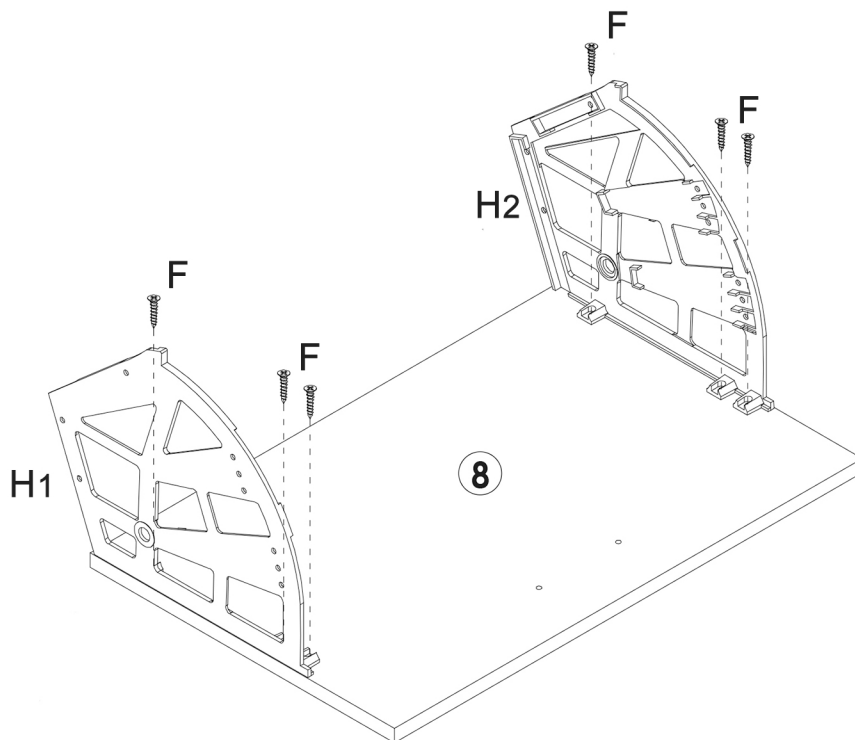
STEP 4



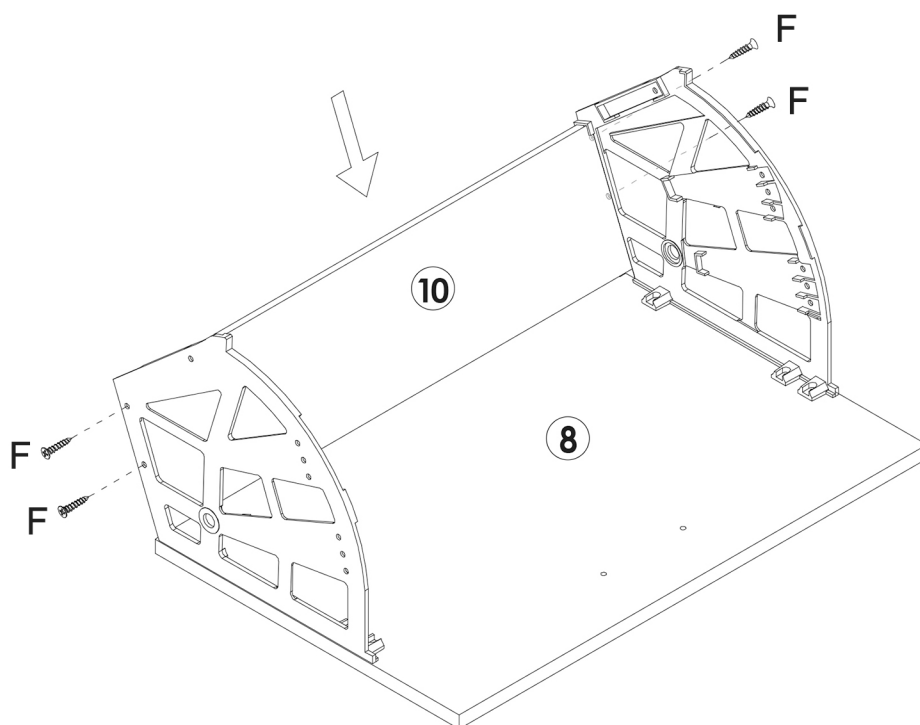
STEP 5



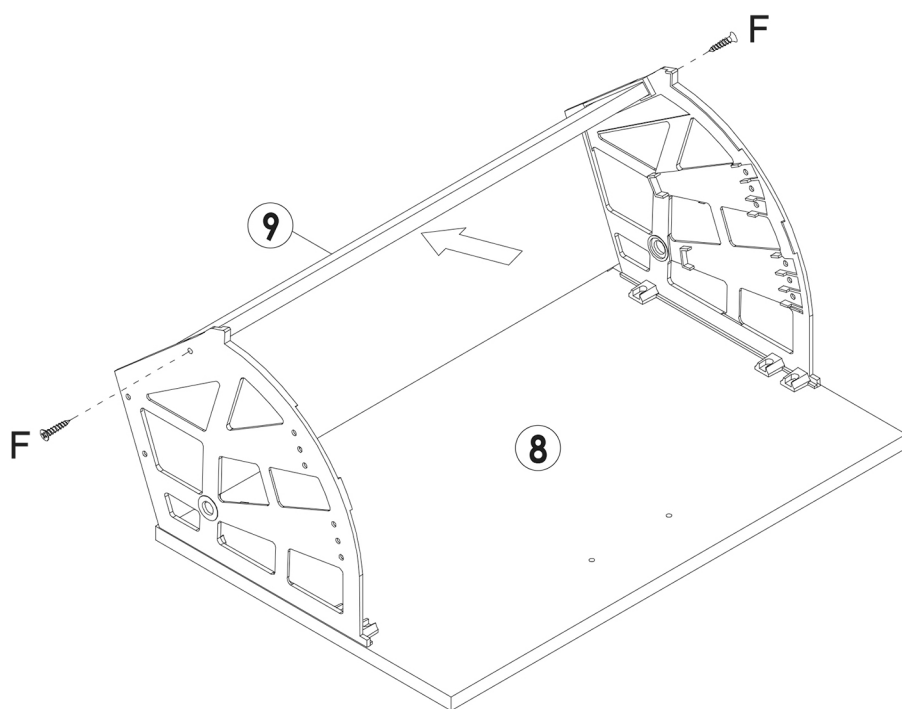
STEP 6



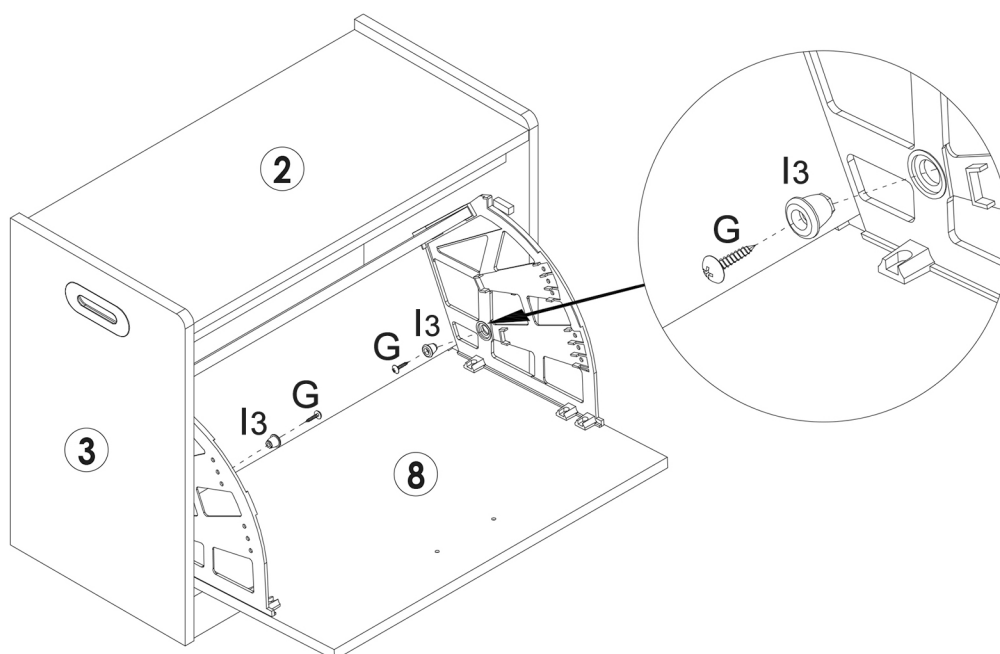
STEP 7



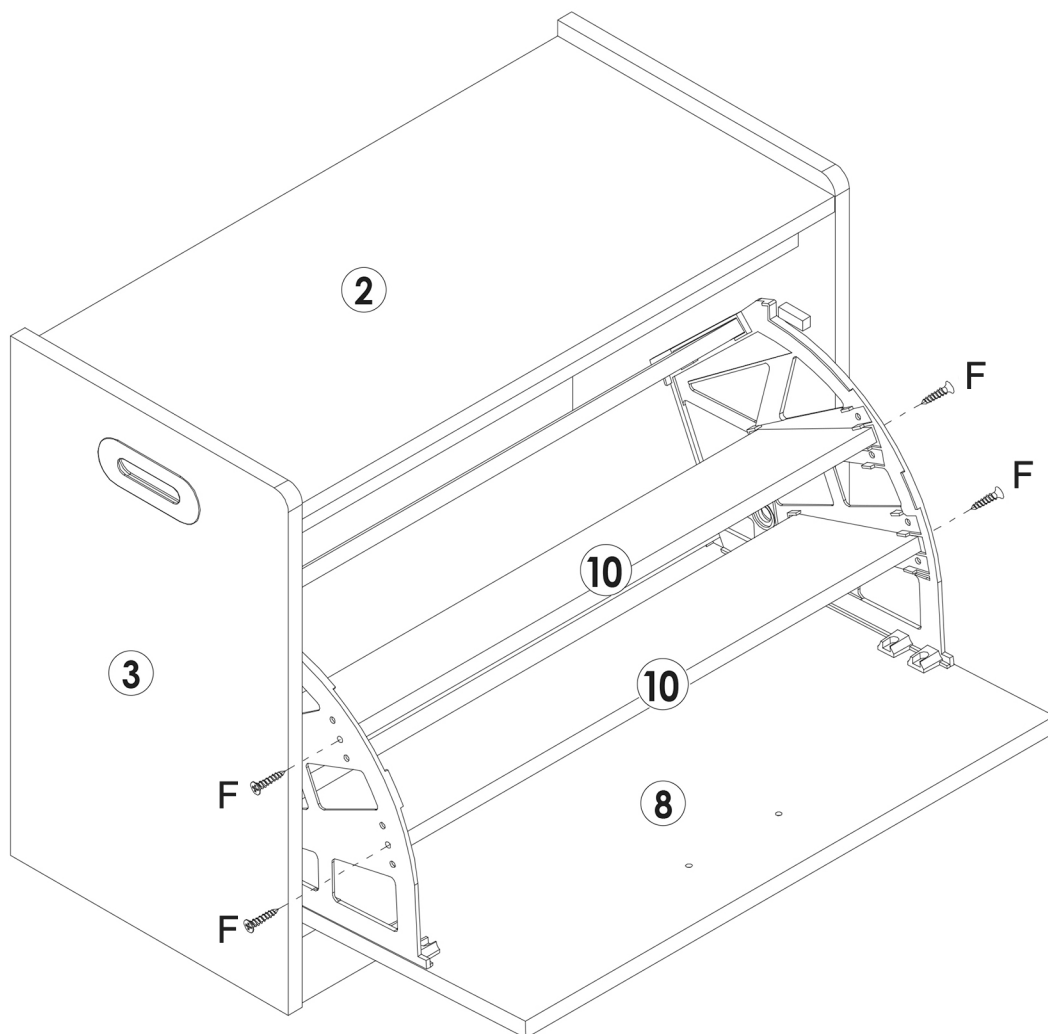
STEP 8



STEP 9



STEP 10



STEP 11

