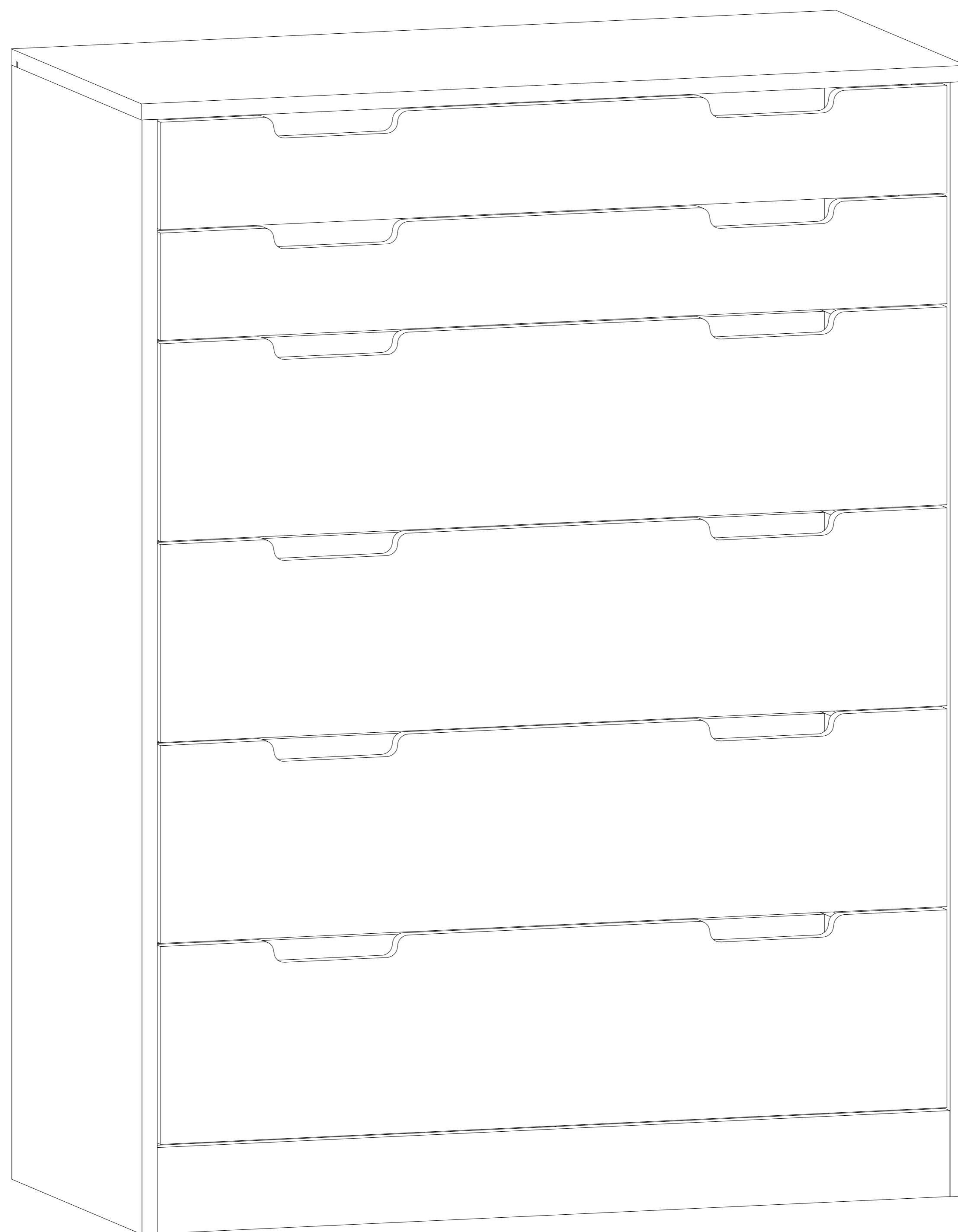




Drawer Cabinet

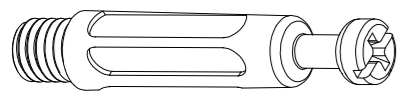
SKU: COD-BD-PMA-6D-WH/WD

Size: 800×380×1055 mm

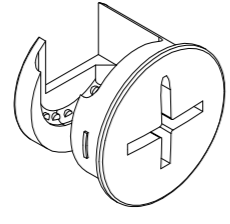


Hardware

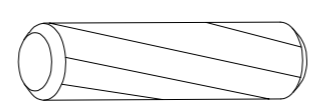
A × 26 PCS
Φ6×40mm



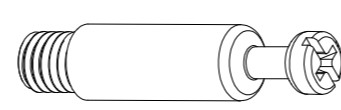
B × 26 PCS
Φ15×11mm



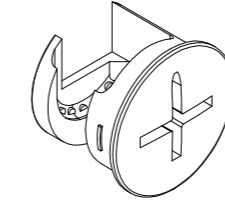
C × 4 PCS
Φ8×40mm



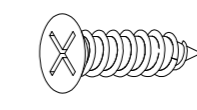
D × 30 PCS
ST5×40mm



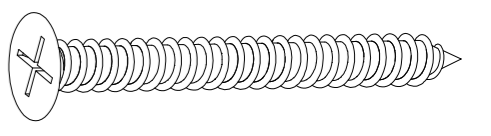
E × 30 PCS
Φ15×9mm



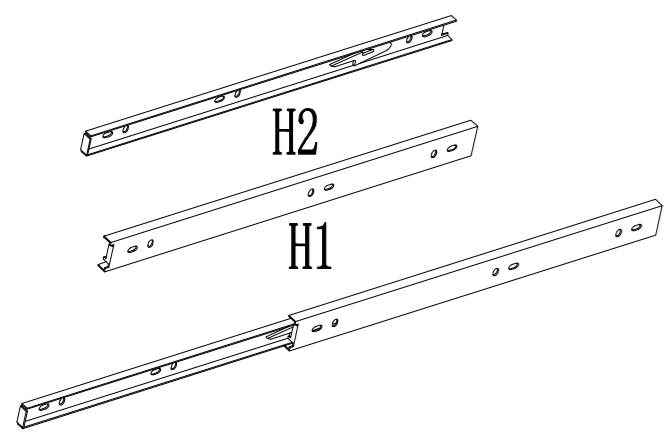
F × 62 PCS
ST3.5×12



G × 34 PCS
ST3.5×35



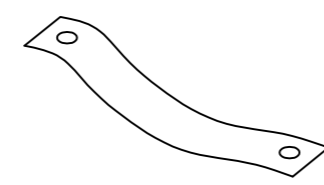
H × 6 SETS



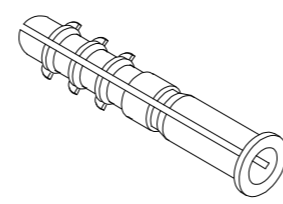
J × 4 PCS



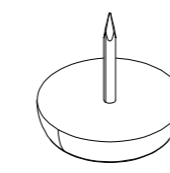
K × 2 PCS



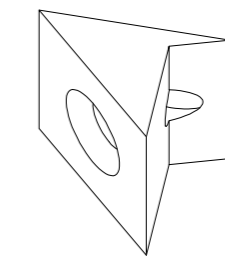
L × 2 PCS



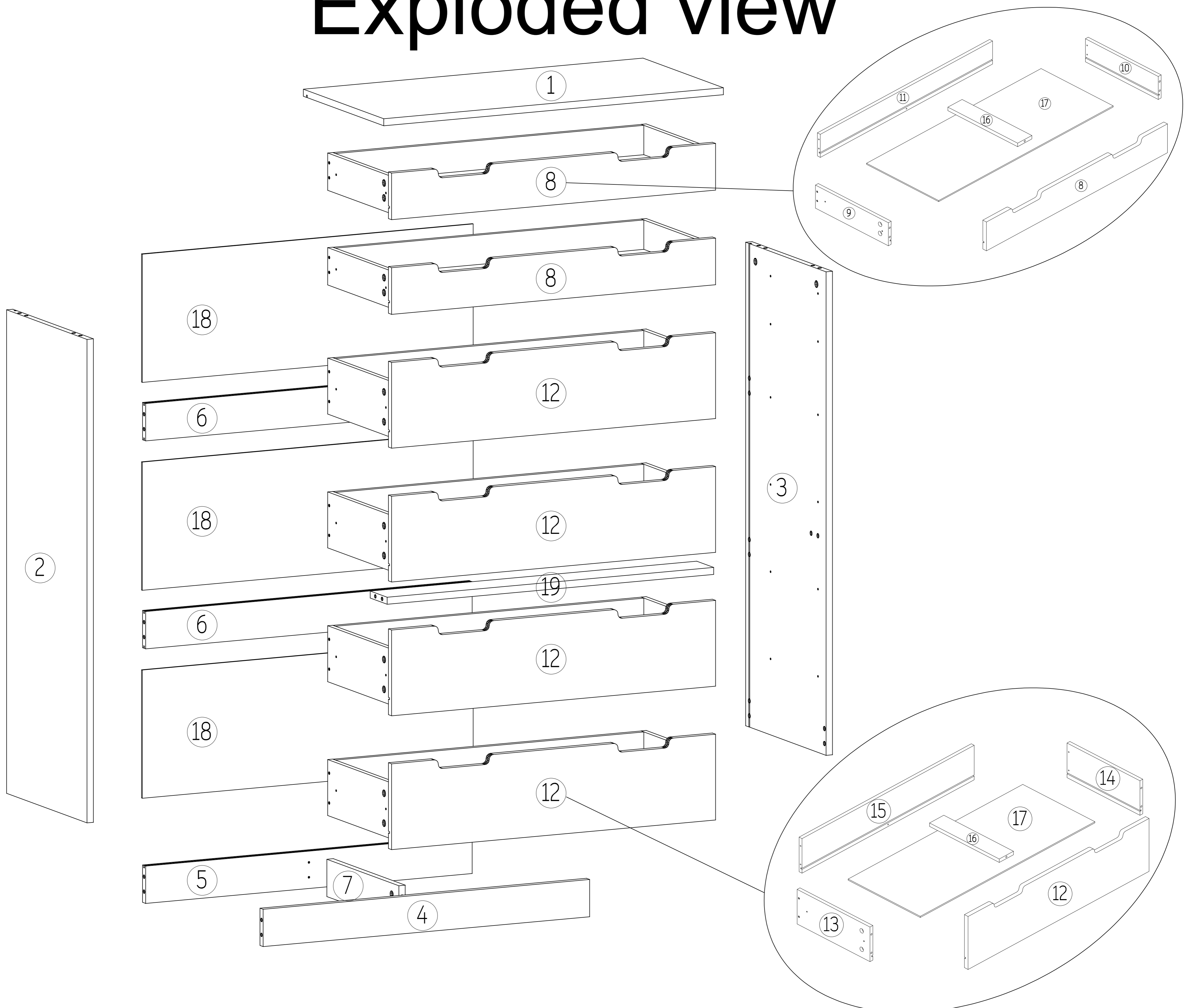
M × 6 PCS



R × 12 PCS



Exploded view

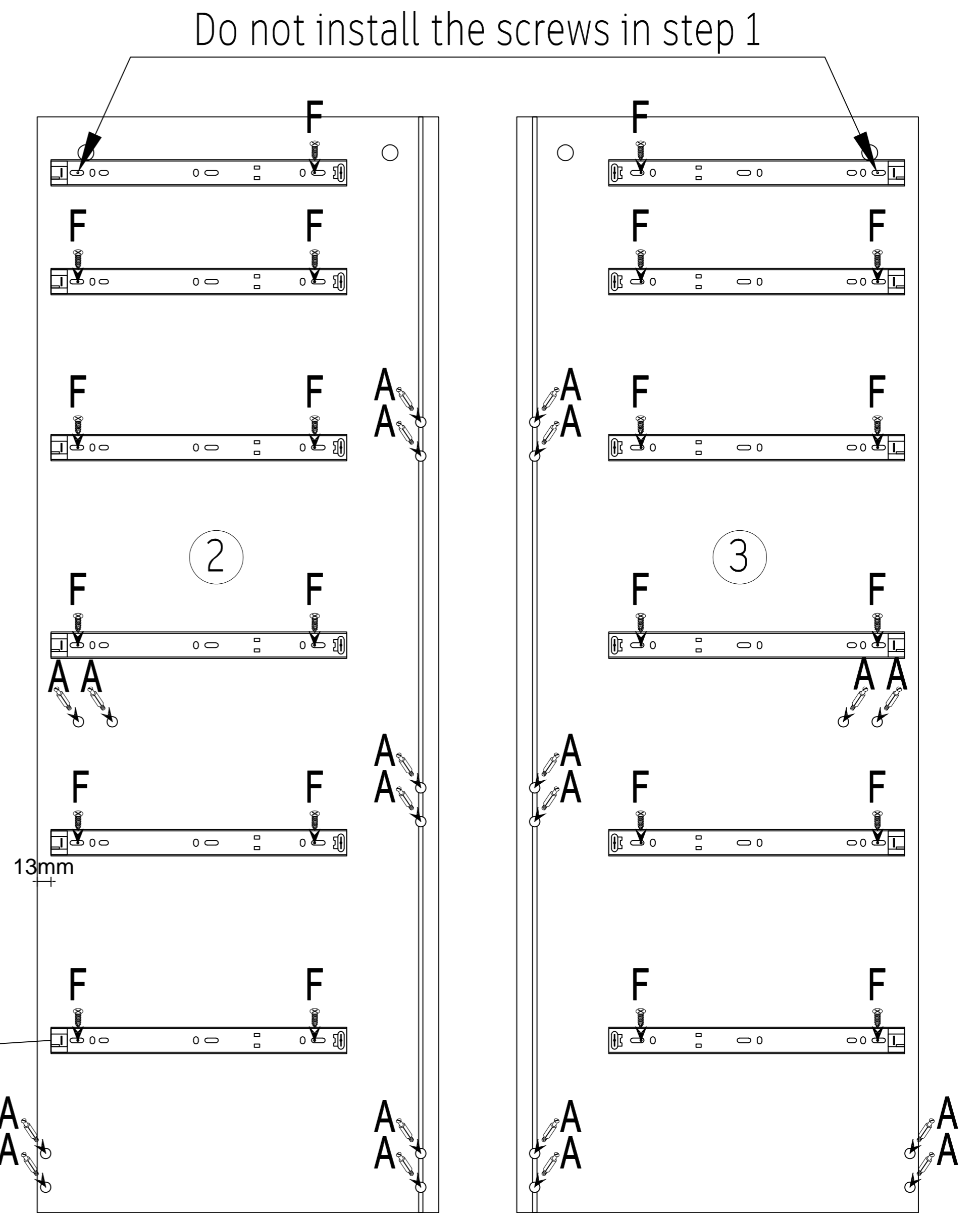
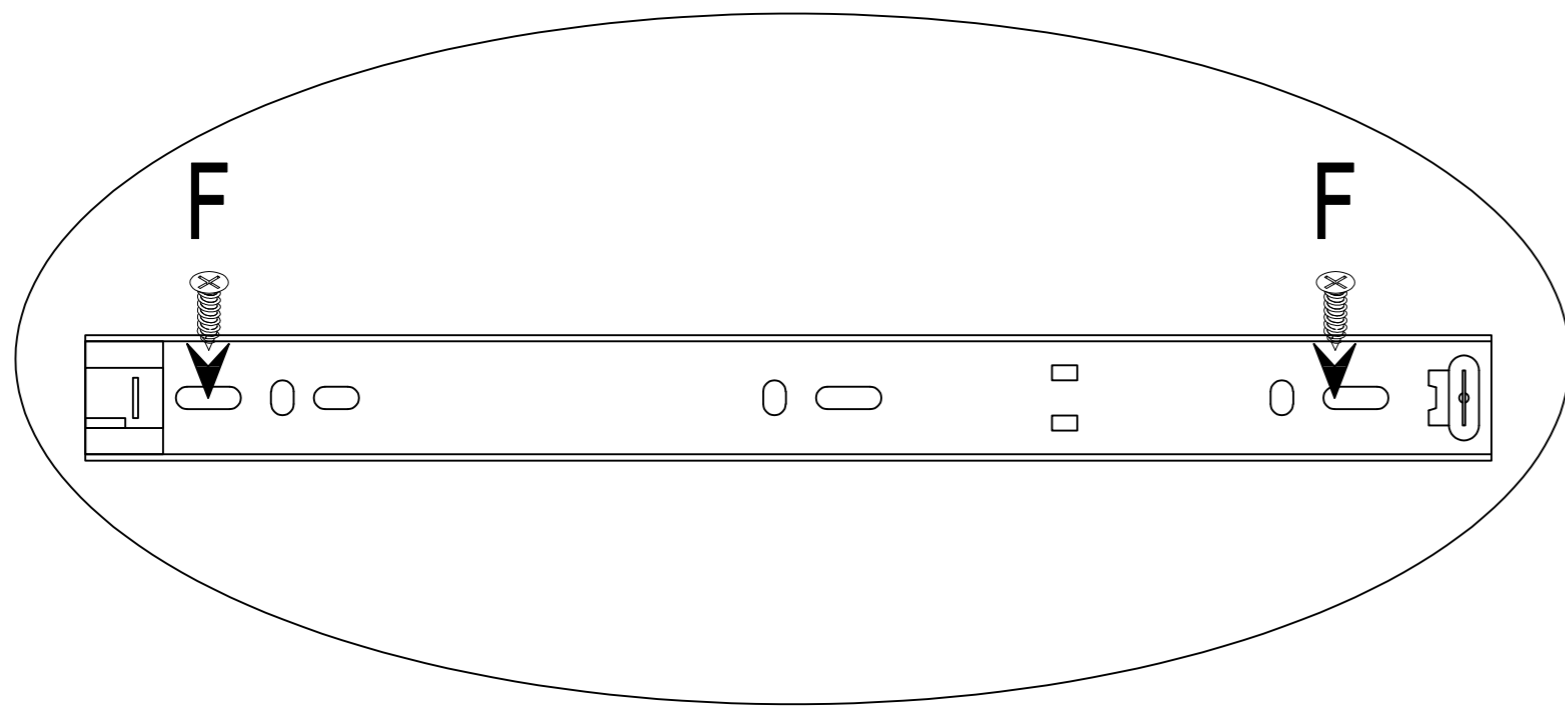
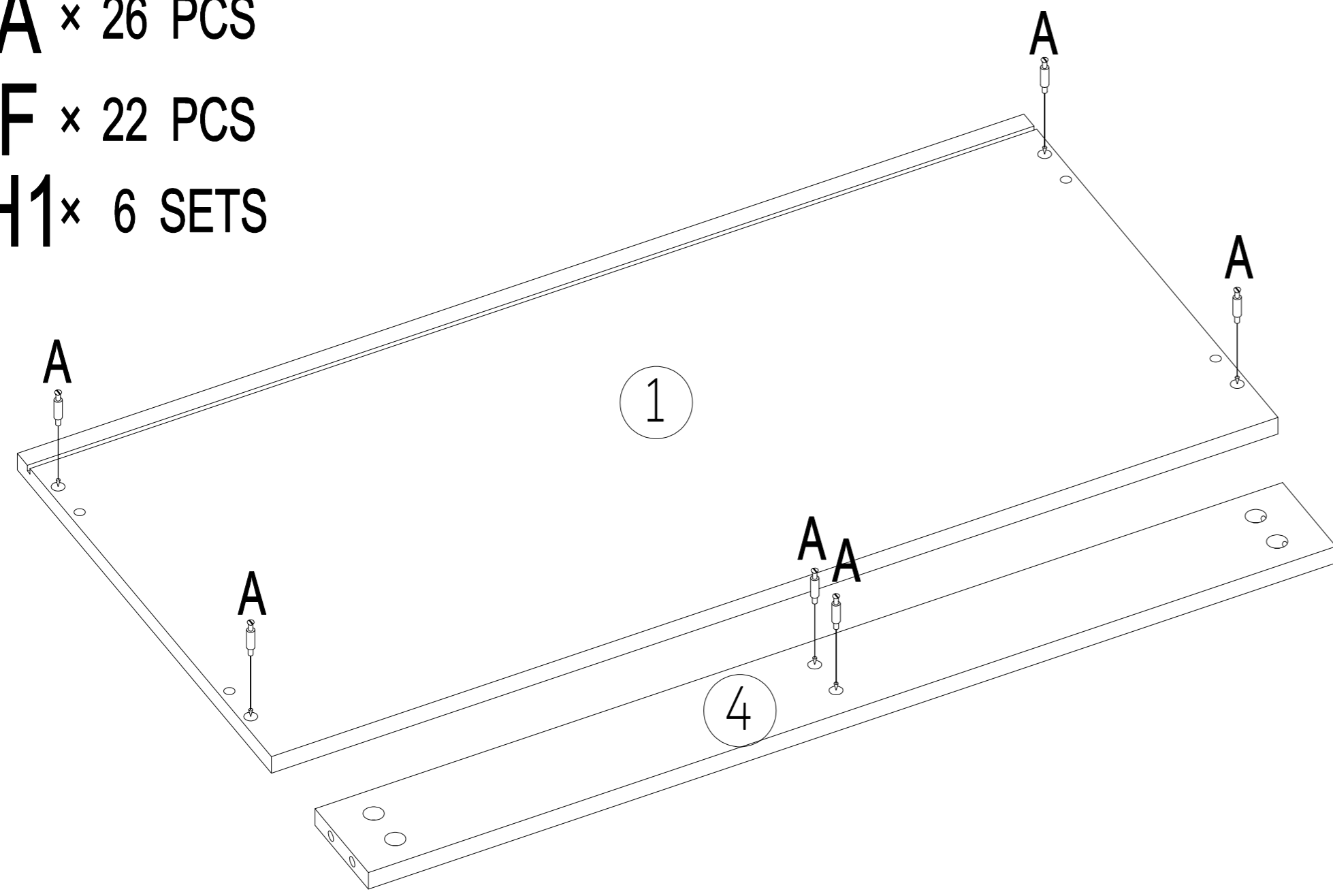


1

A × 26 PCS

F × 22 PCS

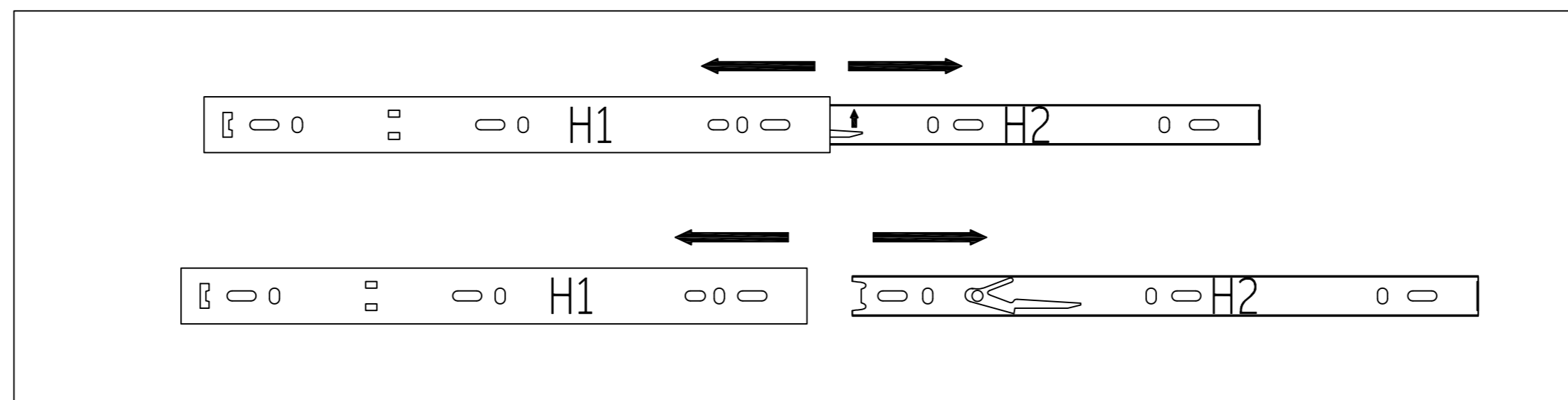
H1 × 6 SETS



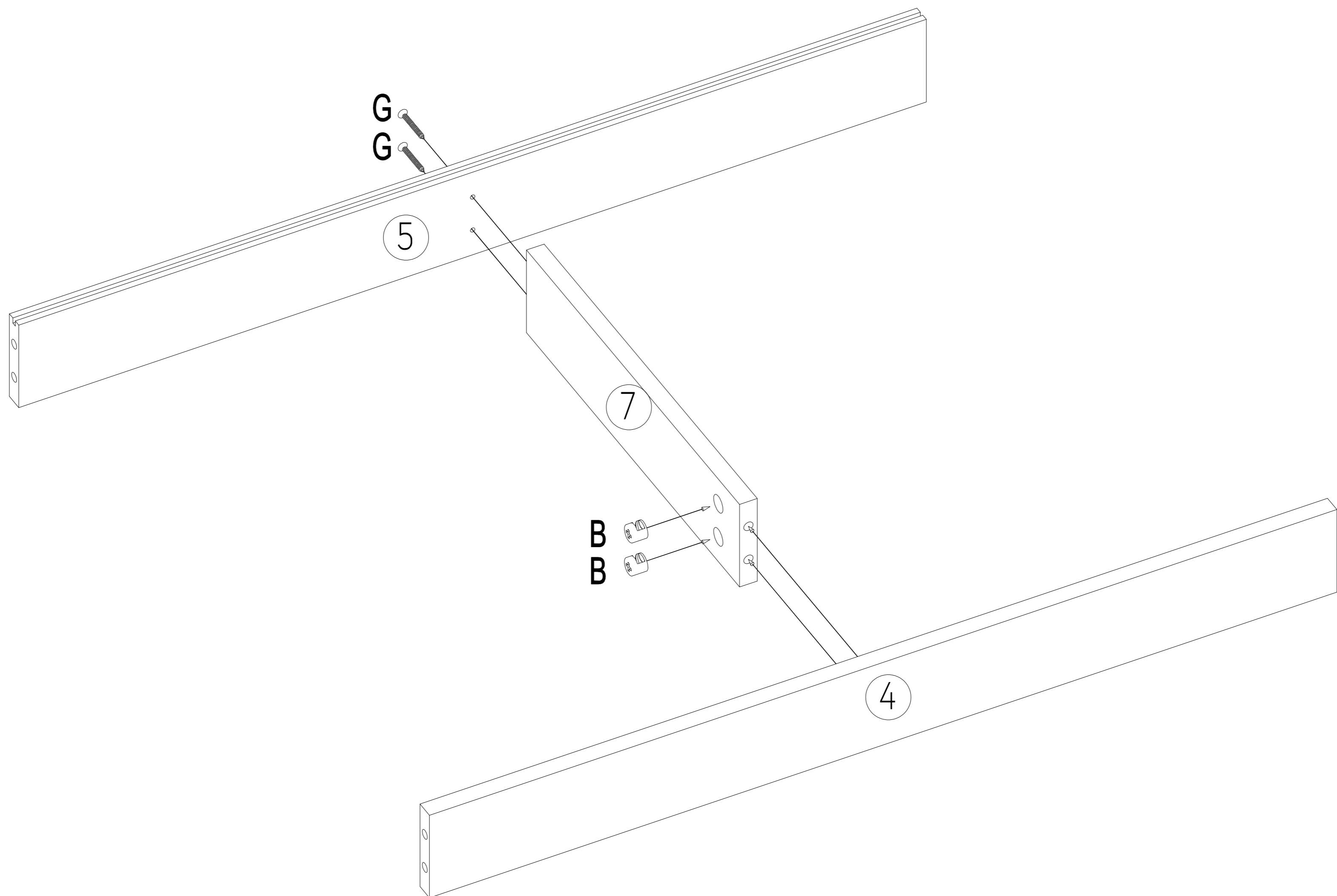
2

B × 2 PCS

G × 2 PCS

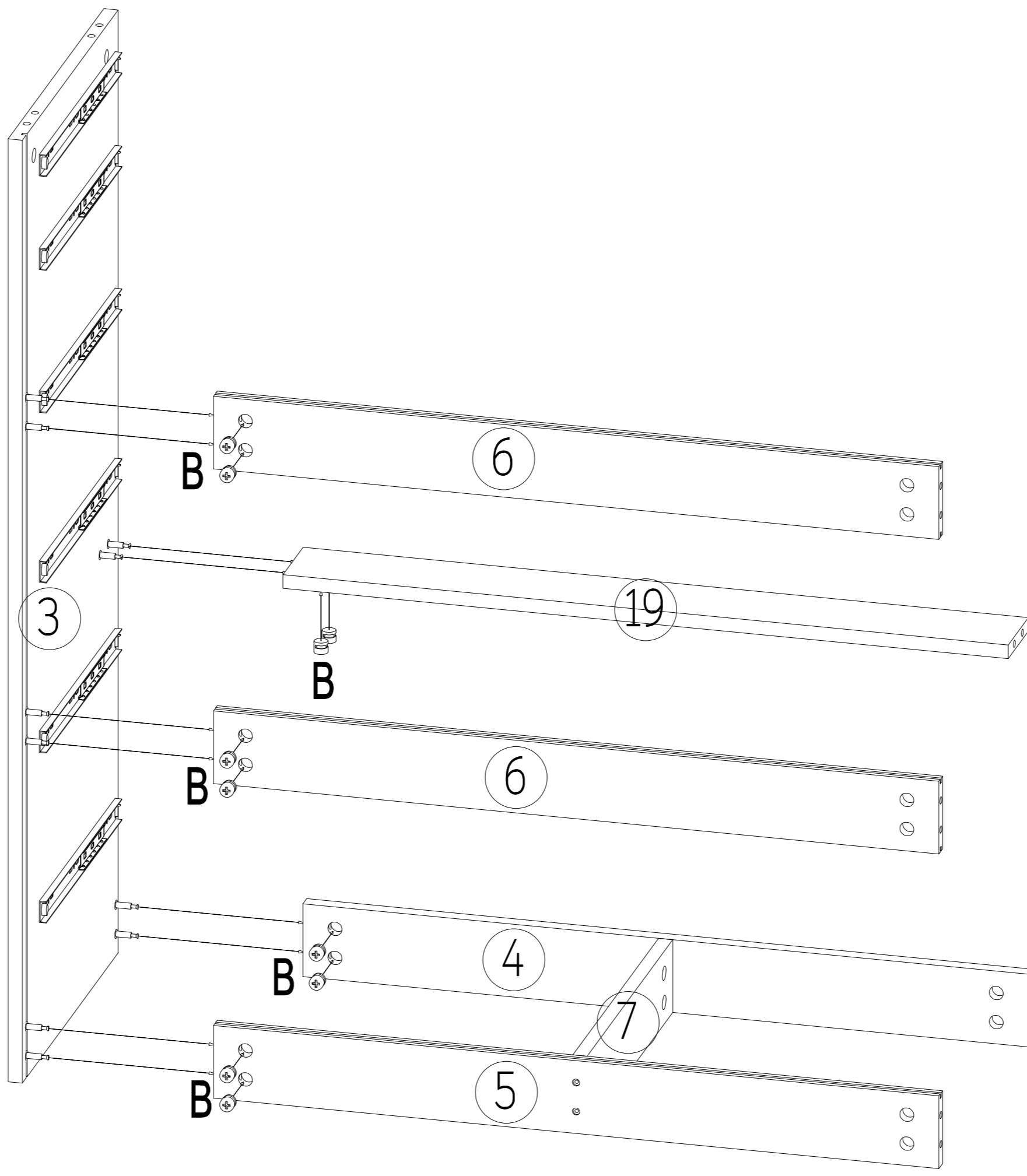


Remove H2 from H1 by pressing the catch as indicated in the drawing.

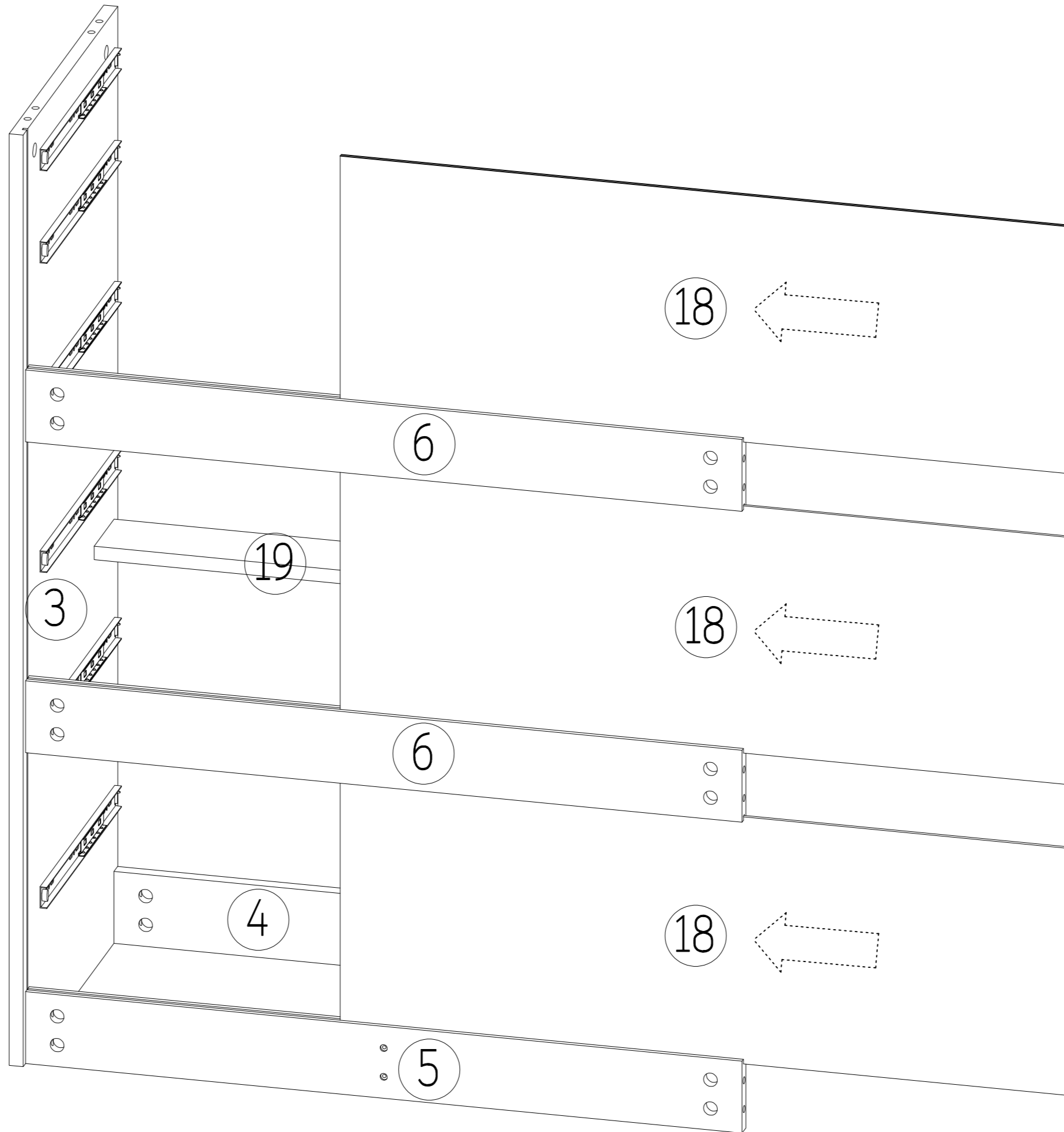


3

B x 10 PCS

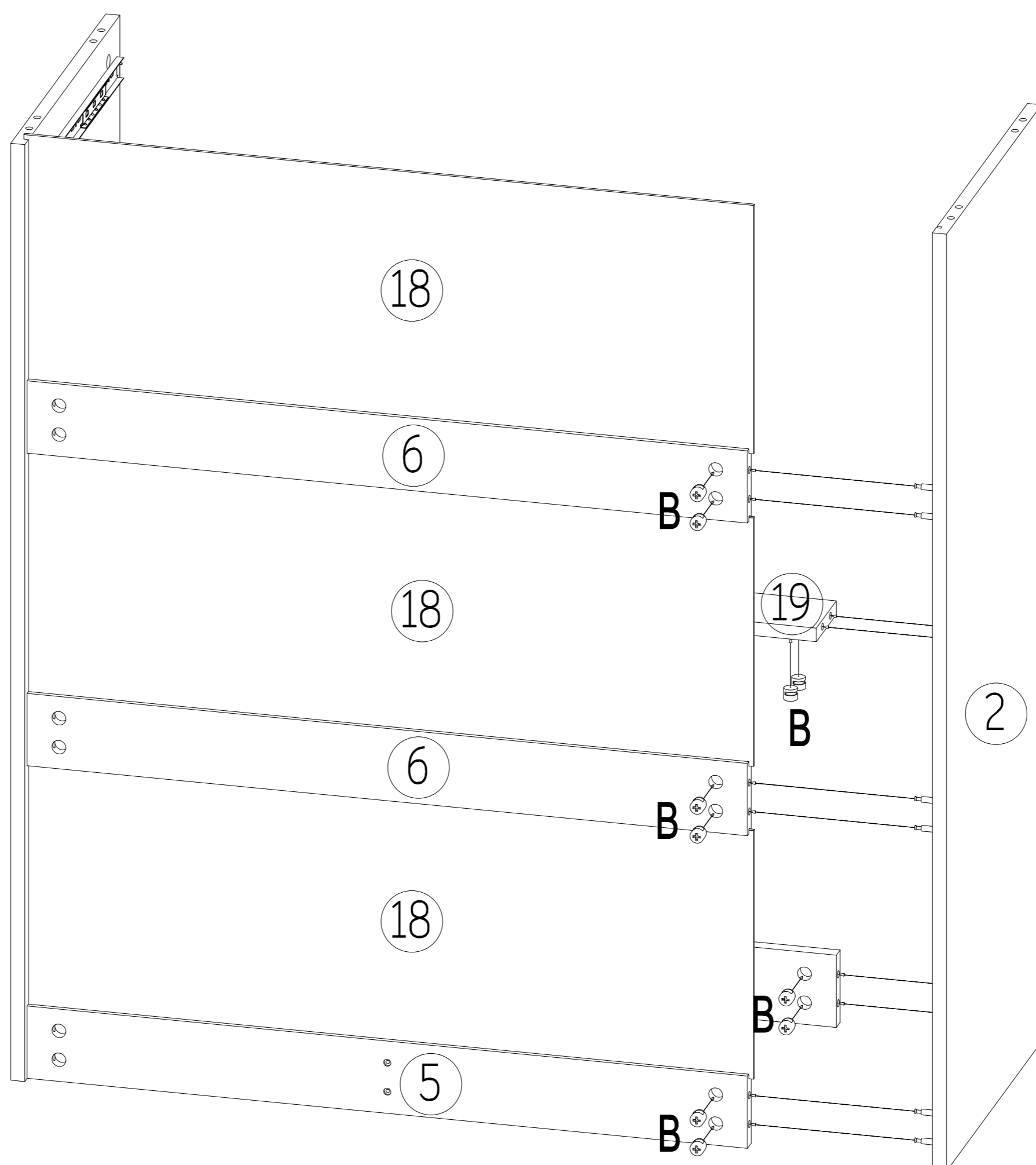


4



5

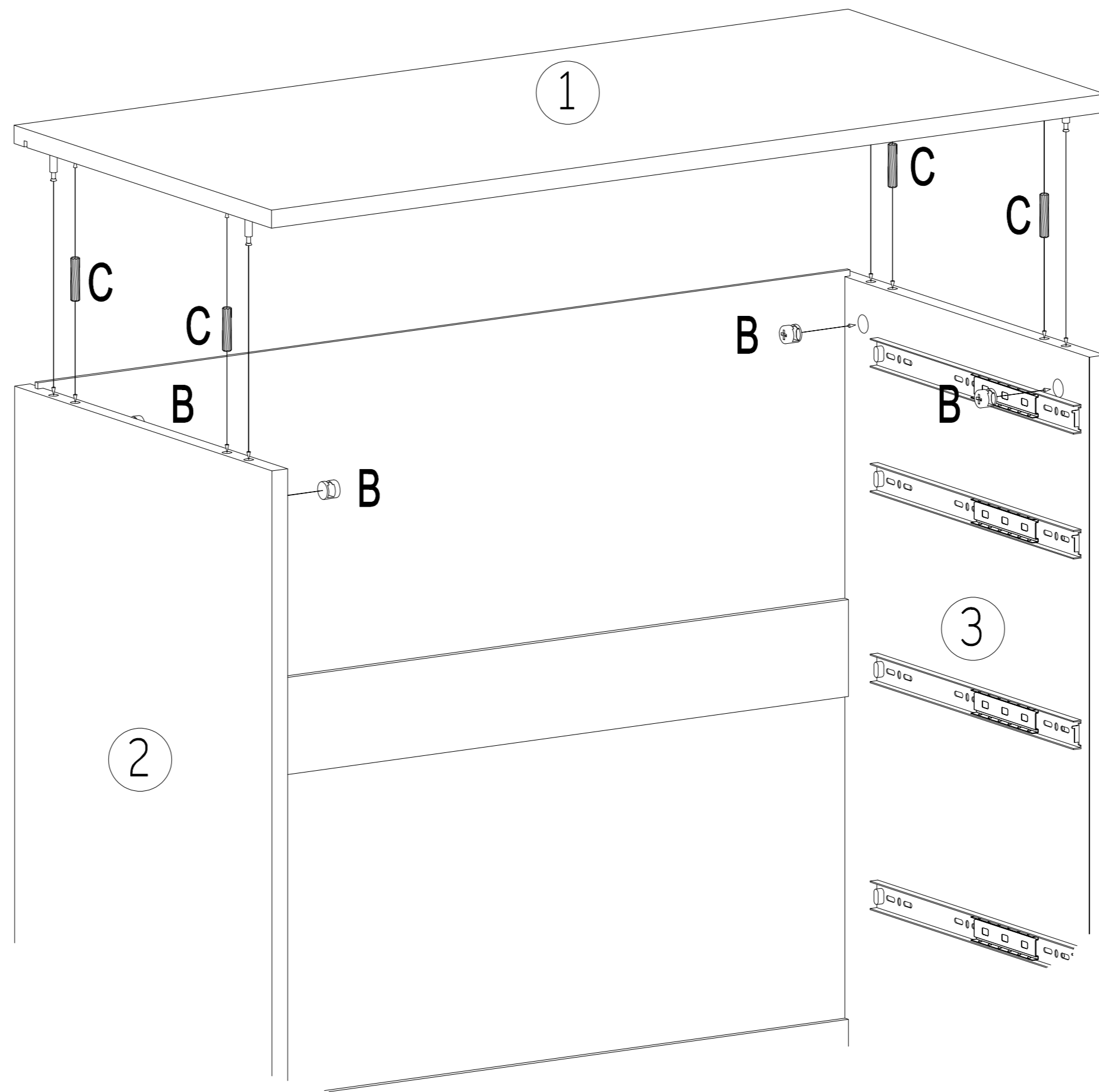
B x 10 PCS



6

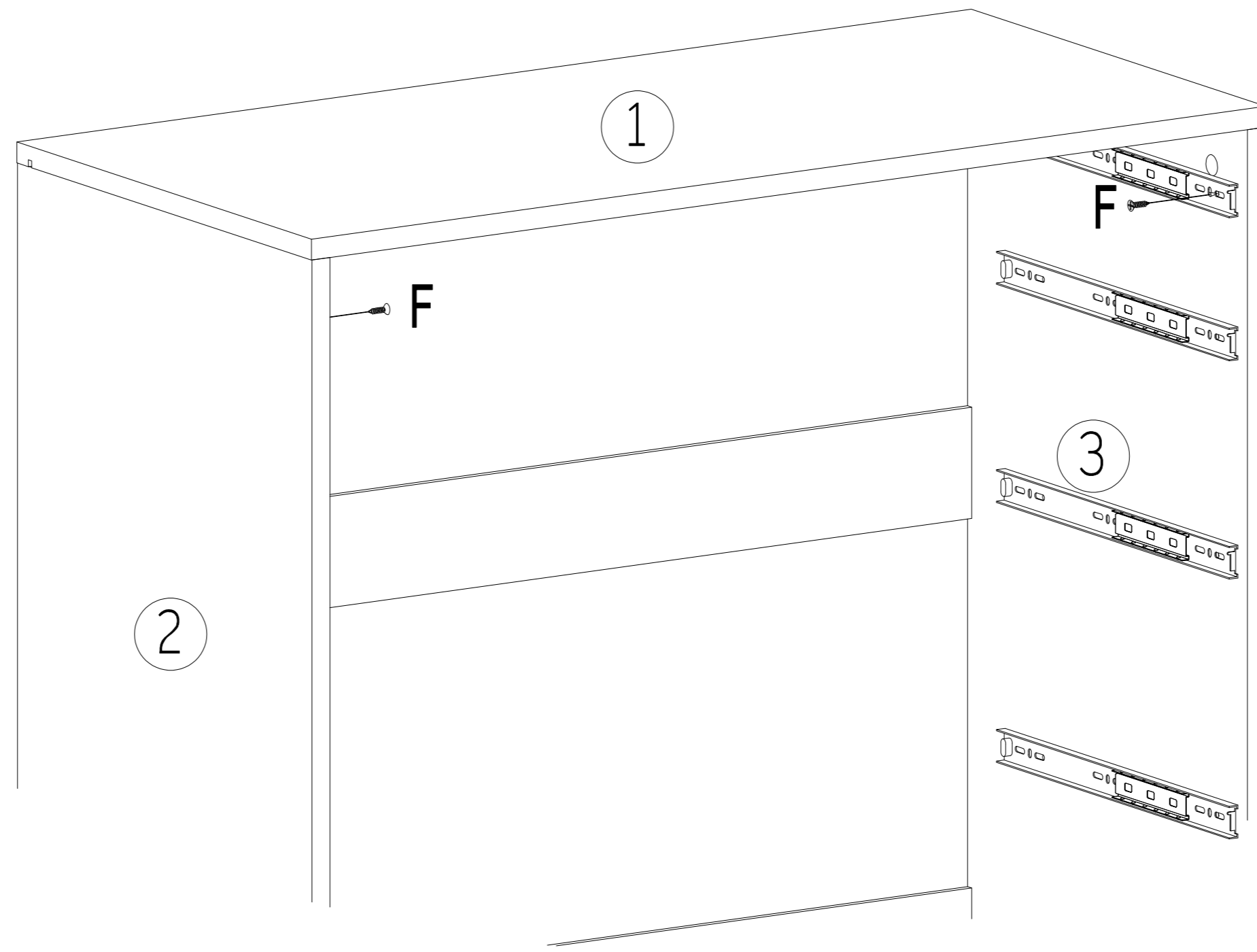
B x 4 PCS

C x 4 PCS



7

F x 2 PCS

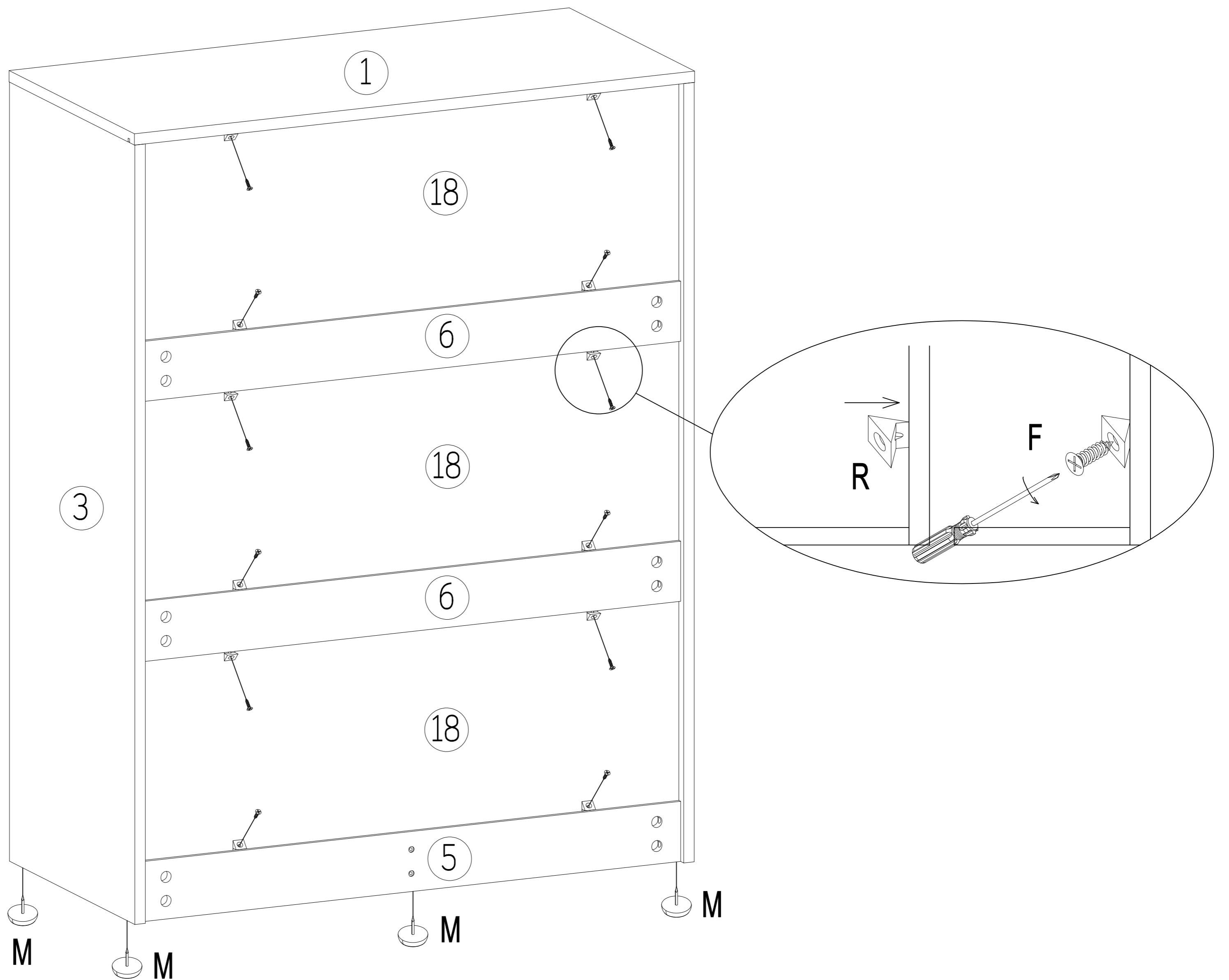


8

F x 12 PCS

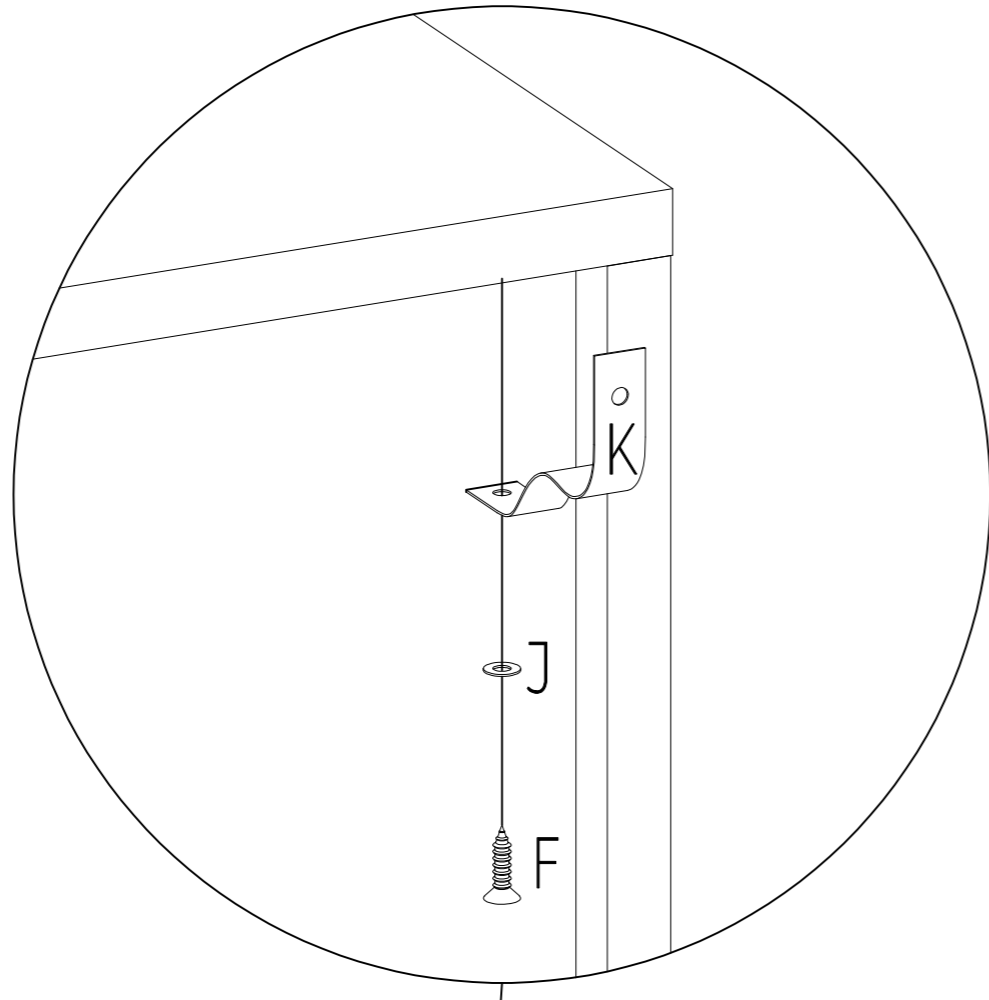
M x 6 PCS

R x 12 PCS

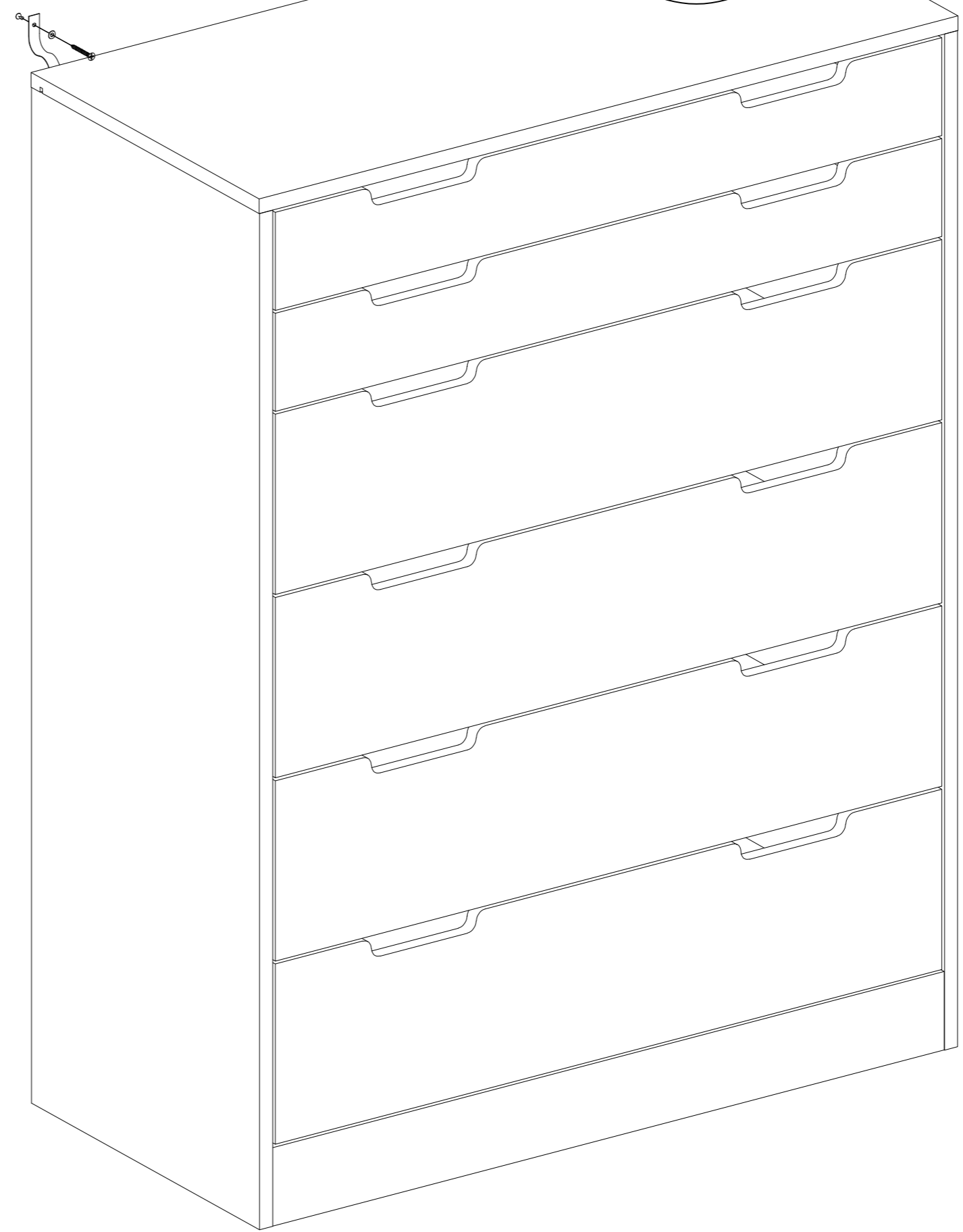
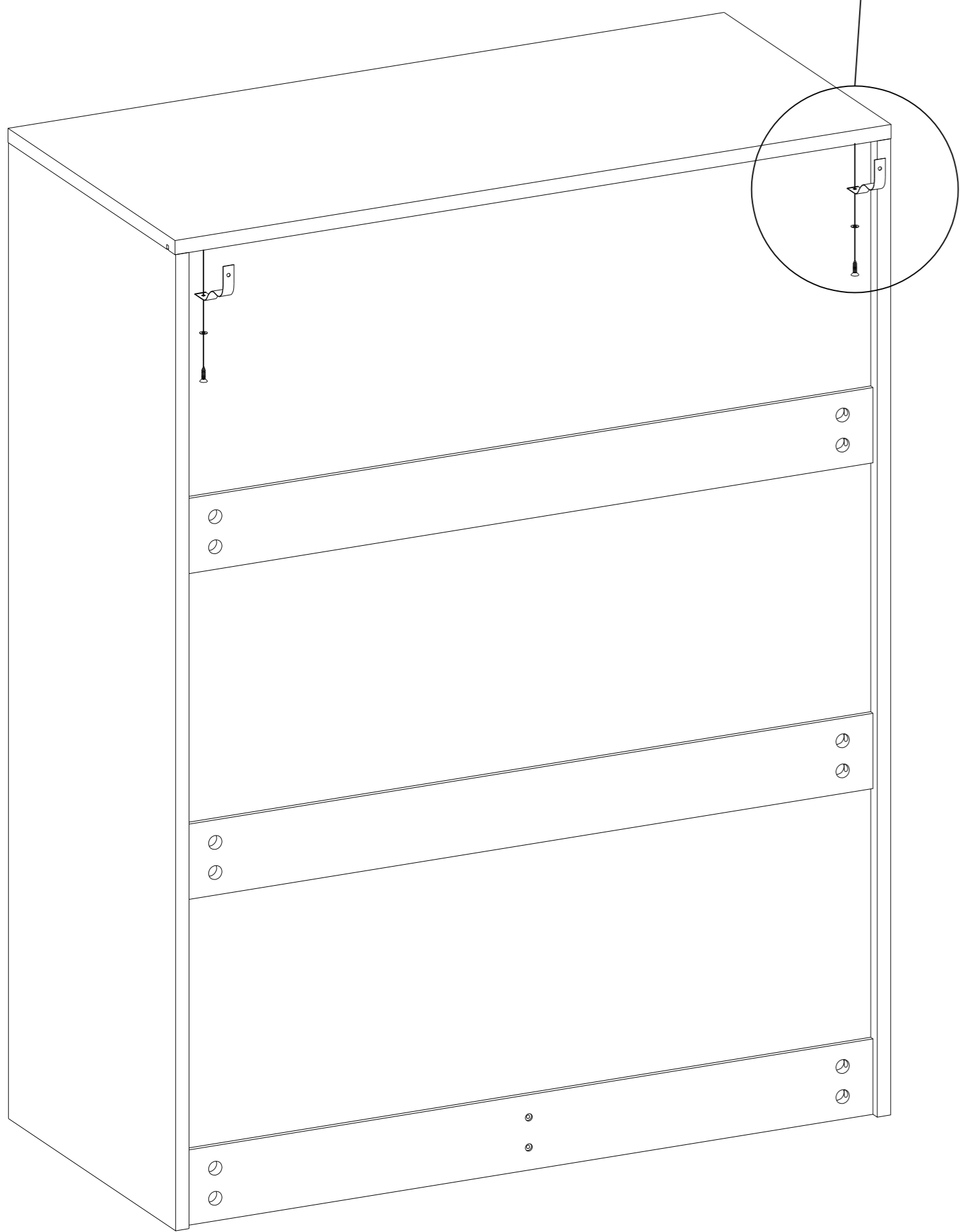
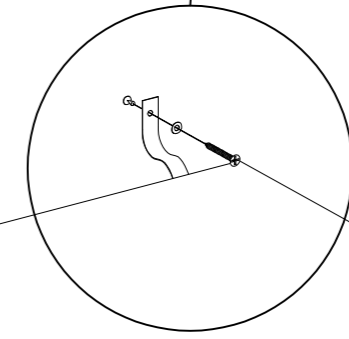
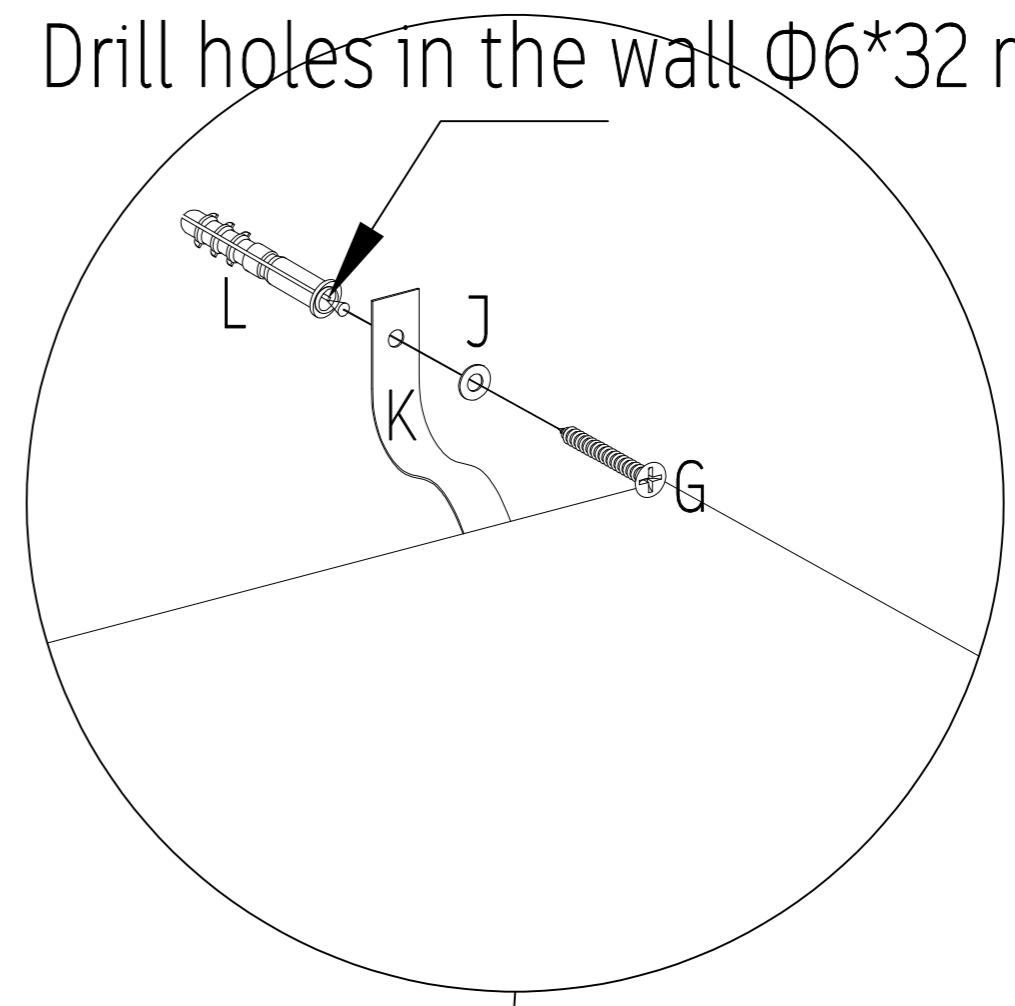


9

- F x 2 PCS
- G x 2 PCS
- J x 4 PCS
- K x 2 PCS
- L x 2 PCS

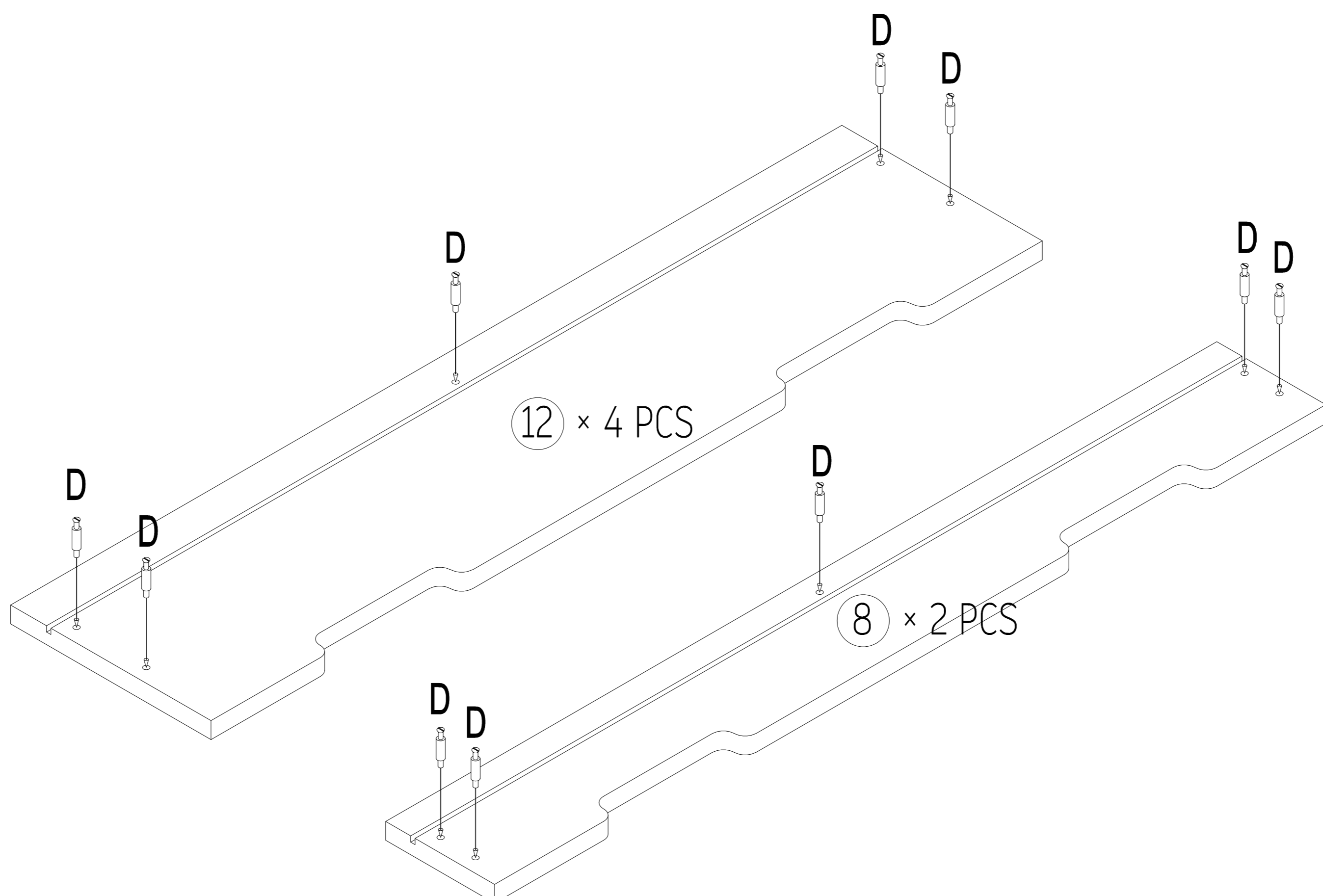


Drill holes in the wall $\Phi 6 \times 32$ mm

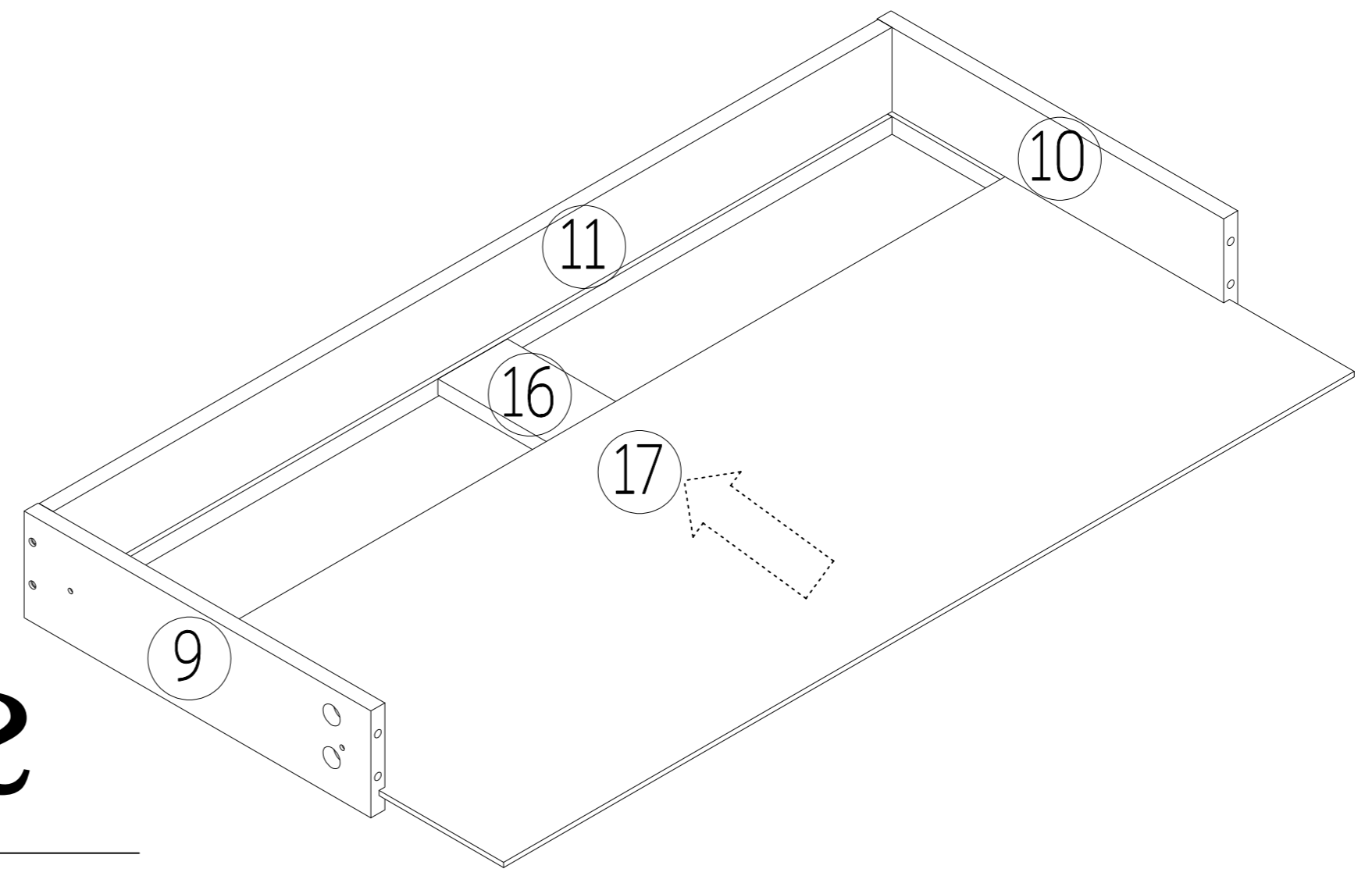
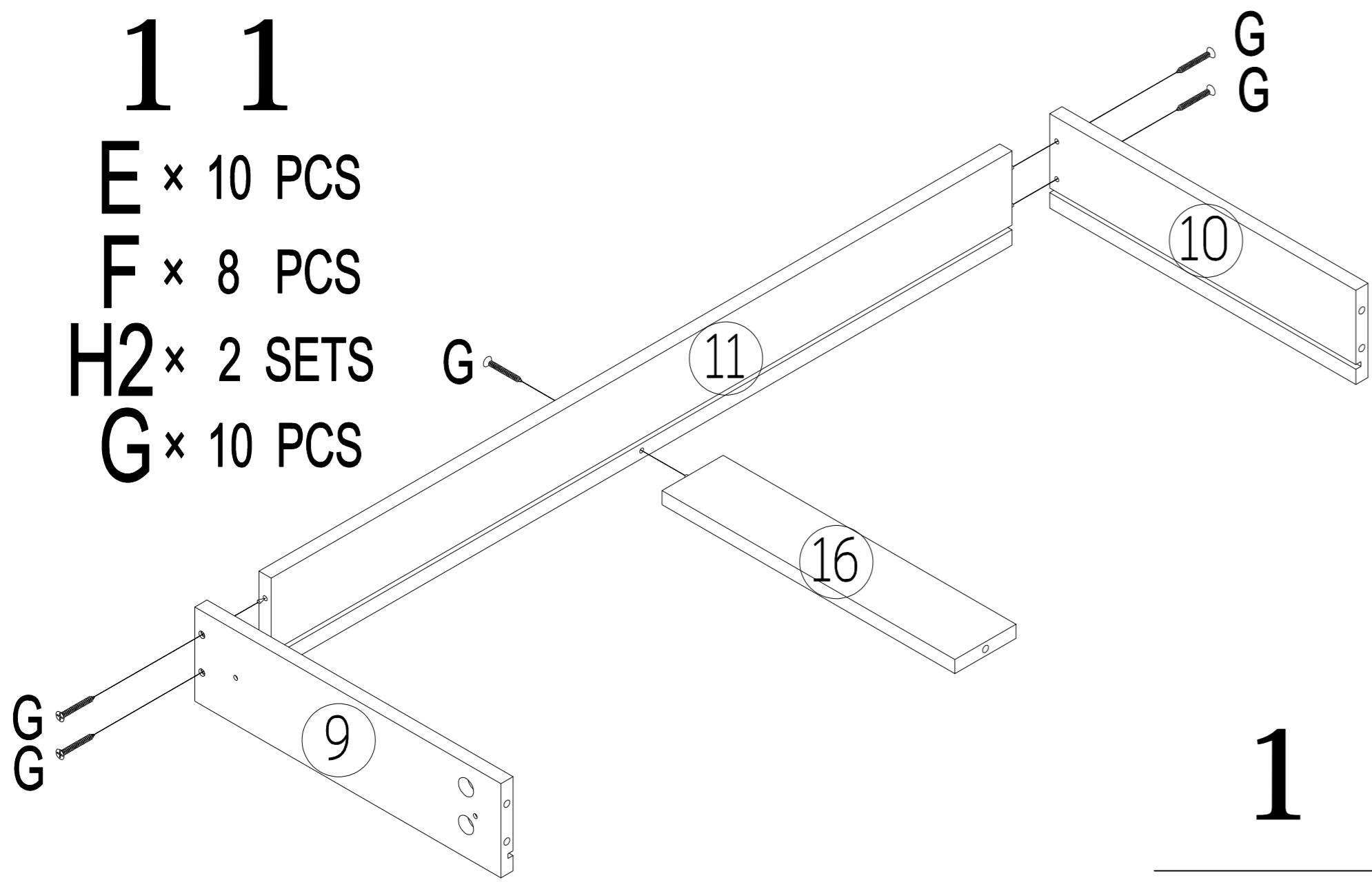


10

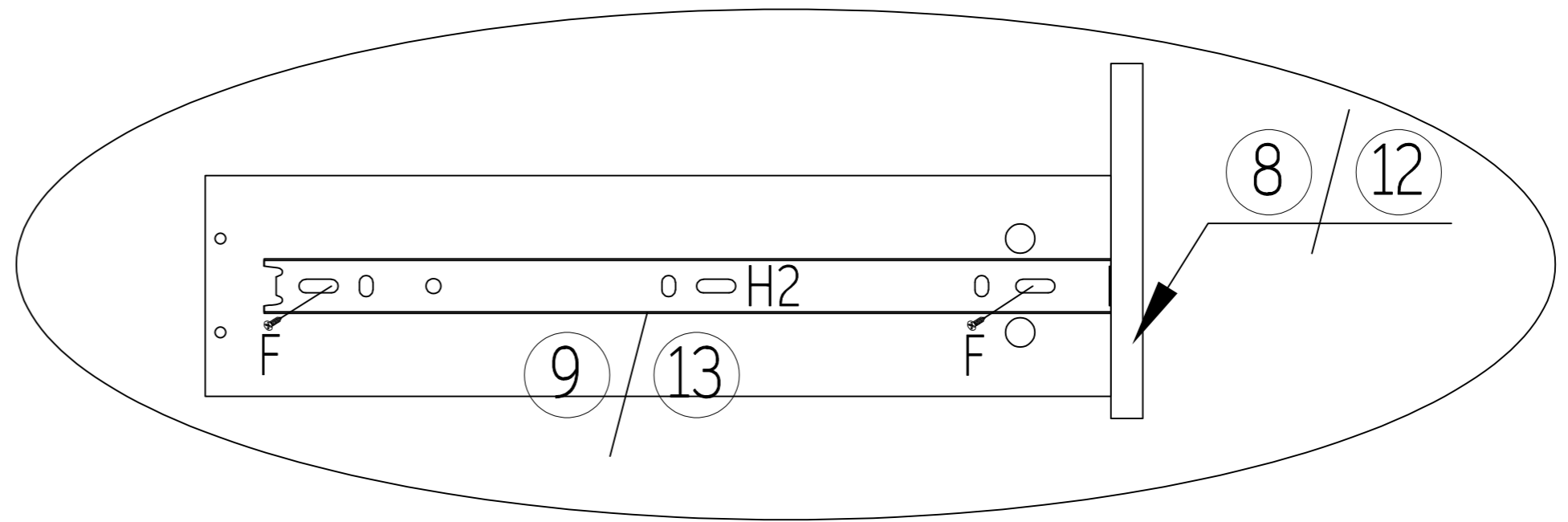
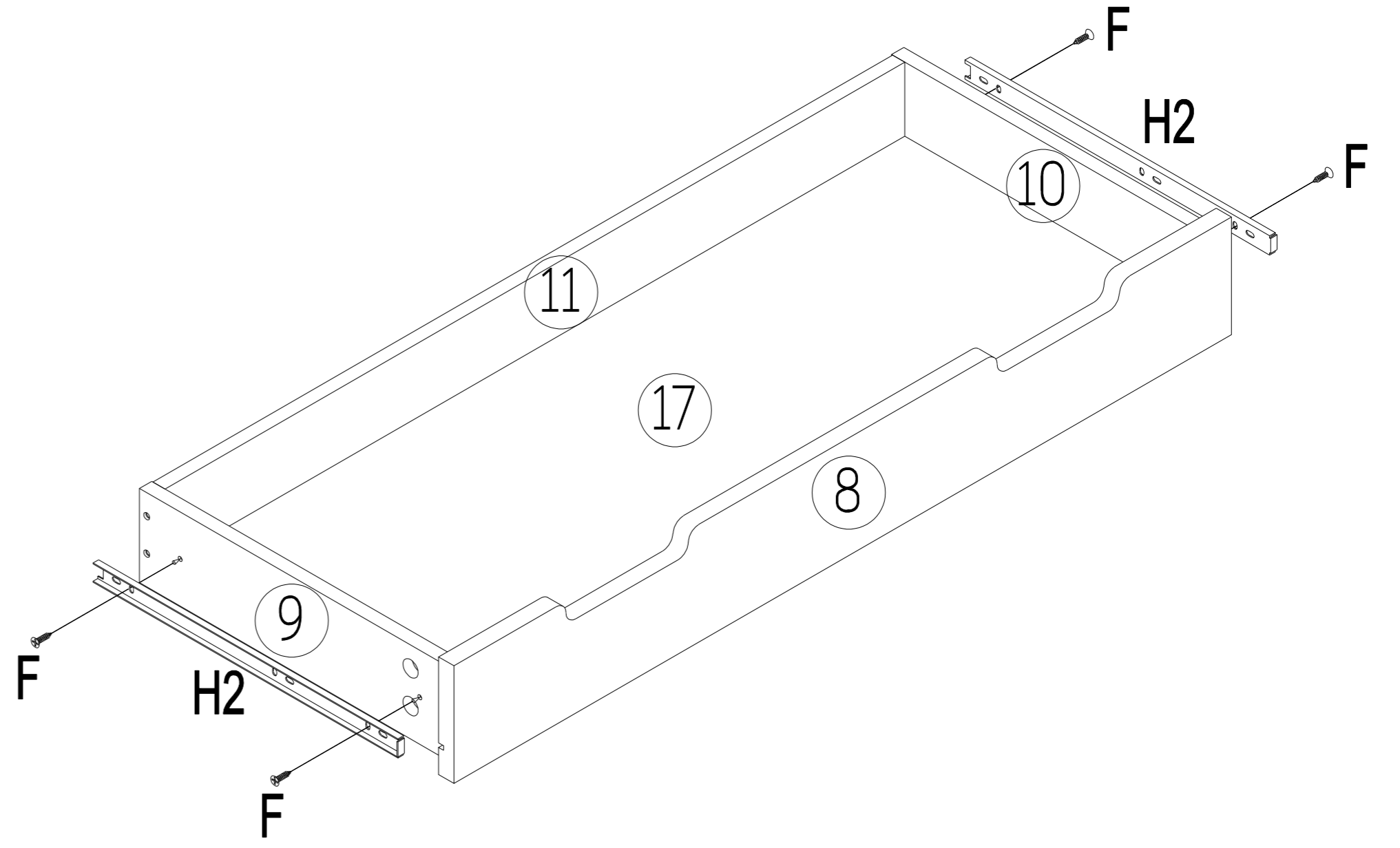
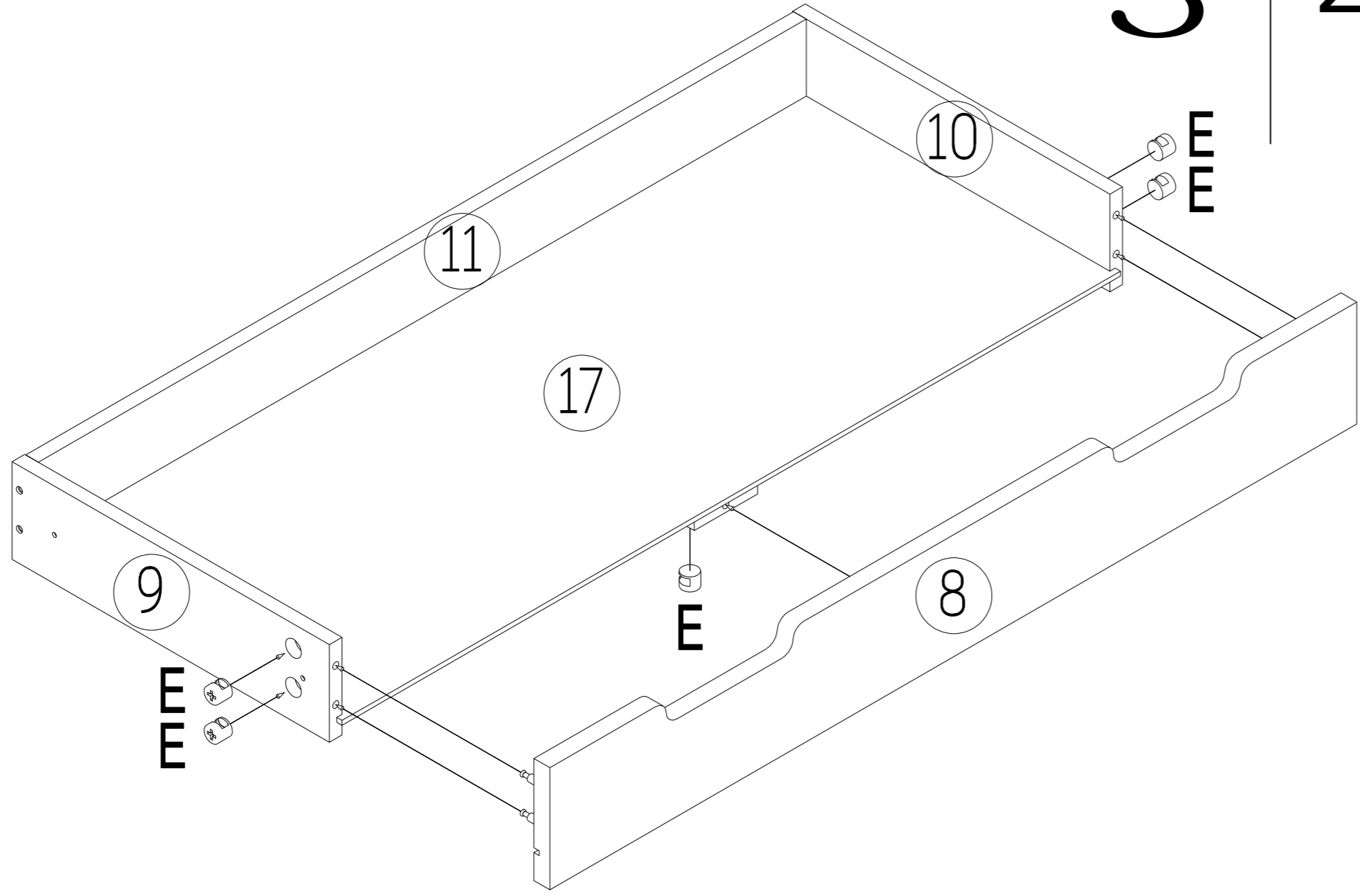
D x 30 PCS



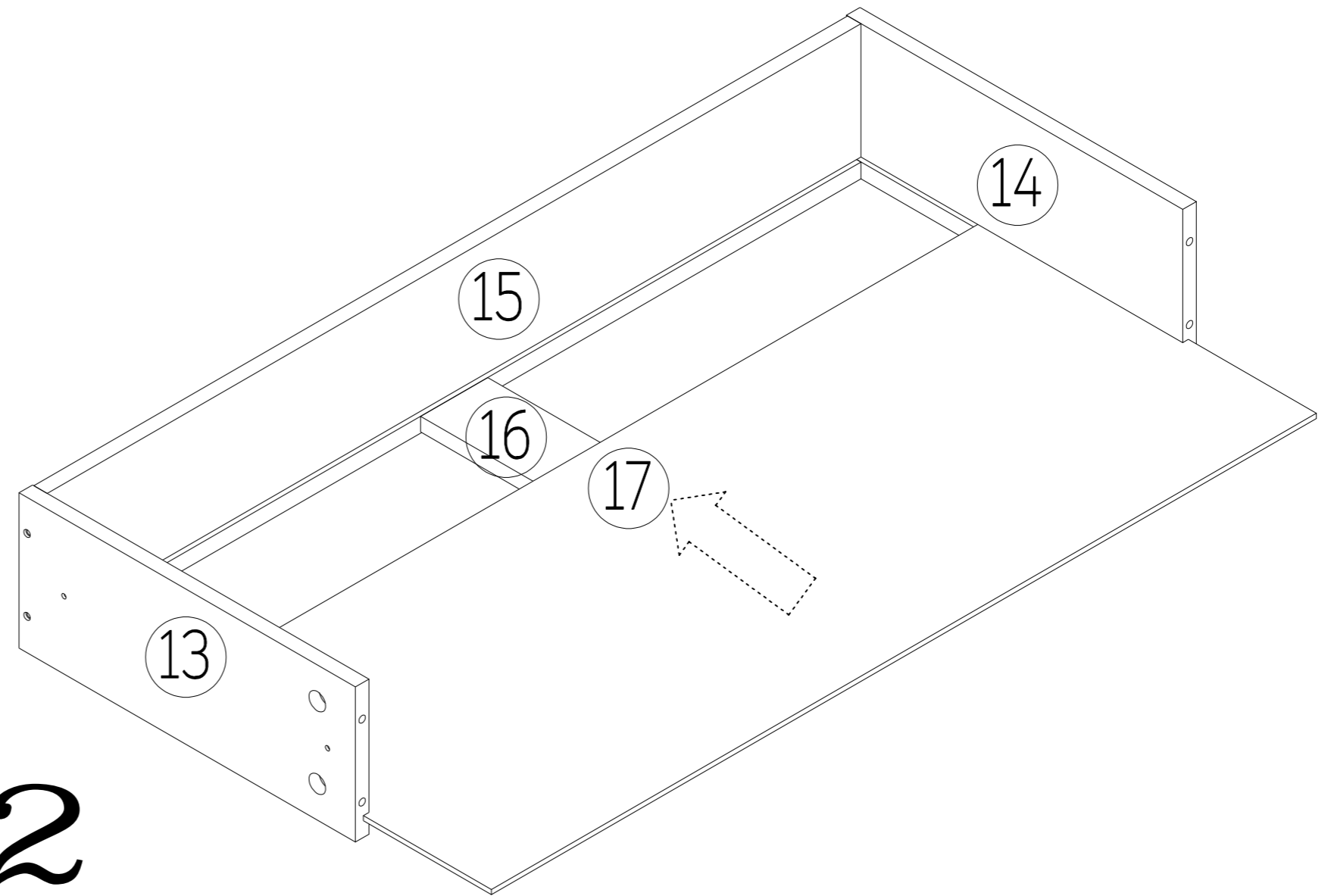
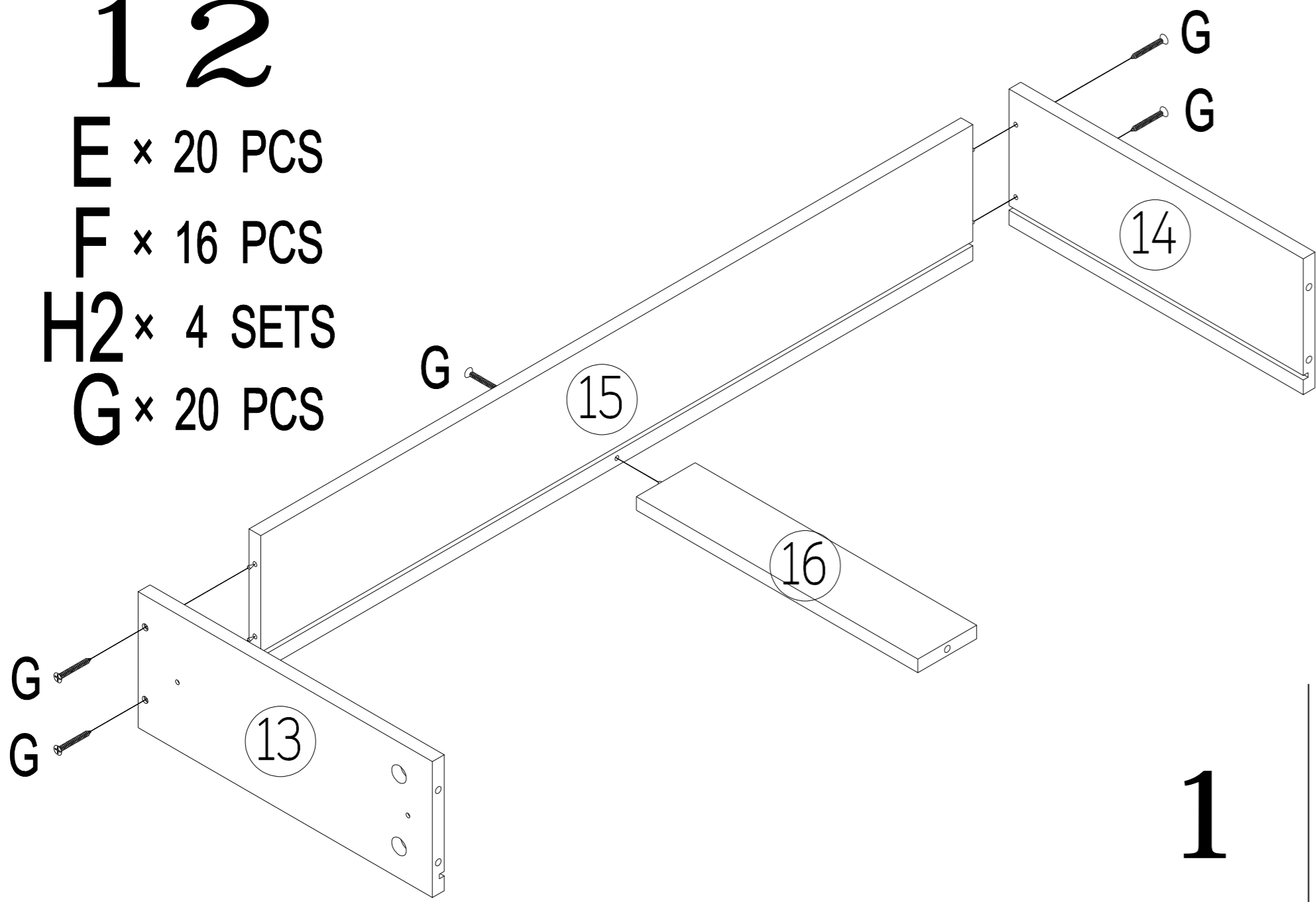
1 1
E × 10 PCS
F × 8 PCS
H2 × 2 SETS
G × 10 PCS



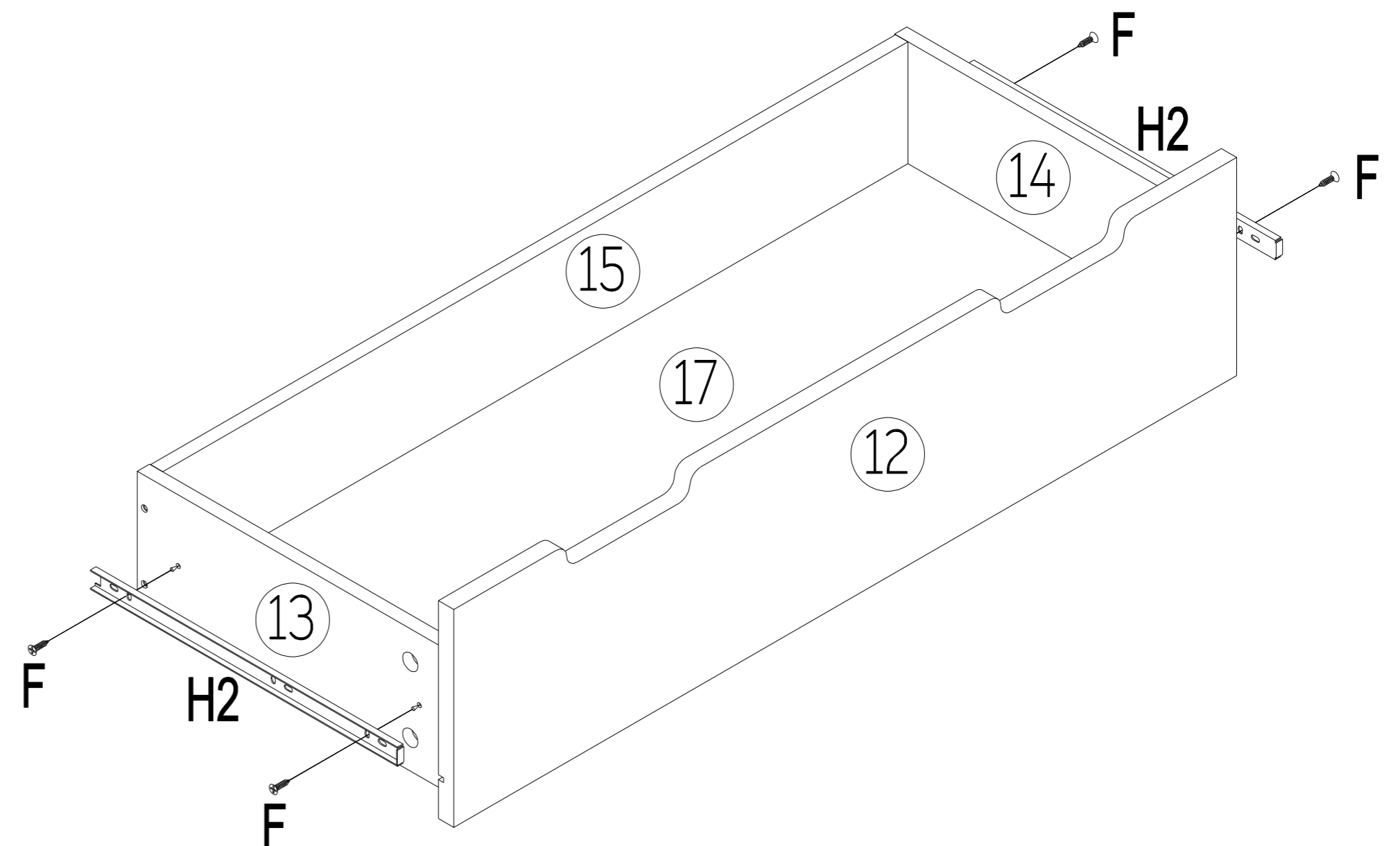
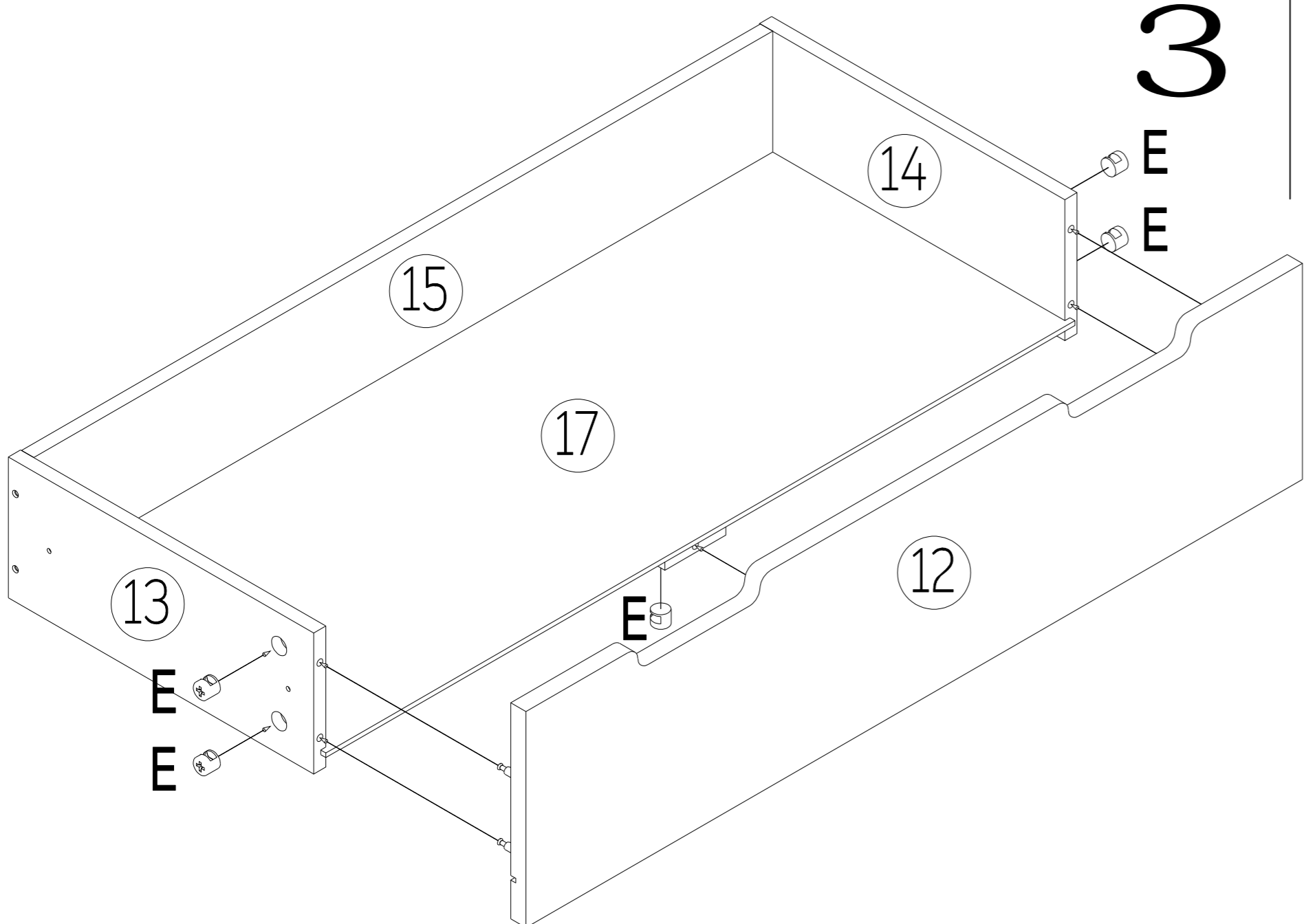
1 | **2**
3 | **4**



1 2
E × 20 PCS
F × 16 PCS
H2 × 4 SETS
G × 20 PCS

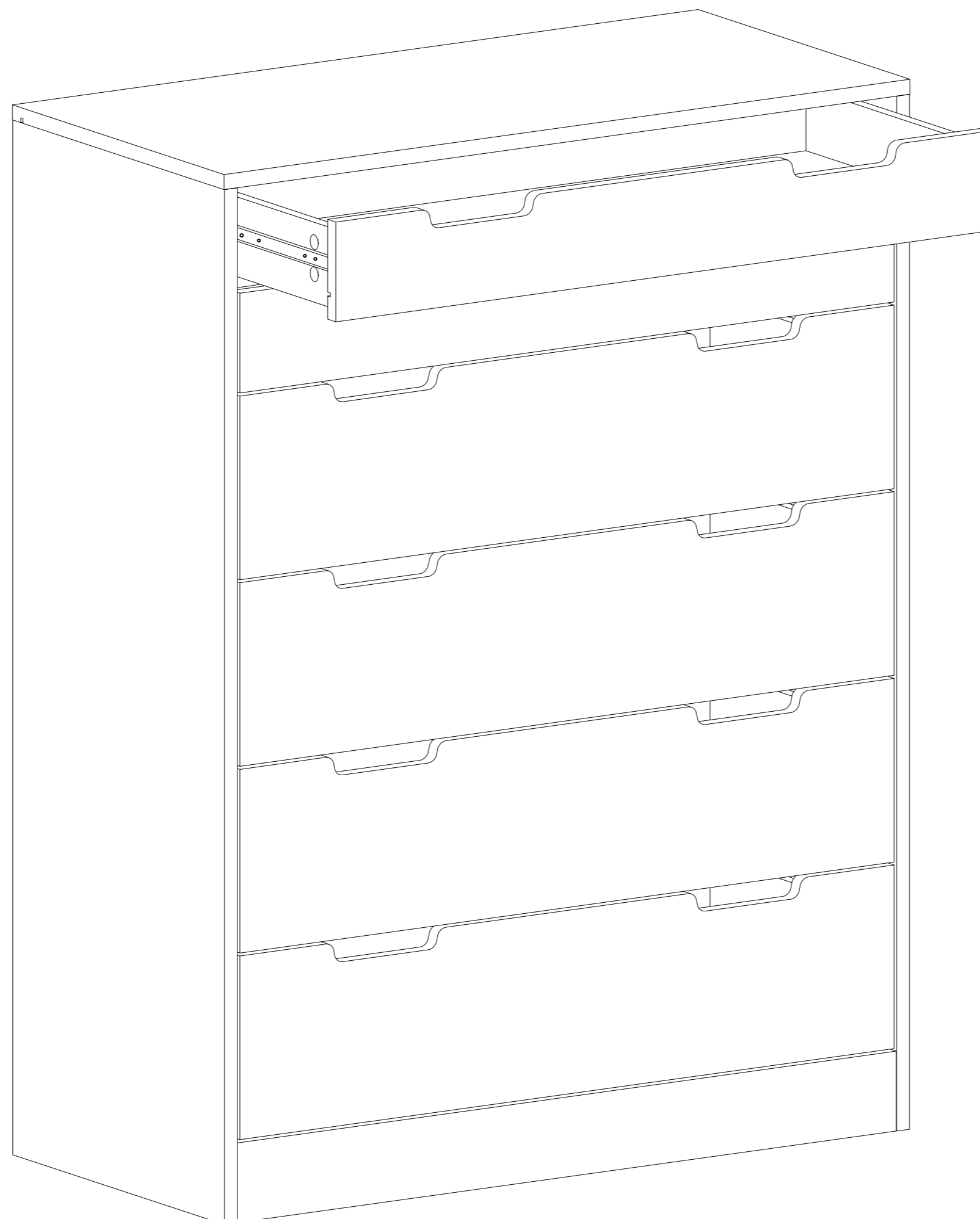
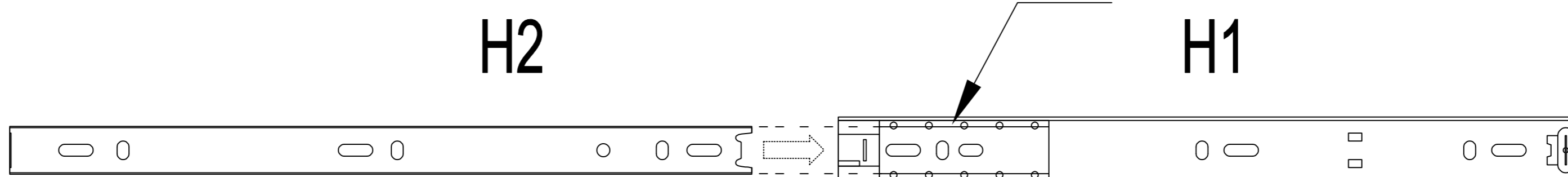


1 | **2**
3 | **4**



13

Before assembling the drawer, ensure that the pulley of the slide rail is located at the front end of the slide rail



14

 **WARNING**



Children have been killed by furniture tip-overs. To reduce the risk of such hazards, please observe the following:

- Always install an anti-tipping device and restraint provided.
- Never place a TV on top of this product.
- Never allow children to stand, climb or hang on drawers, doors or shelves.
- Never open more than one drawer at a time.
- Place the heaviest items on the lowest shelves or drawers.

