



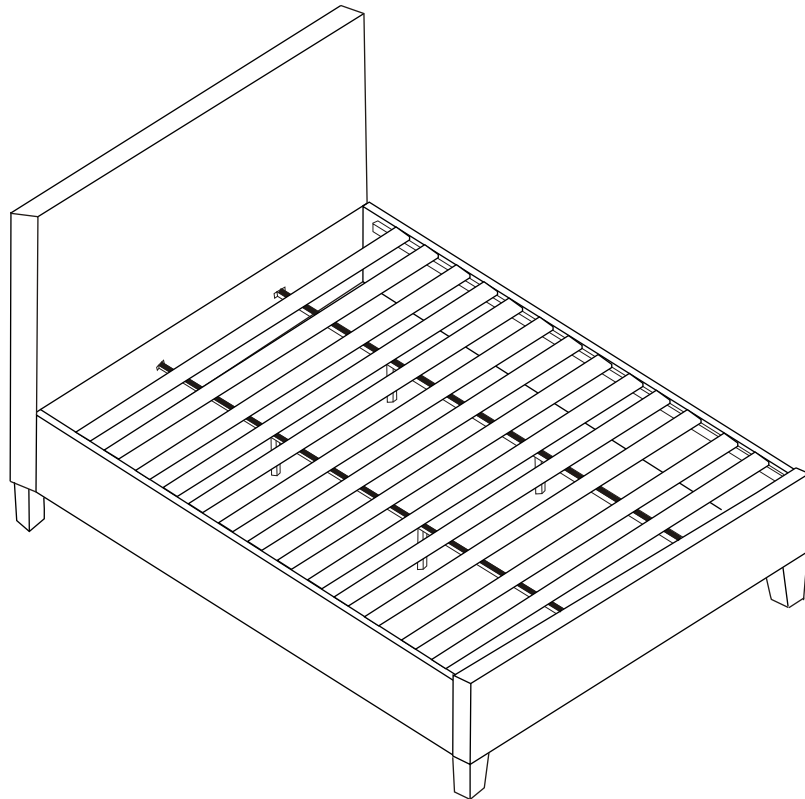
## ASSEMBLY DIAGRAM

### VANK BED

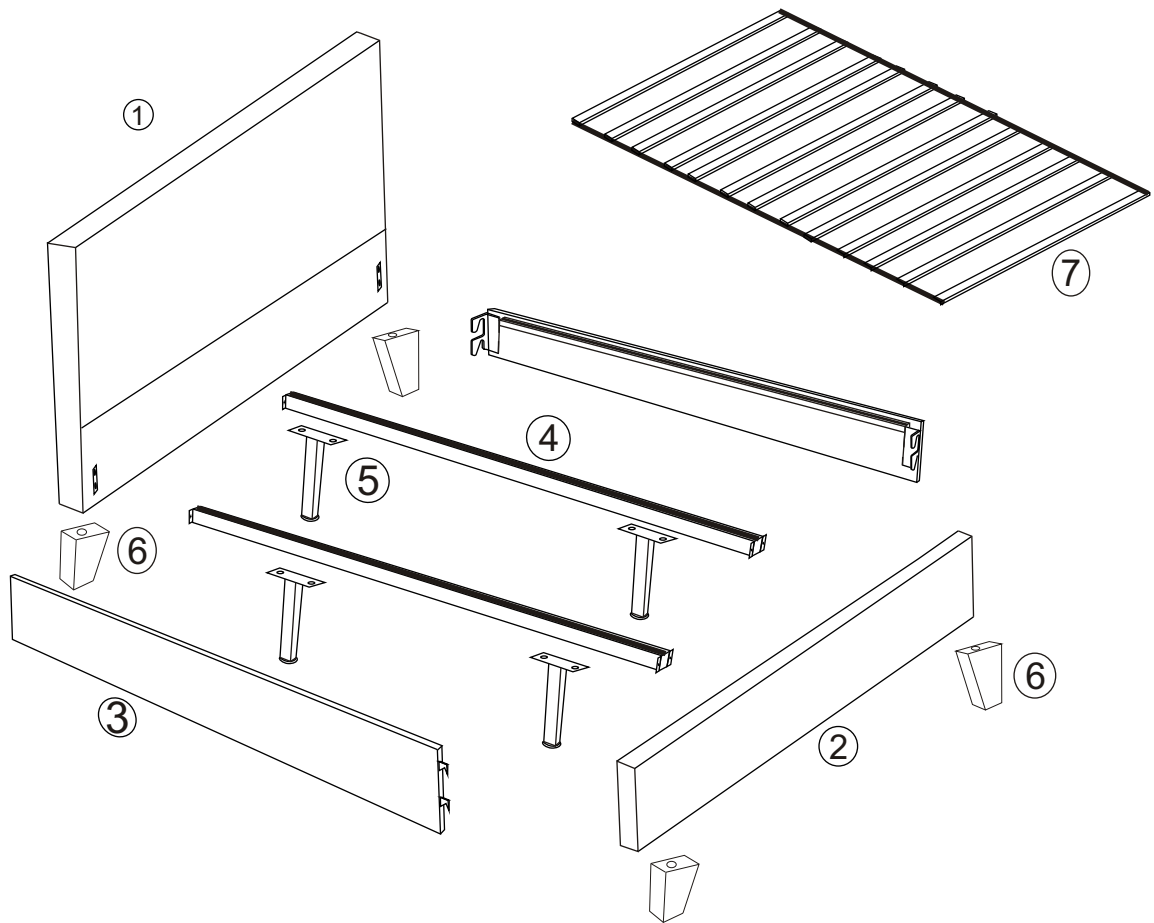
BF-B-VANK-K

**IMPORTANT NOTE:**





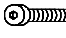

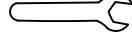

- \*PLACE ALL PARTS ON A CLEAN AND SMOOTH SURFACE SUCH AS A RUG OR CARPET TO AVOID THE PARTS FROM BEING SCRATCHED.
- \*KINDLY FOLLOW THE ASSEMBLY INSTRUCTIONS STEP BY STEP.
- \*DO NOT TIGHTEN ALL SCREWS UNTIL THE BED IS FULLY SET-UP.



# Parts



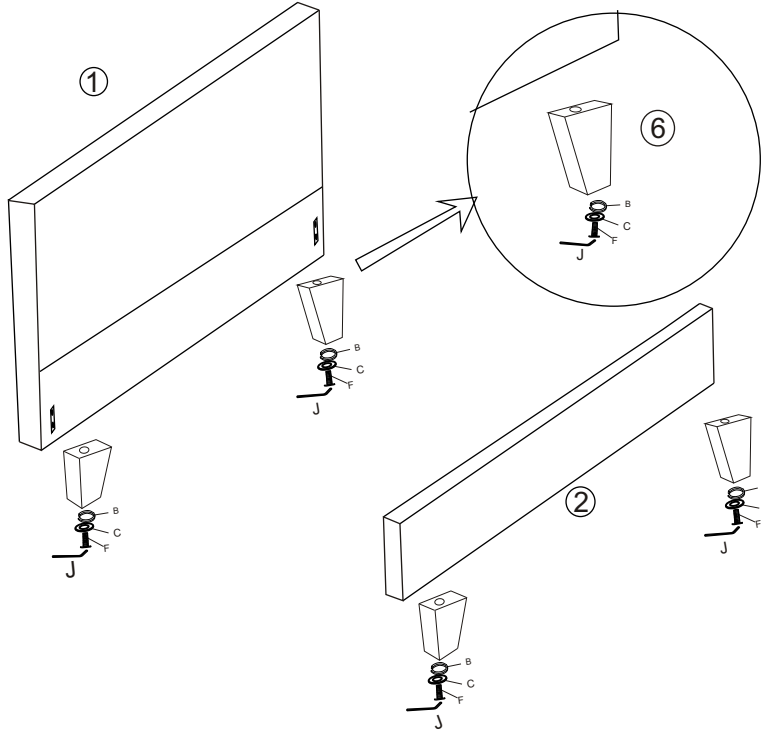
# Fittings

<b>(A)</b>  Bolts (M8x30mm) 16pcs	<b>(B)</b>  Spring Washer 12pcs	<b>(C)</b>  Flat Washer 12pcs	<b>(E)</b>  Bolts (M8x40mm) 8pcs	<b>(F)</b>  Bolts (M8x100mm) 4pcs
<b>(H)</b>  Nuts 8pcs	<b>(I)</b>  Spanner 1pc	<b>(J)</b>  M6 Allen Key 1pc		

Please refer to the instruction words before installing it.

# Step 1

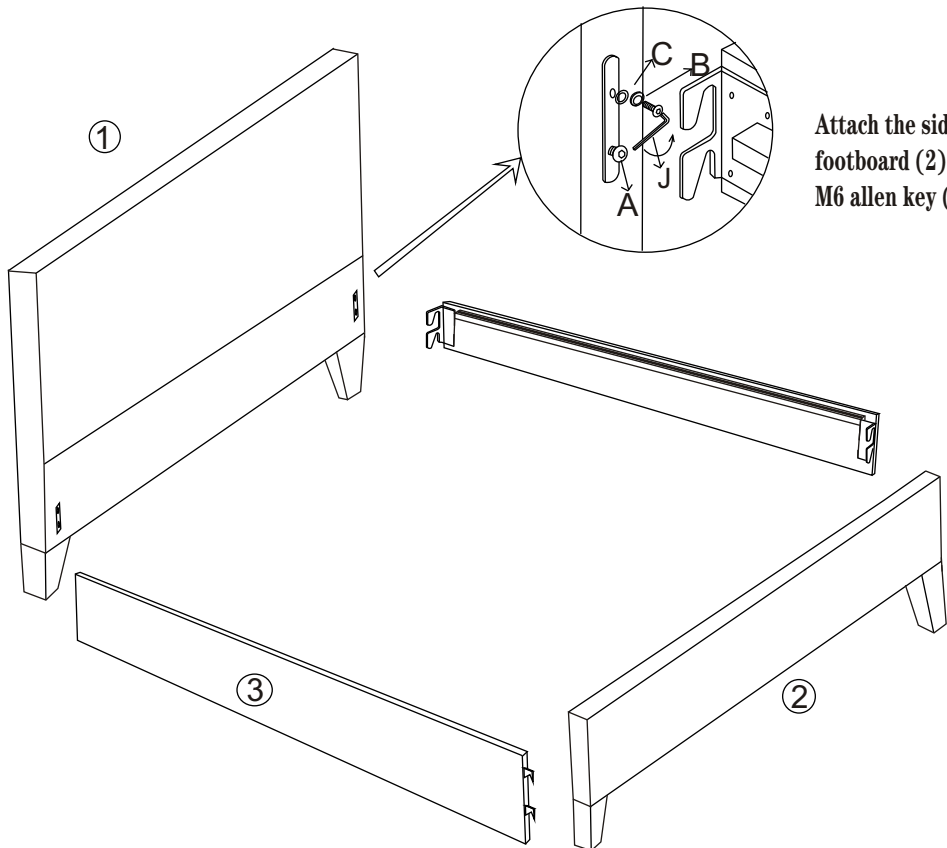
<p><b>F</b> Bolts (M8x100mm) 4pcs</p>	<p><b>J</b> M6 Allen Key 1pc</p>	<p><b>B</b> Spring Washer 4pcs</p>	<p><b>C</b> Flat Washer 4pcs</p>
---------------------------------------	----------------------------------	------------------------------------	----------------------------------



Attach the legs (6) to the headboard (1) and footboard (2) using hardware parts F,B,C and "M6 allen key (J) .

# Step 2

<p><b>A</b> Bolts (M8x30mm) 8 pcs</p>	<p><b>B</b> Spring Washer 8pcs</p>	<p><b>C</b> Flat Washer 8pcs</p>	<p><b>J</b> M6 Allen Key 1pc</p>
---------------------------------------	------------------------------------	----------------------------------	----------------------------------

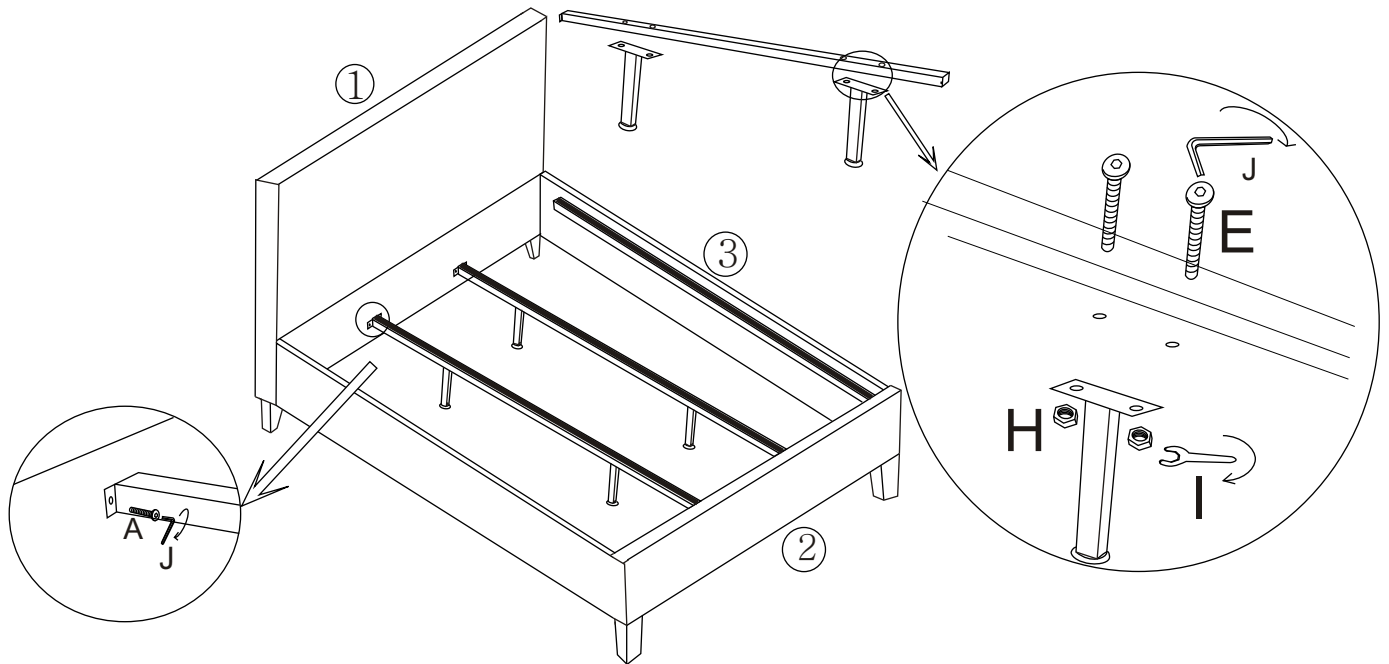


Attach the side rails(3)to the headboard (1) and footboard (2) using hardware parts A. B. C and M6 allen key (J) .

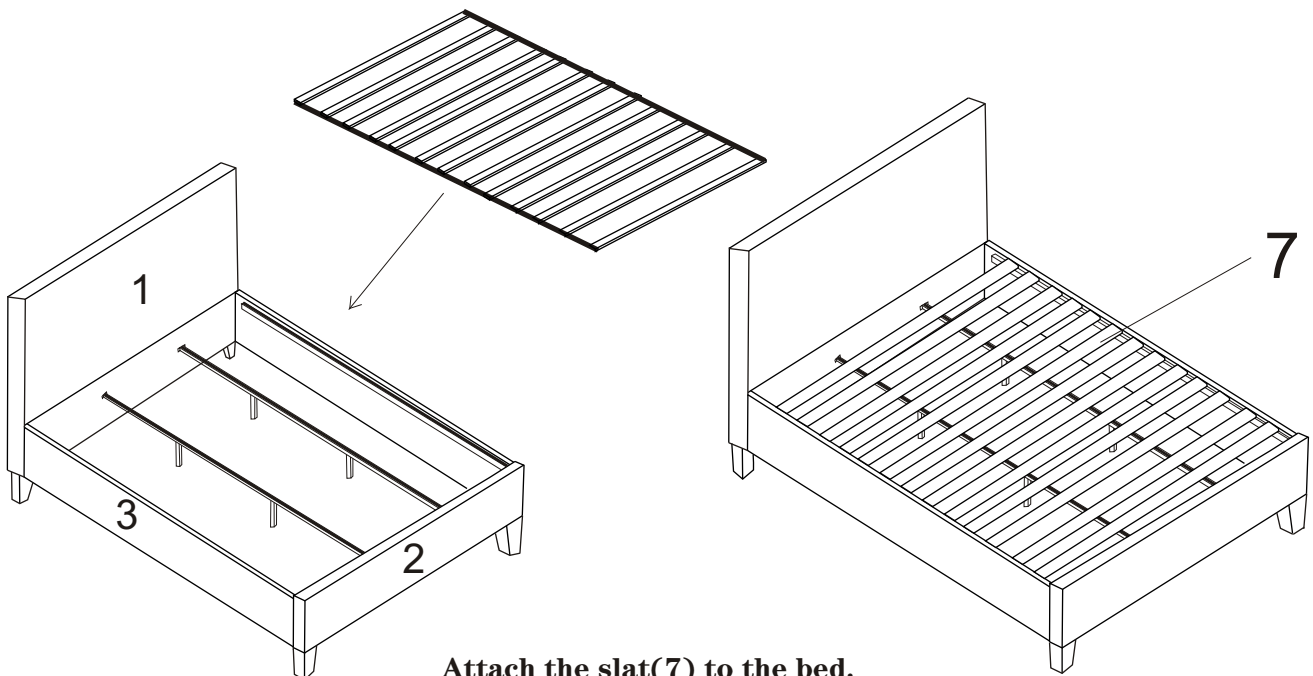
# Step 3

<b>A</b> Bolts (M8x30mm) 8 pcs	<b>E</b> Bolts (M8x40mm) 8 pcs	<b>H</b> Nuts 8 pcs	<b>I</b> Spanner 1pc	<b>J</b> M6 Allen Key 1pc
-----------------------------------	-----------------------------------	------------------------	-------------------------	------------------------------

Attach the centre support bar(4) to the headboard (1) and footboard (2) using hardware parts A, J.  
"Attach the support legs(5) to the centre support bar(4) using hardware parts E,H, J and F.



# Step 4



Attach the slat(7) to the bed.