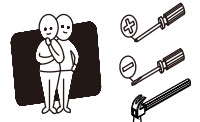


ASSEMBLY INSTRUCTIONS

Please read instructions carefully before assembly.



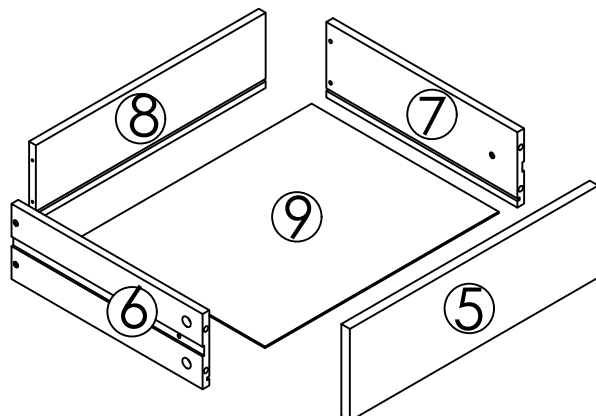
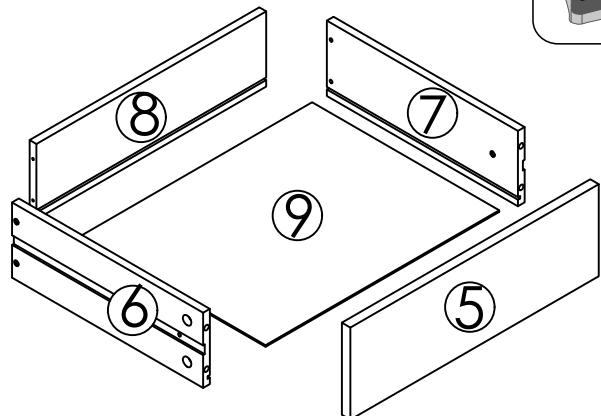
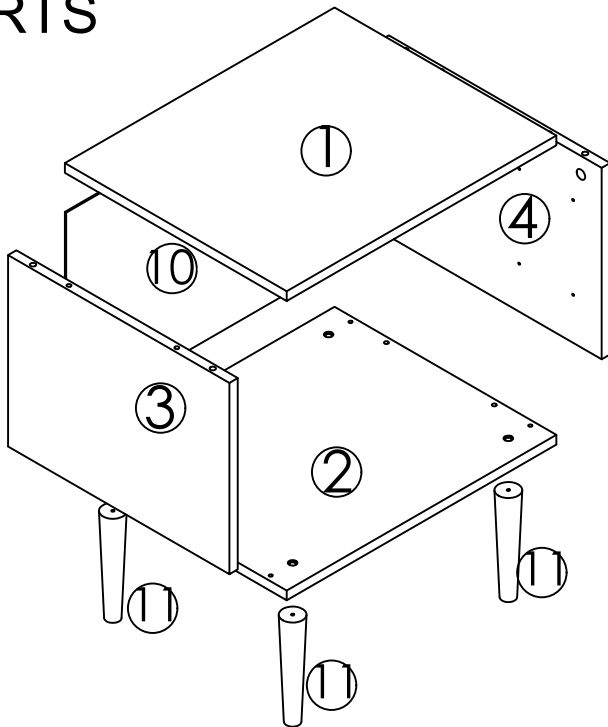
Two persons and tools required for assembly

HARDWARE

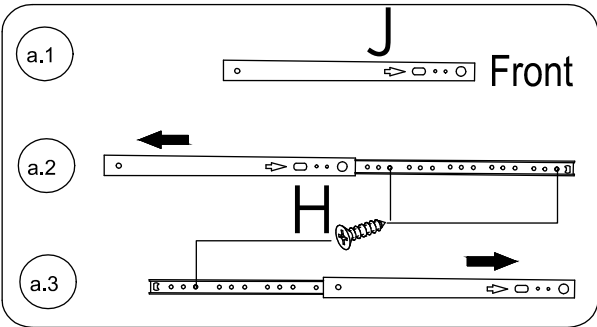
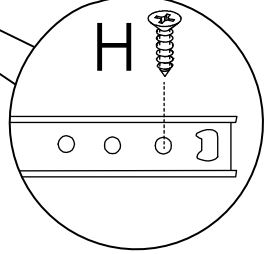
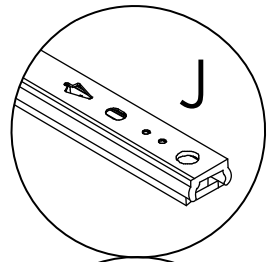
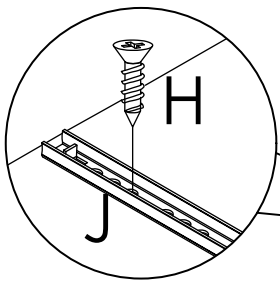
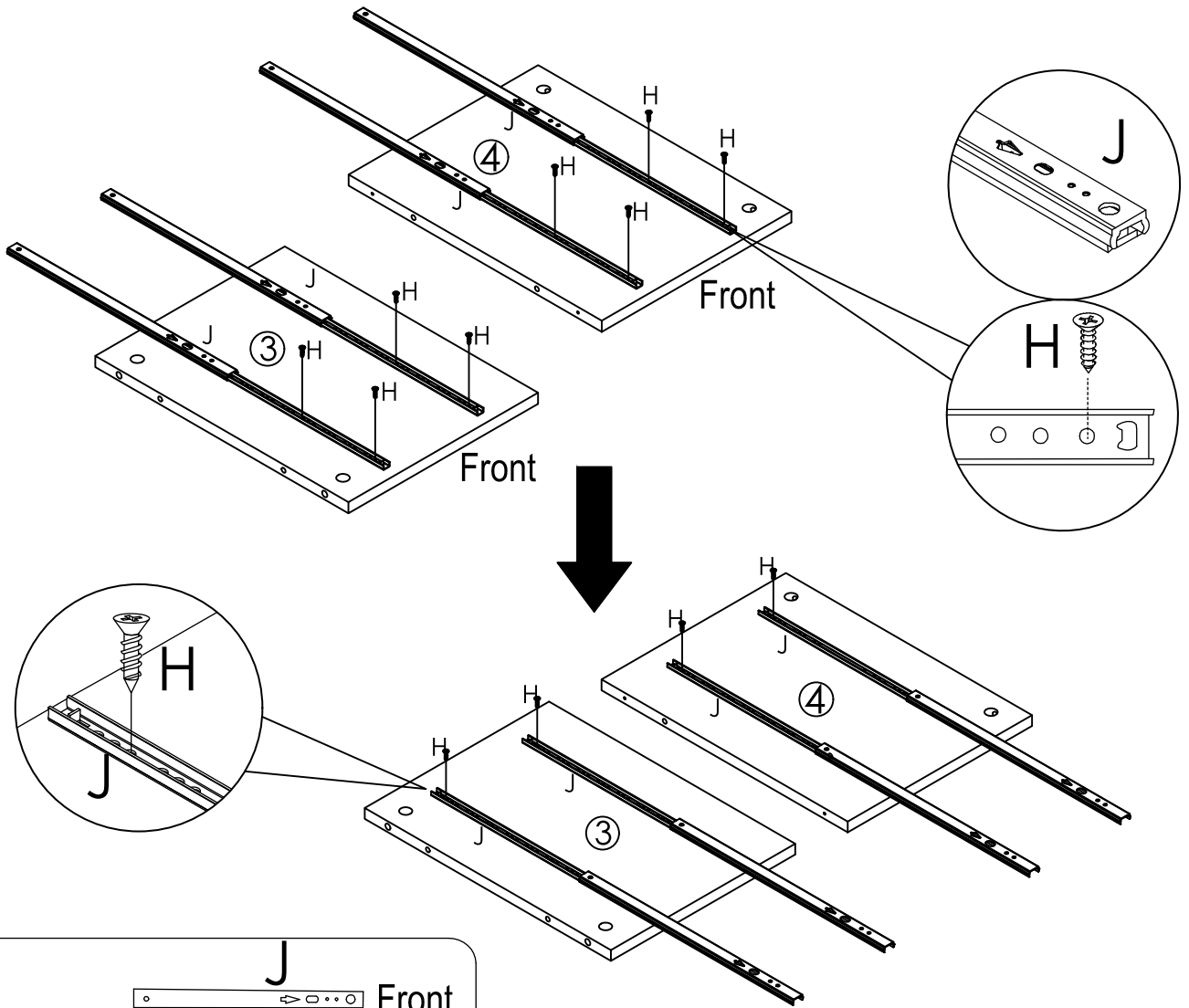
A	x12	B	x4	C	x8	D	x12	E	x4	F	x2	G	x12	H	x16
7*35mm		15*12mm		Ø6*30mm		M4*40mm		M5*50mm						M3*12mm	
J	x4	K	x4	L	x4	M	x8	N	x1	O	x1	P	x1	Q	x1
		M4*10mm				12*10mm				M4*30mm				M4*14mm	

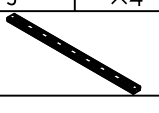

PARTS

Wipe with dry cloths

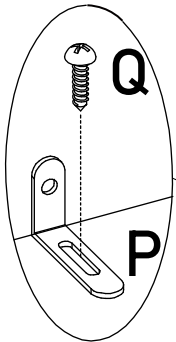
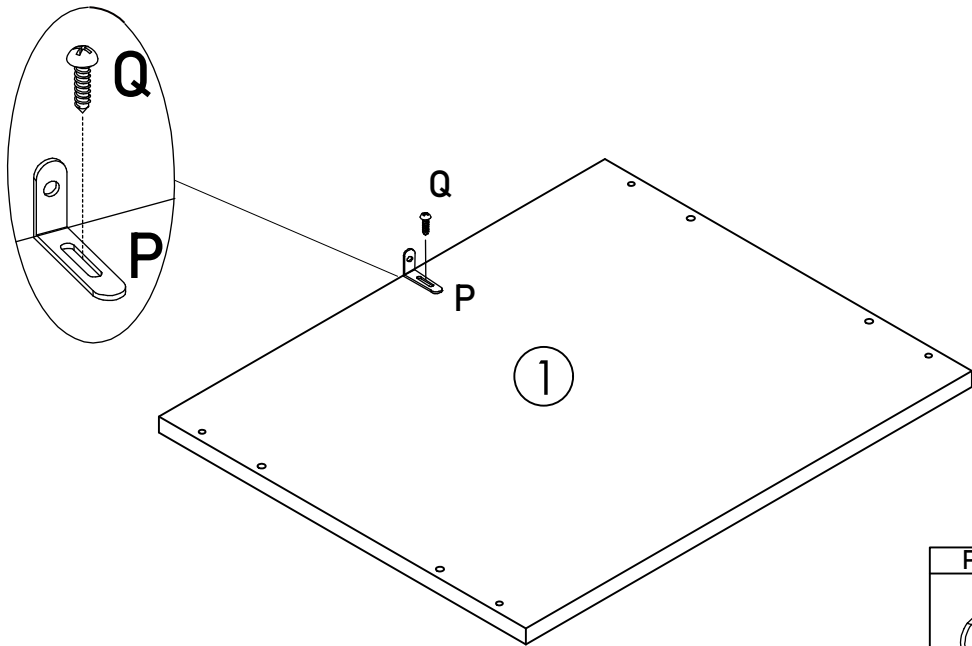


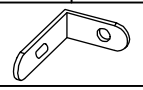

1



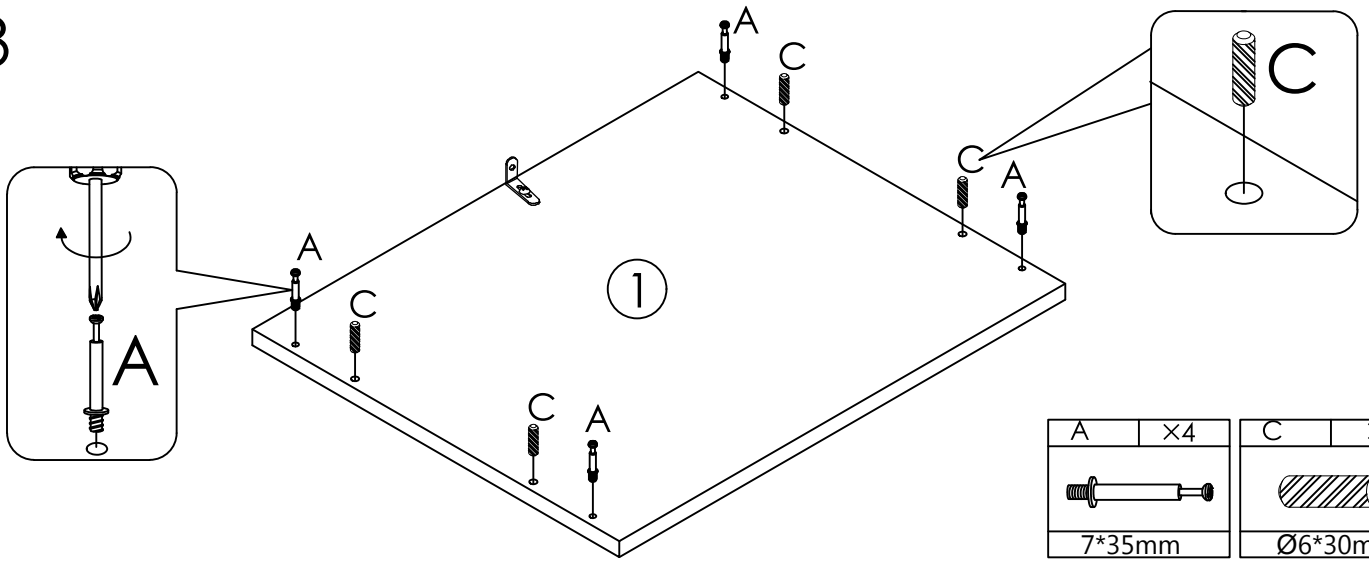
J	×4	H	×12
			
		M3*12mm	

2

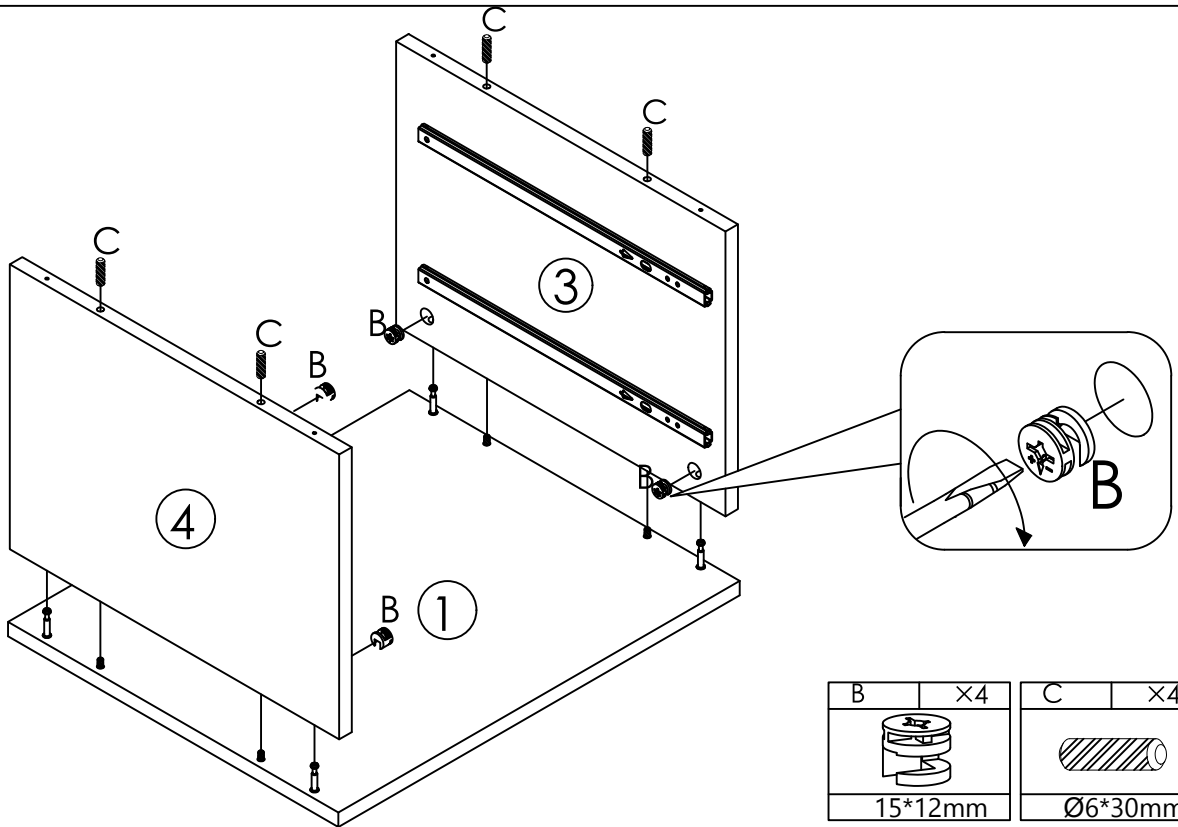


P	×1	Q	×1
			
		M4*14mm	

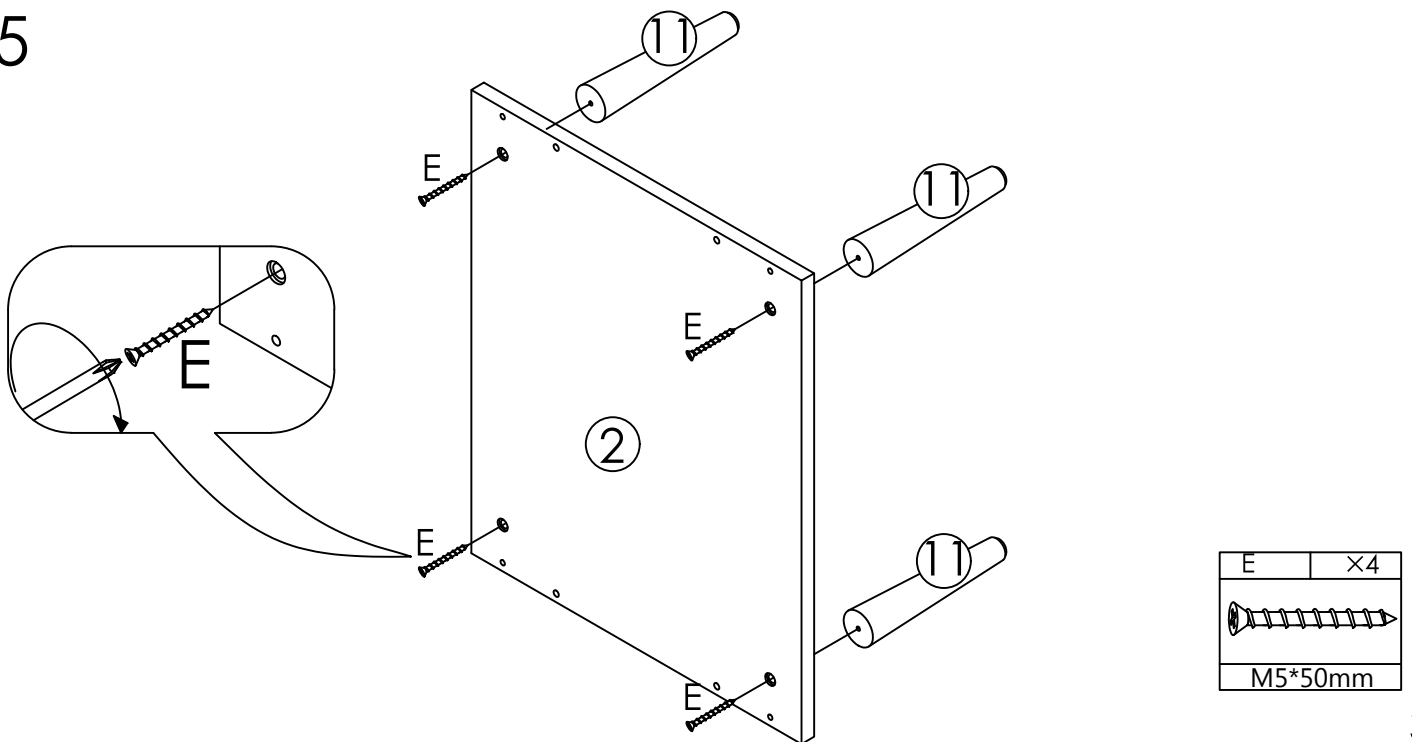
3



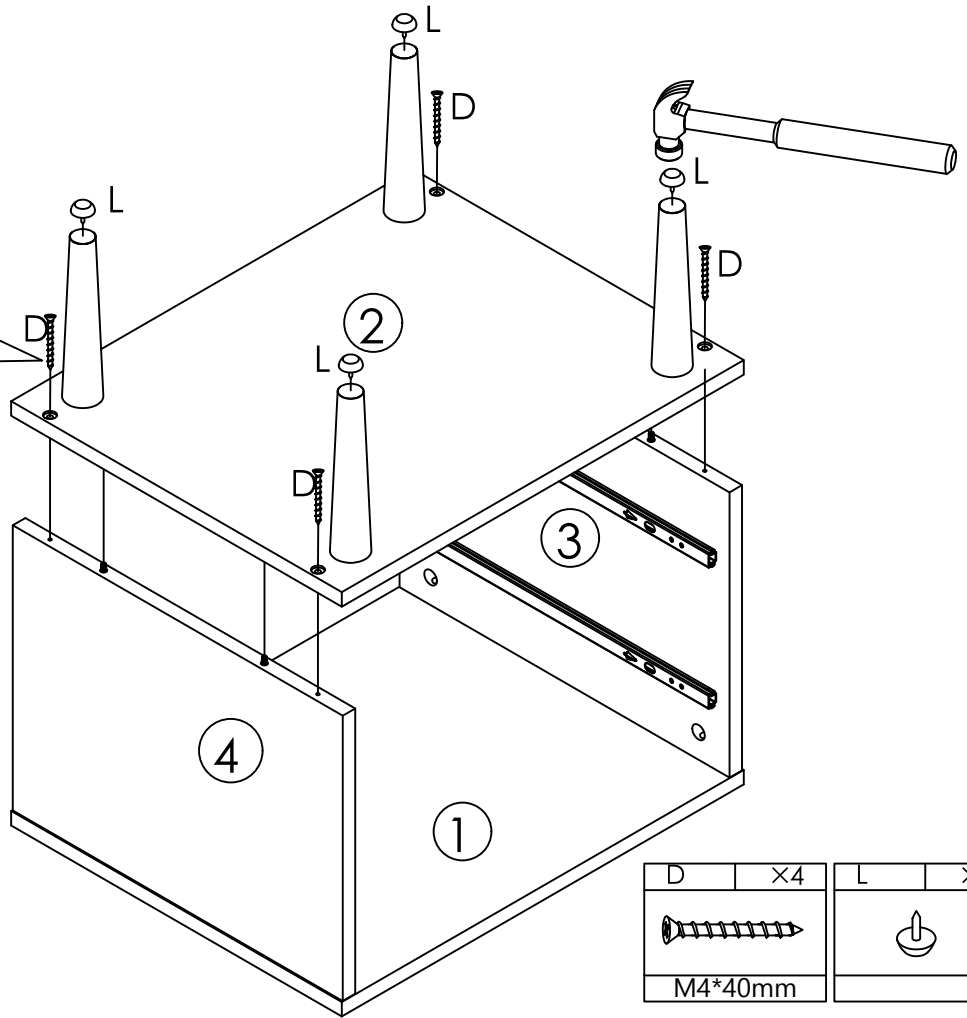
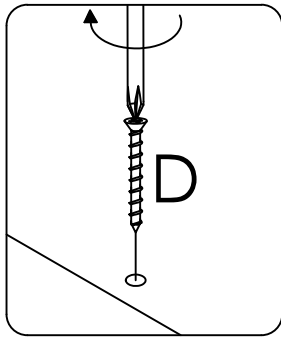
4

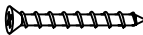



5

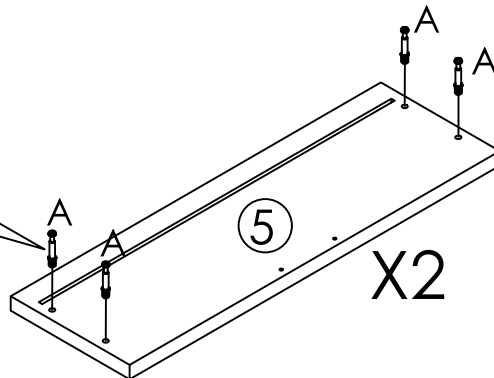
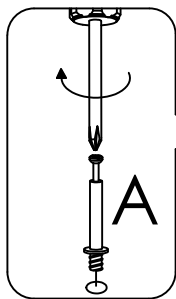


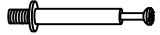
6



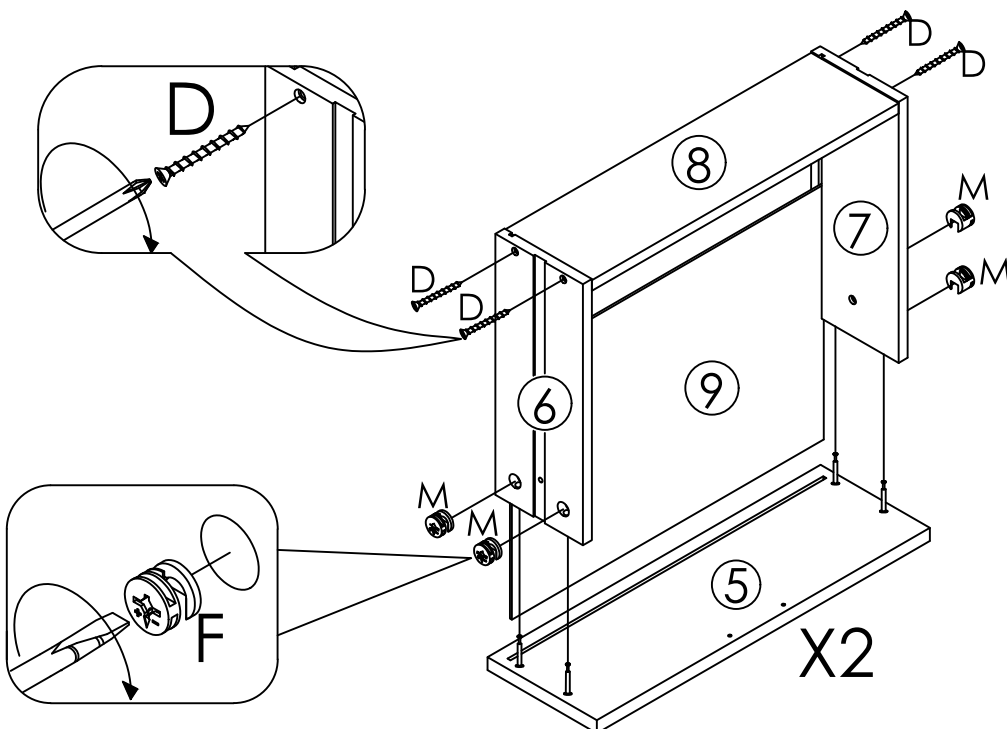
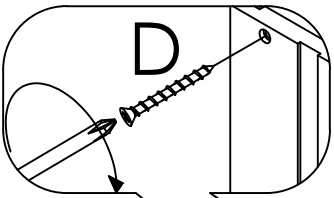
D	x4	L	x4
			
M4*40mm			


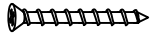
7



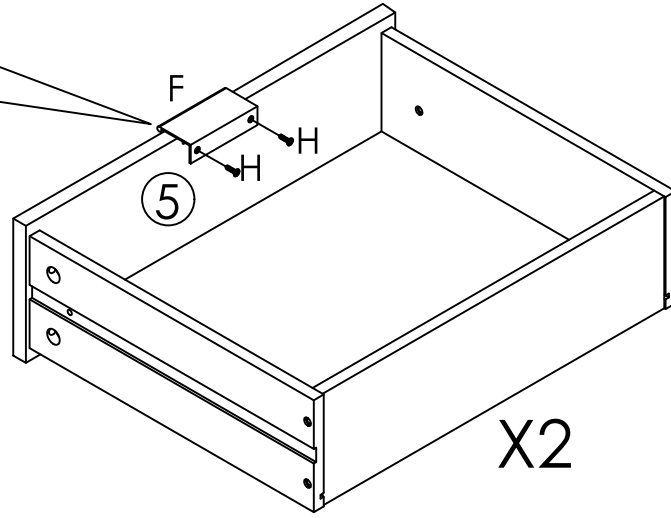
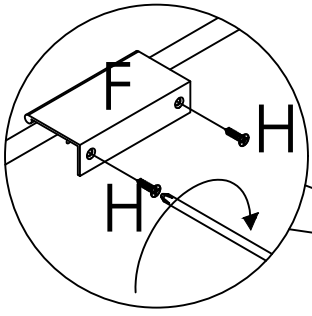
A	x8
	
7*35mm	

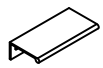

8



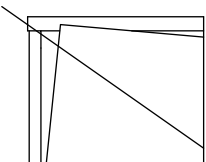
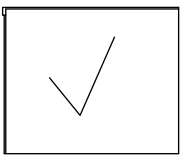
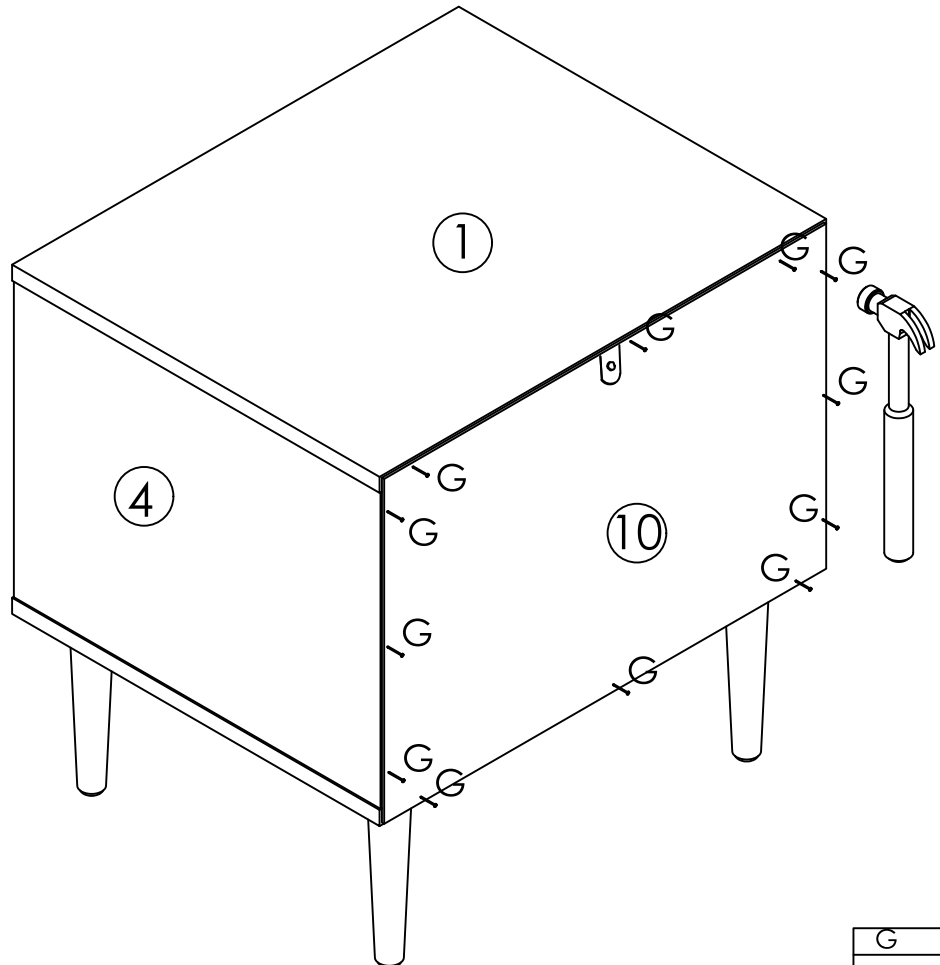
M	x8	D	x8
			
12*10mm		M4*40mm	

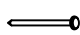
9



F	x2	H	x4
			
		M3*12mm	

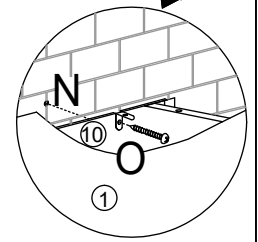
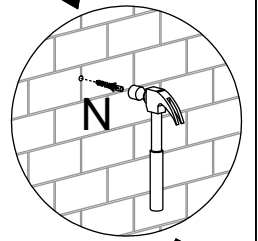
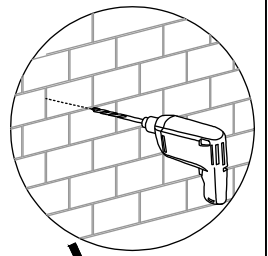
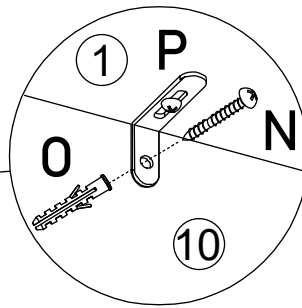
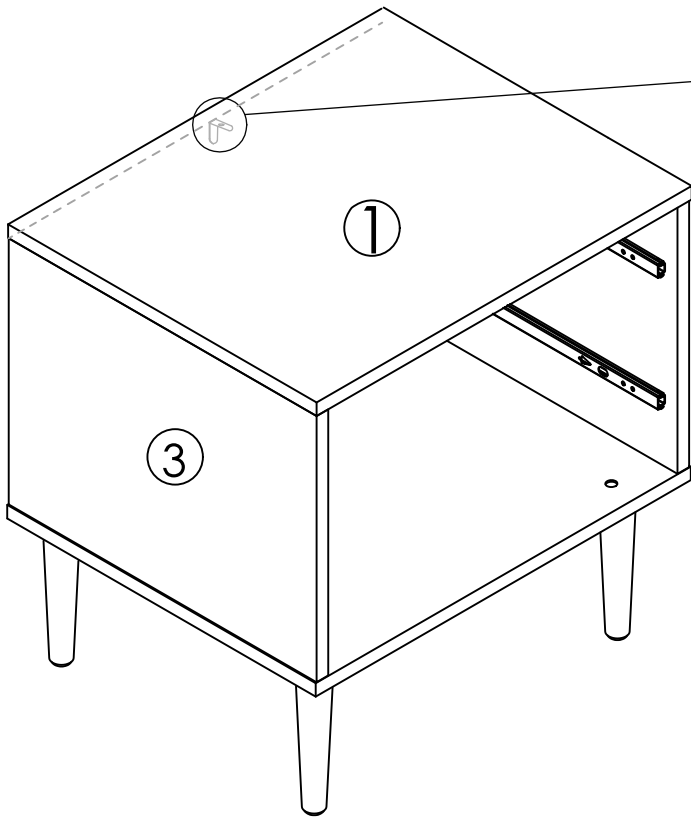
10



G	x12
	

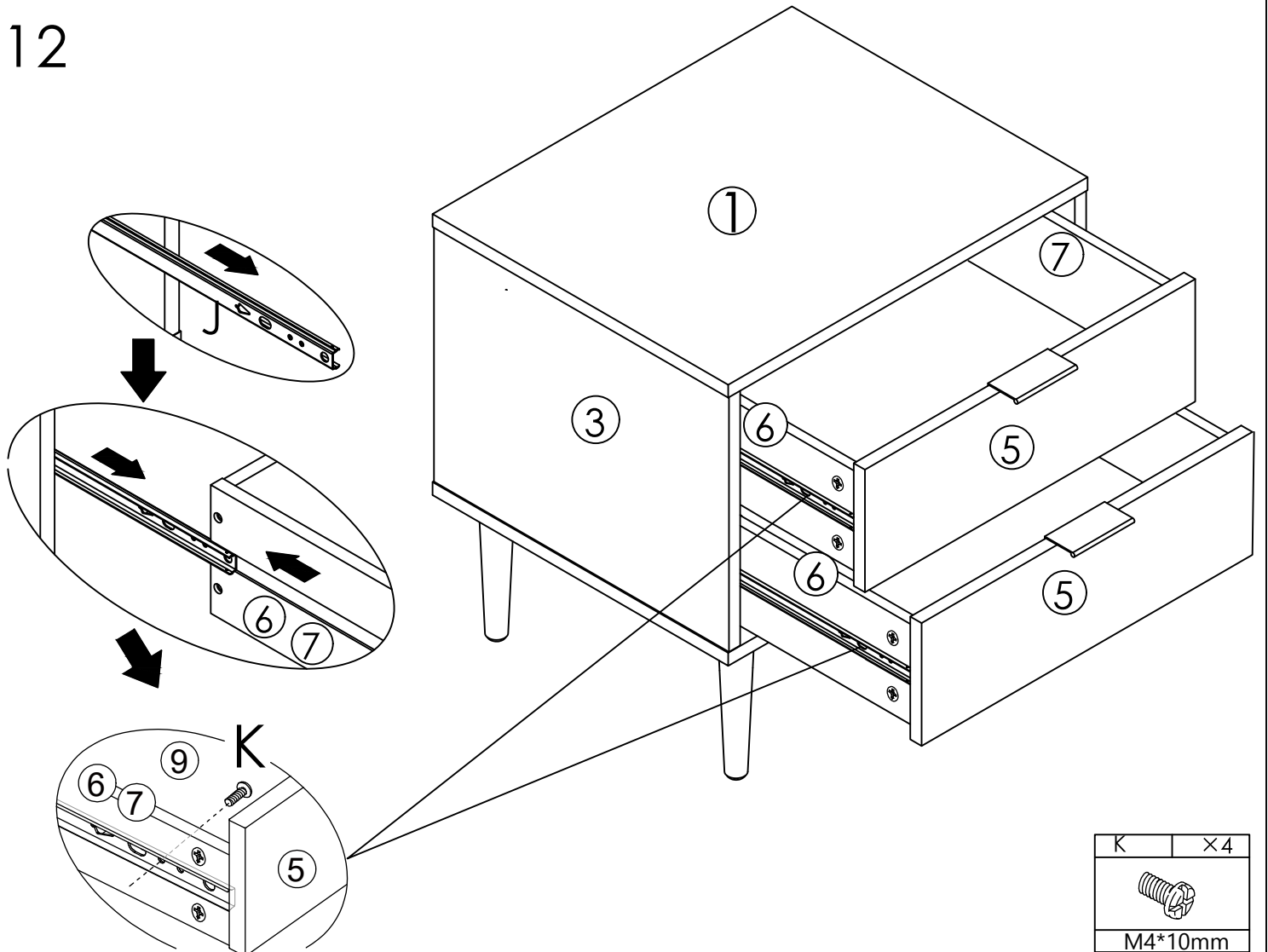
11

Pre-drill hole in wall



N	×1	O	×1
M4*30mm			

12



K	×4
M4*10mm	

Screw from the inside of the drawers