



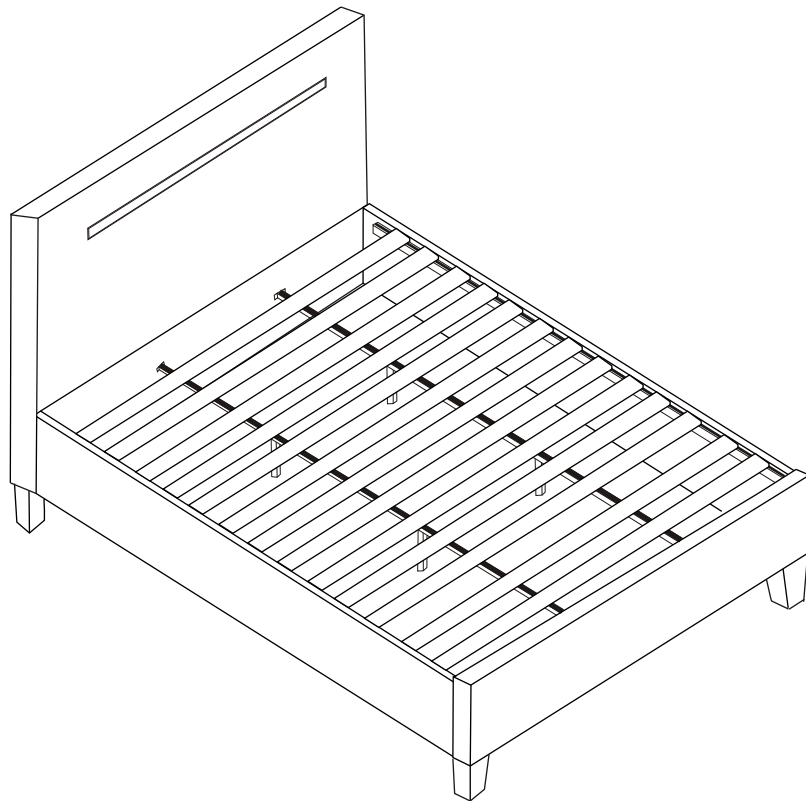
ASSEMBLY DIAGRAM

POLY BED

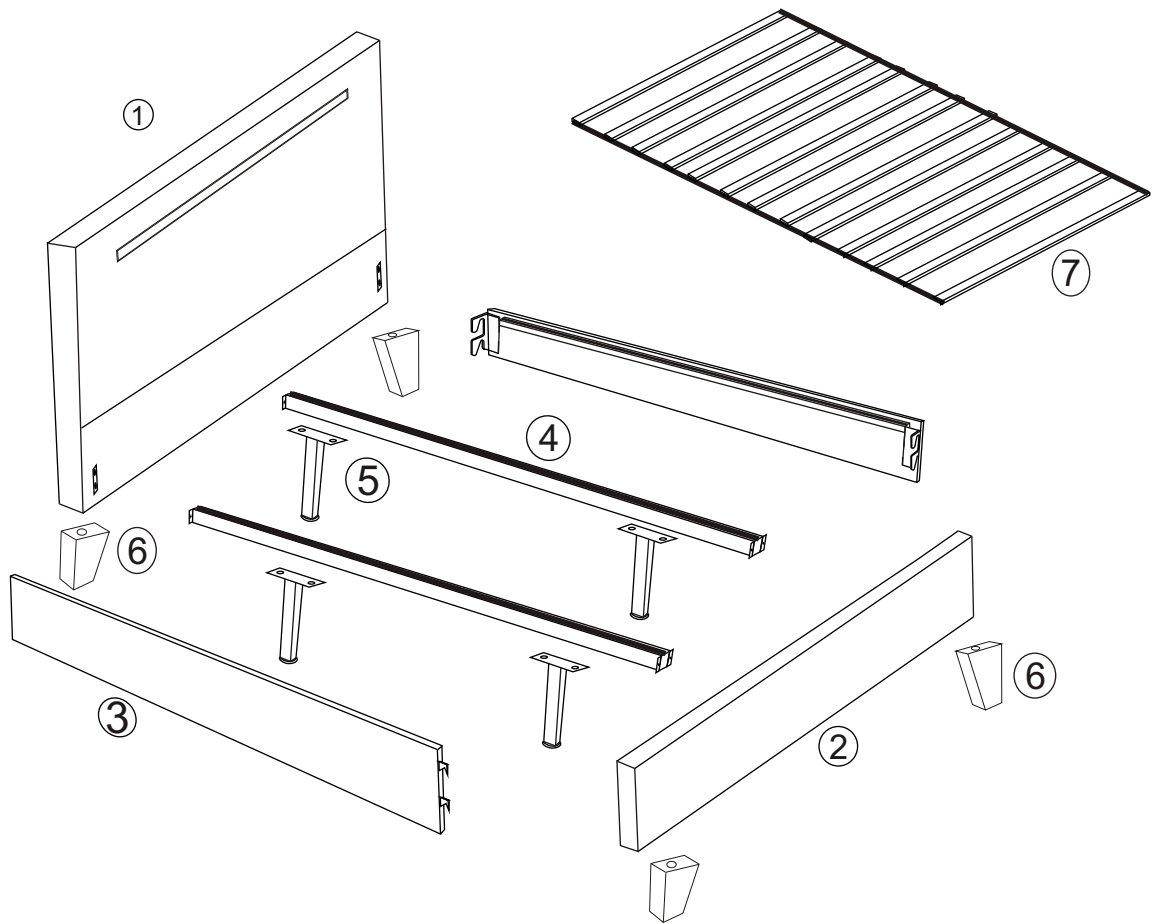
BF-B-POLY-K

IMPORTANT NOTE:







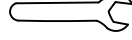



- *PLACE ALL PARTS ON A CLEAN AND SMOOTH SURFACE SUCH AS A RUG OR CARPET TO AVOID THE PARTS FROM BEING SCRATCHED.
- *KINDLY FOLLOW THE ASSEMBLY INSTRUCTIONS STEP BY STEP.
- *DO NOT TIGHTEN ALL SCREWS UNTIL THE BED IS FULLY SET-UP.



Parts

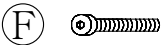





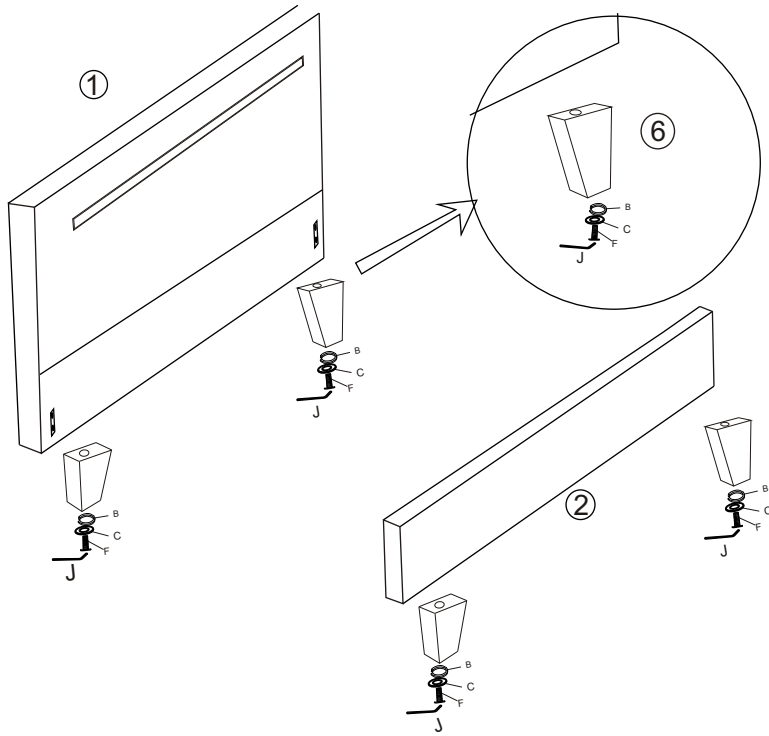
Fittings

A  Bolts (M8x30mm) 16pcs	B  Spring Washer 12pcs	C  Flat Washer 12pcs	E  Bolts (M8x40mm) 8pcs	F  Bolts (M8x100mm) 4pcs
H  Nuts 8pcs	I  Spanner 1pc	J  M6 Allen Key 1pc	K  Remote Control 1PC <small>Unplug the battery separator of the remote control before use</small>	L  LED Power Transformer 1PC

Please refer to the instruction words before installing it.





Step 1

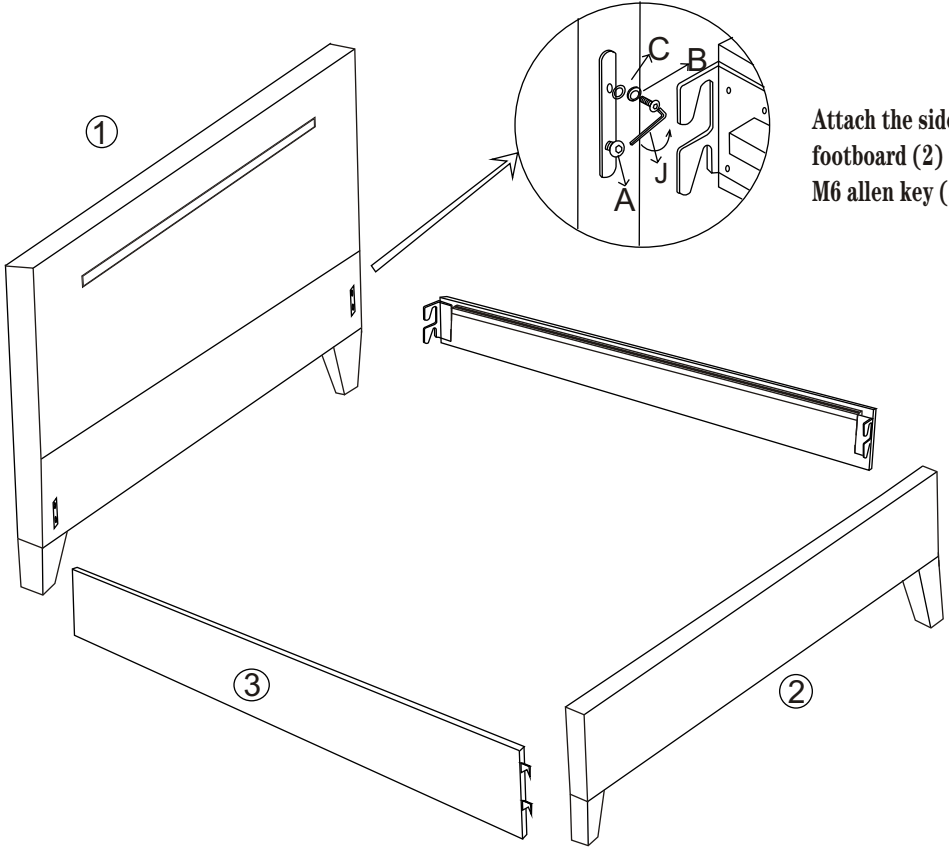
 <p>F Bolts (M8x100mm) 4pcs</p>	 <p>J M6 Allen Key 1pc</p>	 <p>B Spring Washer 4pcs</p>	 <p>C Flat Washer 4pcs</p>
--	---	---	---



Attach the legs (6) to the headboard (1) and footboard (2) using hardware parts F,B,C and "M6 allen key (J) .

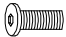


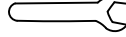

Step 2

 <p>A Bolts (M8x30mm) 8 pcs</p>	 <p>B Spring Washer 8pcs</p>	 <p>C Flat Washer 8pcs</p>	 <p>J M6 Allen Key 1pc</p>
--	---	--	---

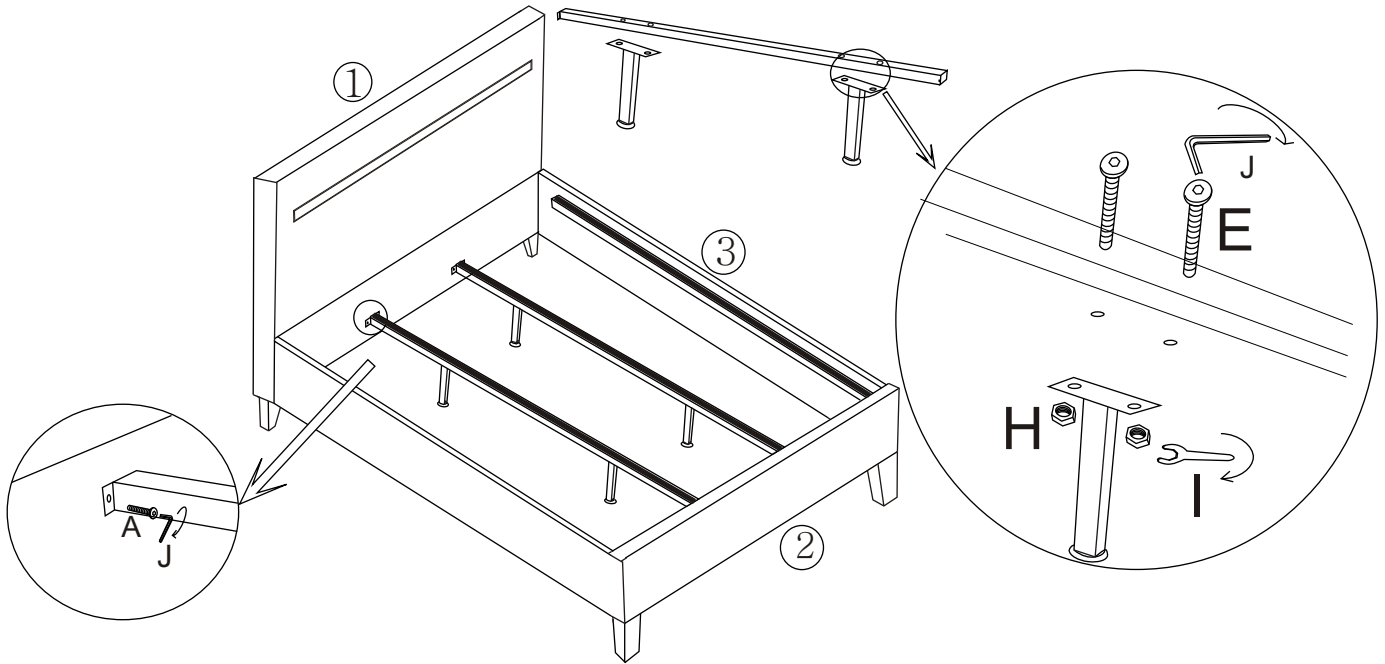


Attach the side rails(3)to the headboard (1) and footboard (2) using hardware parts A. B. C and M6 allen key (J) .


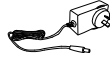
Step 3

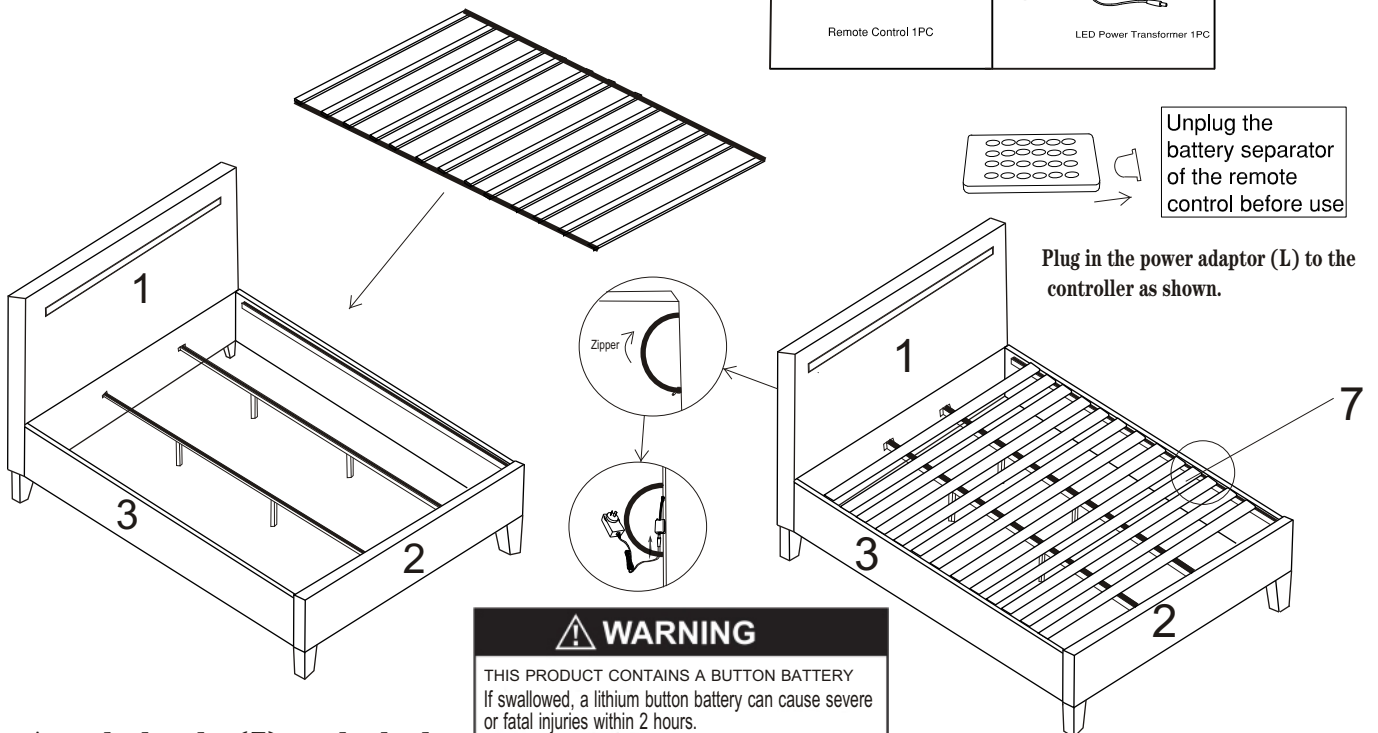
<p>A </p> <p>Bolts (M8x30mm) 8 pcs</p>	<p>E </p> <p>Bolts (M8x40mm) 8pcs</p>	<p>H </p> <p>Nuts 8pcs</p>	<p>I </p> <p>Spanner 1pc</p>	<p>J </p> <p>M6 allen key 1PC</p>
--	---	--	--	---

Attach the centre support bar(4) to the headboard (1) and footboard (2) using hardware parts A, J.
 "Attach the support legs(5) to the centre support bar(4) using hardware parts E,H, J and F.



Step 4

<p>K </p> <p>Remote Control 1PC</p>	<p>L </p> <p>LED Power Transformer 1PC</p>
--	--



Attach the slat(7) to the bed.

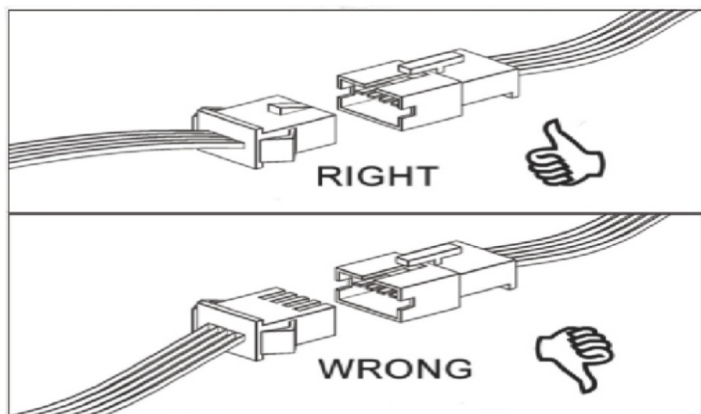
⚠ WARNING

THIS PRODUCT CONTAINS A BUTTON BATTERY
 If swallowed, a lithium button battery can cause severe or fatal injuries within 2 hours.
 Keep batteries out of reach of children.
 If you think batteries may have been swallowed or placed inside any part of the body, seek immediate medical attention.

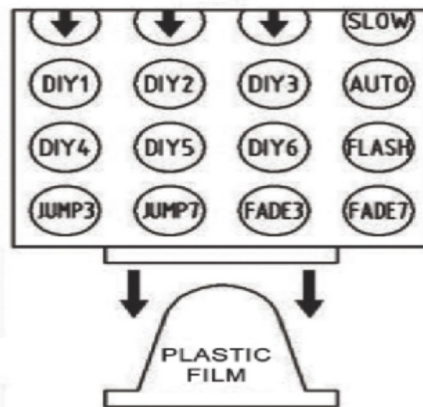
LED LIGHTS TROUBLESHOOTING

If the LED lights are not working successfully, please check the following:

1. Check the facing of the connectors and ensure that they are as shown in the illustration.
2. Check the remote controller. Remove the plastic film before use.
3. Make sure that the remote controller is within the range of the receiver, and that the transmission signal is not obstructed.



Check the facing of the connectors and ensure that they are aligned correctly.



Remove the plastic film from the remote controller.

REMOTE CONTROLLER OPERATING INSTRUCTIONS

SPECIFICATIONS

Working temperature:

-20° to 60°C

Product dimensions:

62mm (L) x 35mm (W) x 23mm (H)

Net weight:

50g

Output:

Three CMOS drain-open output

Maximum load current:

2A per colour

Supply voltage:

DC12V

CONTROL

The function of each button on the remote controller are as shown in the table below:

Brightness + (speed up)	Brightness + (speed down)	Off	On
Static red	Static green	Static blue	Static white
Static orange	Static pea green	Static dark blue	7-colour jump change
Static dark yellow	Static cyan	Static brown	All fade out and fade in
Static yellow	Static light blue	Static pink	7-colour fade change
Static straw yellow	Static sky blue	Static purple	3-base colour jump

CIRCUIT DIAGRAM



WARNINGS

1. The supply voltage of the product is DC12V. Never connect to DC24V or AC220V.
2. Never connect two wires directly to prevent a short circuit.
3. Ensure that the wire connections are connected correctly as per the circuit diagram above.
4. This product as a one-year warranty against manufacturing defects but not for damages due to incorrect use or current overload.

ATTENTION

This product contains a button battery.

If swallowed, a lithium button battery can cause severe or fatal injuries within two hours.

Keep battery out of reach of children.

If you think the battery may have been swallowed or placed inside any part of the body, seek medical attention immediately.