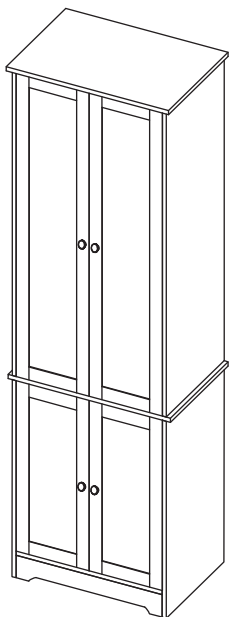




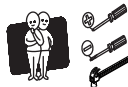
CUPBOARD

MODEL:SB-NED-A30-WHWD



ASSEMBLY INSTRUCTIONS

Please read instructions carefully before assembly.



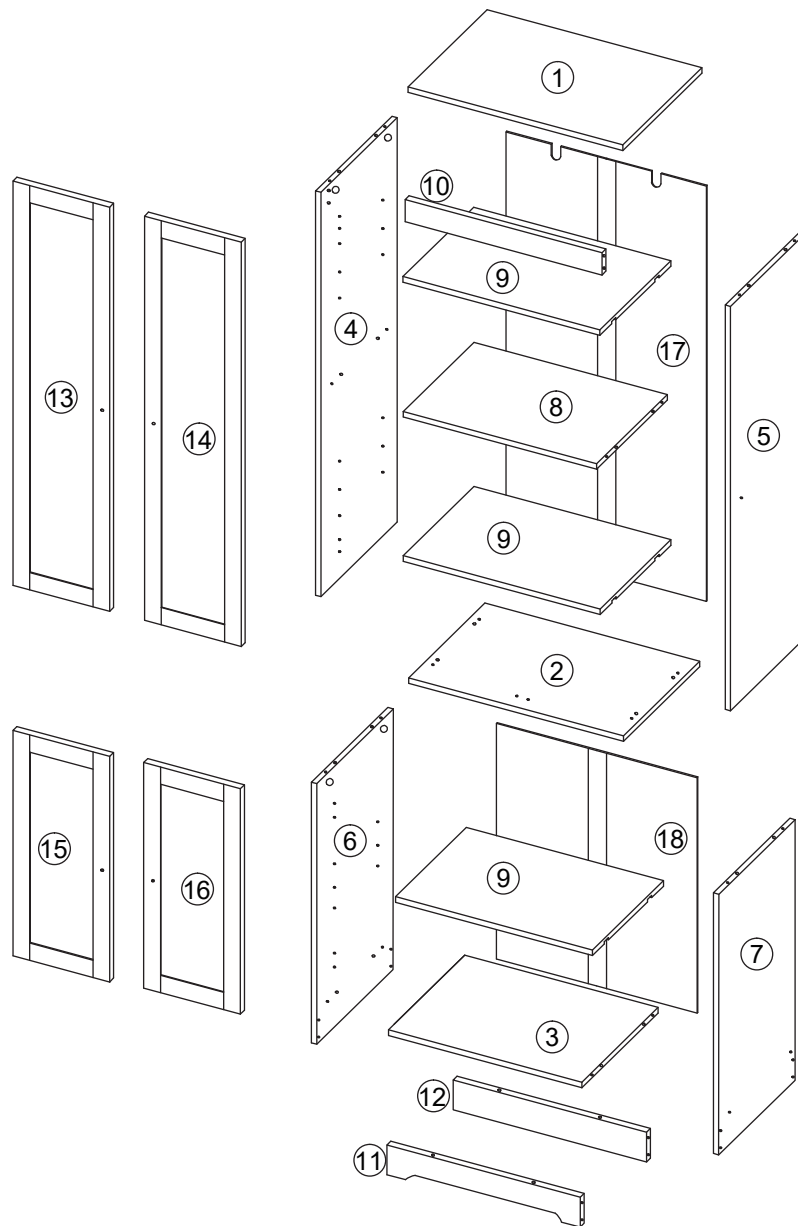
Two persons and tools required for assembly

HARDWARE

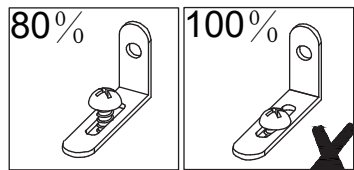
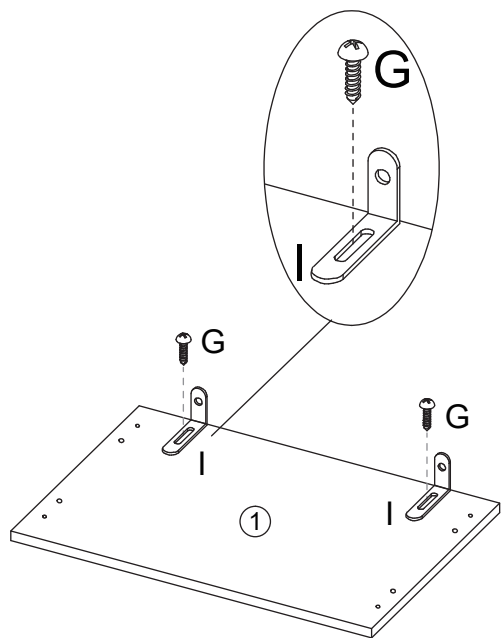
A	x8	B	x8	C	x20	D	x20	E	x16	F	x2
7x35mm		15x12mm		Ø6x30mm		M4x40mm				M4x30mm	
G	x2	H	x2	I	x2	J	x28	K	x4	L	x8
M4x14mm										M3x14mm	
M	x8	N	x32	O	x4	P	x12	Q	x4	R	x4
		M3.5x14mm						M4x20mm			
S	x4	T	x2	U	x4						
Ø6x50mm											



PARTS

Wipe with dry cloths

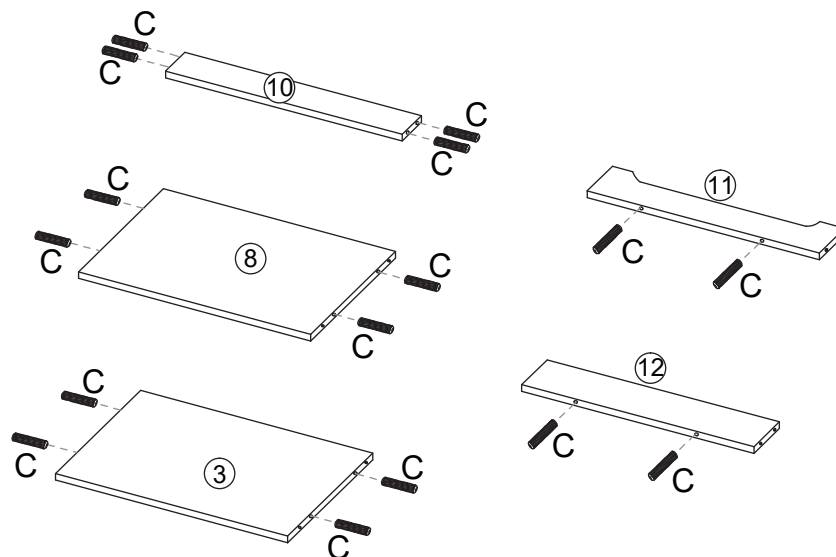



1



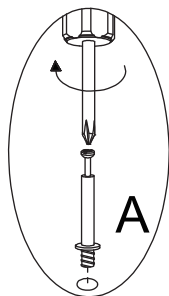
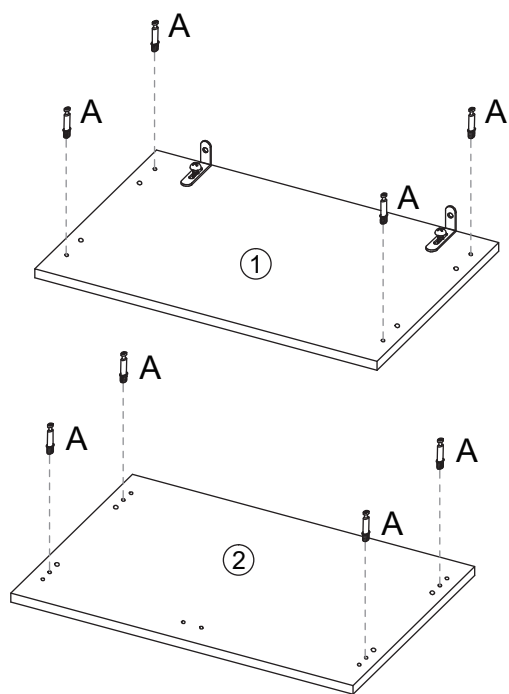
G	x2	I	x2
			
M4x14mm			


3



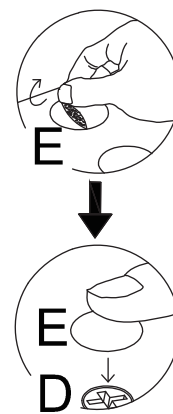
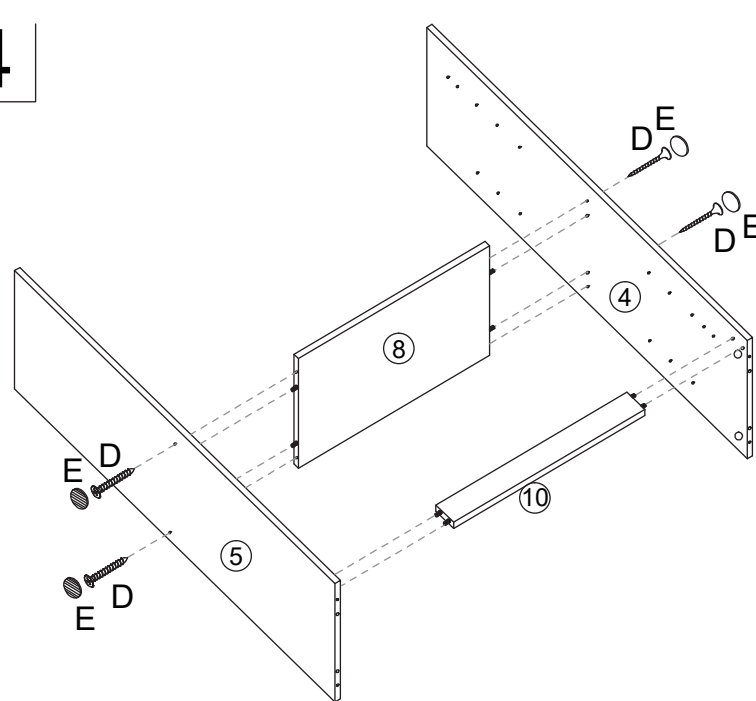
C	x16
	
Ø6x30mm	



2



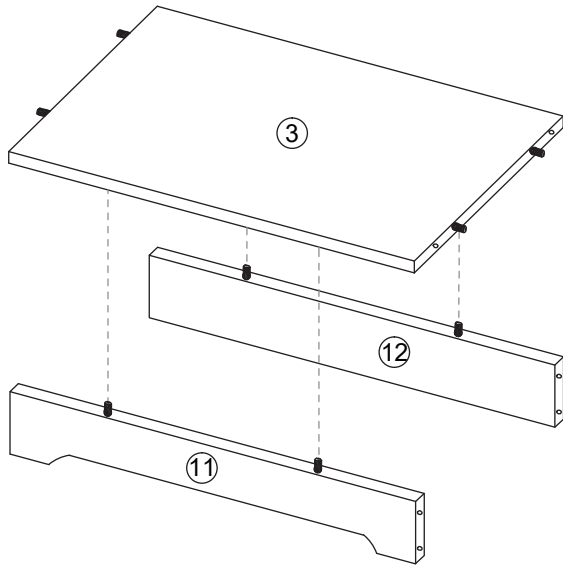
A	x8
	
7x35mm	

4

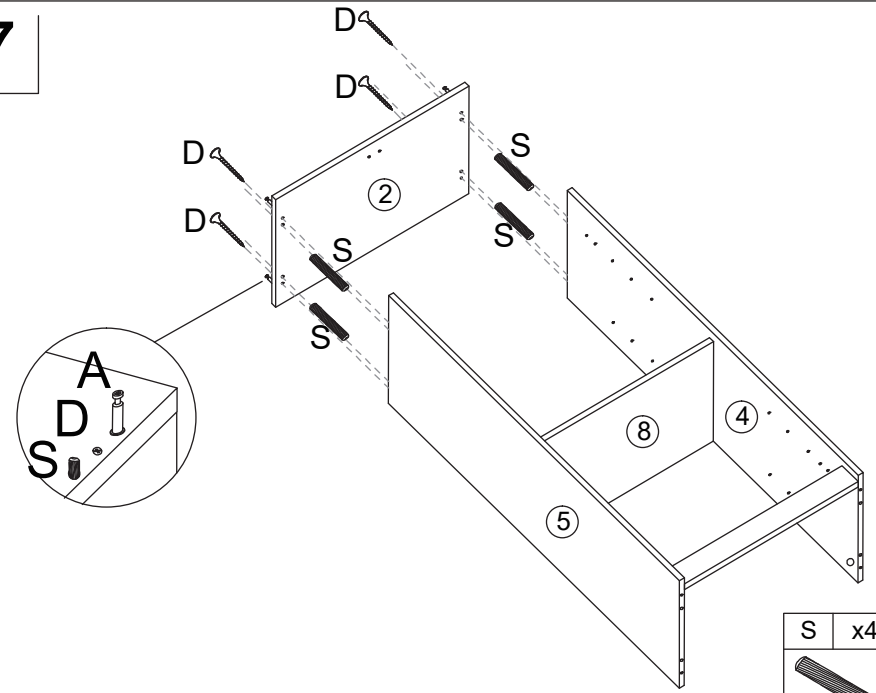


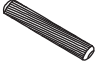

D	x4	E	x4
			
M4x40mm			

5

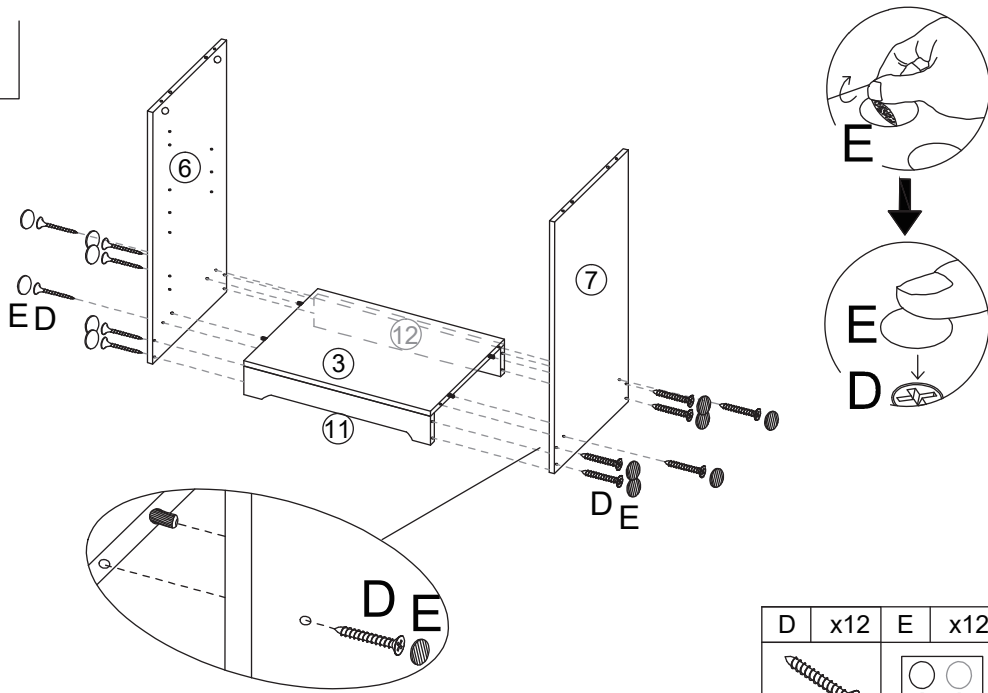



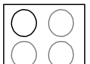
7



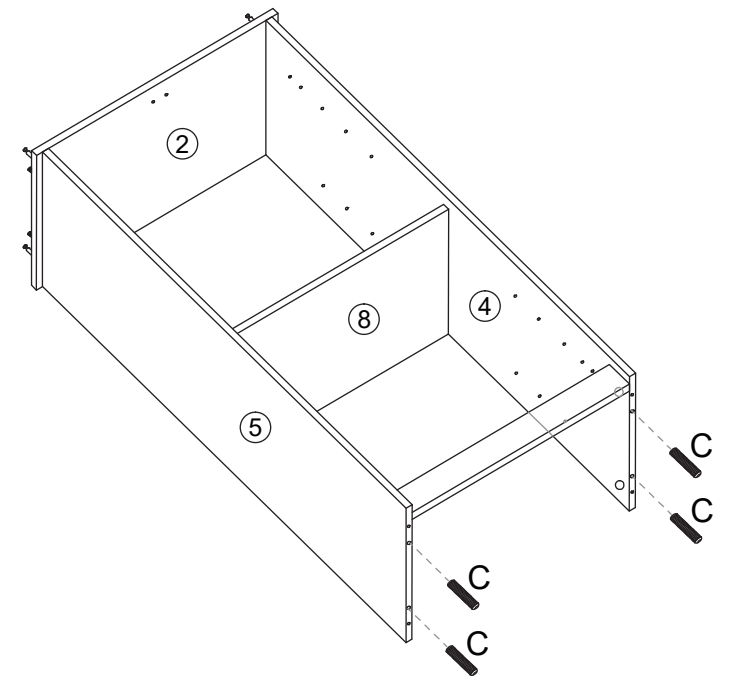
S	x4	D	x4
			
Ø6x50mm		M4x40mm	


6



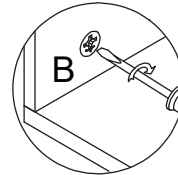
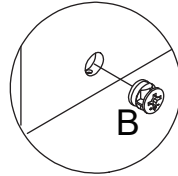
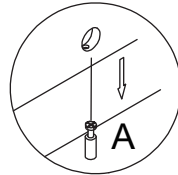
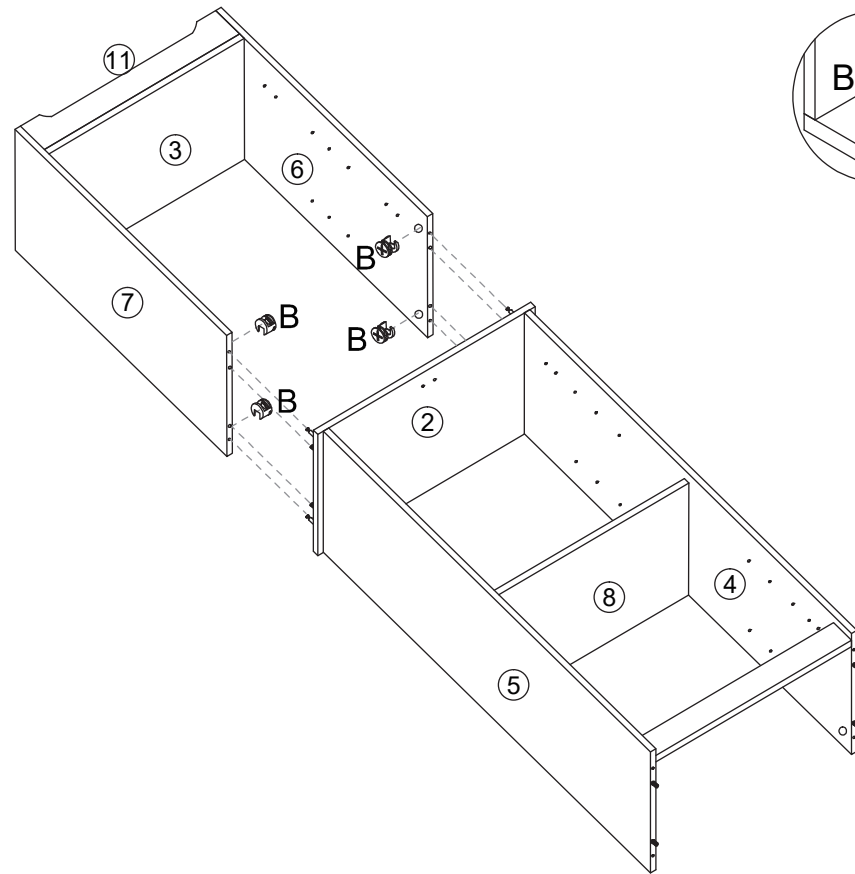
D	x12	E	x12
			
M4x40mm			


8



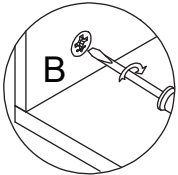
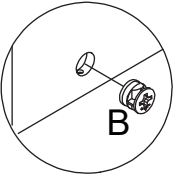
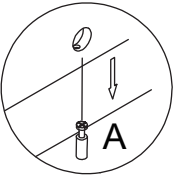
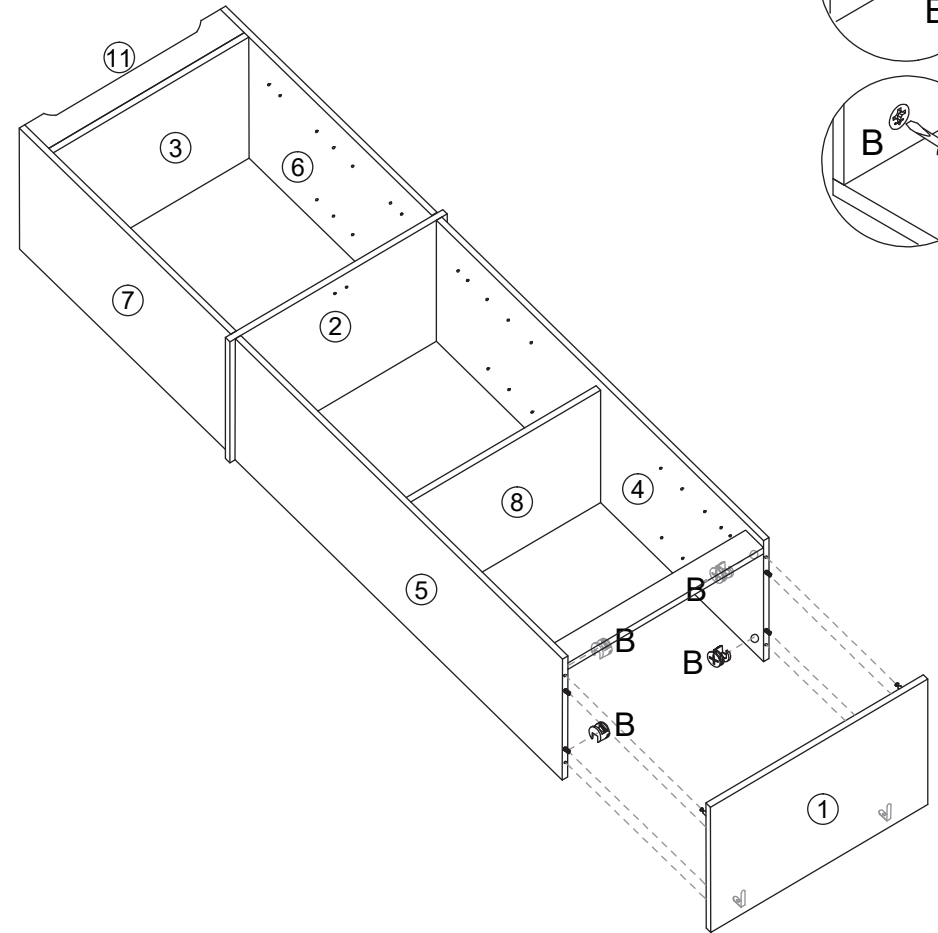
C	x4
	
Ø6x30mm	


9



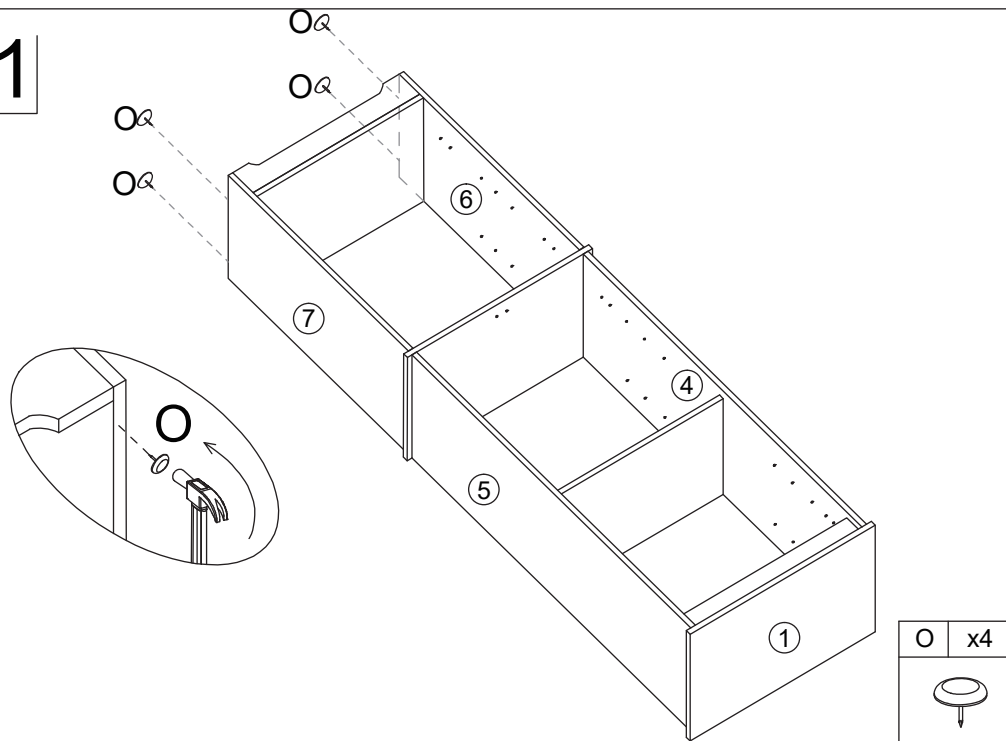
B	x4
	
15x12mm	

10

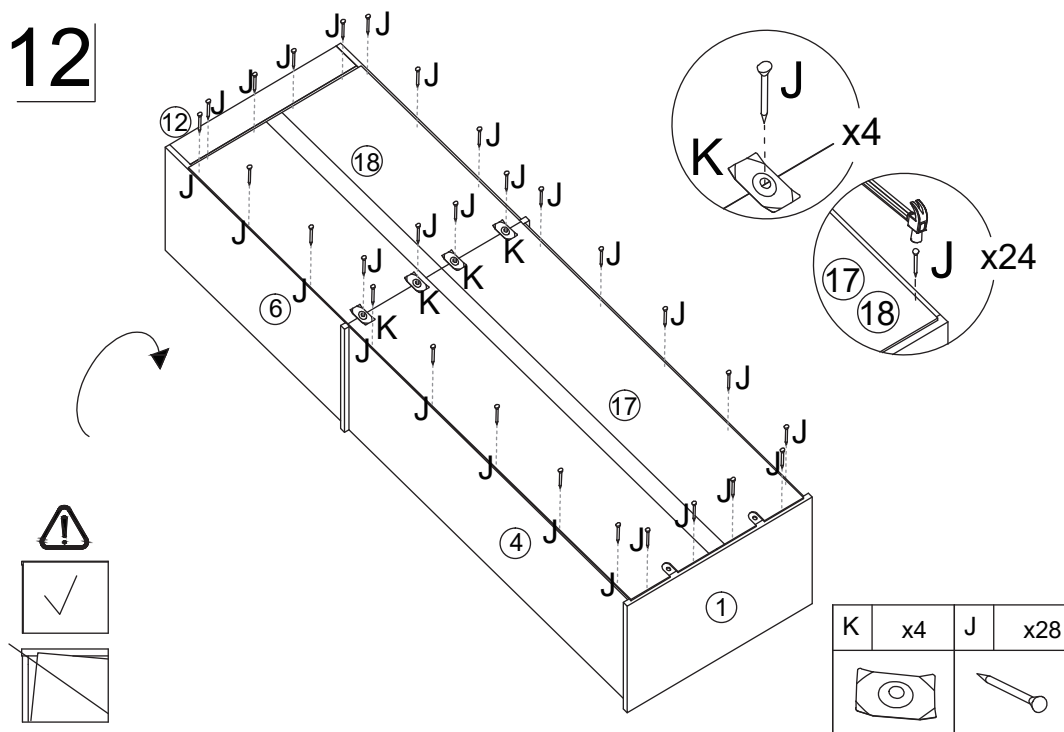


B	x4
	
15x12mm	

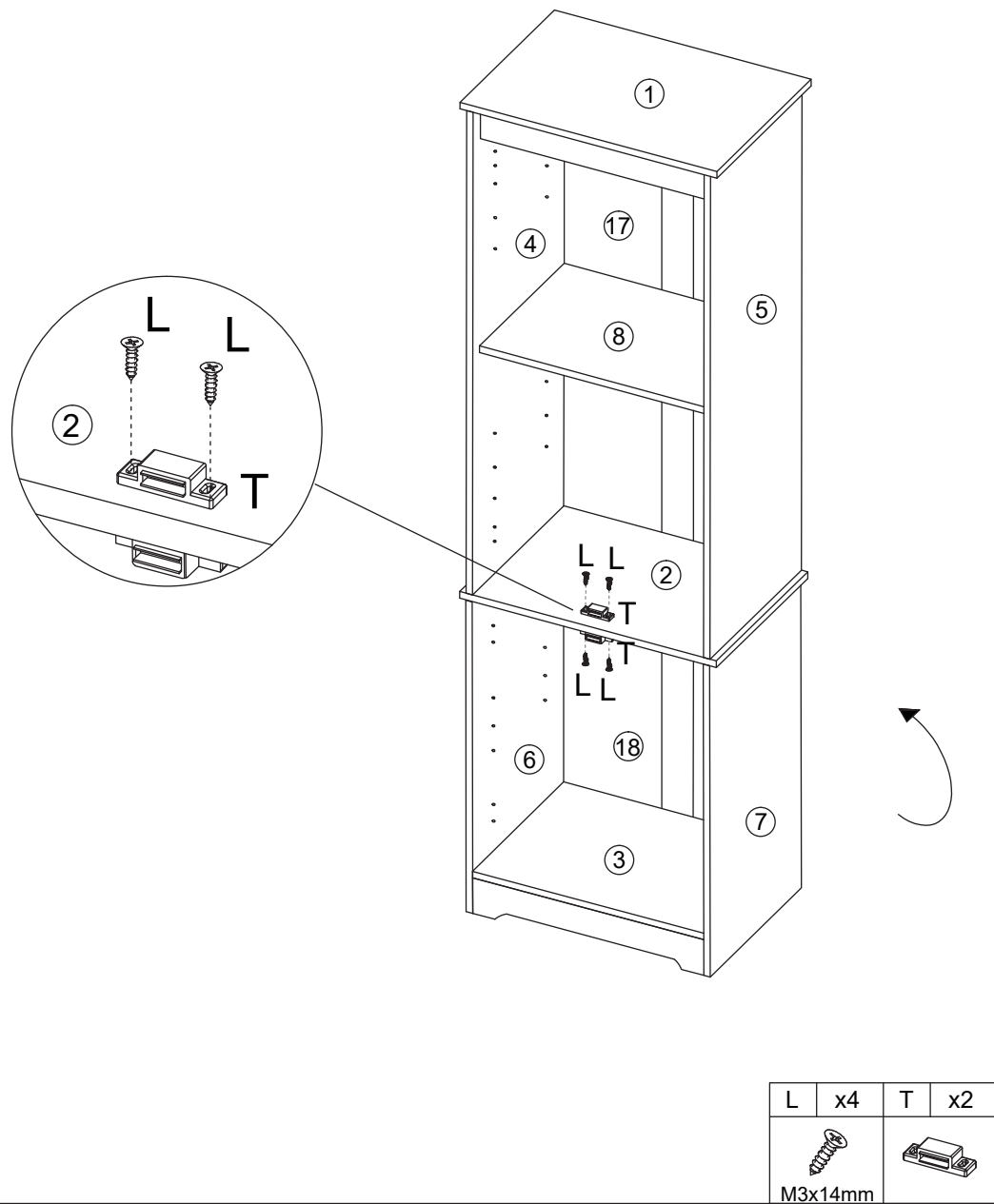
11



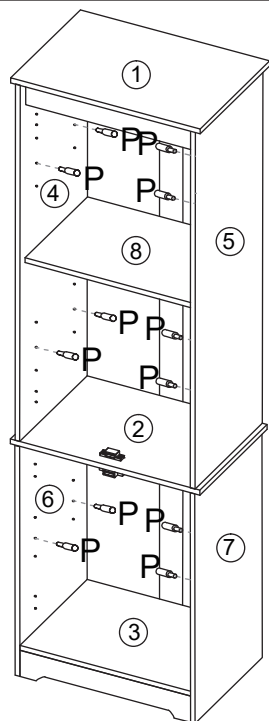
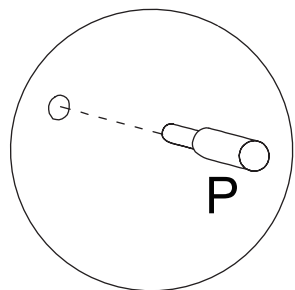
12



13

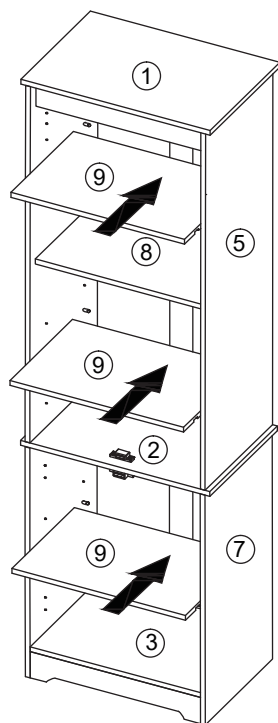
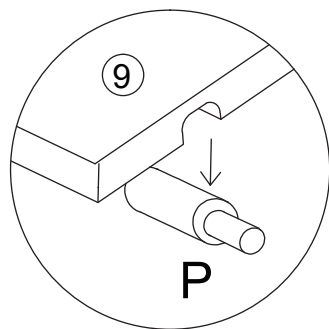


14

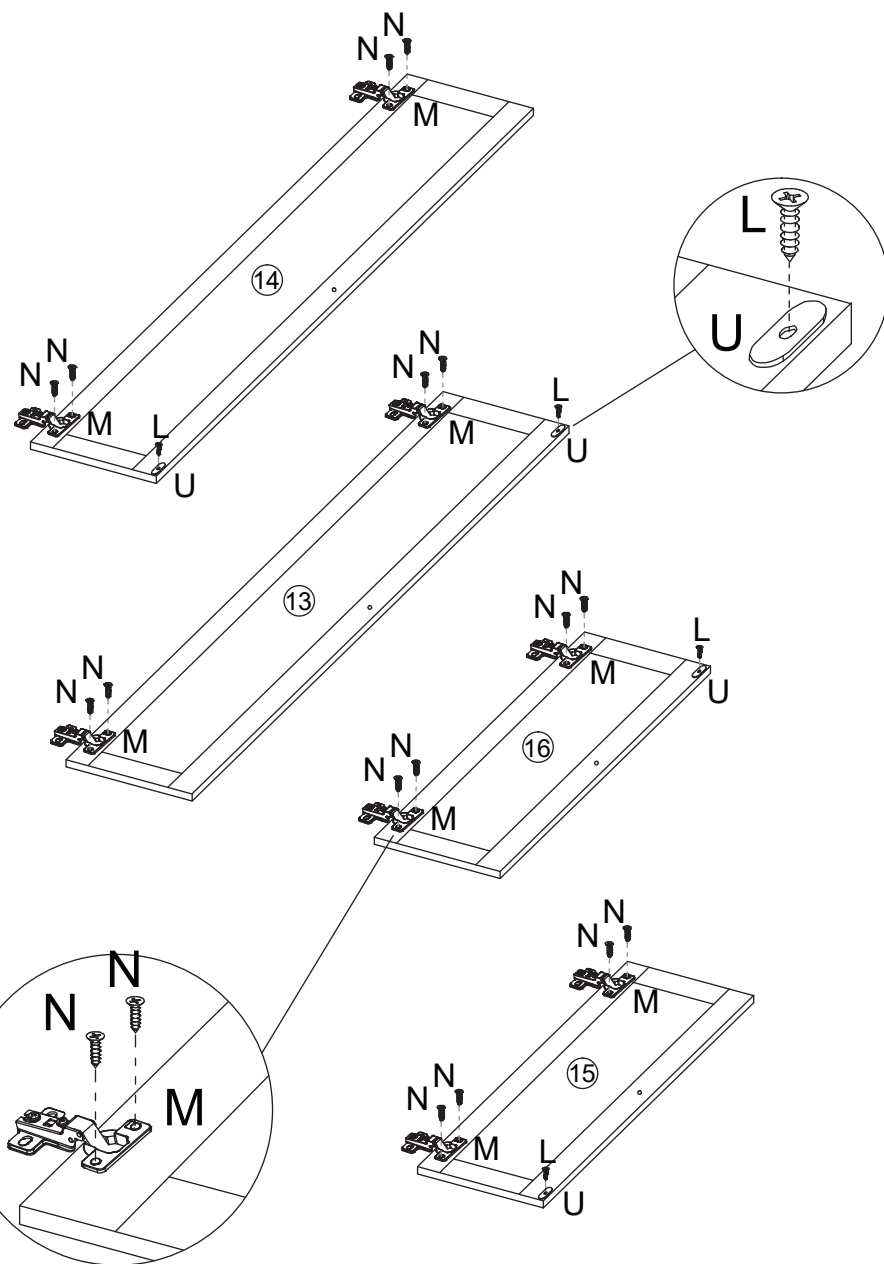


P	x12

15

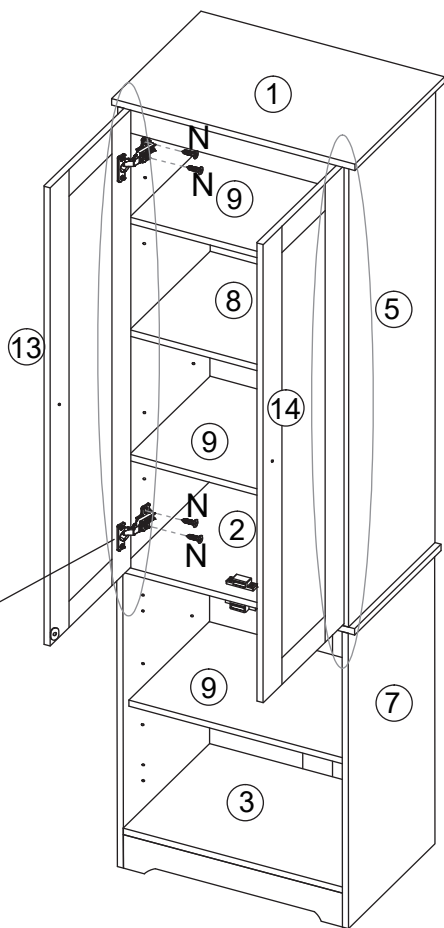
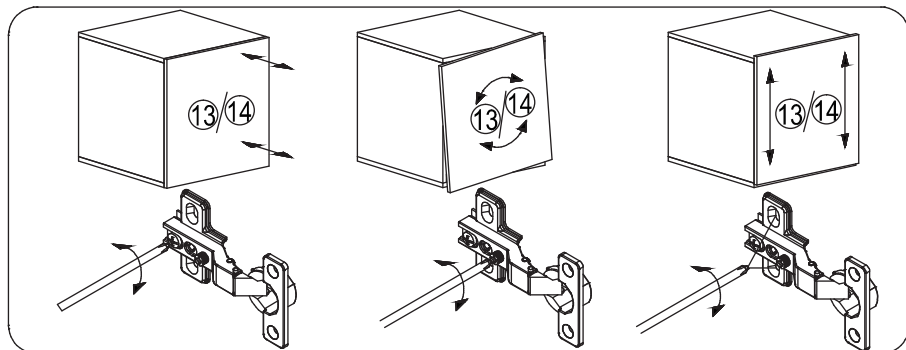


16



M	x8	N	x16	L	x4	U	x4
			M3.5x14mm		M3x12mm		

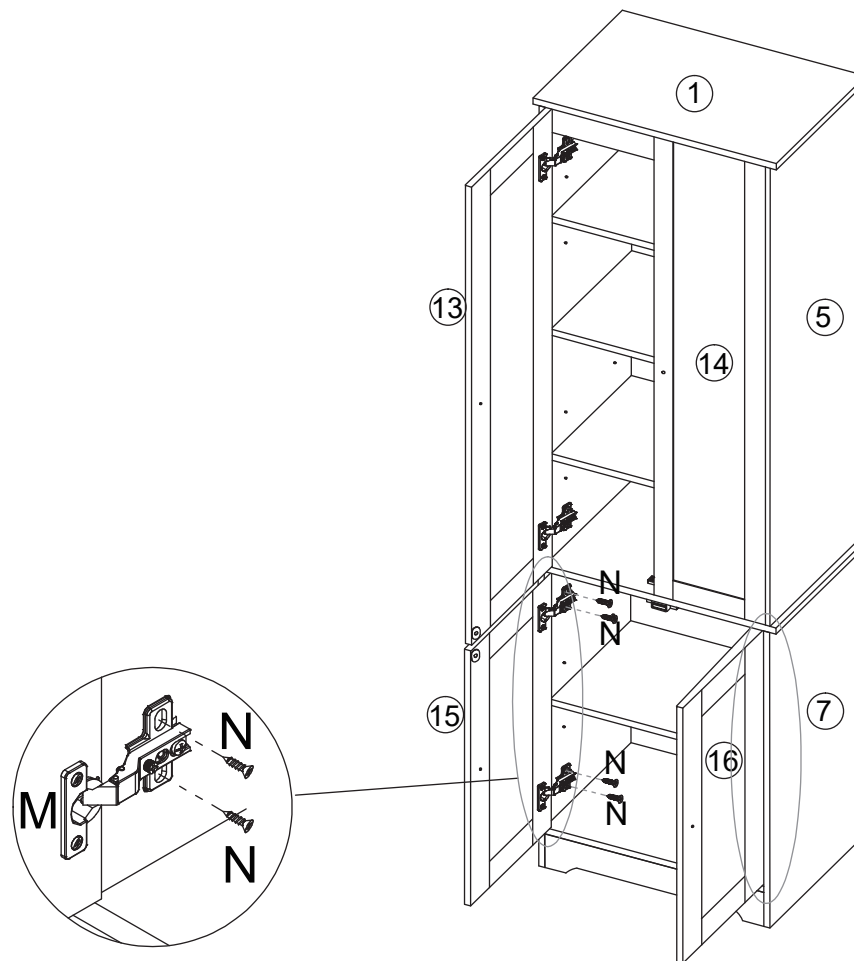
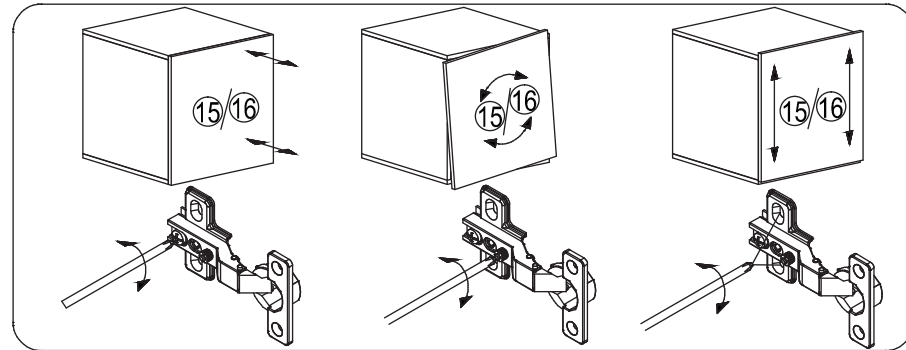
17



N x8

M3.5x14mm

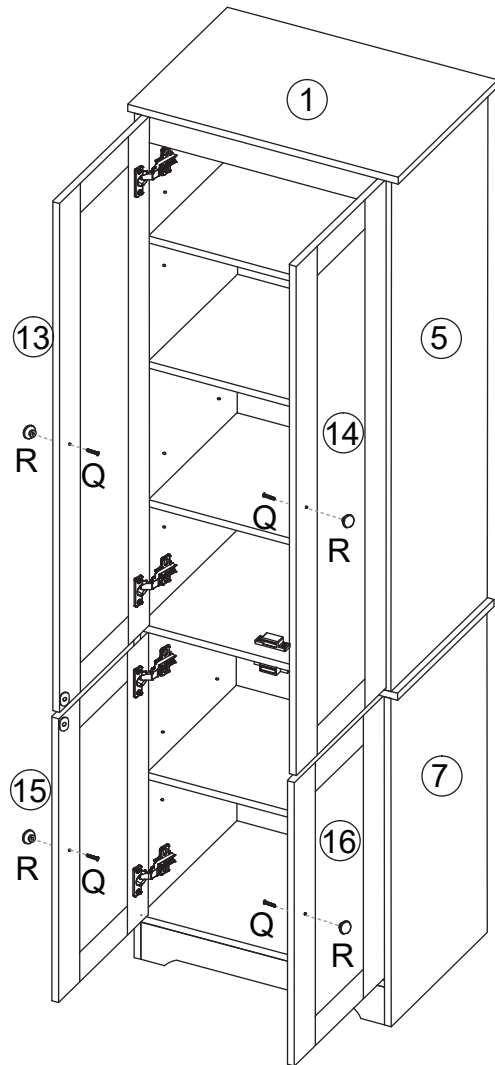
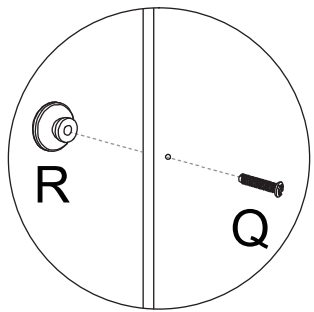
18





N x8

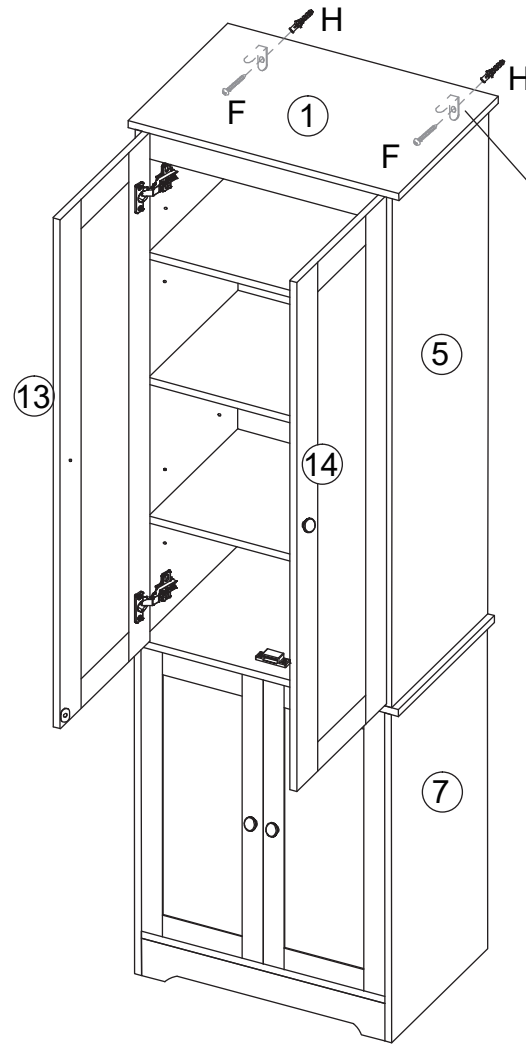
M3.5x14mm

19

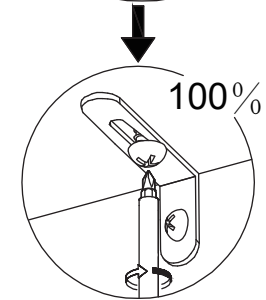
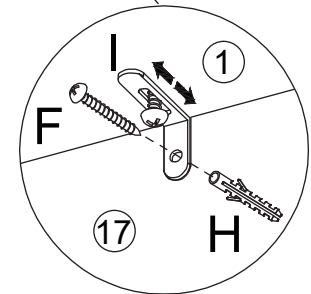
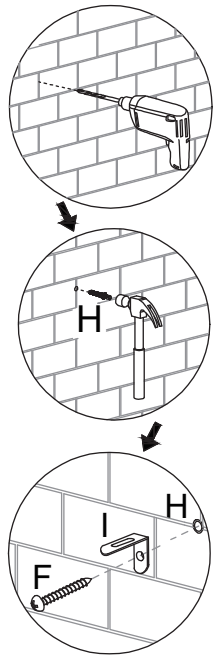



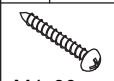
Q	x4	R	x4
			
M4x20mm			

20



Pre-drilled hole at wall



H	x2	F	x2
			
		M4x30mm	