



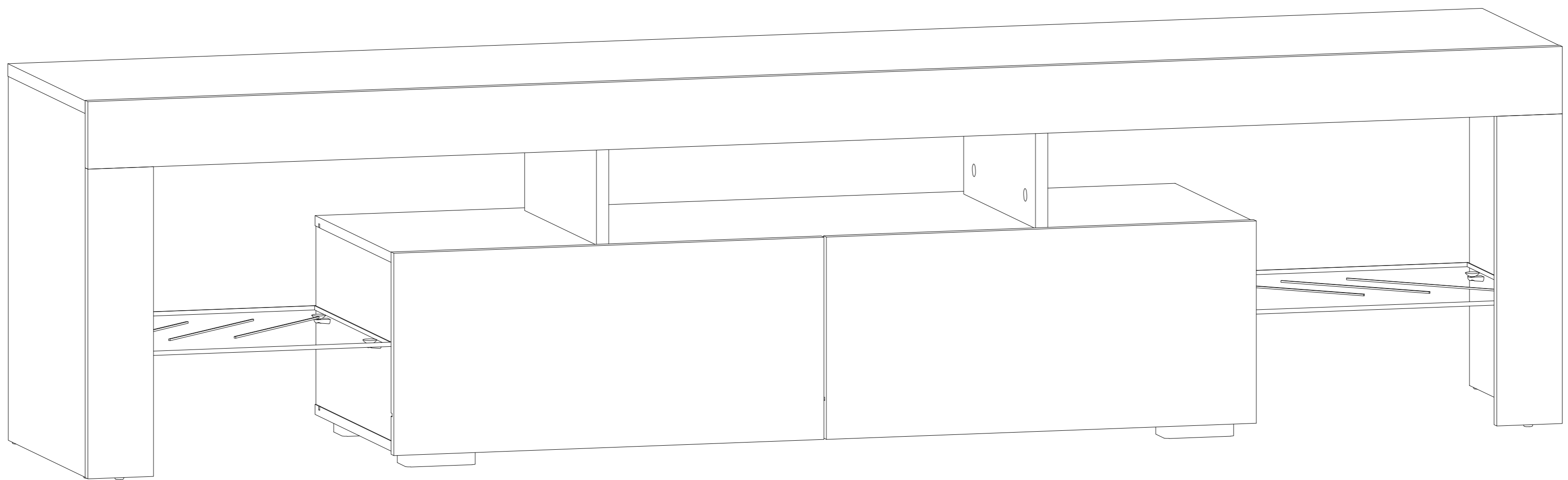
TV STAND

SKU: EU-BD-D1-180-WH/BK

Size: 1800x350x450 mm

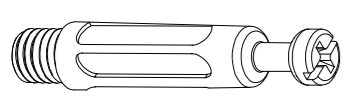
WARNING

THIS PRODUCT CONTAINS A BUTTON BATTERY
If swallowed, a lithium button battery can cause severe or fatal injuries within 2 hours.
Keep batteries out of reach of children.
If you think batteries may have been swallowed or placed inside any part of the body, seek immediate medical attention.

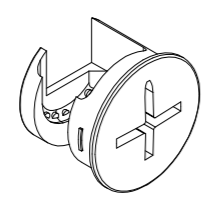


Hardware

A × 39 PCS
Φ6×40mm



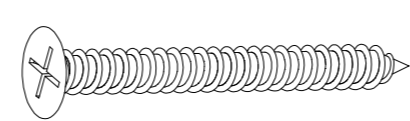
B × 39 PCS
Φ15×9mm



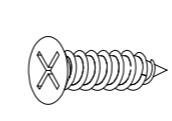
C × 34 PCS
Φ6×30mm



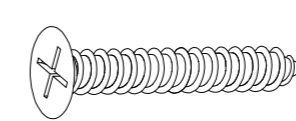
D × 14 PCS
ST3.5×35



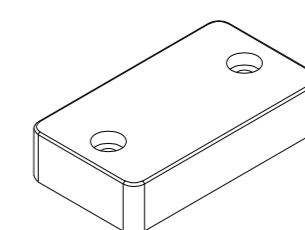
E × 28 PCS
ST3.5×12



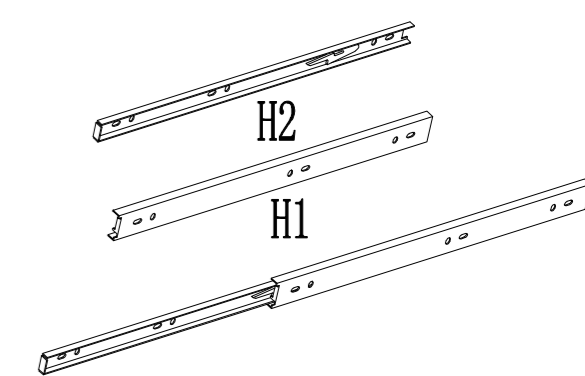
F × 10 PCS
ST4×25



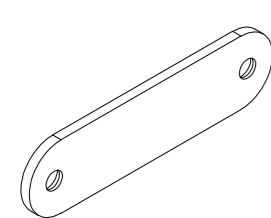
G × 5 PCS



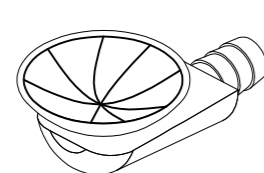
H × 2 SETS



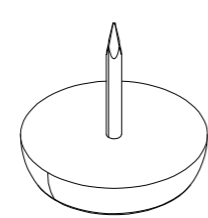
J × 4 PCS



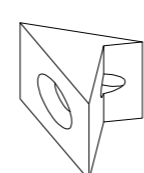
K × 8 PCS



M × 6 PCS



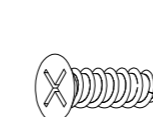
R × 4 PCS



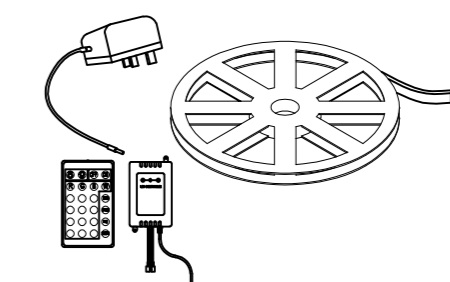
S × 3 PCS



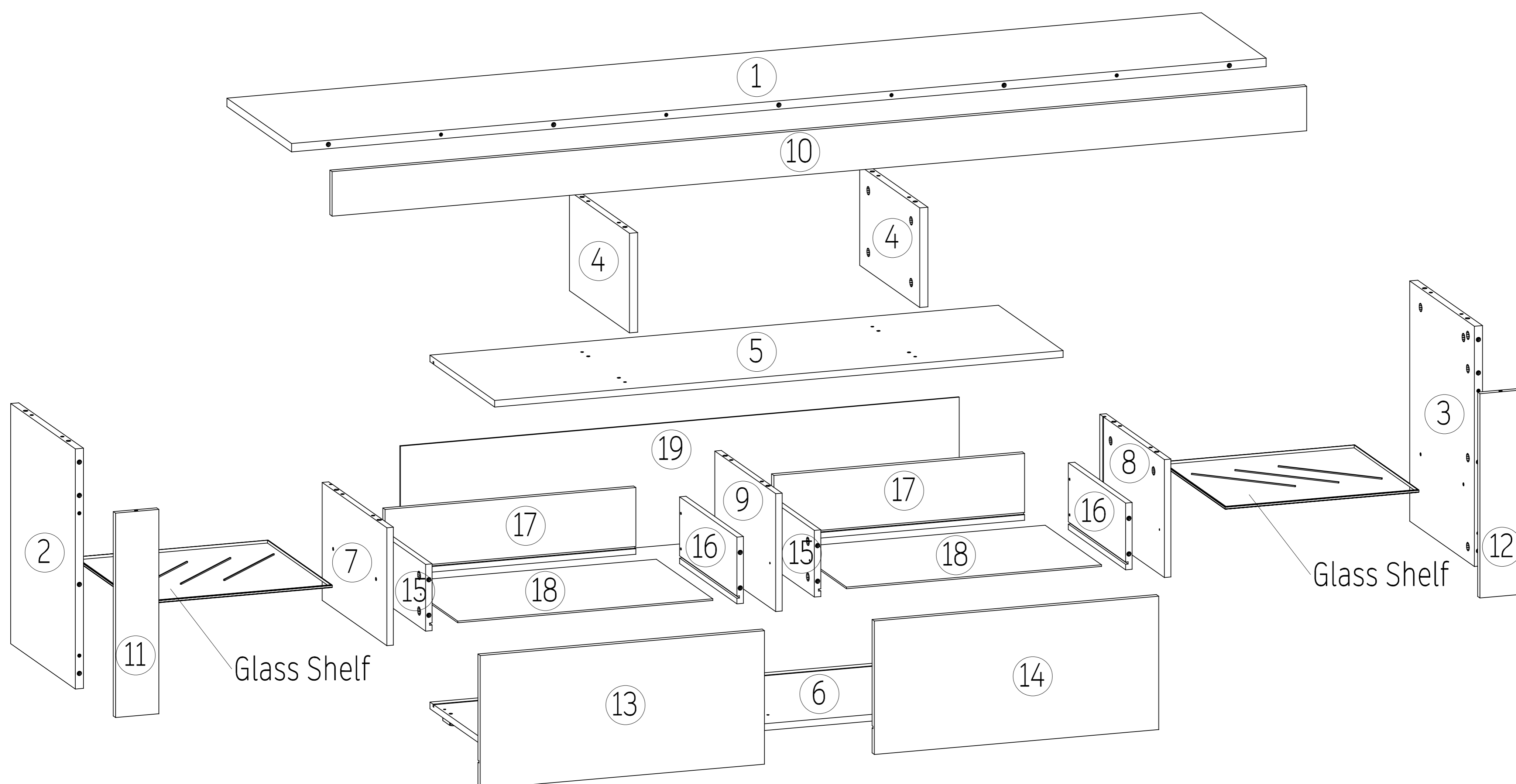
T × 6 PCS
ST3×12



U × 1 SET
Led tape
Controller
Power adapter

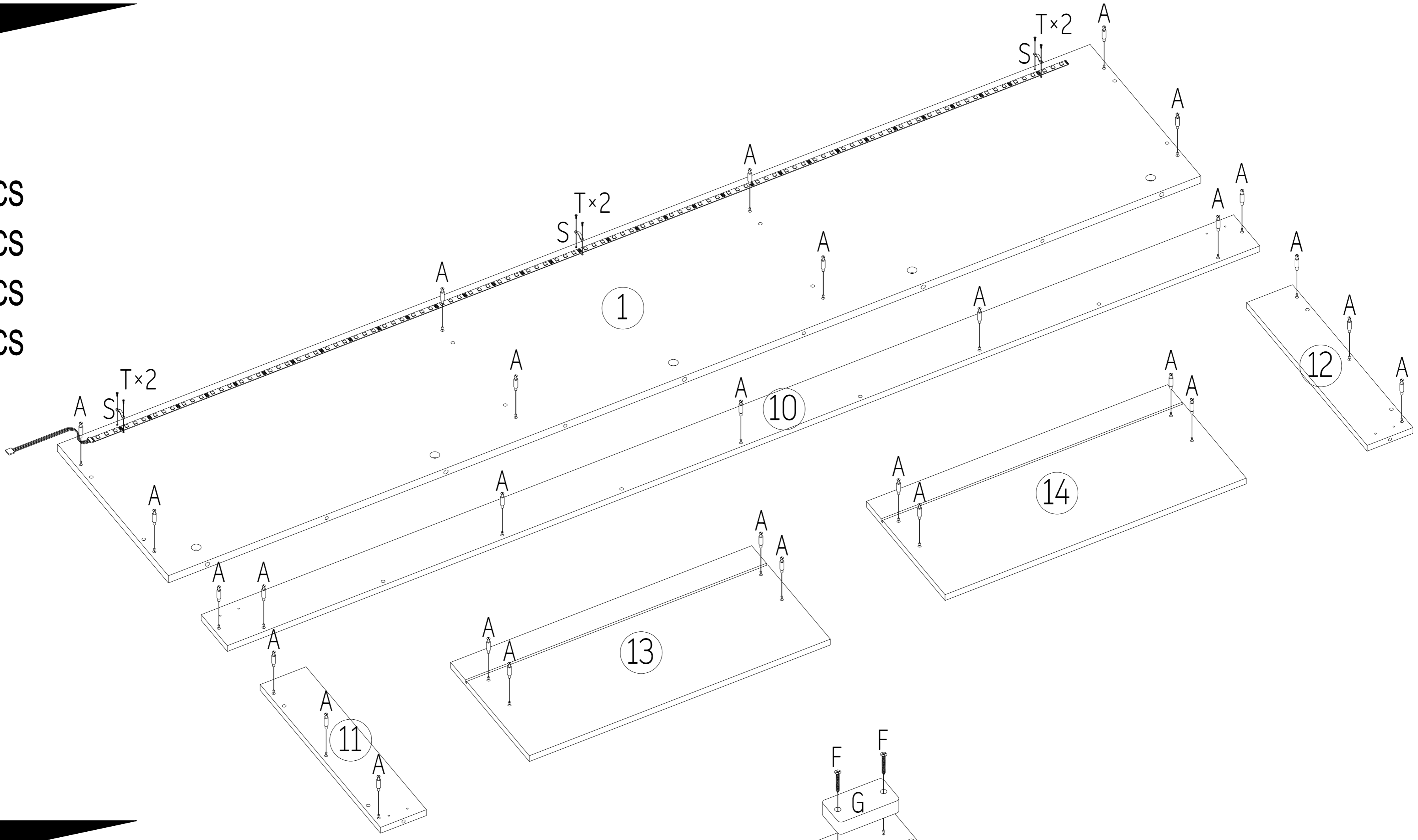


Exploded view



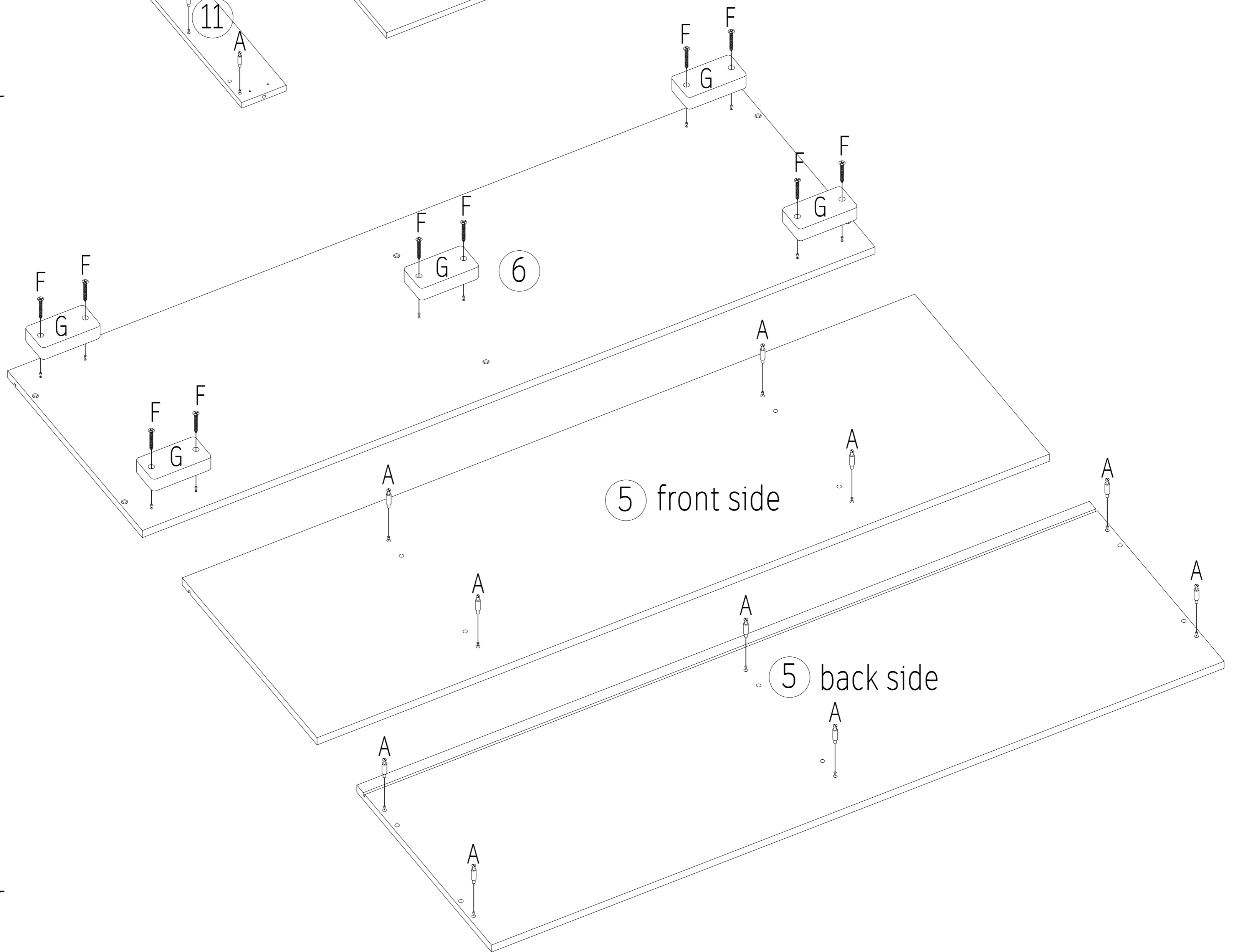
1

- A × 29 PCS
- U × 1 PCS
- S × 3 PCS
- T × 6 PCS



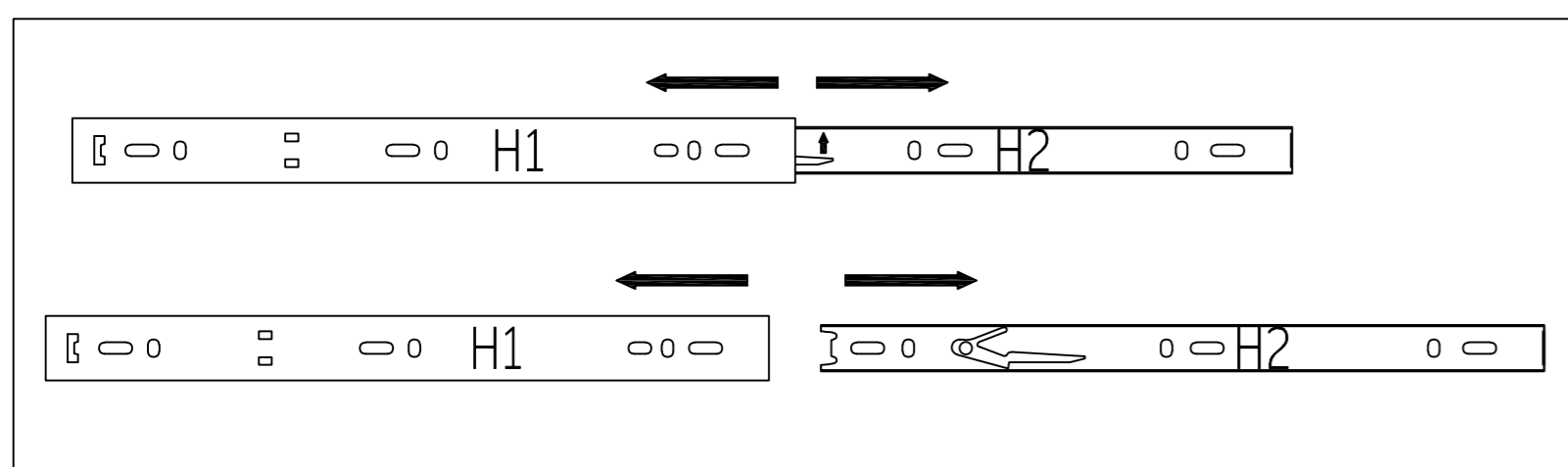
2

- A × 10 PCS
- F × 10 PCS
- G × 5 PCS

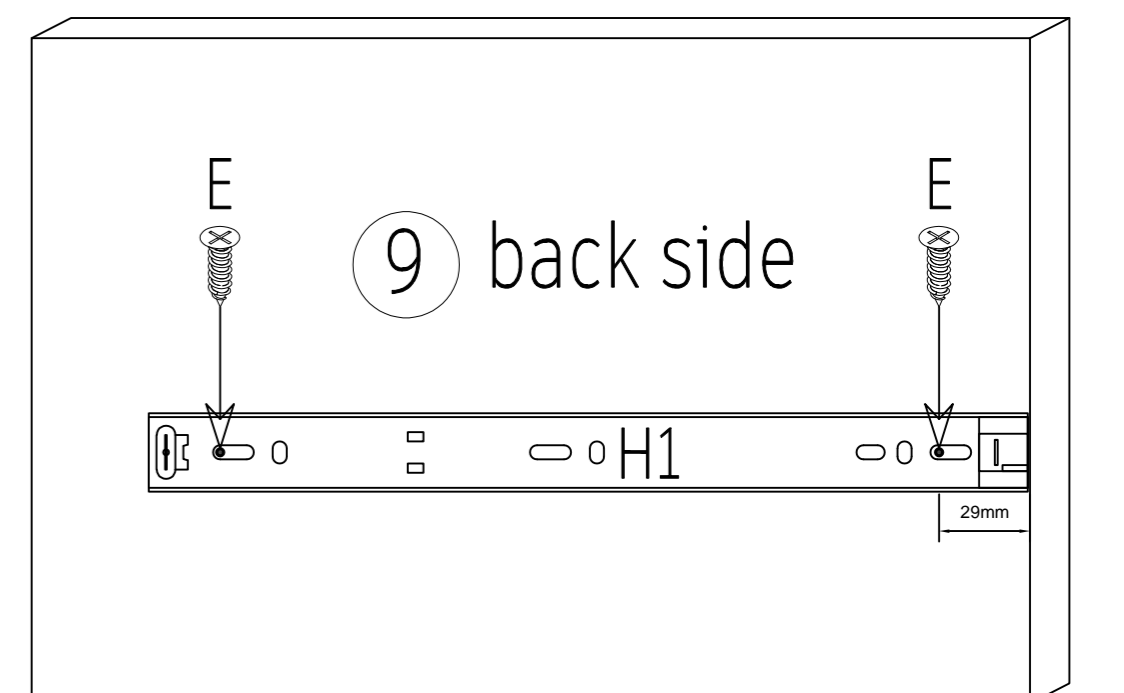
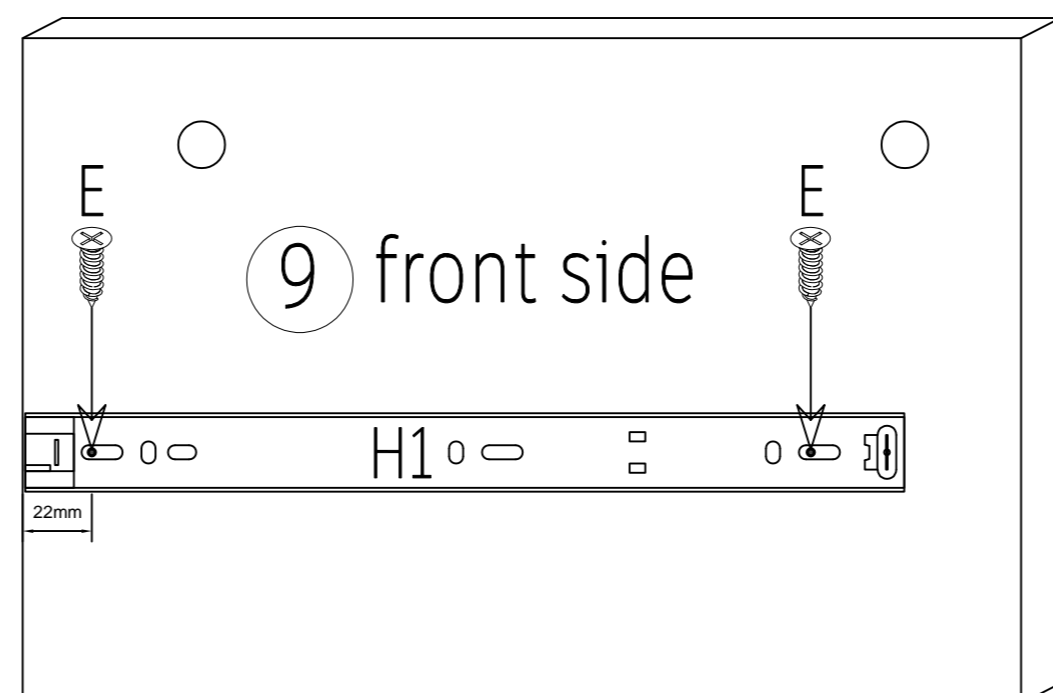
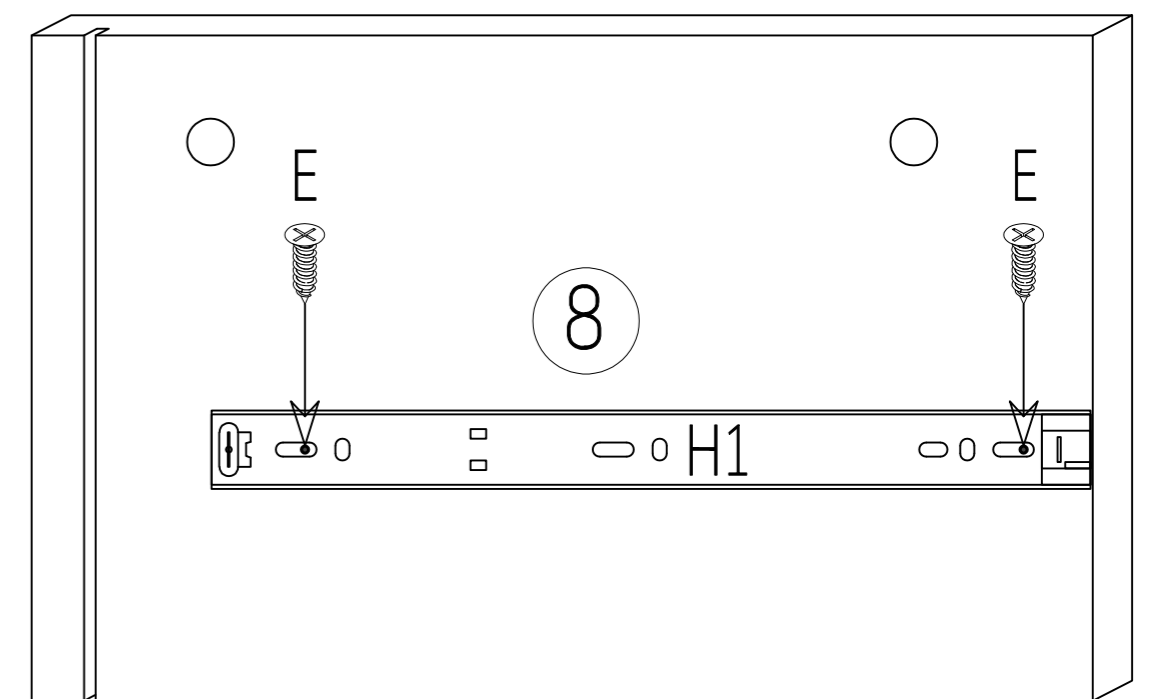
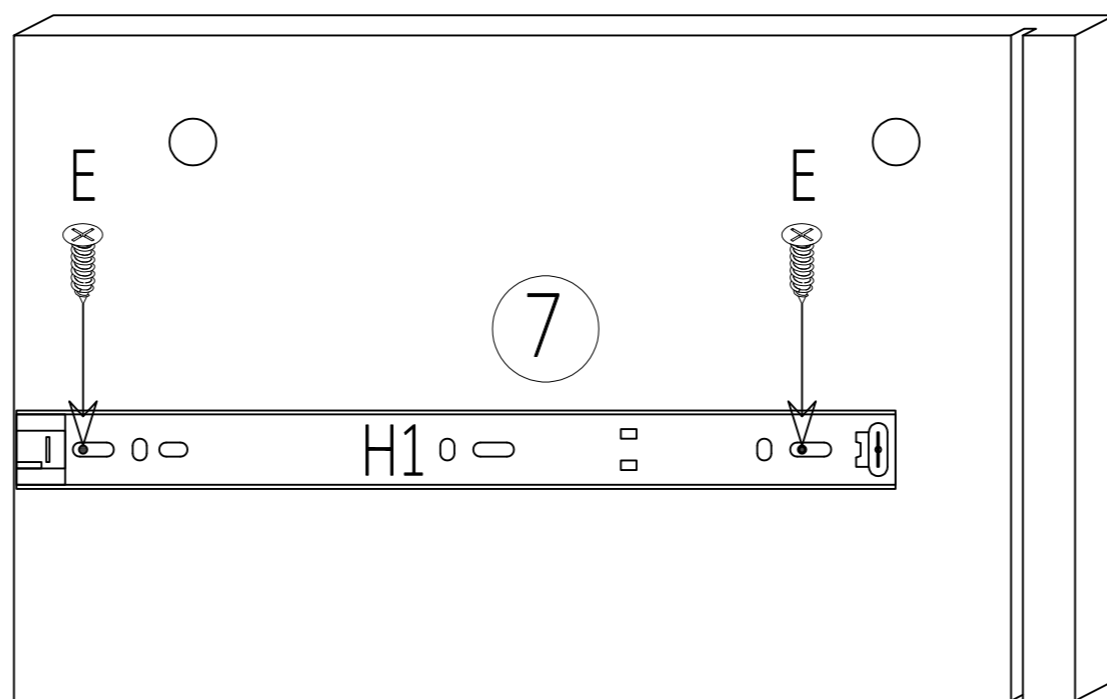


3

- E × 8 PCS
- H1 × 4 PCS

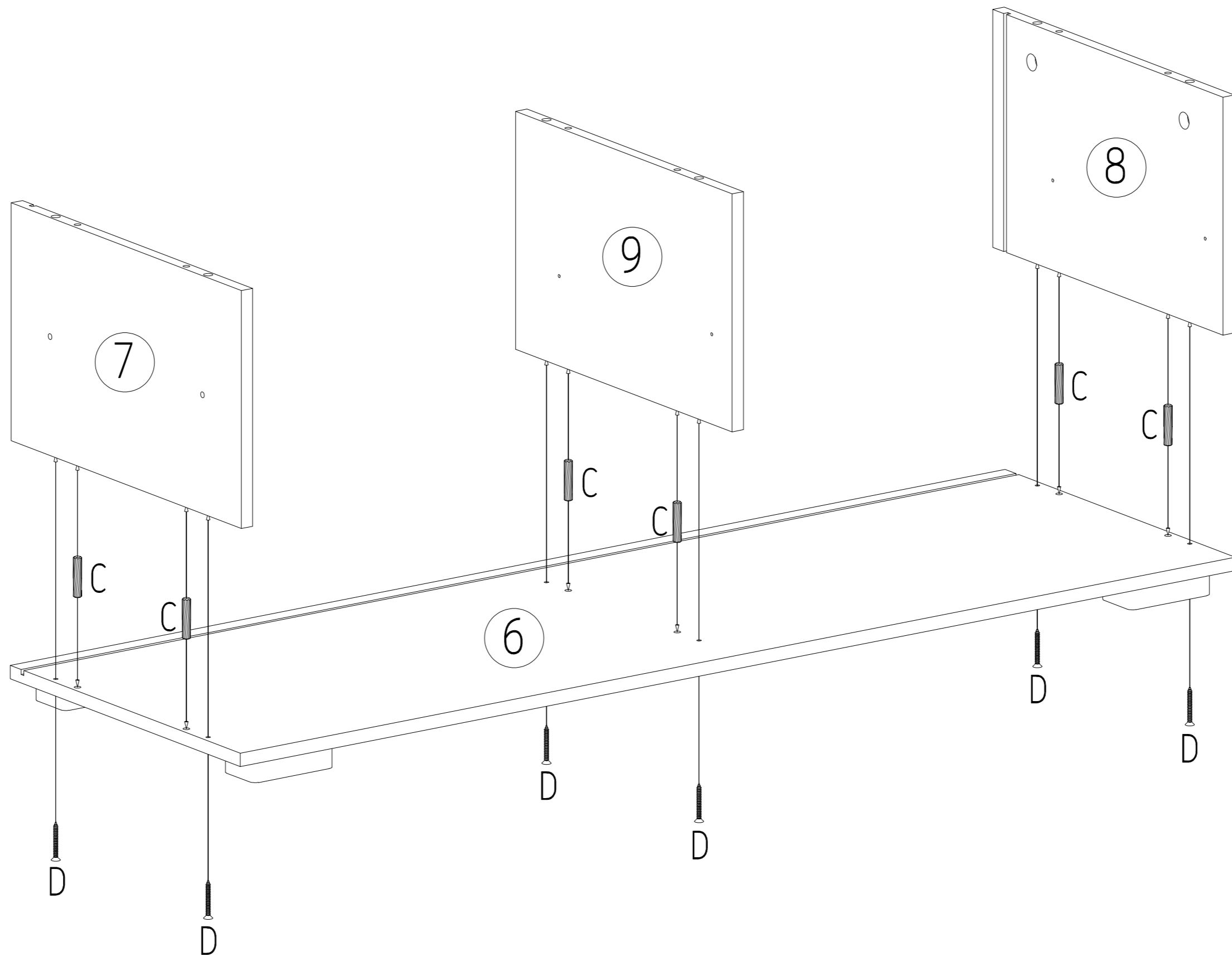


Remove H2 from H1 by pressing the catch as indicated in the drawing.

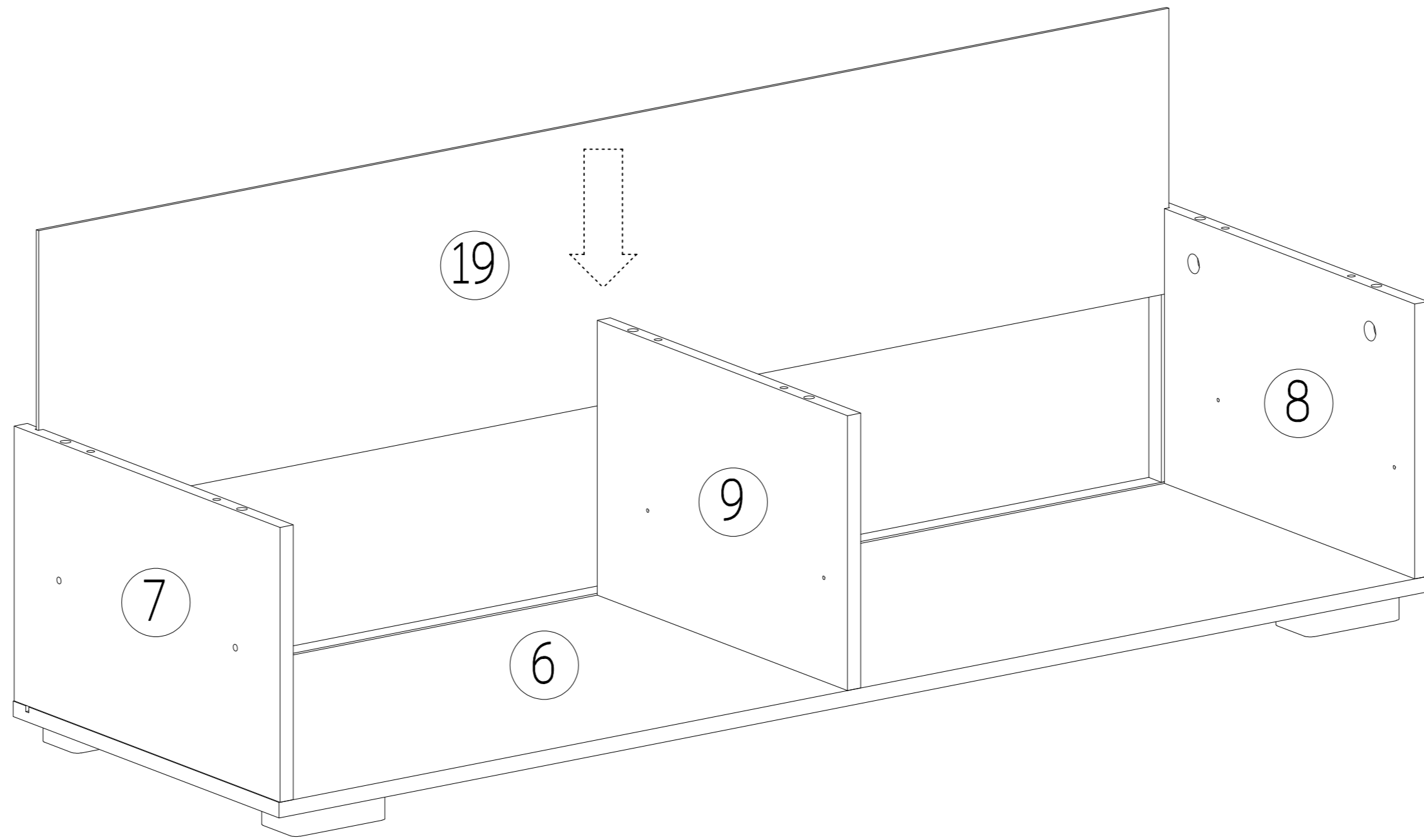


4

C x 6 PCS
D x 6 PCS

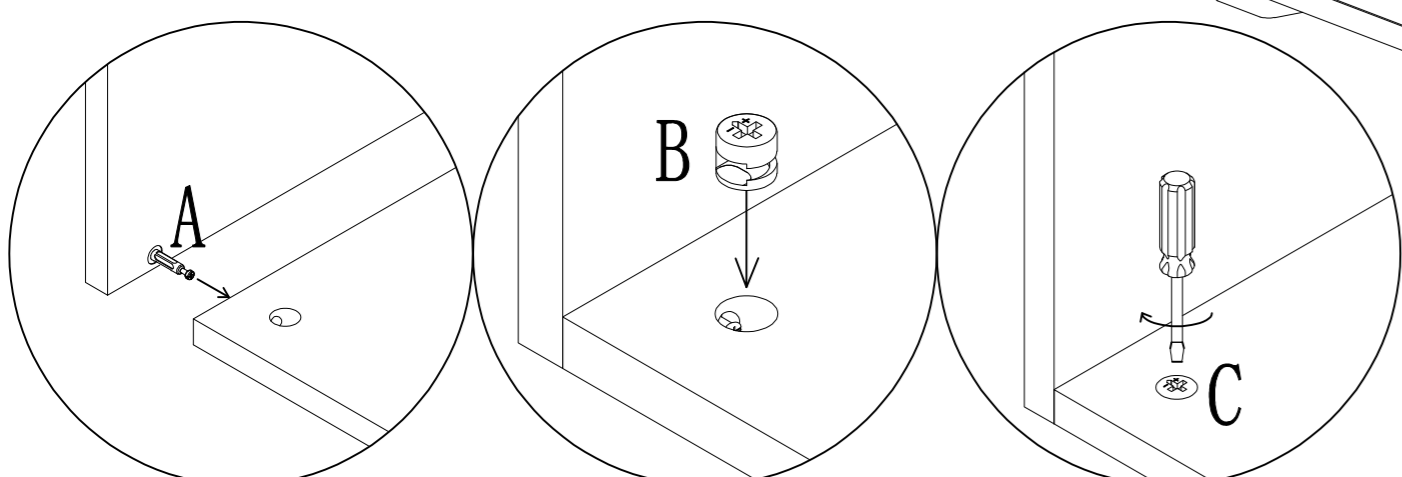
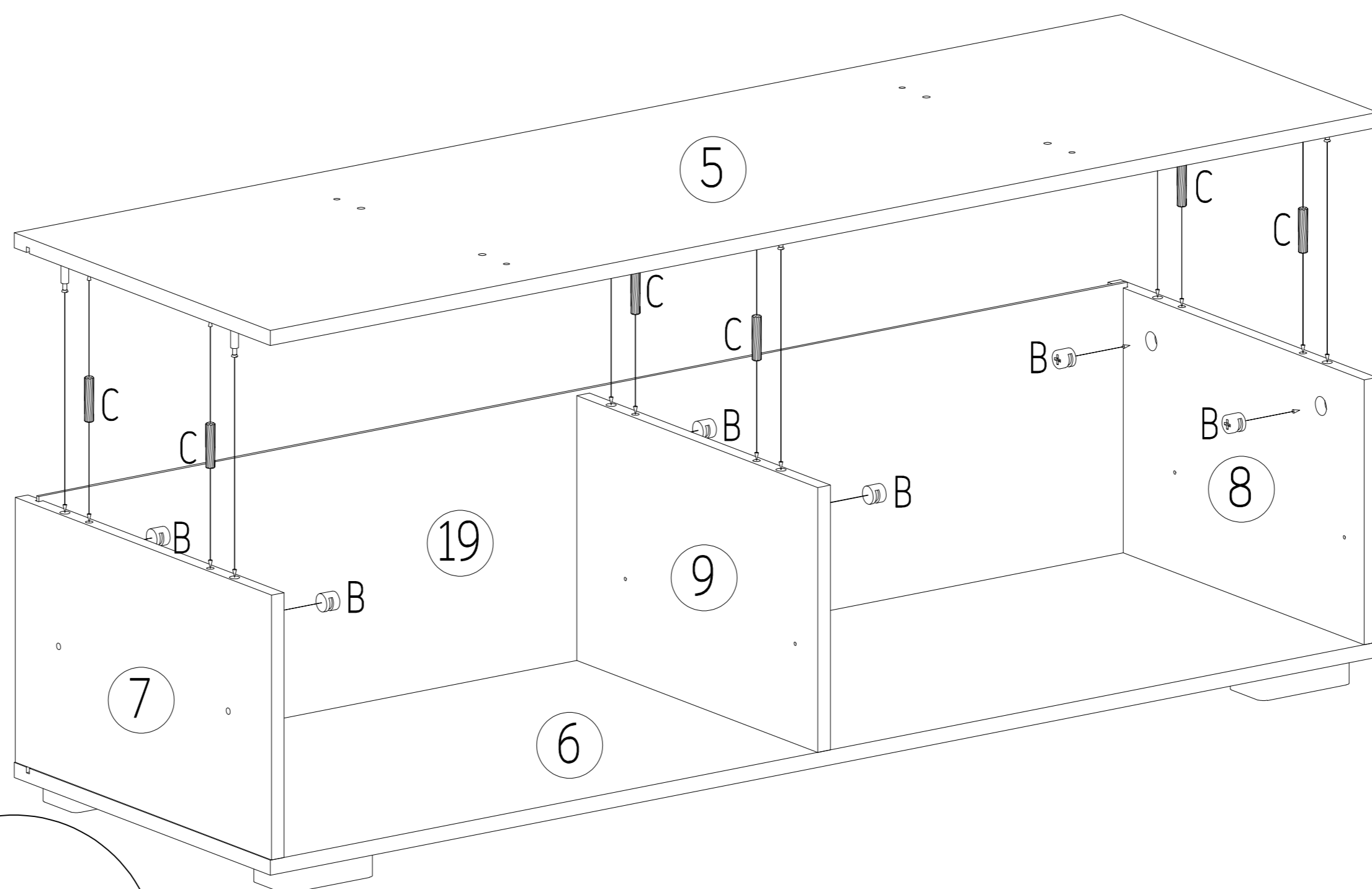


5



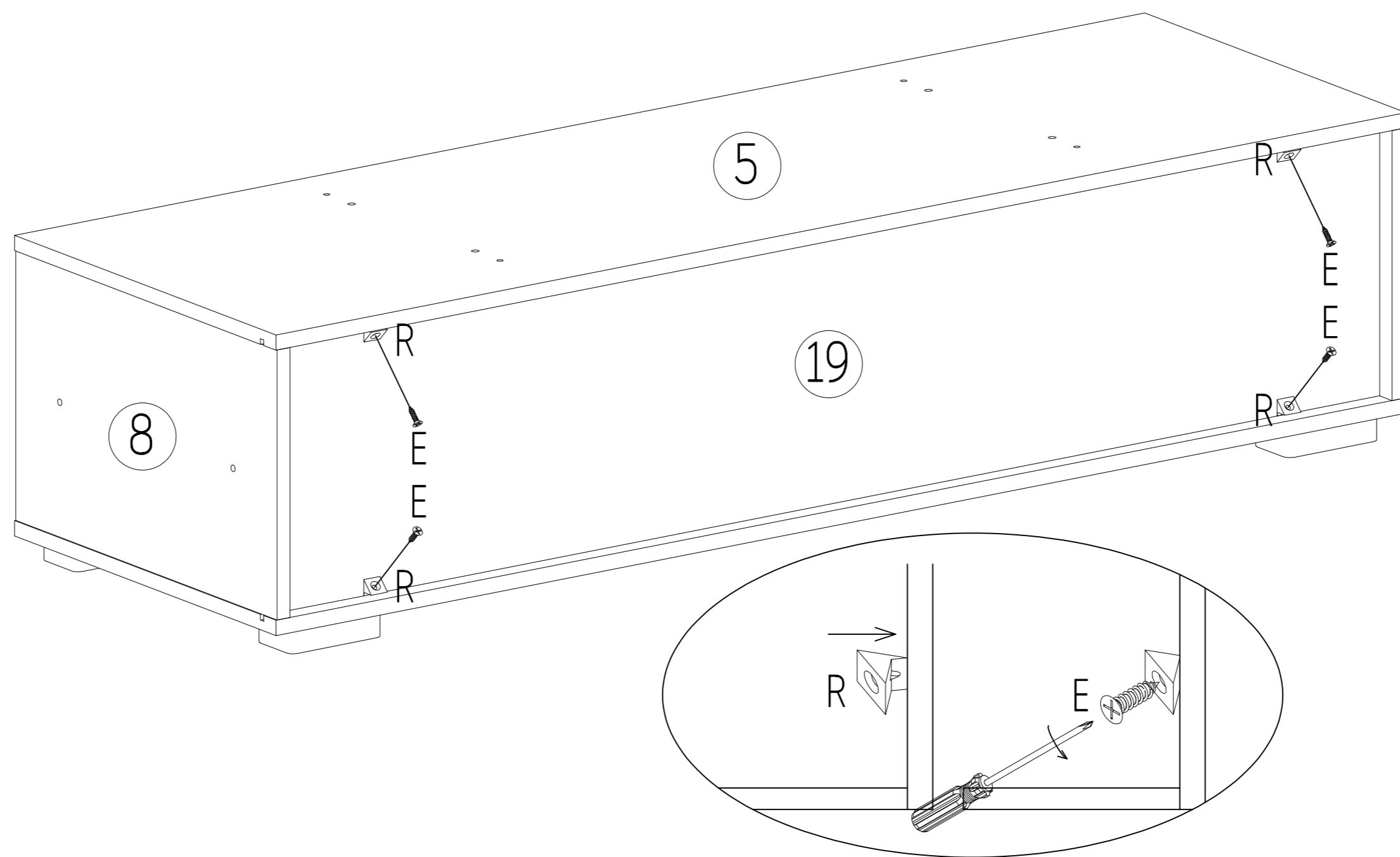
6

B x 6 PCS
C x 6 PCS



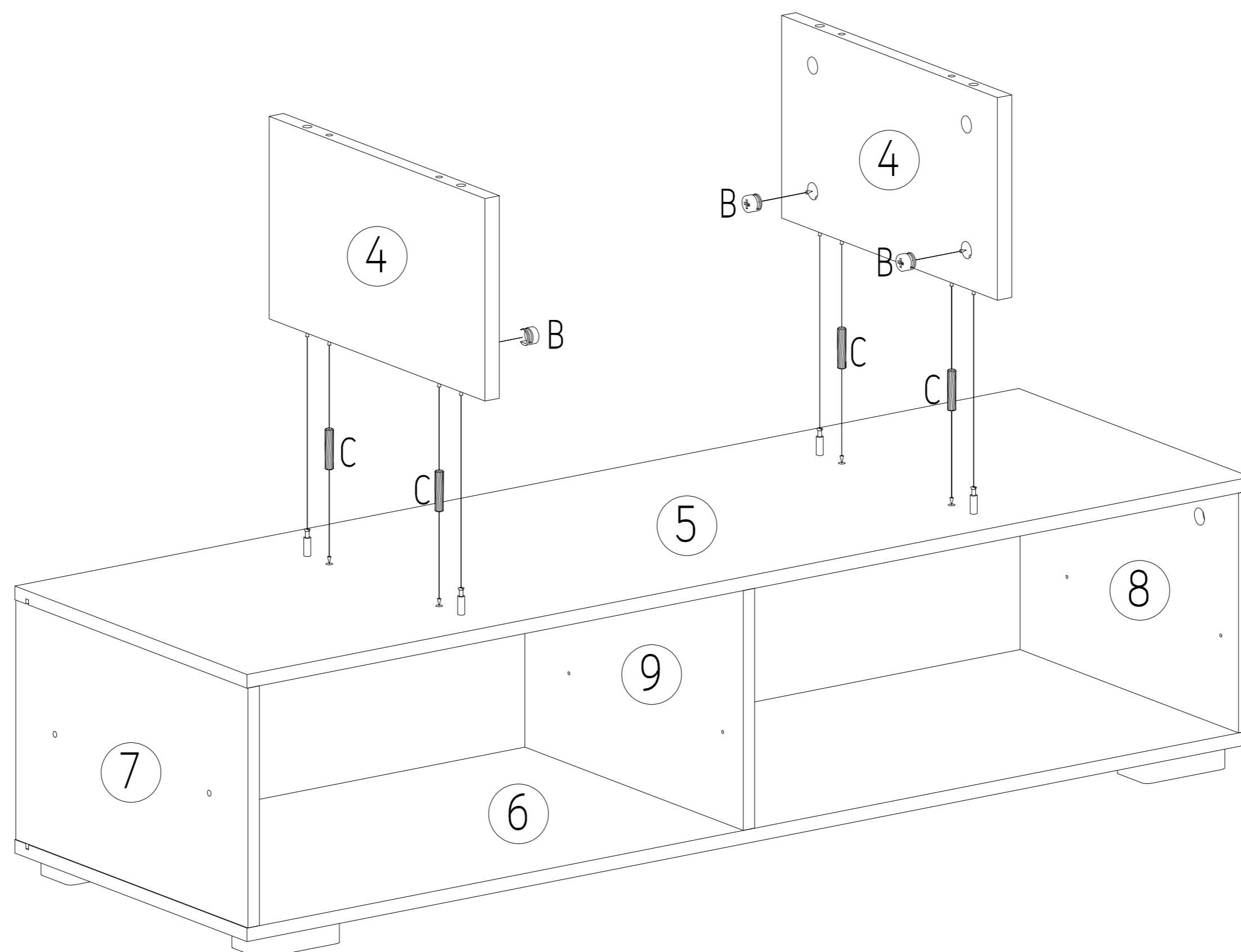
7

E x 4 PCS
R x 4 PCS



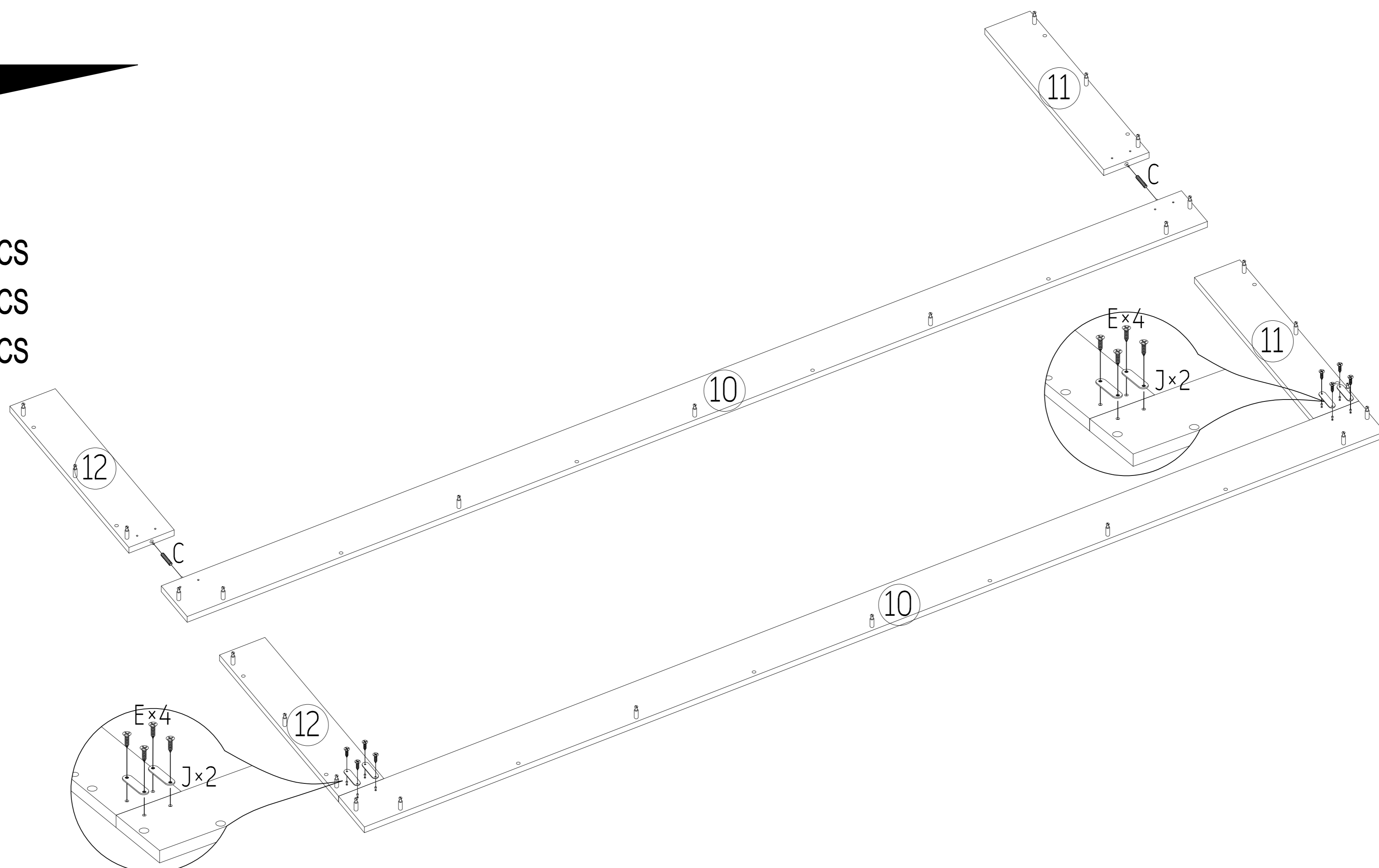
8

B x 4 PCS
C x 4 PCS



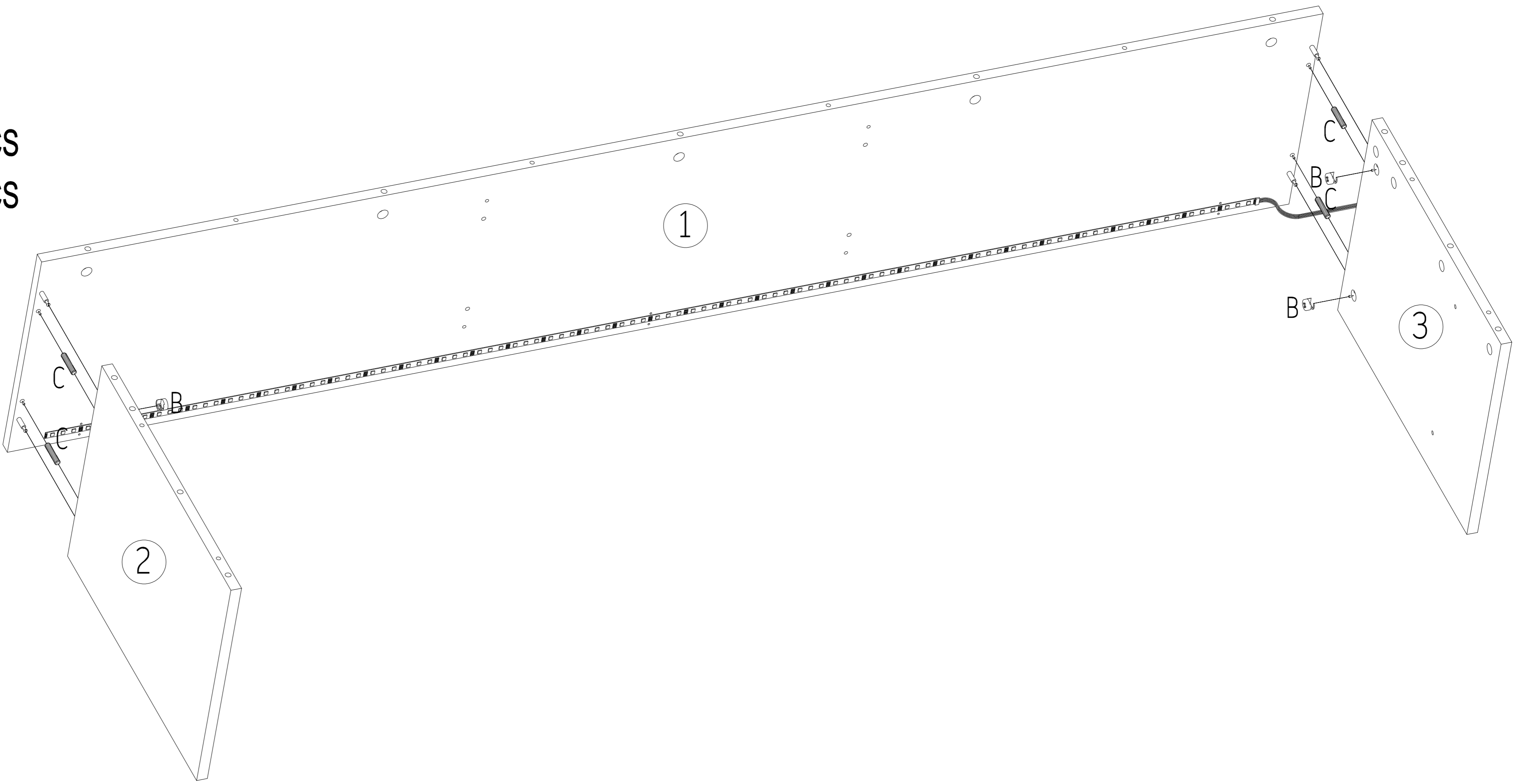
9

C x 2 PCS
E x 8 PCS
J x 4 PCS



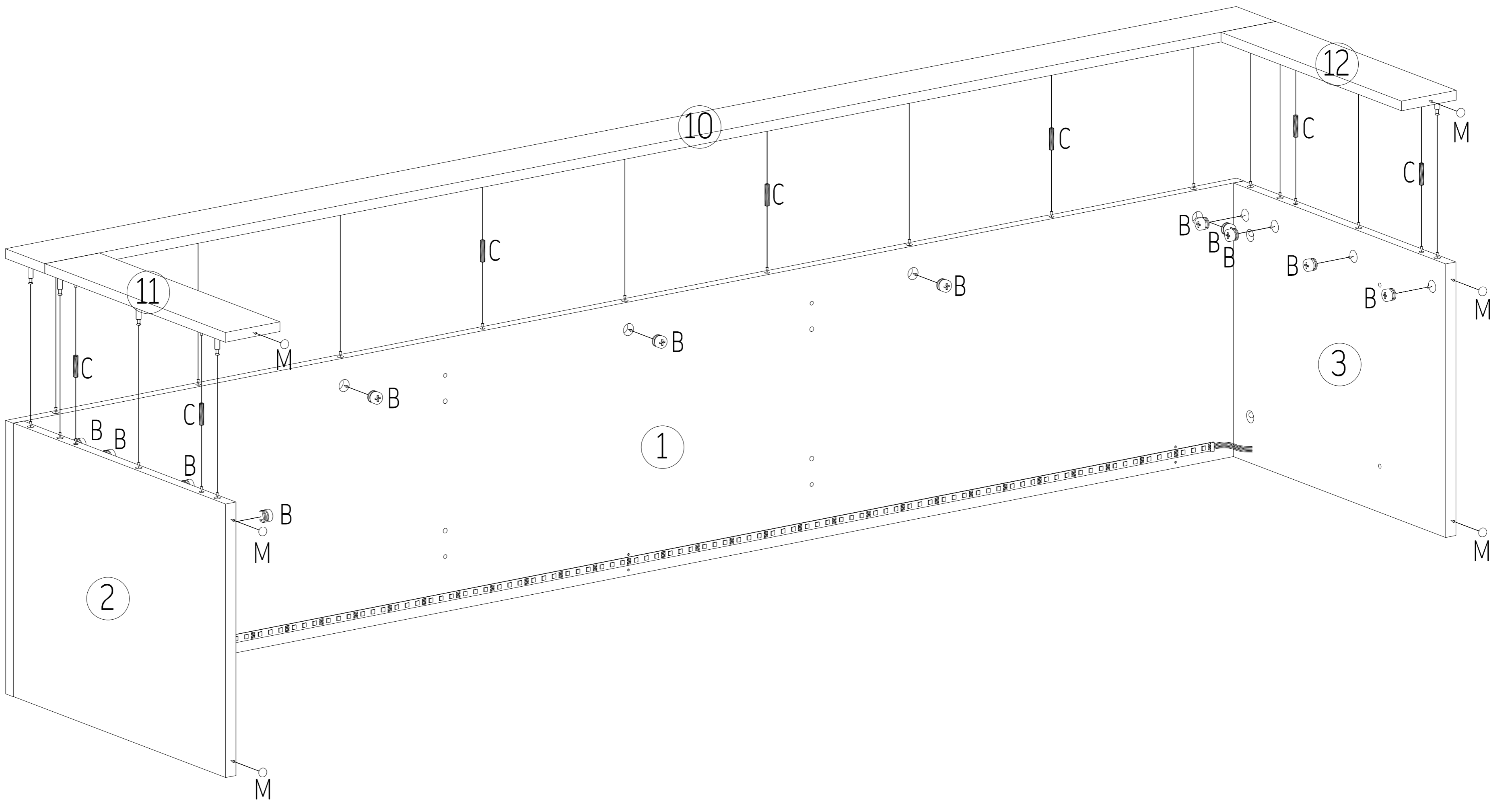
10

B x 4 PCS
C x 4 PCS



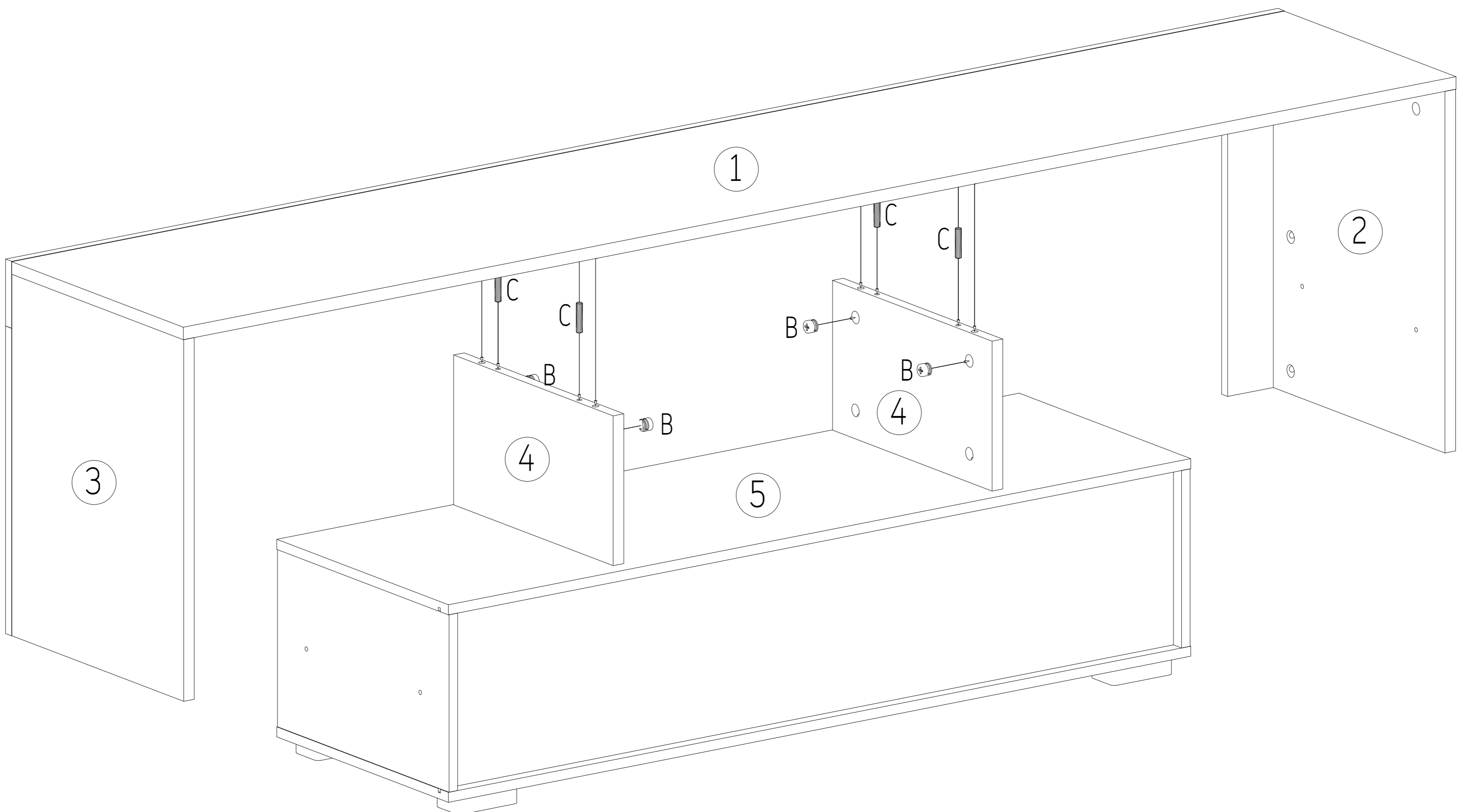
11

B x 13 PCS
C x 8 PCS
M x 6 PCS



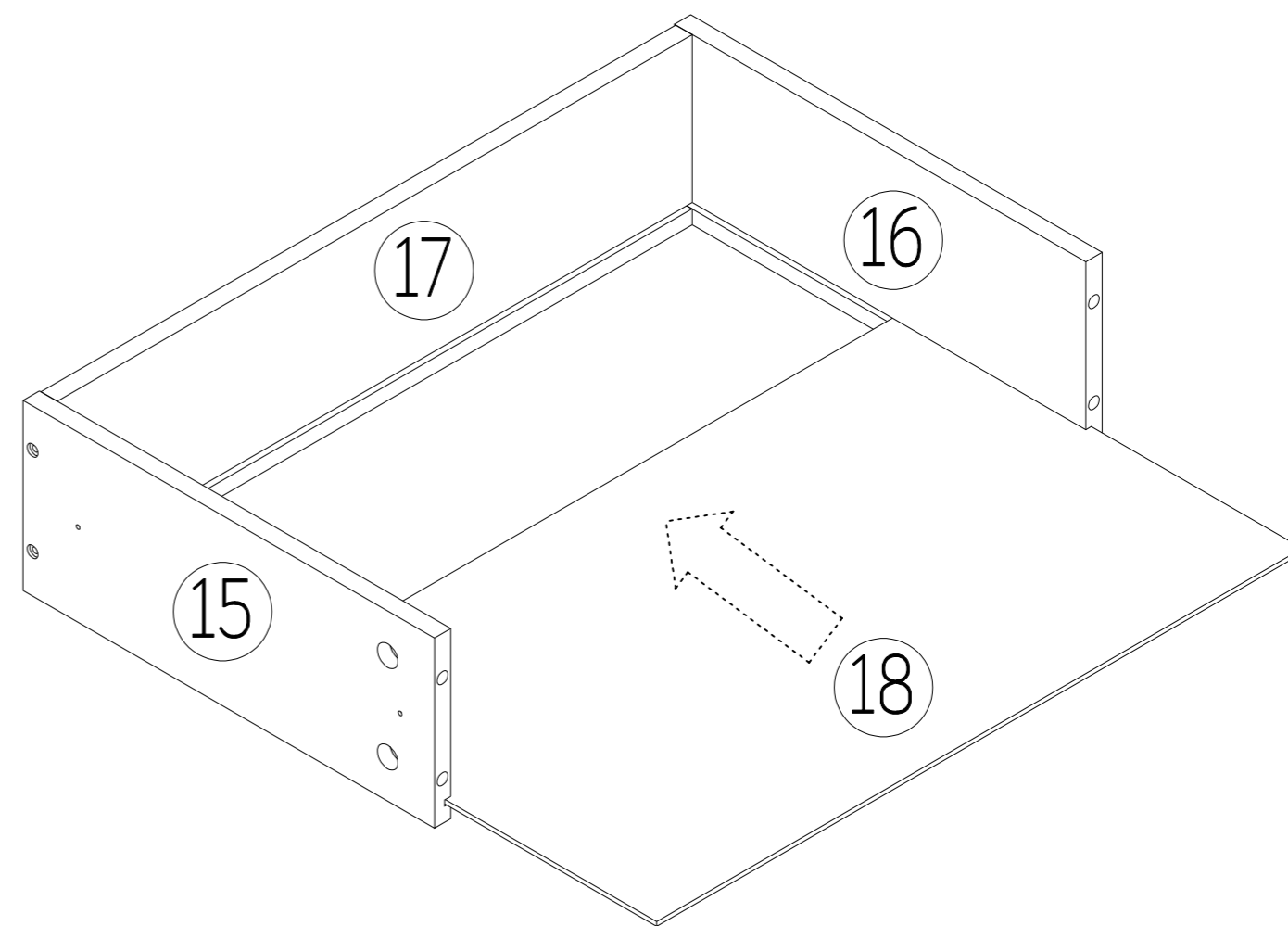
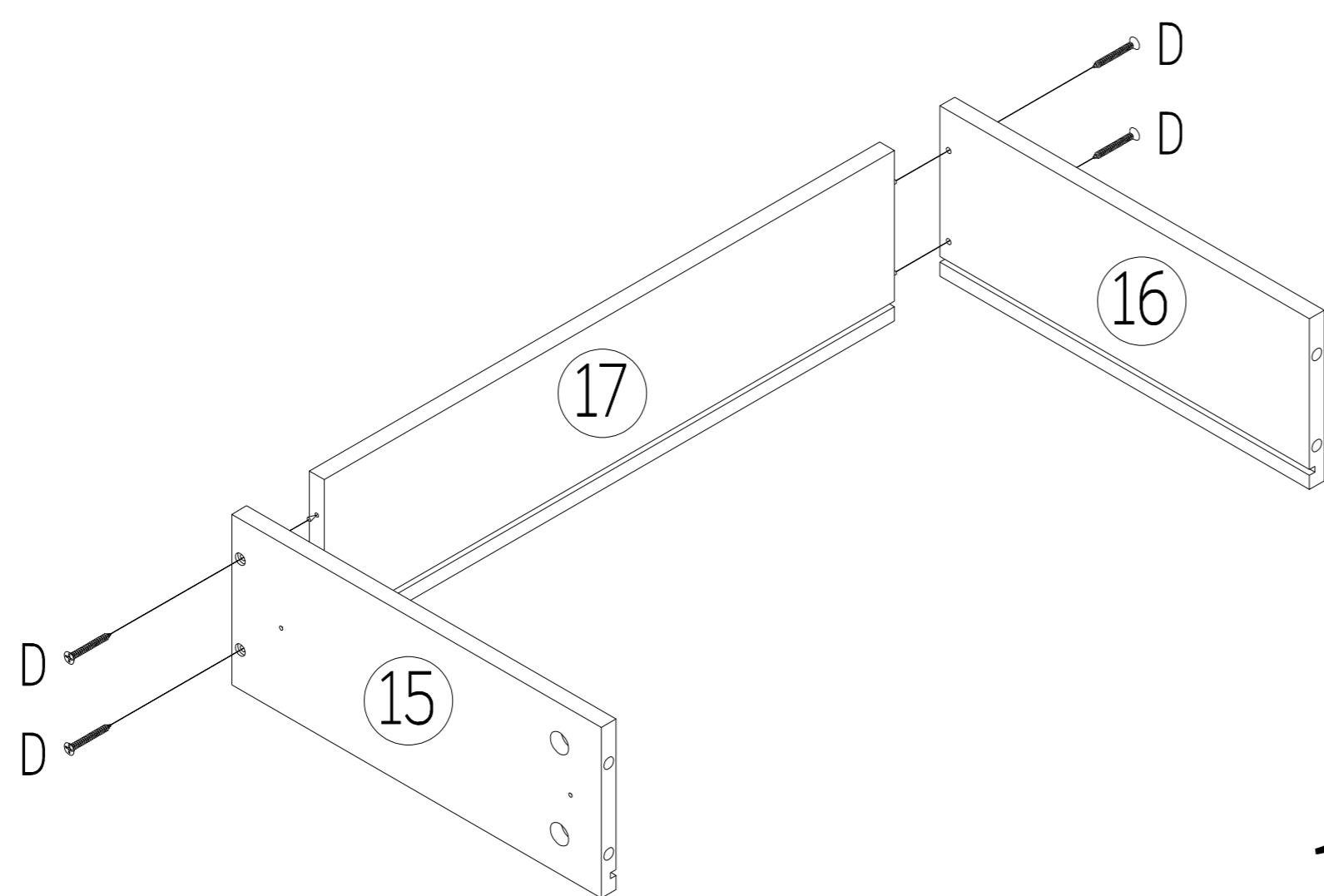
12

B x 4 PCS
C x 4 PCS

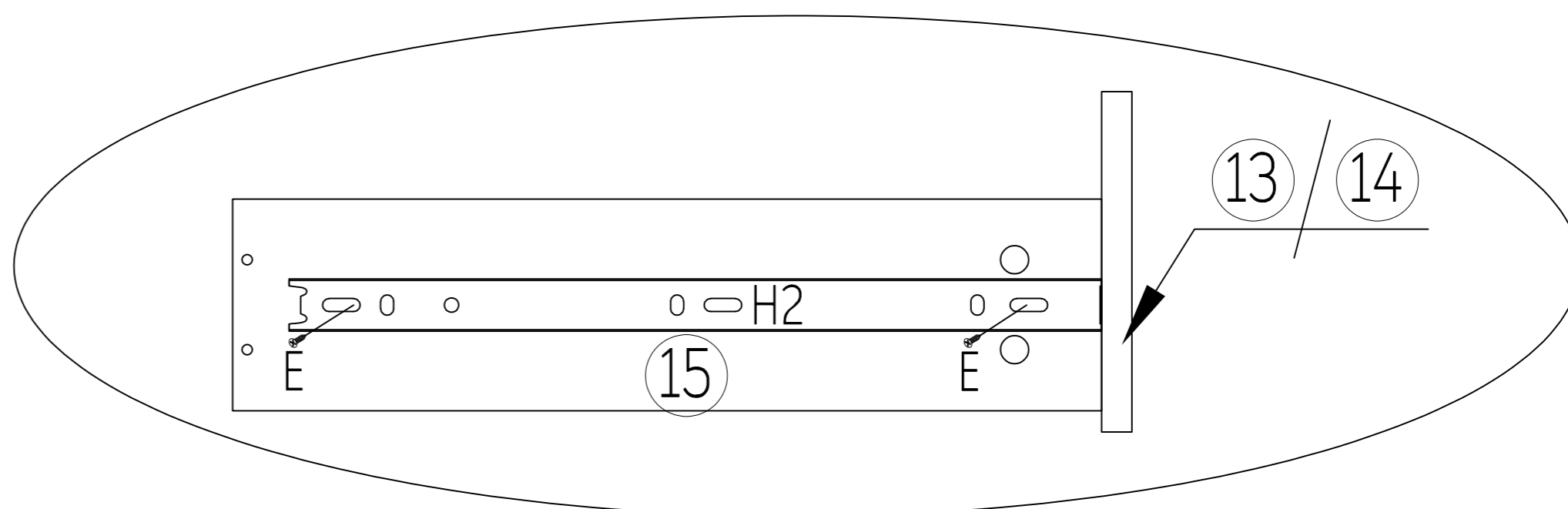
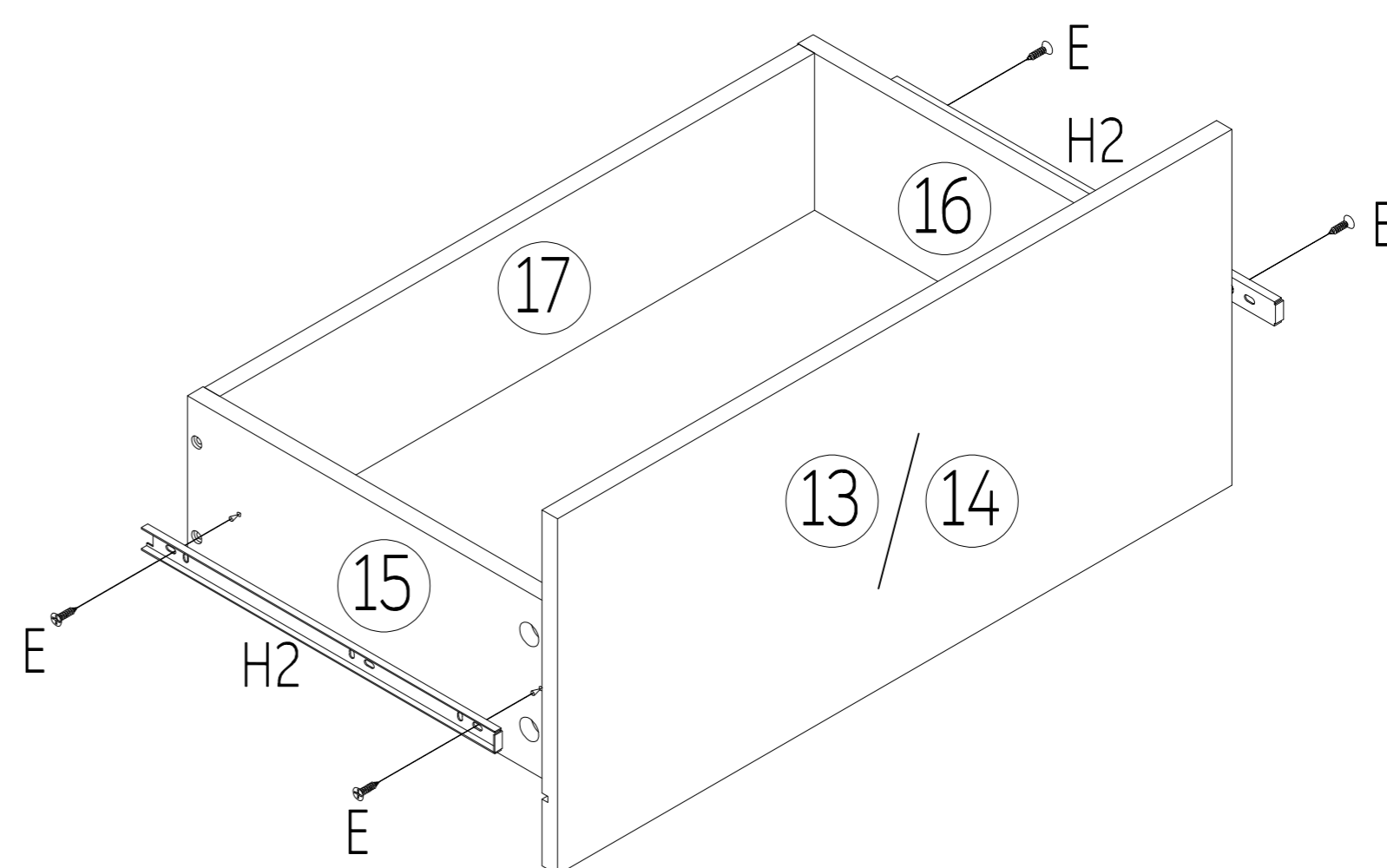
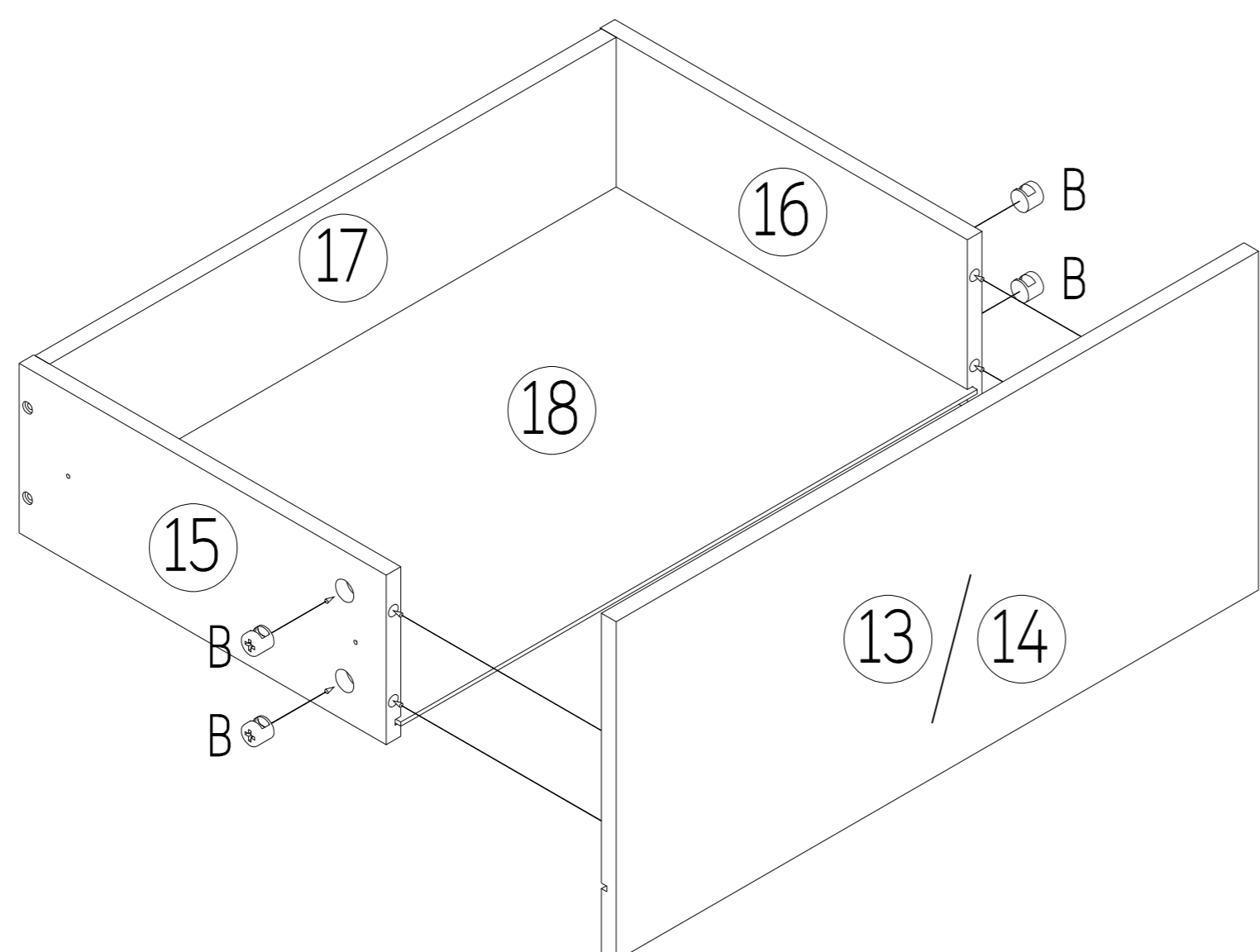


13

- B x 8 PCS
- D x 8 PCS
- E x 8 PCS
- H2 x 4 PCS

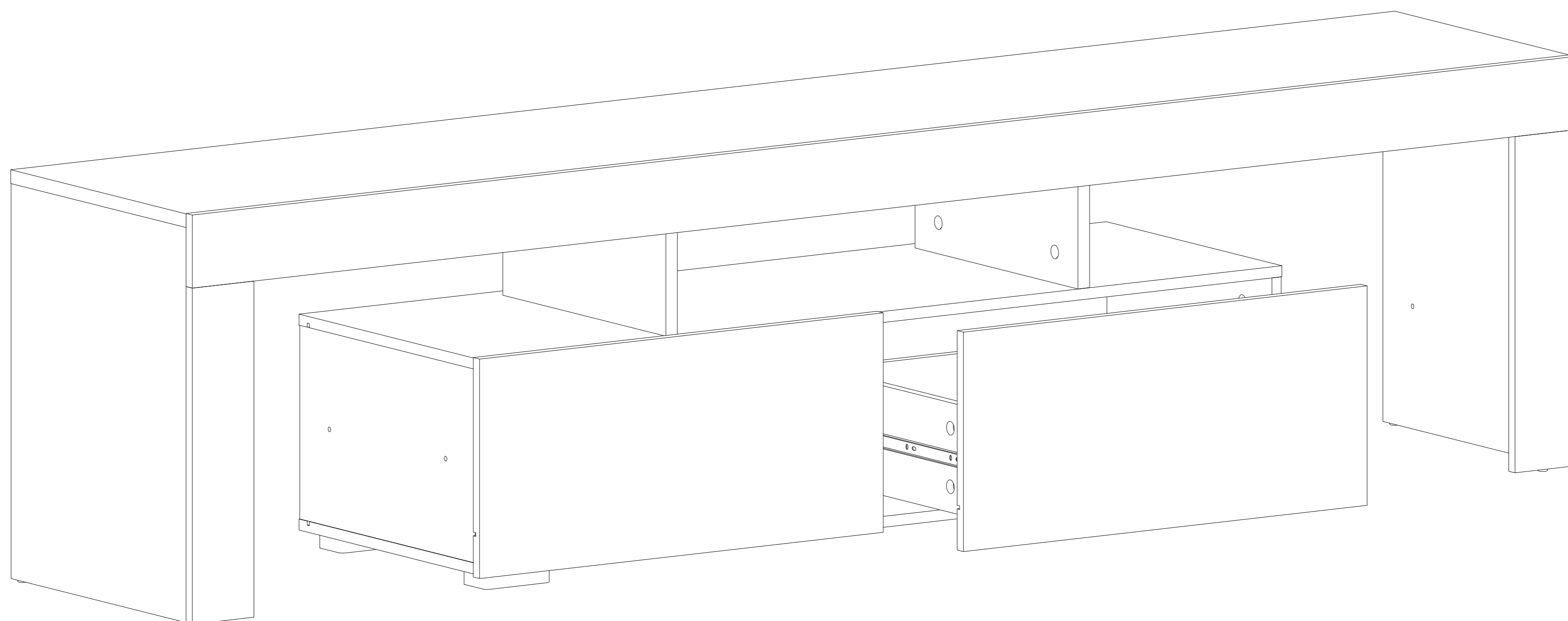
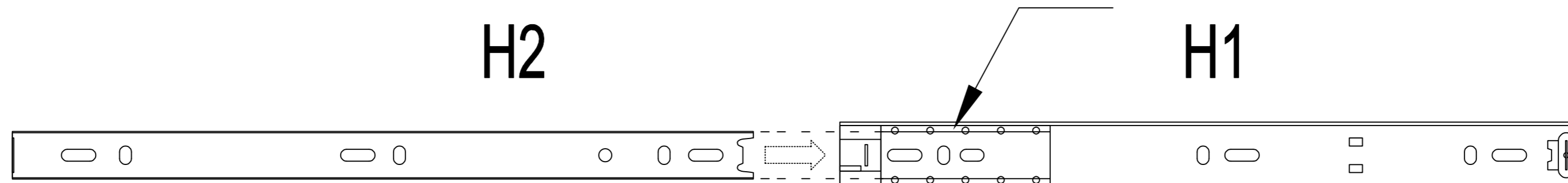


1 2
3 4



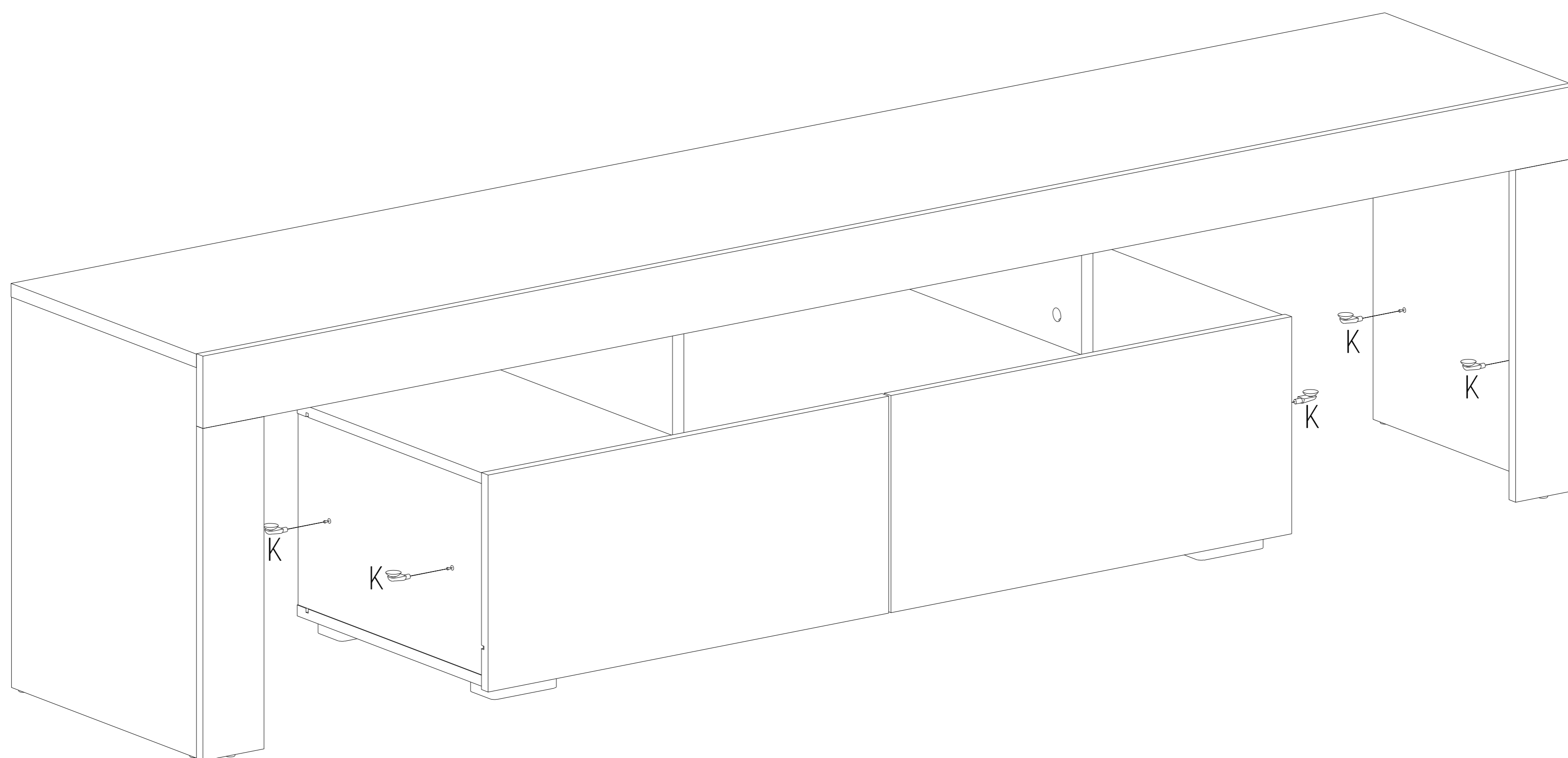
14

Before assembling the drawer, ensure that the pulley of the slide rail is located at the front end of the slide rail

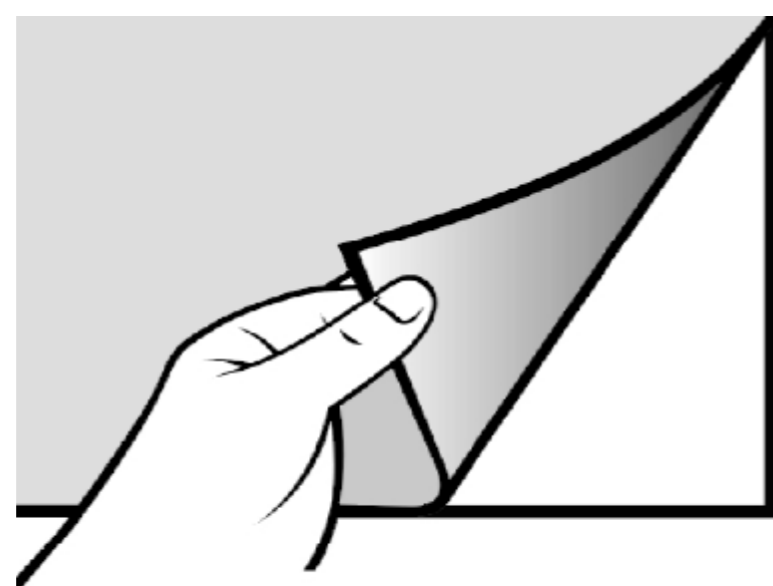


15

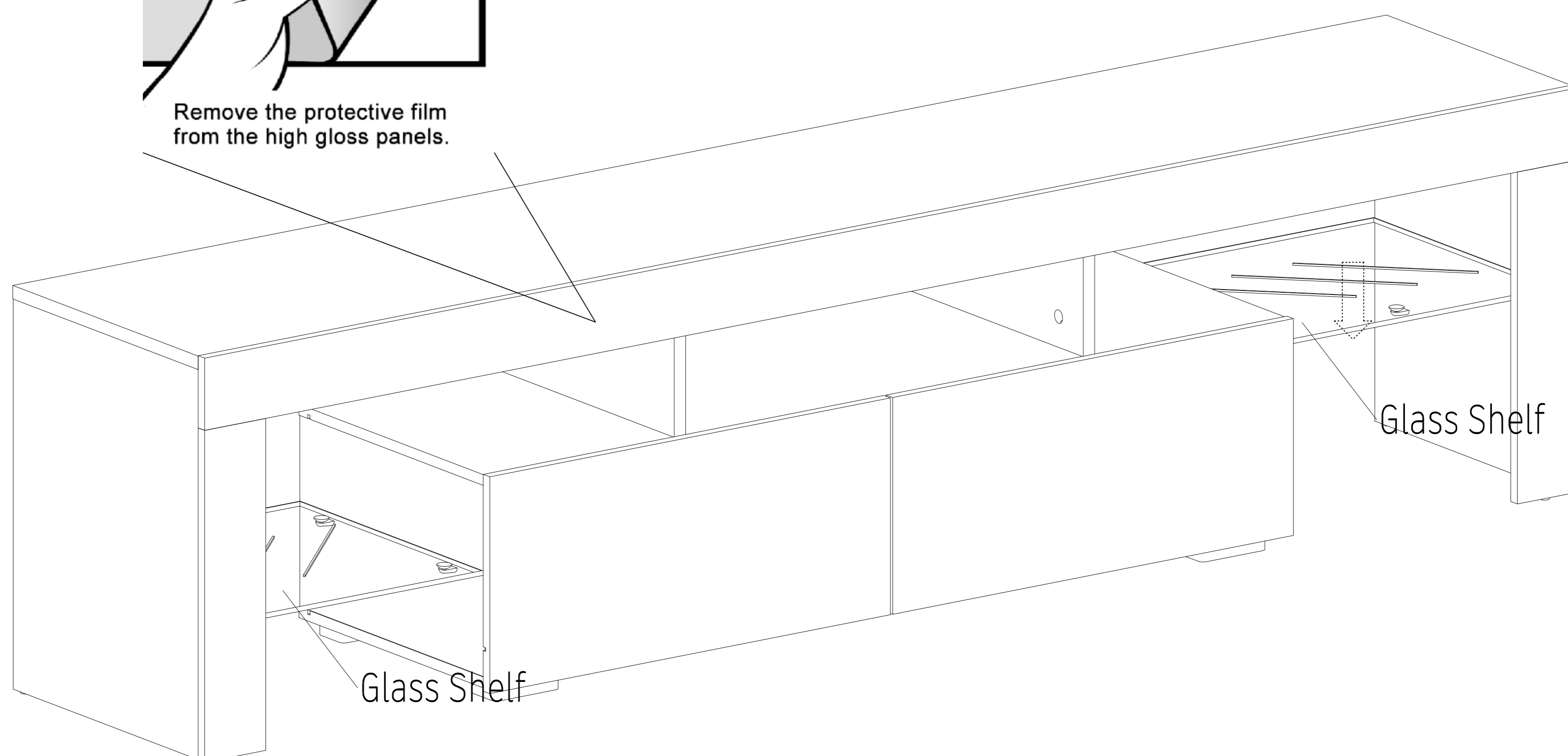
K x 8 PCS



16



Remove the protective film from the high gloss panels.



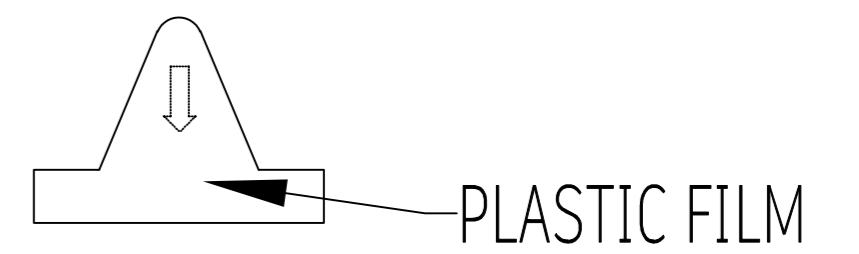
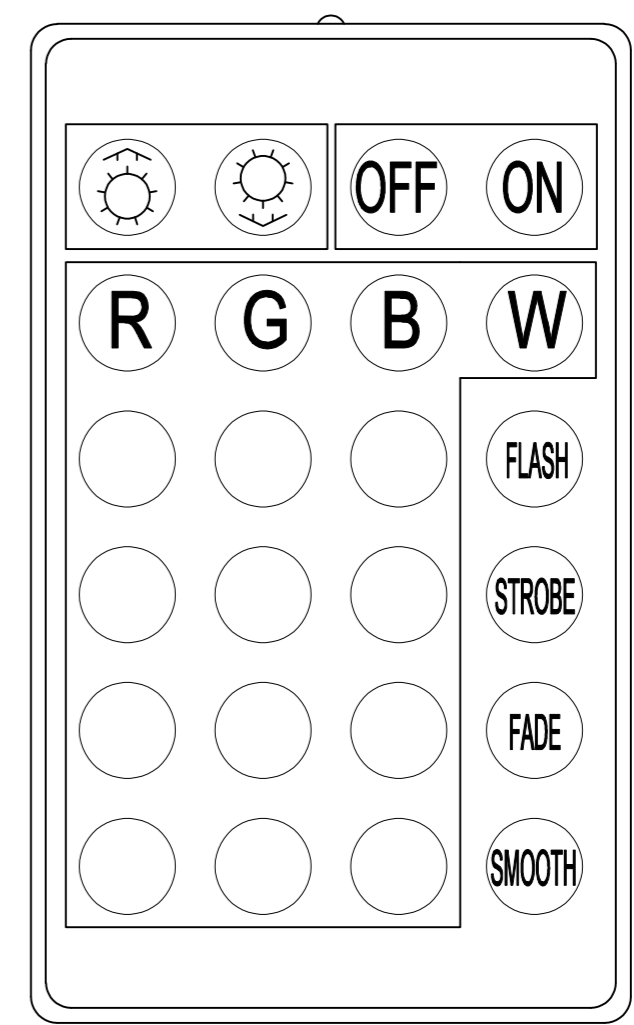
WARNING

	<p>Children have been killed by furniture tip-overs. To reduce the risk of such hazards, please observe the following:</p> <ul style="list-style-type: none"> • Always install an anti-tipping device and restraint provided. • Never place a TV on top of this product. • Never allow children to stand, climb or hang on drawers, doors or shelves. • Never open more than one drawer at a time. • Place the heaviest items on the lowest shelves or drawers.

LED LIGHTS TROUBLESHOOTING

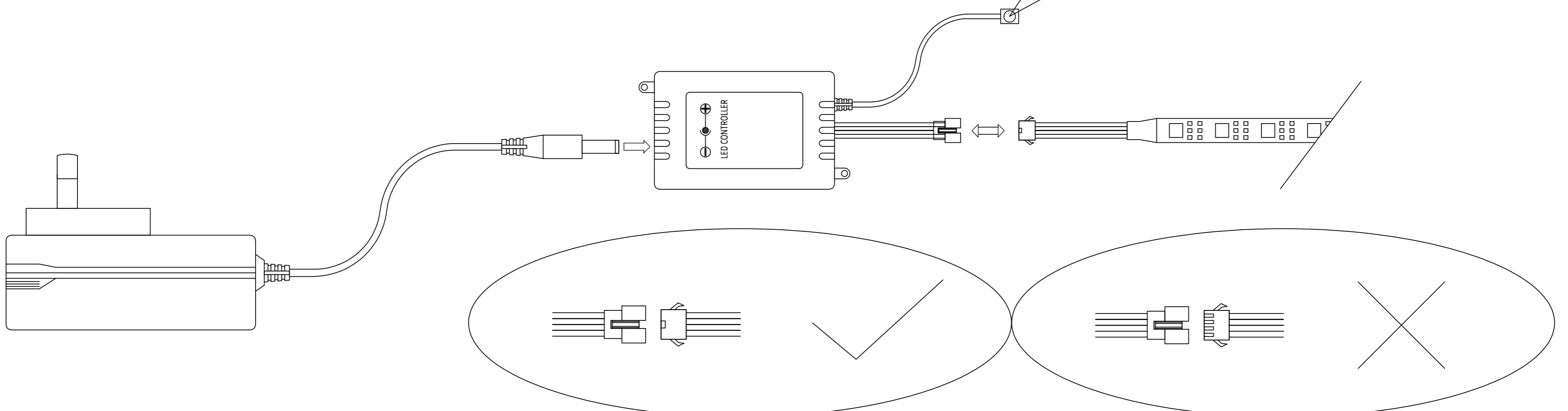
If the LED lights are not working successfully, please check the following:

1. Check the facing of the connectors and ensure that they are as shown in the illustration.
2. Check the remote controller. Remove the plastic film before use.
3. Make sure that the remote controller is within the range of the receiver, and that the transmission signal is not obstructed.



Remove the plastic film from the remote controller.

Please do not block the infrared receiver.



Check the facing of the connectors and ensure that they are aligned correctly.