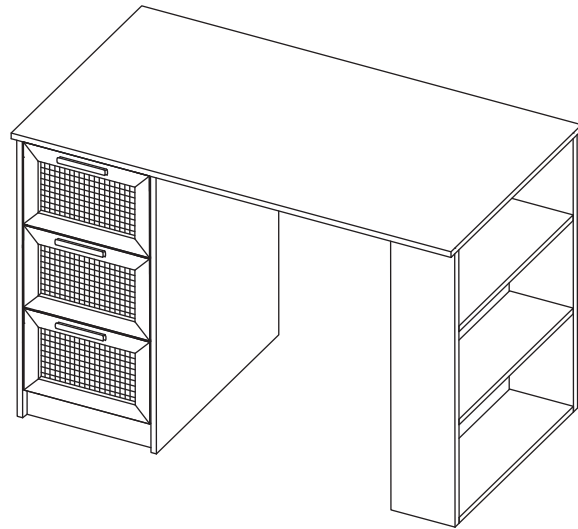




COMPUTER DESK

MODEL: DK-A22-RAT-WD



ASSEMBLY INSTRUCTIONS

Please read instructions carefully before assembly.



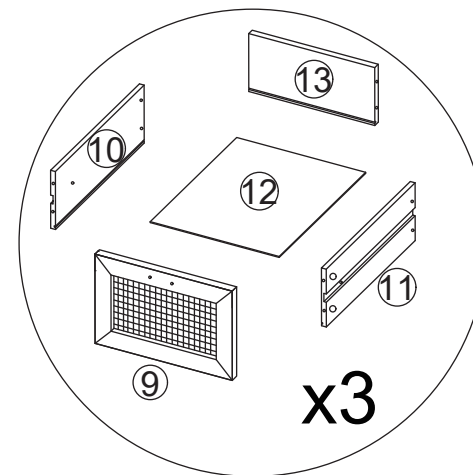
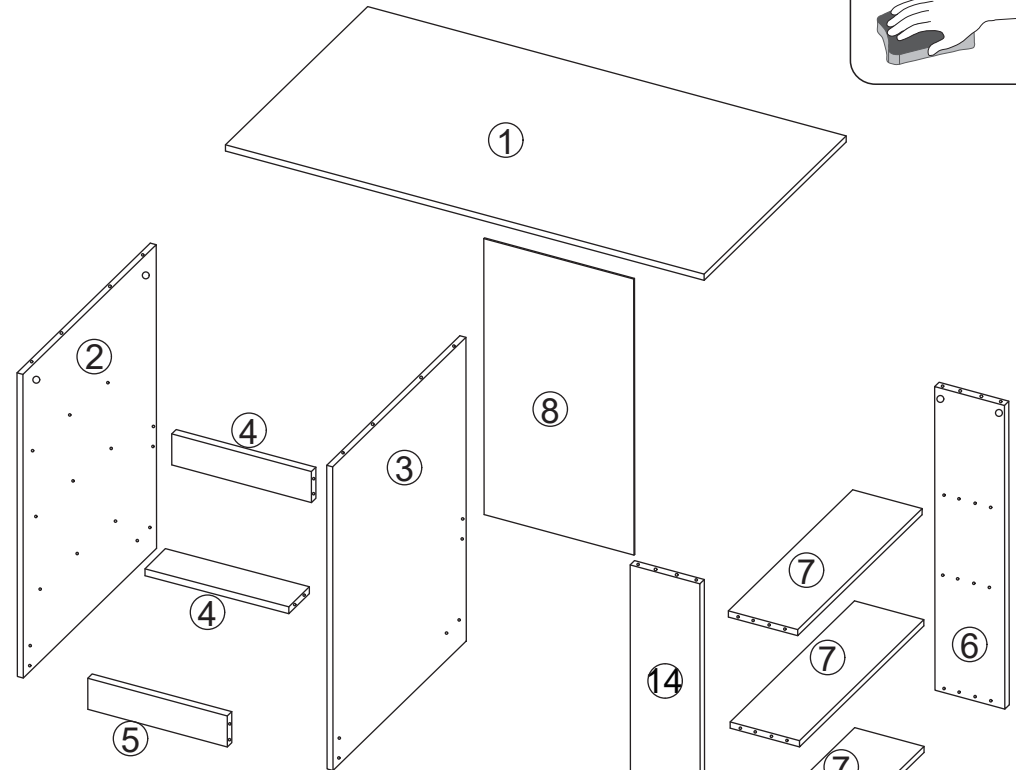
Two persons and tools required for assembly

HARDWARE

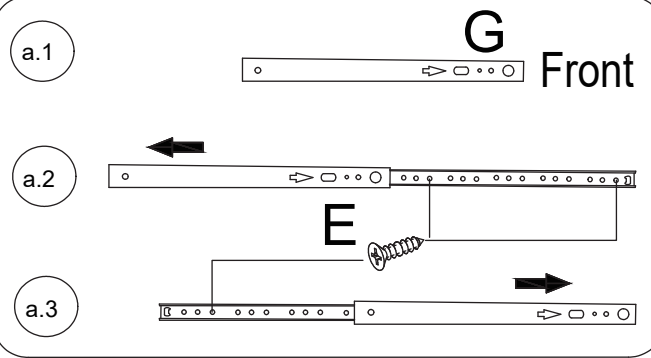
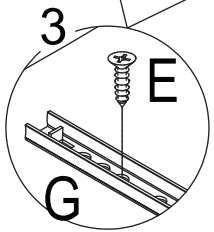
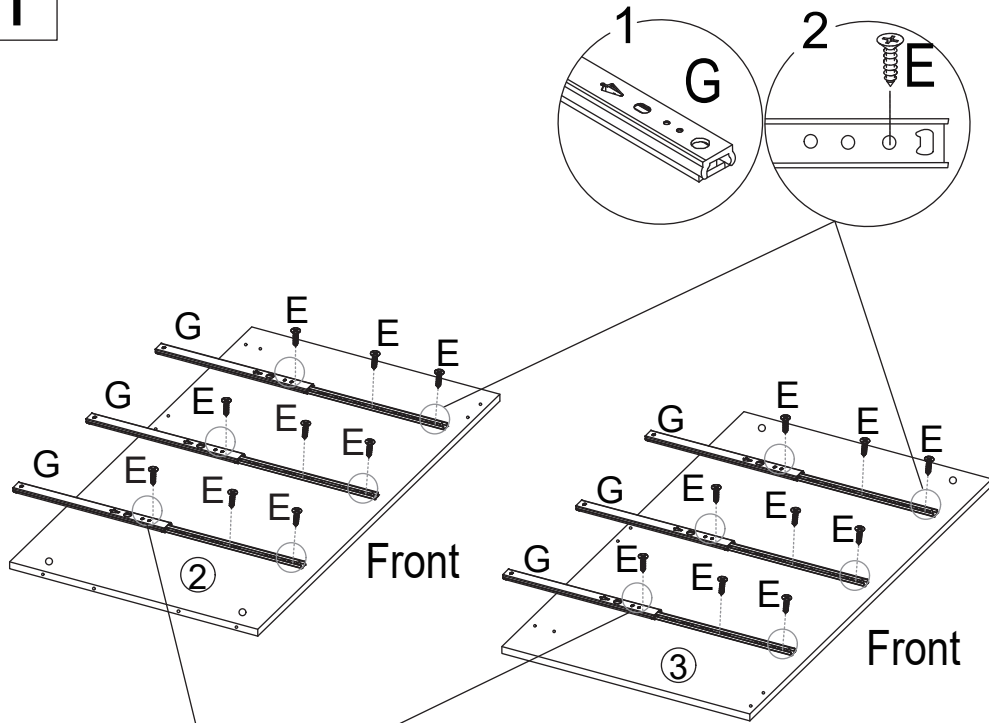
A	x26	B	x14	C	x20	D	X30	E	x18	F	x18
7x35mm		15x12mm		Ø6x30mm		M4x40mm		M3x12mm			
G	x6	H	x12	I	x8	J	X13	K	x12	L	x6
		12x10mm						M3x14mm		M4x10mm	
M	X6	N	X3	O	x1	P	x1	Q	x1	R	x1
M4x18mm								M4x30mm		M4x14mm	

PARTS

Wipe with dry cloths

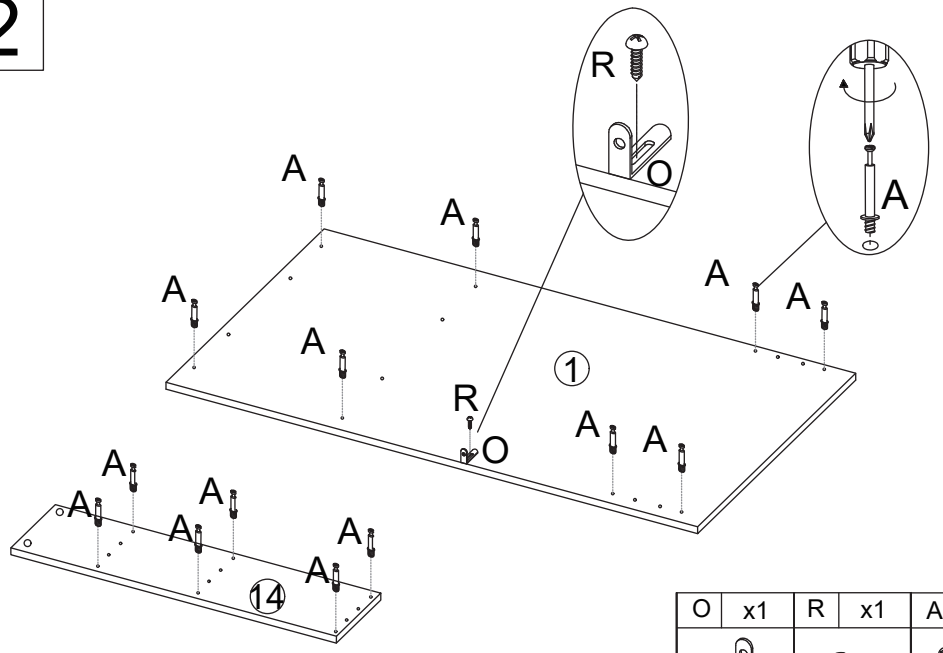


1



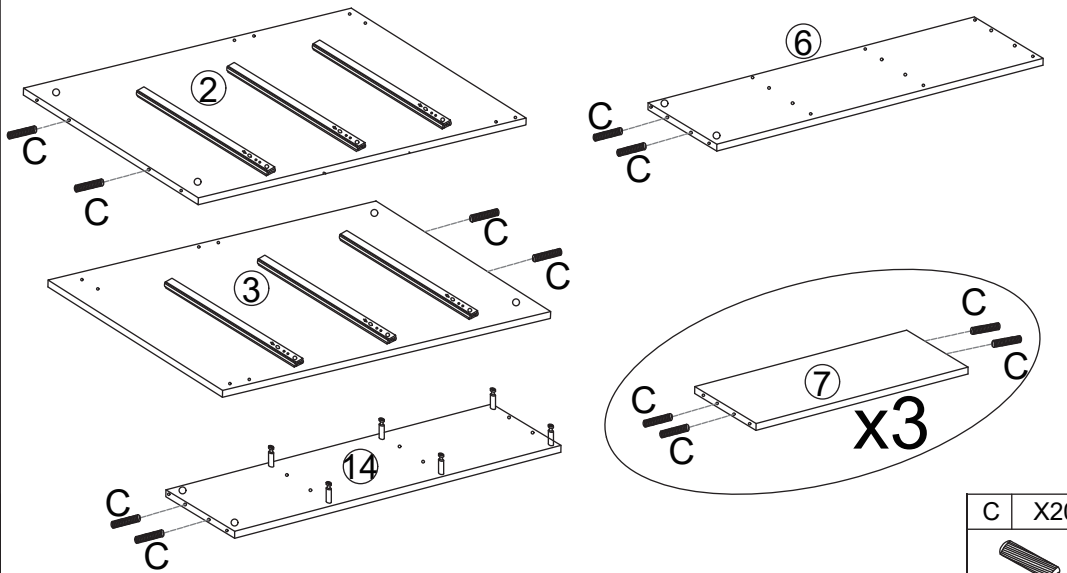
E	X18	G	x6
M3x12mm			

2



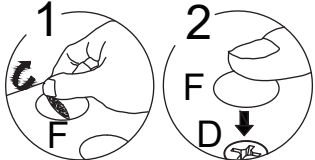
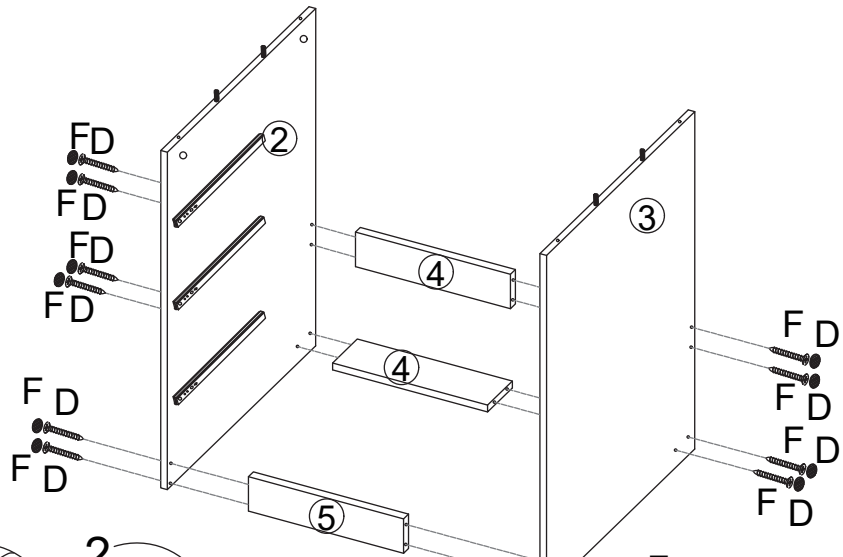
O	x1	R	x1	A	x14
		M4x14mm		7x35mm	

3



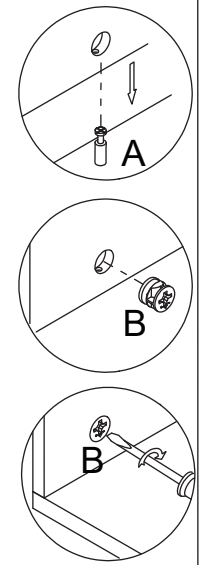
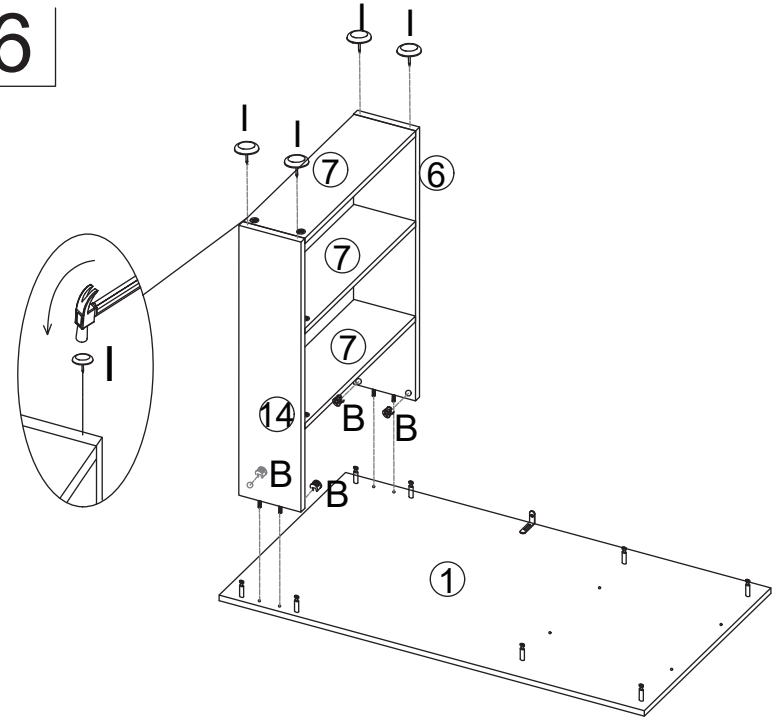
C	X20
Ø6x30mm	

4



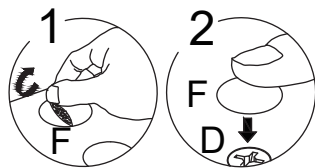
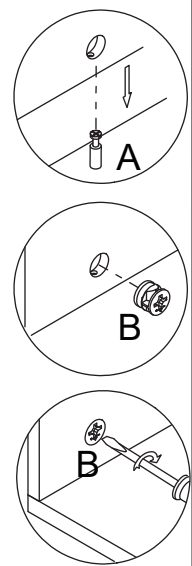
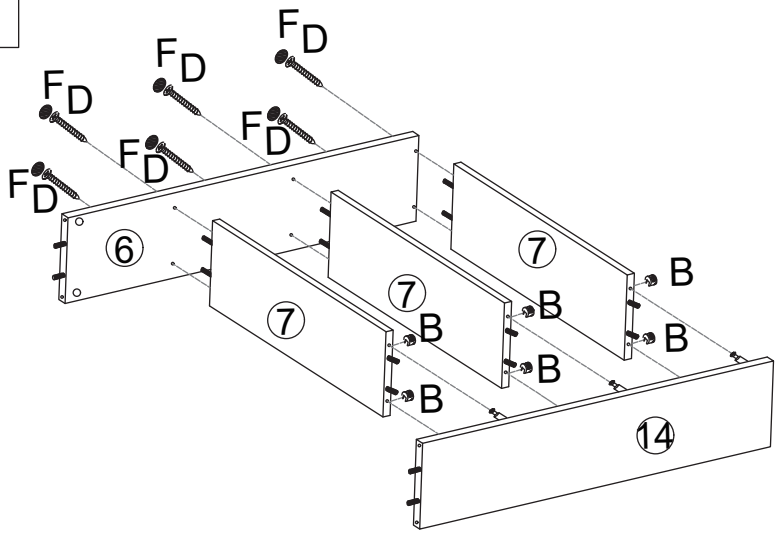
D	x12	F	x12
M4x40mm			

6



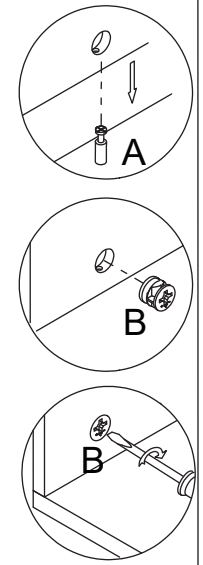
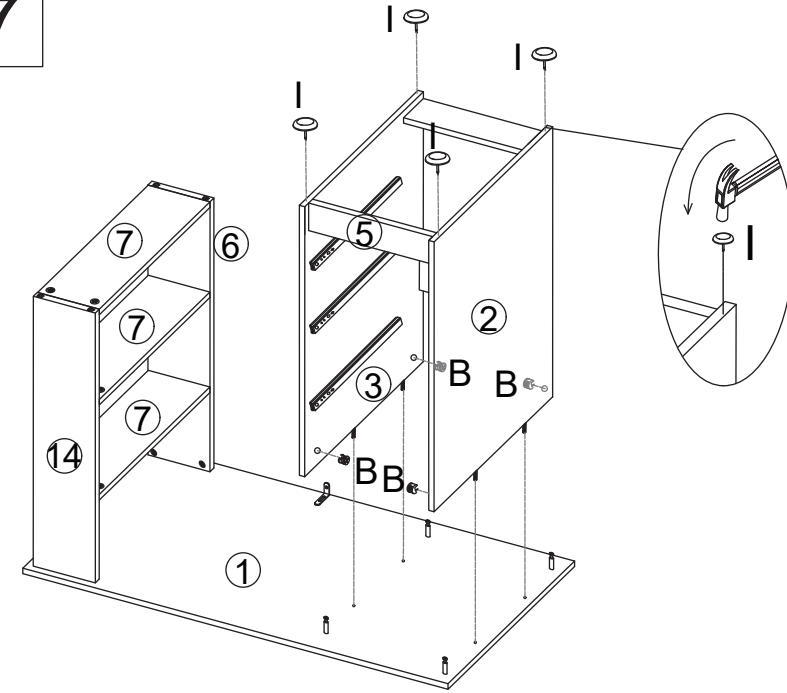
I	x4	B	x4
15x12mm			

5



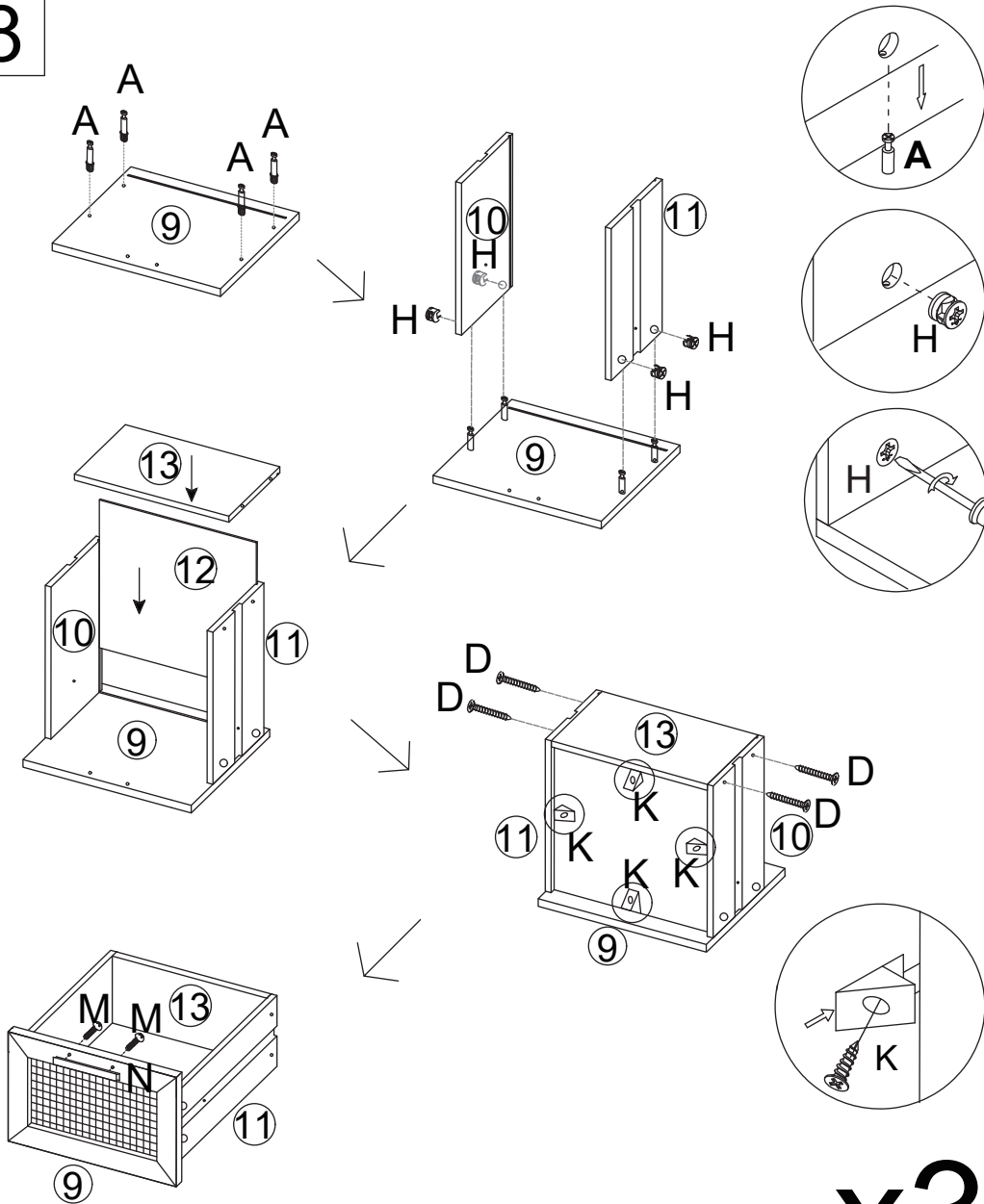
B	x6	D	x6	F	x6
15x12mm		M4x40mm			

7



I	x4	B	x4
15x12mm			

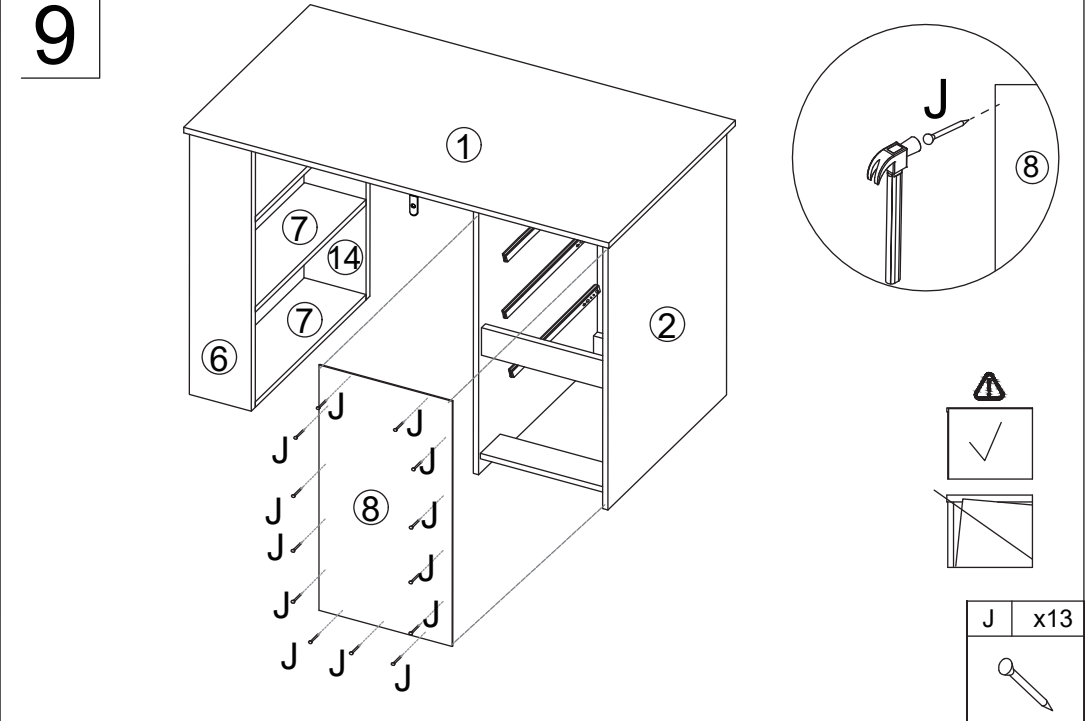
8



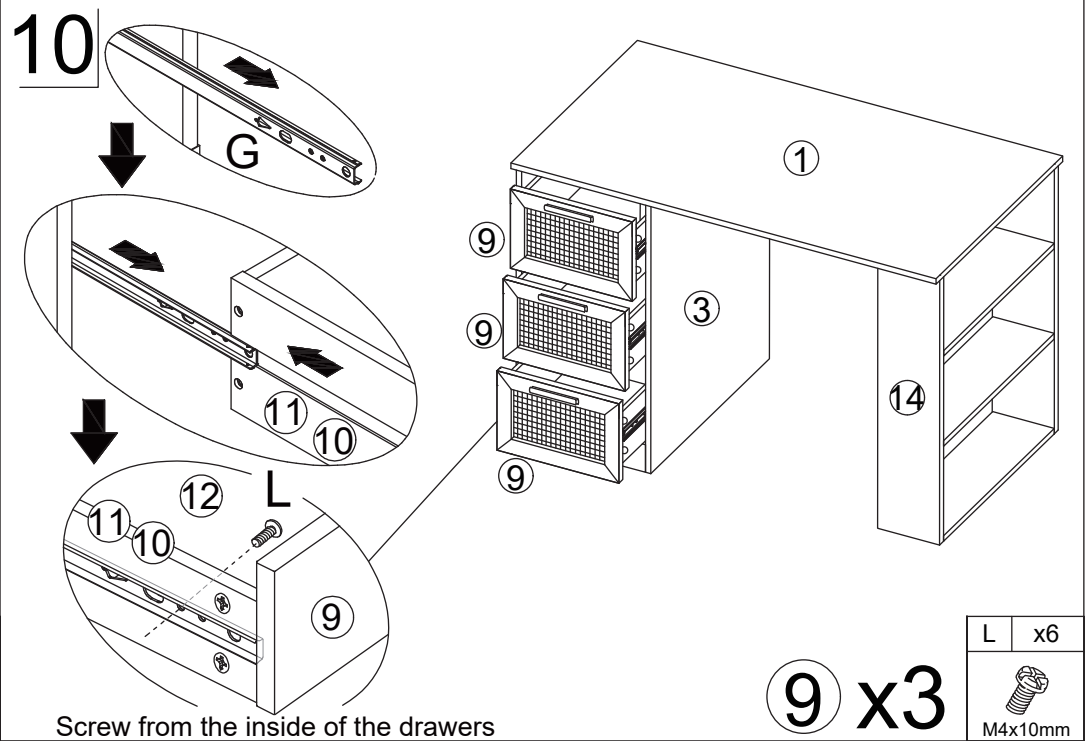
x3

A	x12	H	x12	D	x12	K	x12	M	x6	N	x3
	7x35mm		12x10mm		M4x40mm		M3x14mm		4x18mm		

9



10



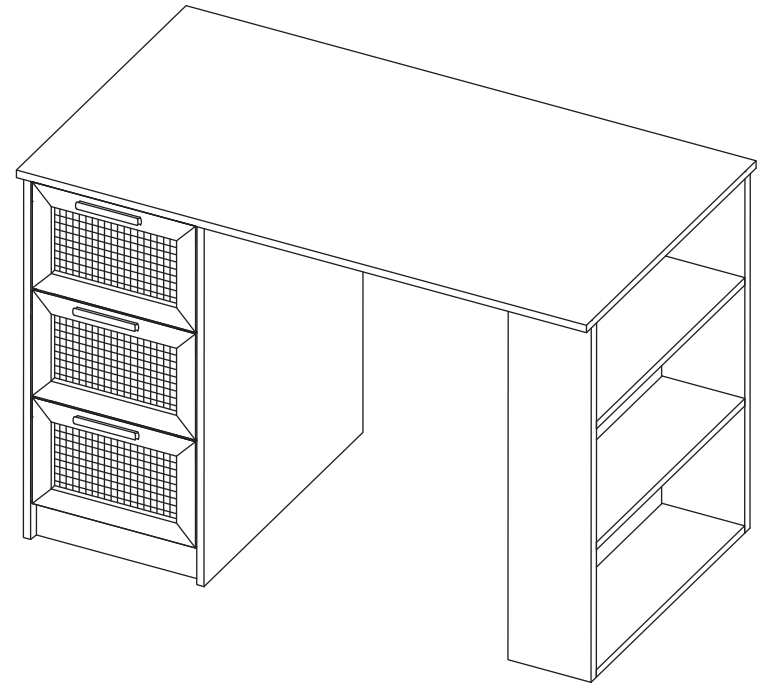
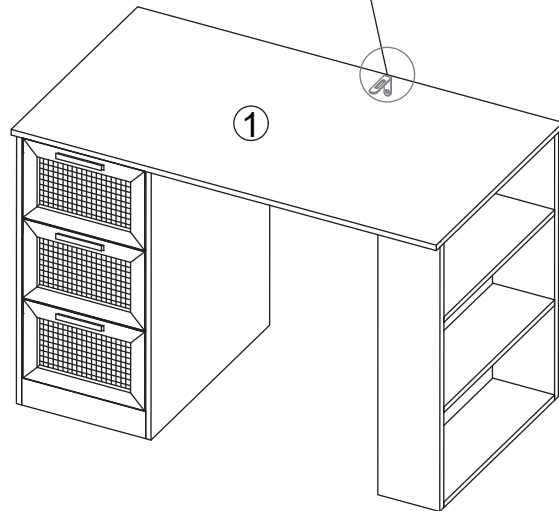
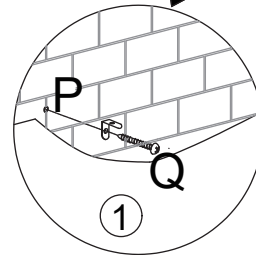
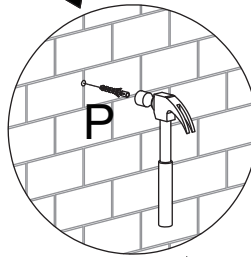
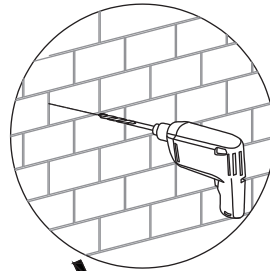
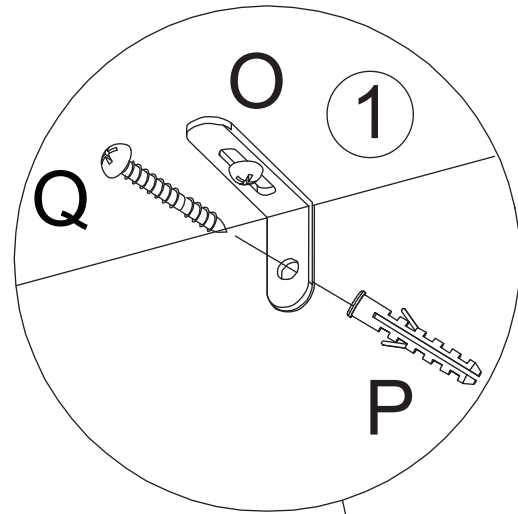
Screw from the inside of the drawers



9 x3

L	x6
	M4x10mm

11

Pre-drill hole in wall



P	x1	Q	x1
			M4x30mm