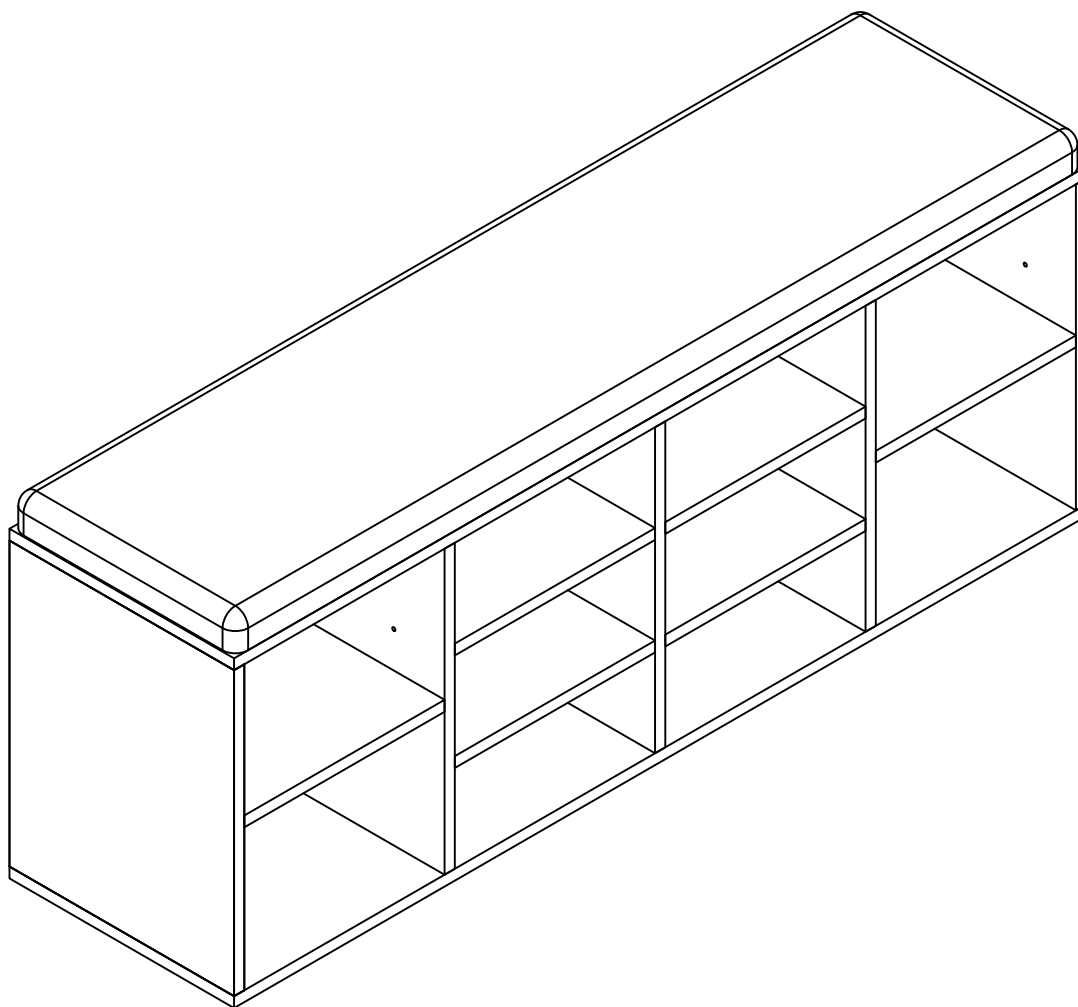
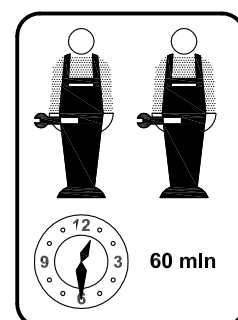


ASSEMBLY INSTRUCTION

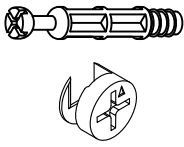


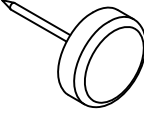


READ THE ASSEMBLY INSTRUCTIONS CAREFULLY. IDENTIFY THE ELEMENTS CONSTITUING YOUR PIECE OF FURNITURE. GROUP AND CHECK THE HARDWARE FITTINGS. GET THE TOOLS NEEDED. CLEAR SPACE TO WORK. PROCEED TO ASSEMBLE

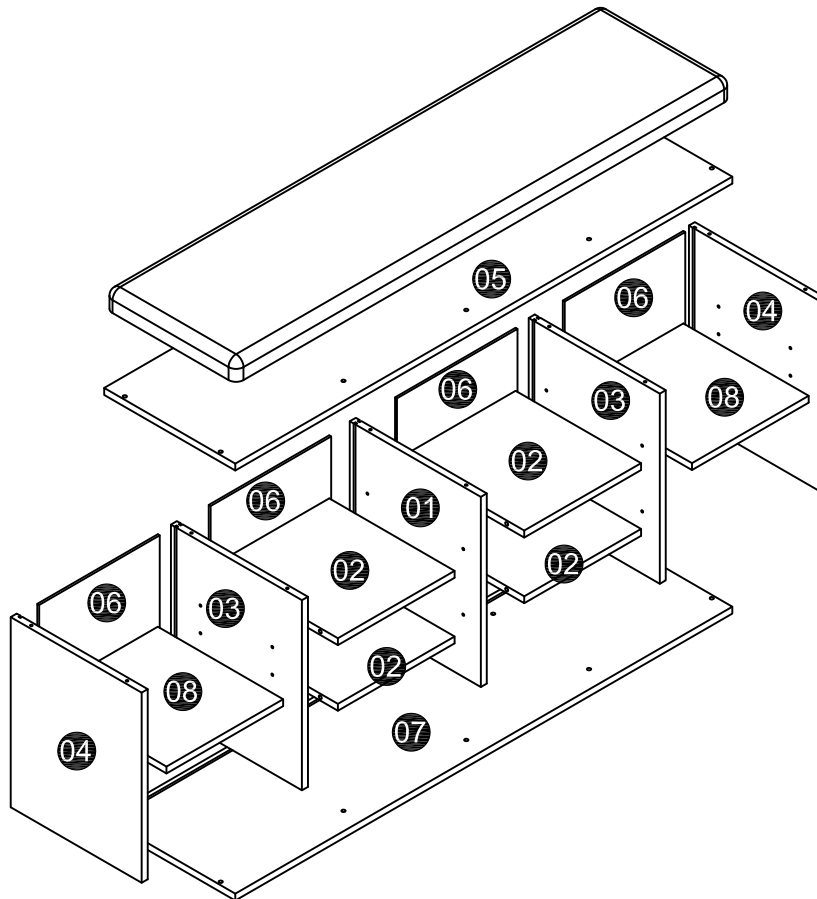
NEVER FORCE THE FITTINGS. TIGHTEN THE SCREW AFTER USING FOR SOMETIME. KEEP YOUR ASSEMBLY INSTRUCTIONS, IT COULD HELP FOR BETTER COMMUNICATION WITH YOUR STORE. IN THE EVENT OF QUERY.



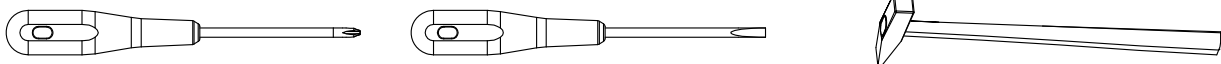
HARDWARE LIST

<p>A x 16</p> 	<p>B x 20</p> 	<p>C x 8</p> 	<p>D x 5</p> 
---	---	--	--

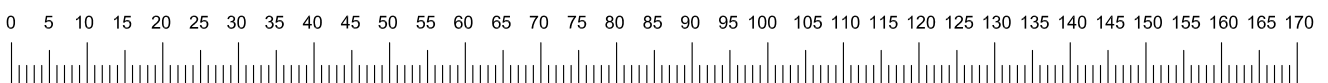
PARTS LIST



TOOLS

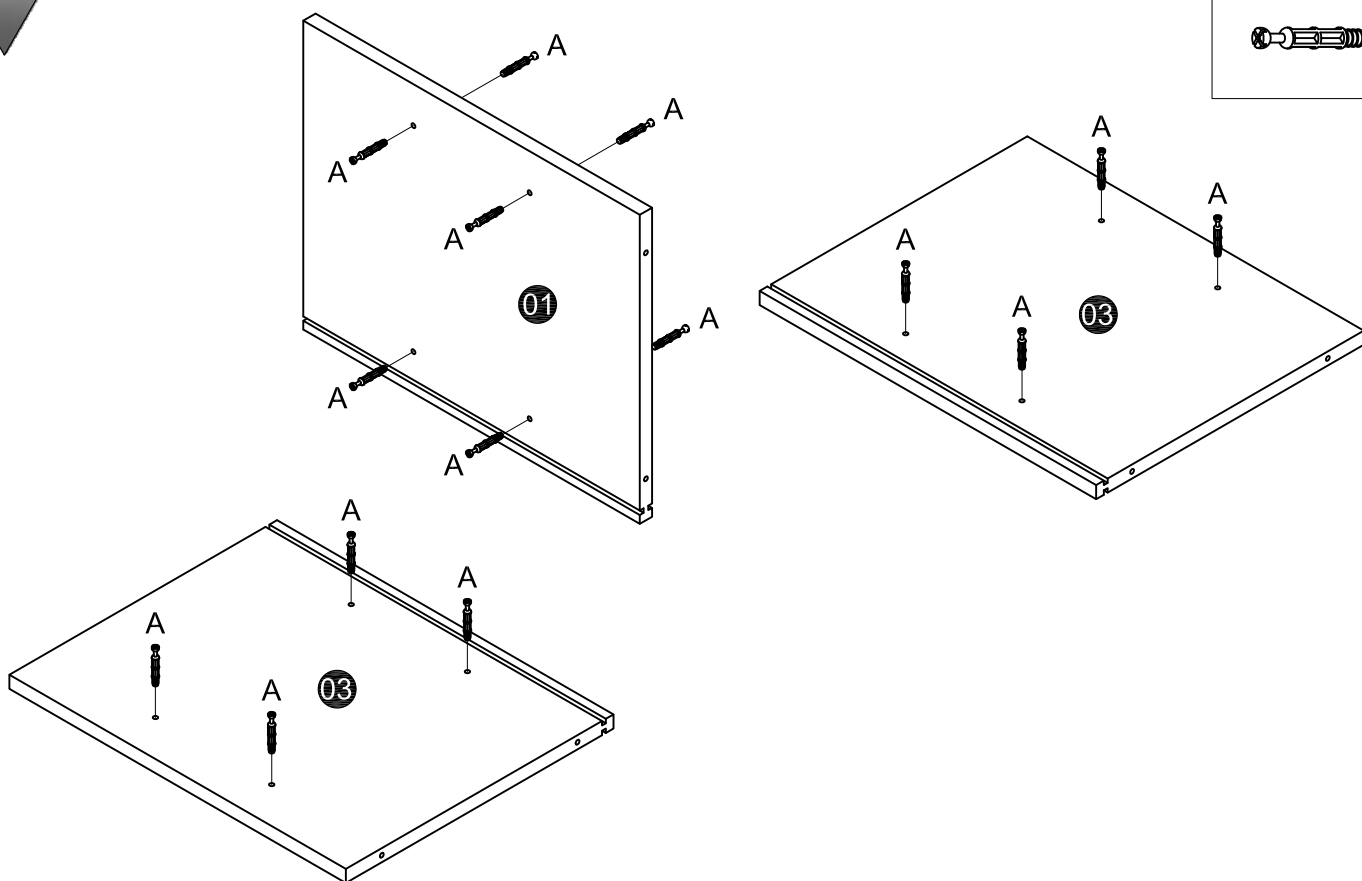


Ruler - Use this ruler to help correctly identify the screws



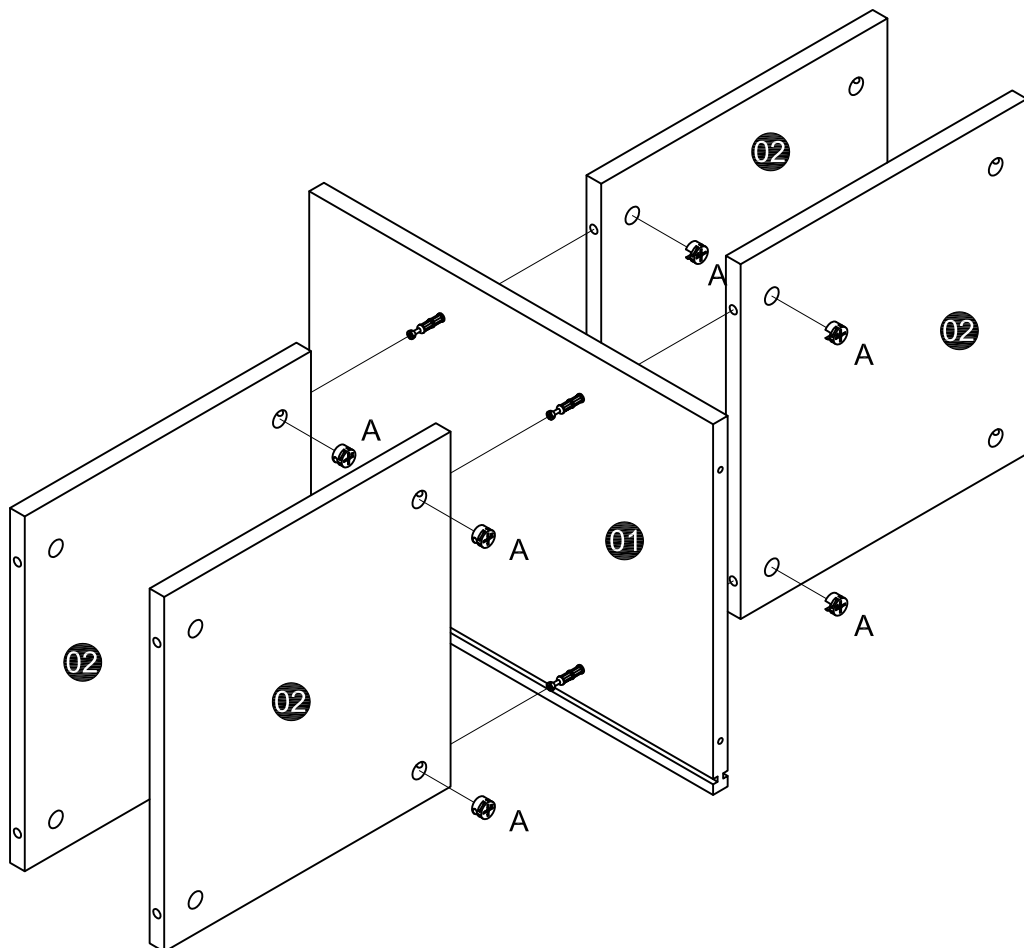
01

A x 16

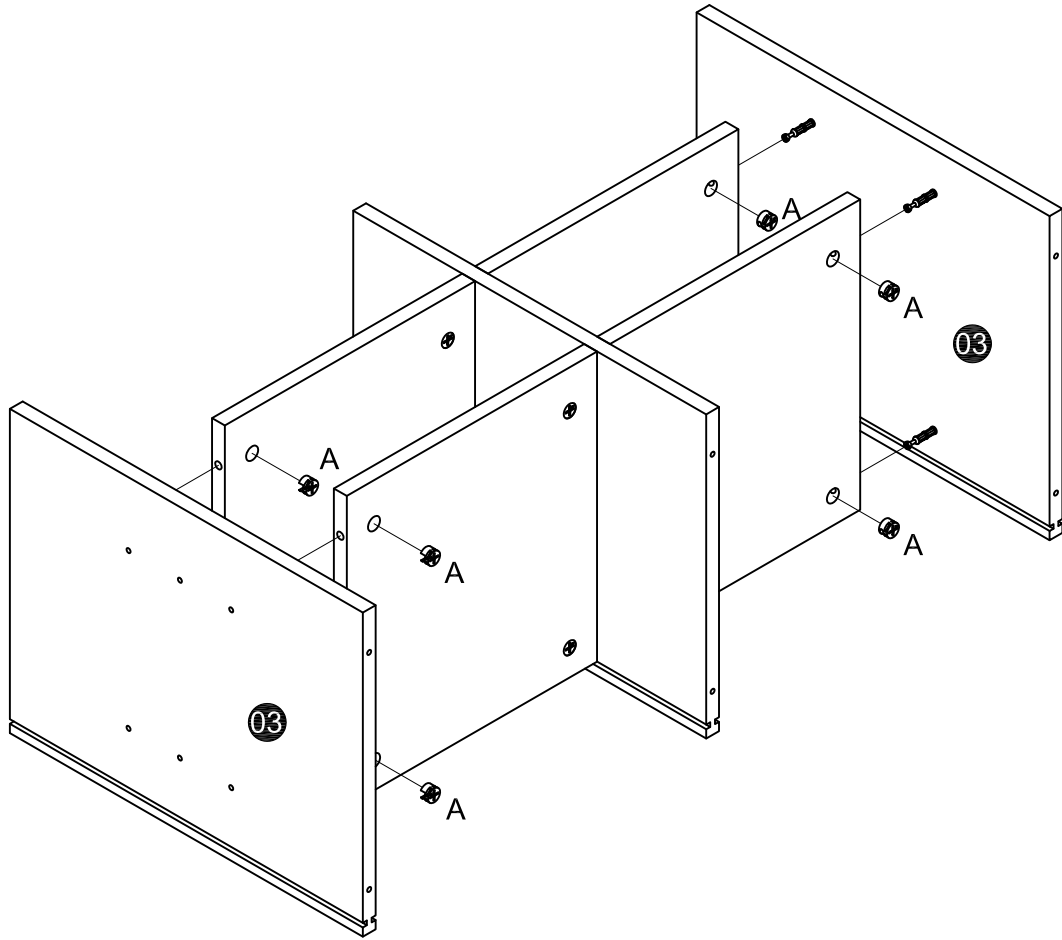


02

A x 8

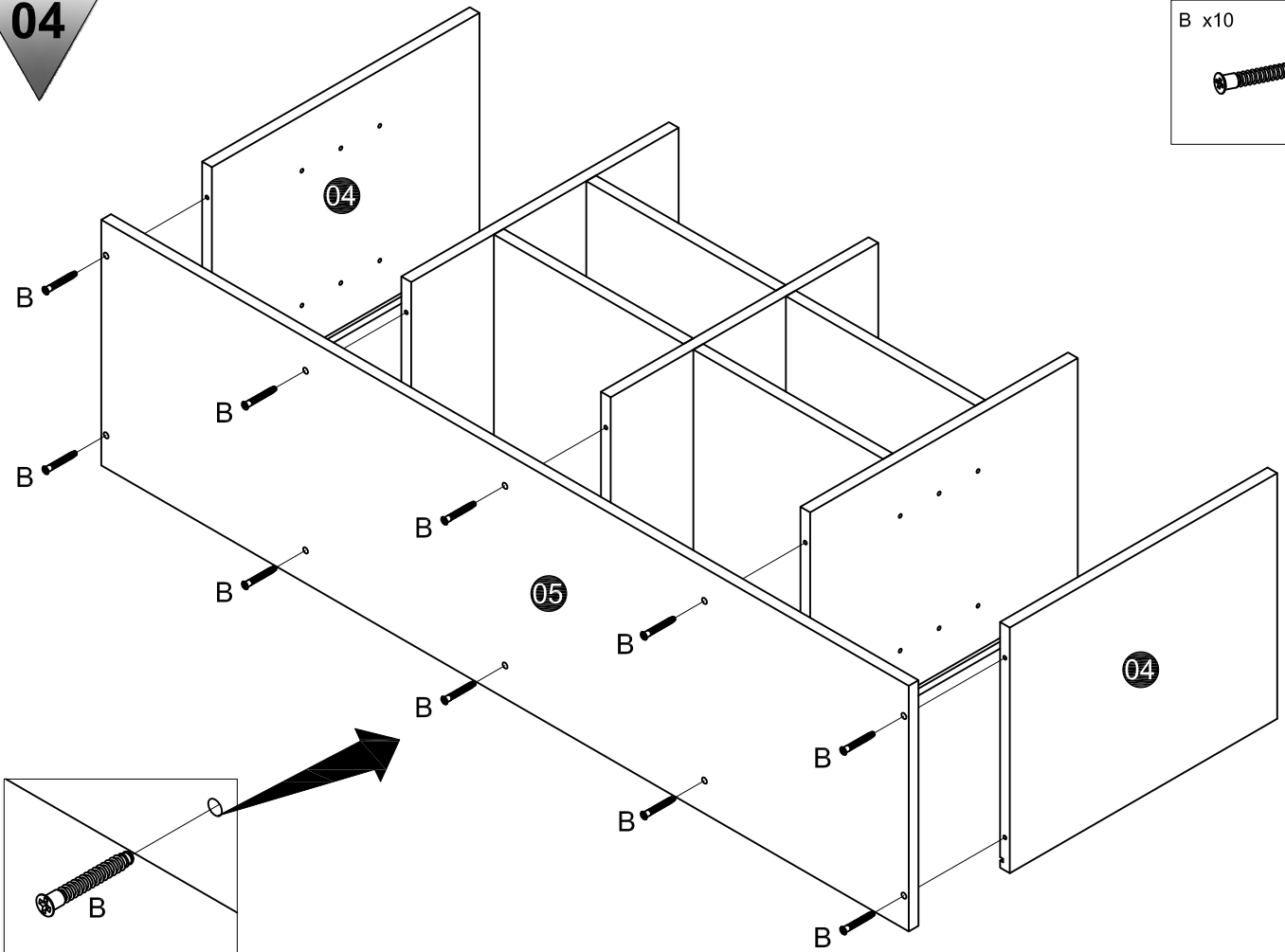


03



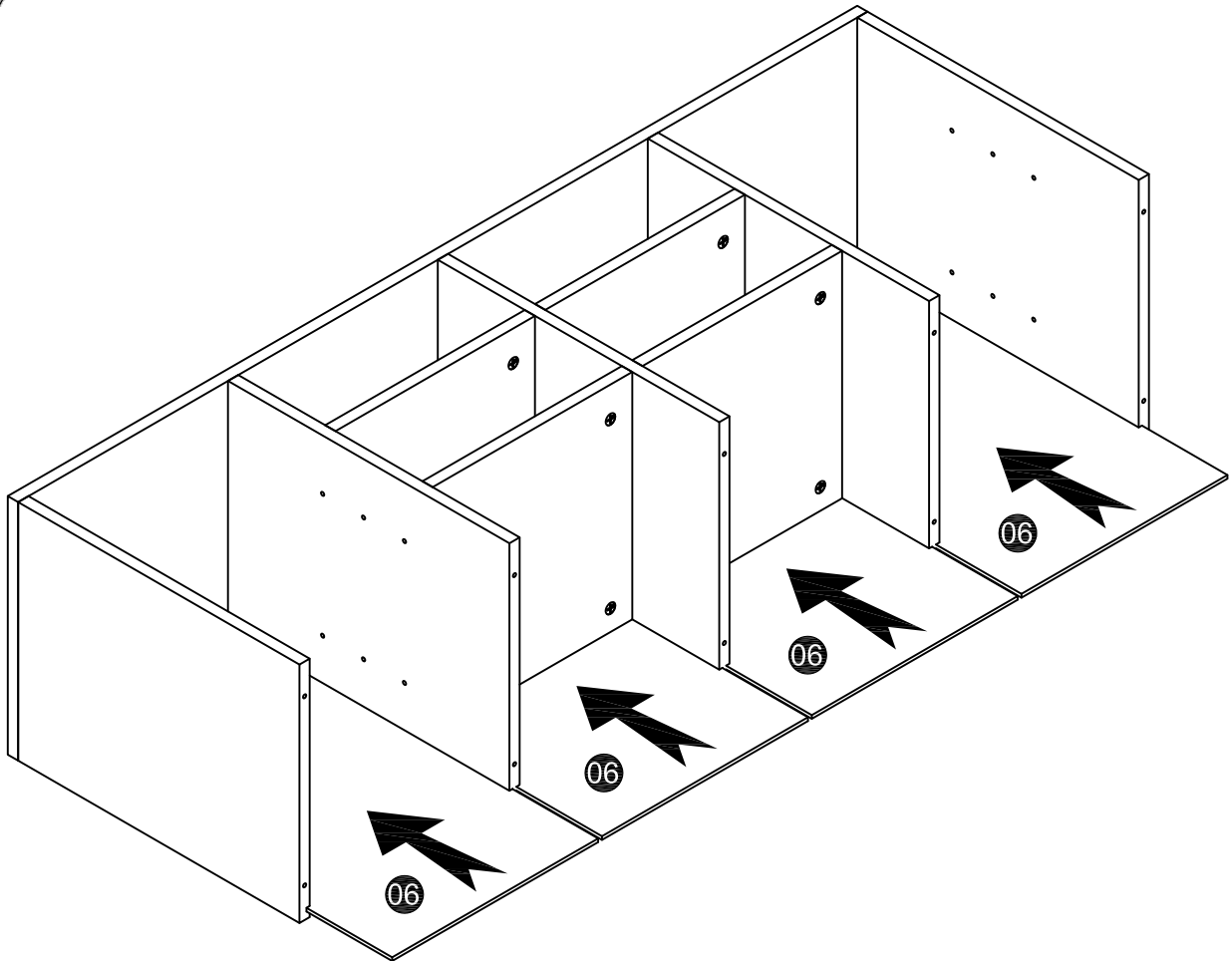
A x 8

04

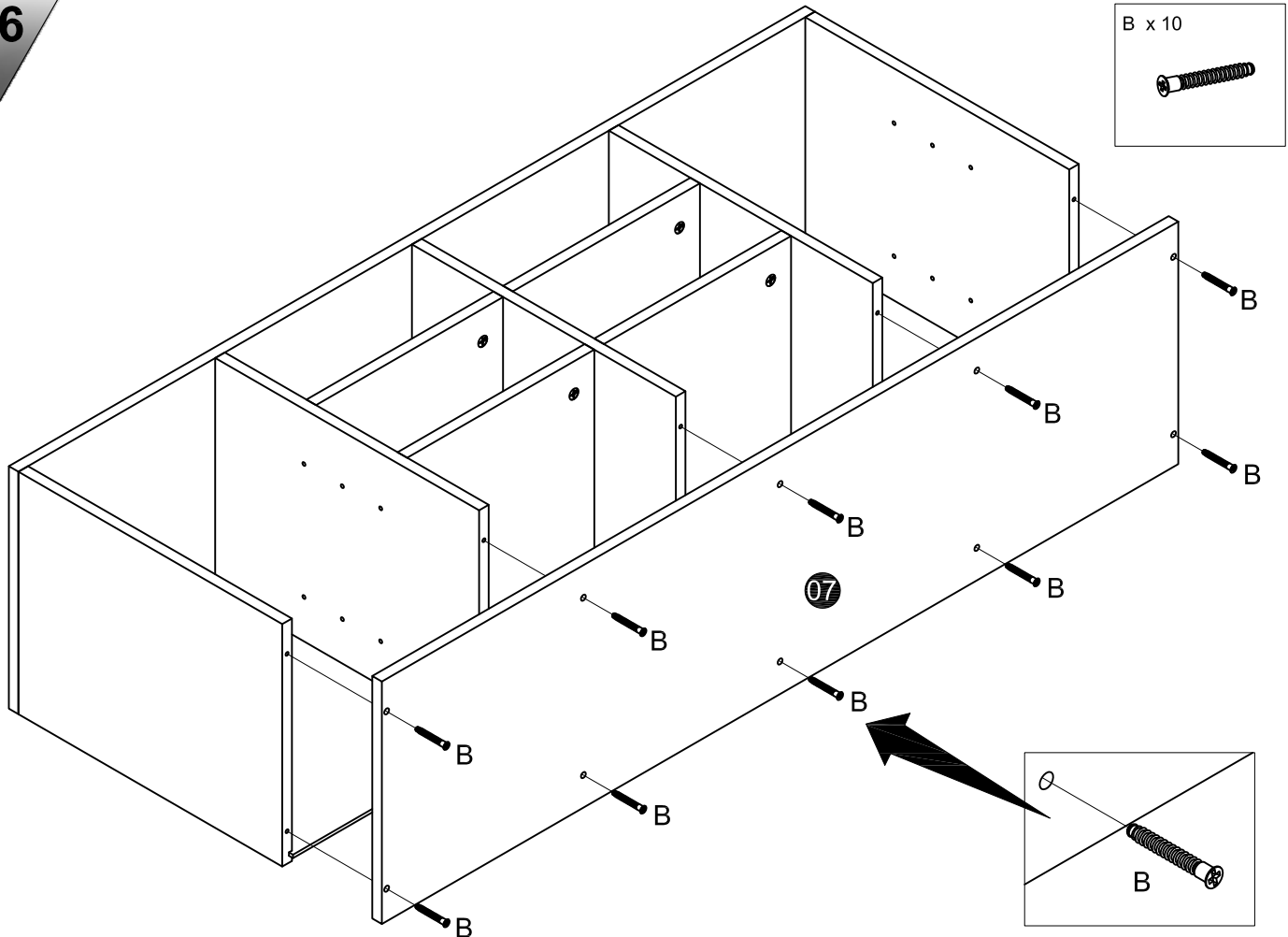


B x 10

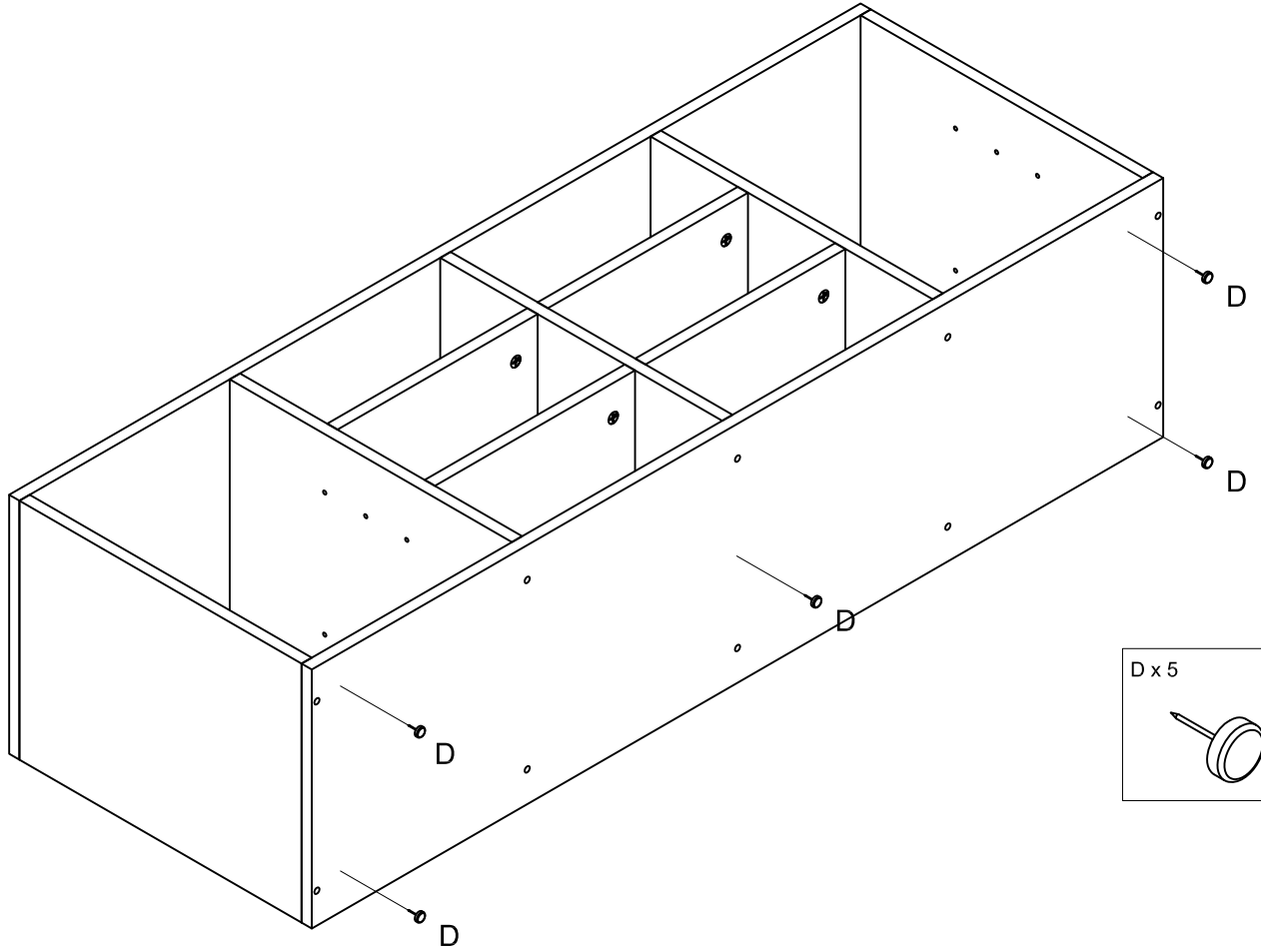
05



06



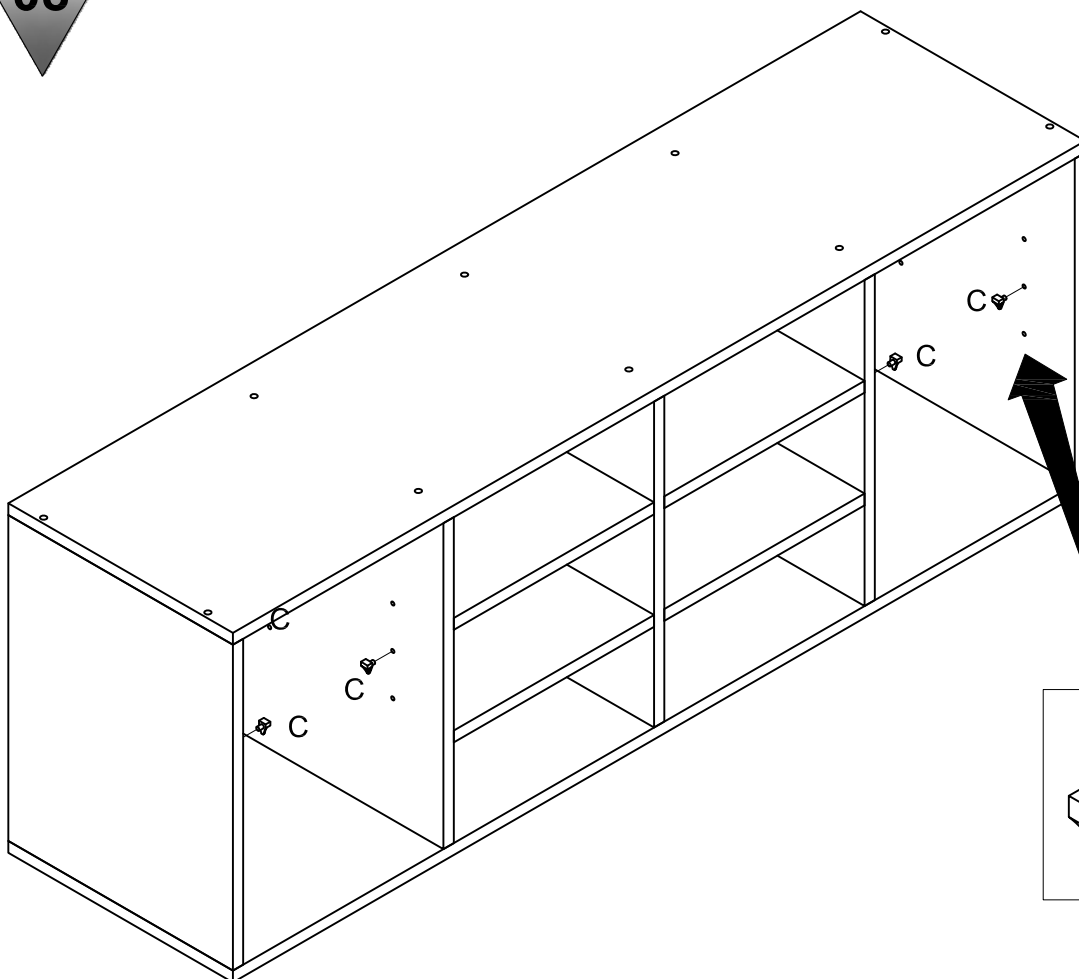
07



D x 5



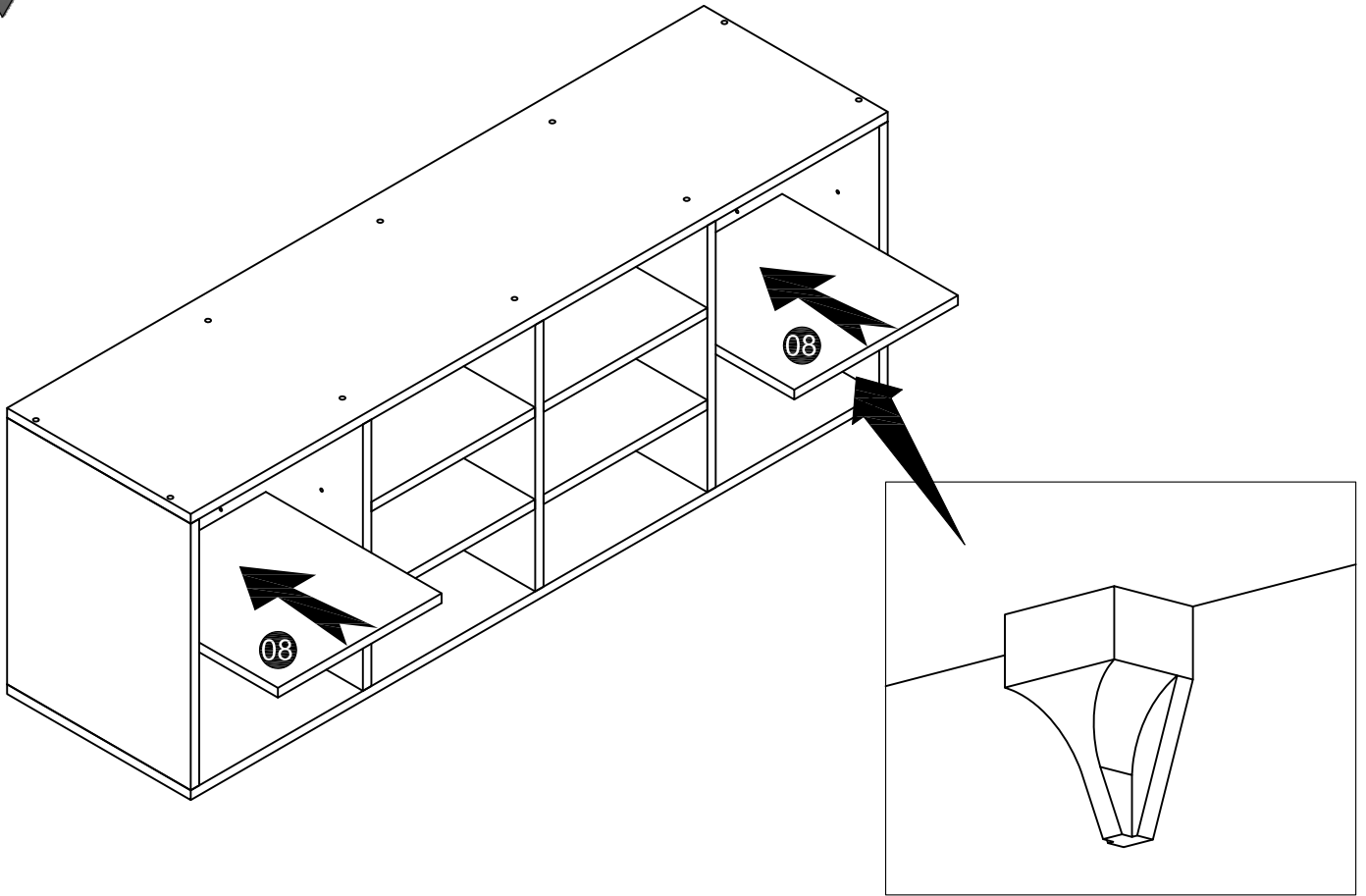
08



C x 8



09



10

