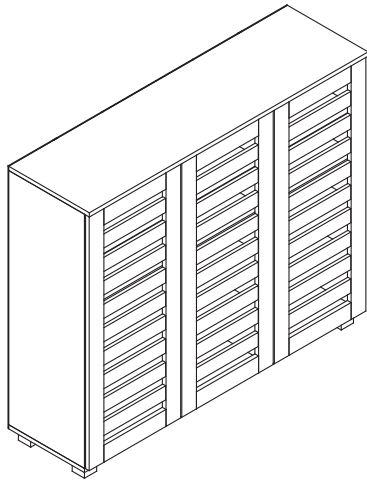




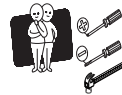
# SHOE STORAGE CABINET

MODEL:SS-AND-D3-WH/WD



## ASSEMBLY INSTRUCTIONS

Please read instructions carefully before assembly.



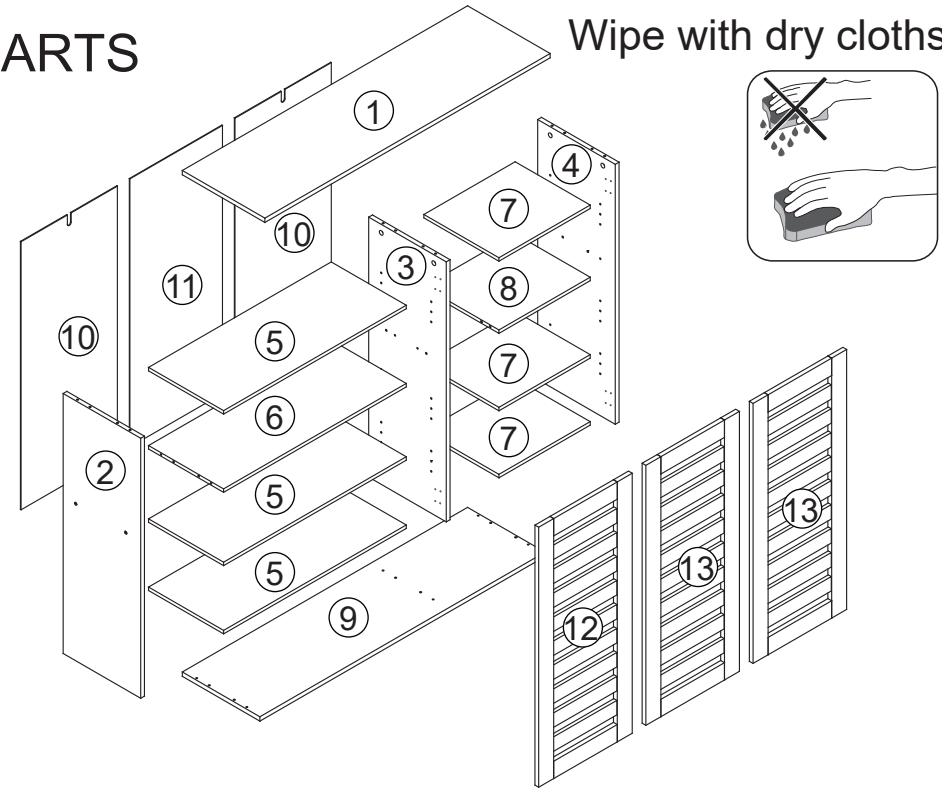
Two persons and tools required for assembly

### HARDWARE

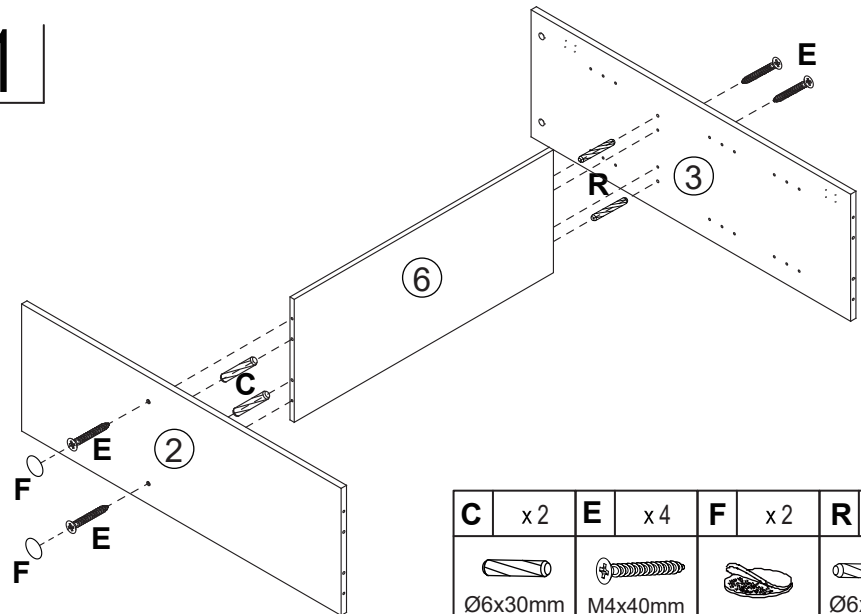
A	8PCS	B	8PCS	C	16PCS	D	39PCS	E	14PCS	F	4PCS
7x35mm		15x10mm		Ø6x30mm		M3.5x12mm		M4x40mm			
G	6PCS	H	24PCS	I	5PCS	J	5PCS	K	2PCS	L	4PCS
						M4x25mm				M3x14mm	
M	3PCS	N	41PCS	O	2PCS	P	2PCS	Q	2PCS	R	2PCS
						M4x12mm				Ø6x50mm	
S	5PCS										

## PARTS

Wipe with dry cloths

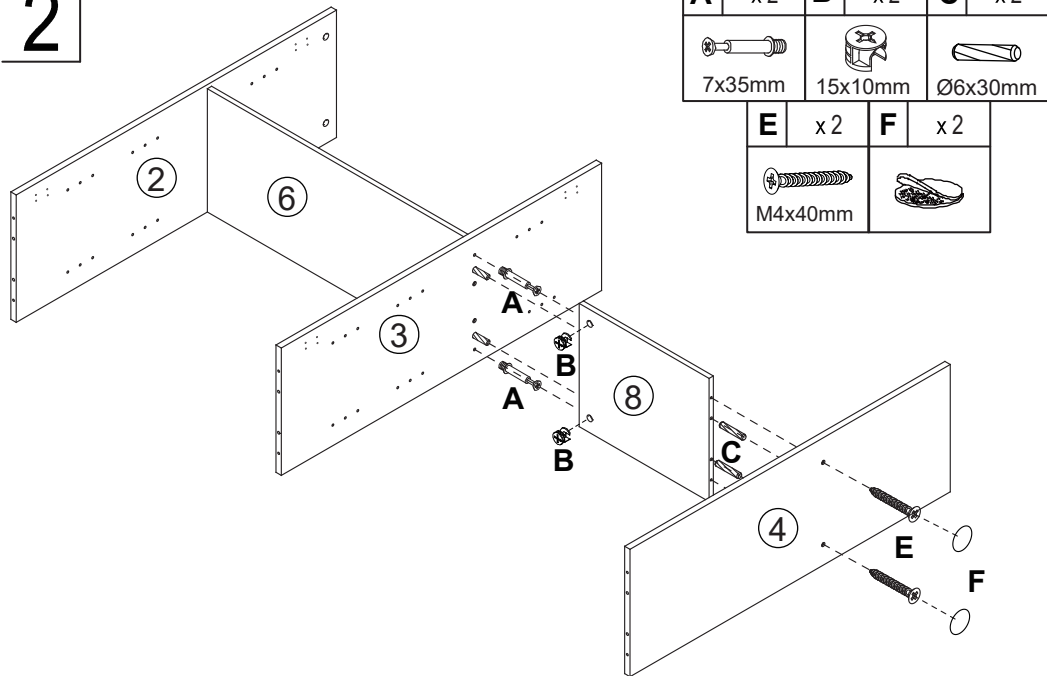


1

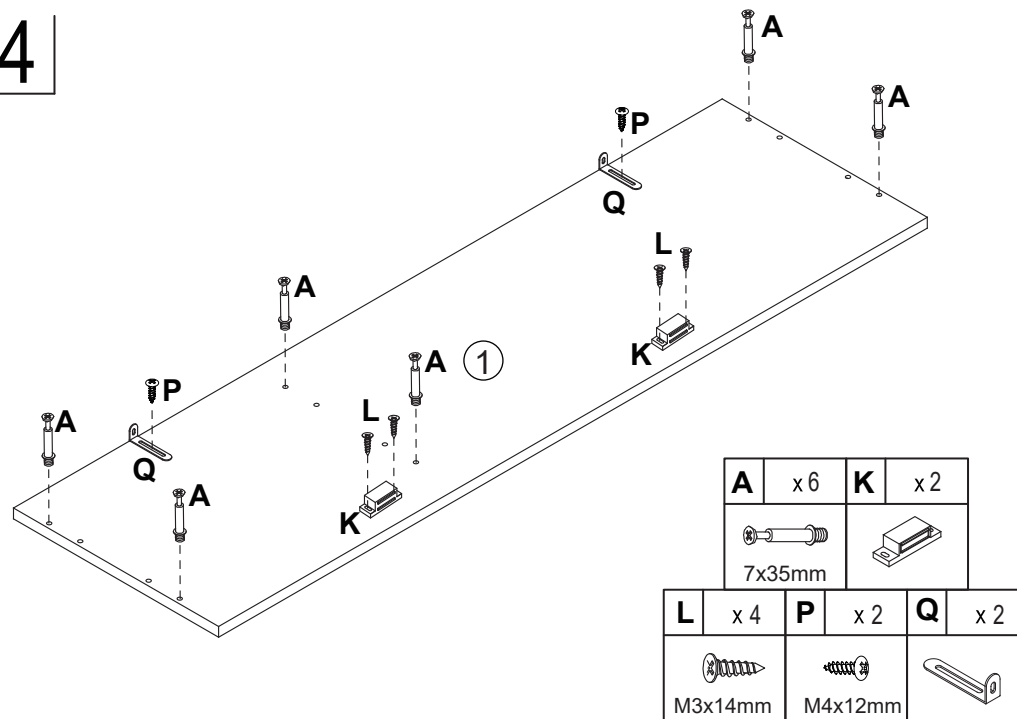


C	x2	E	x4	F	x2	R	x2
Ø6x30mm		M4x40mm					Ø6x50mm

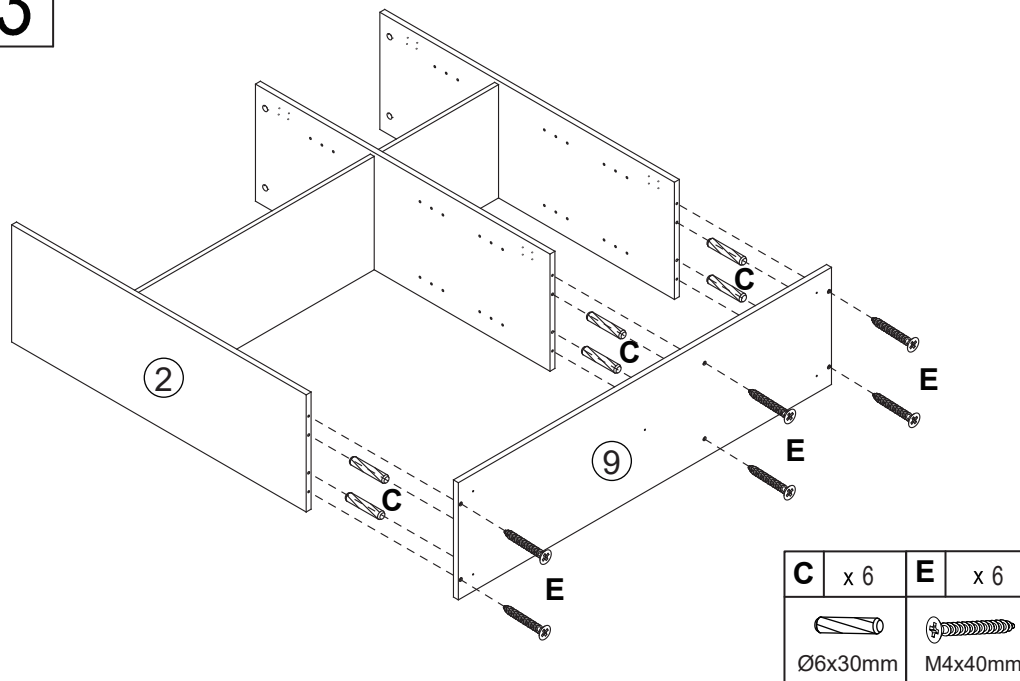
2



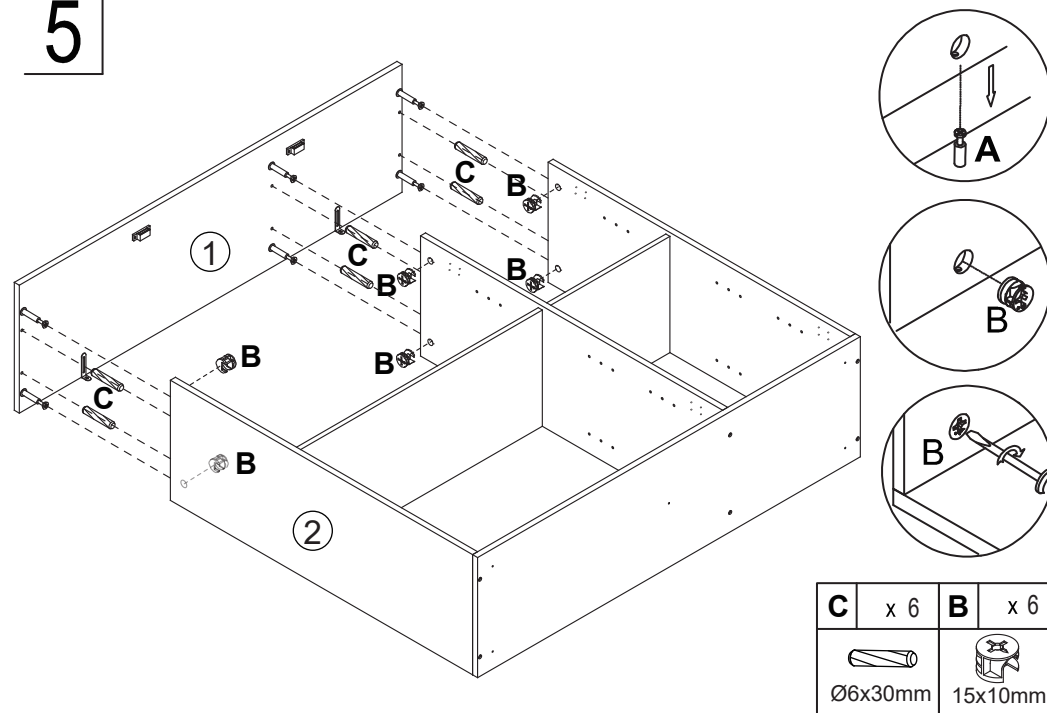
4



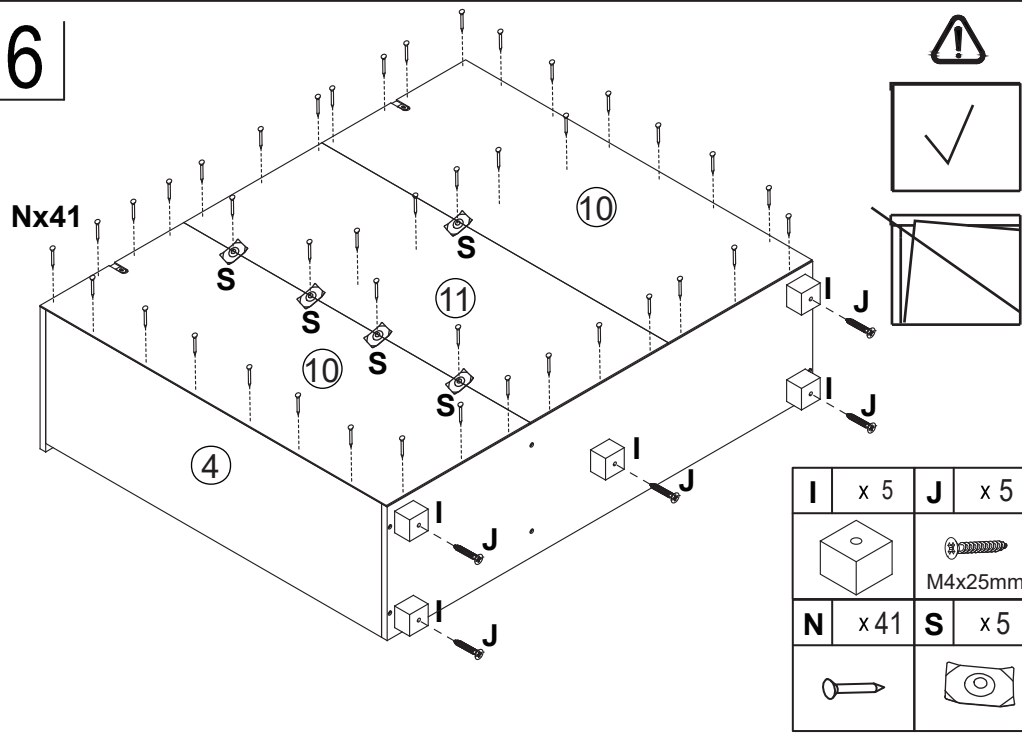
3



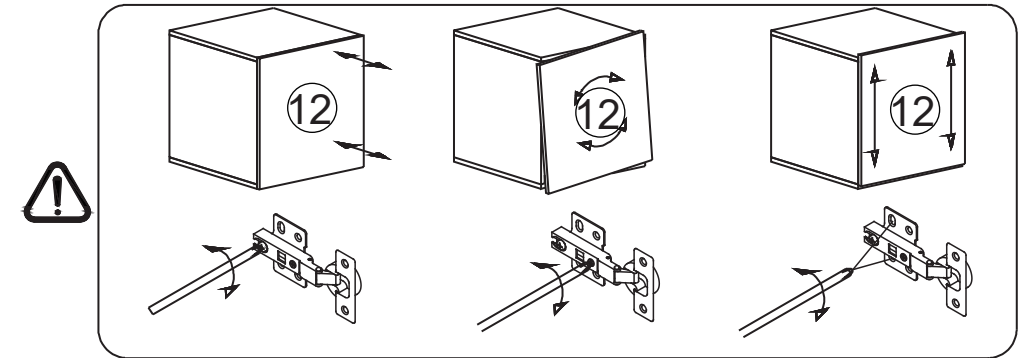
5



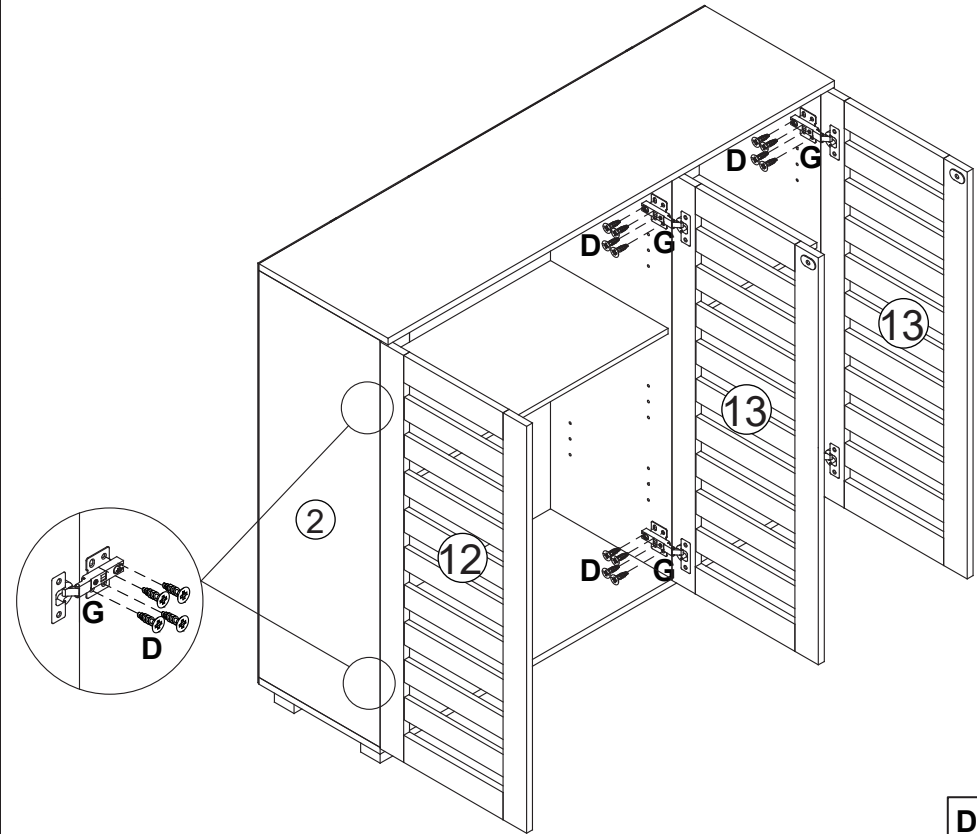
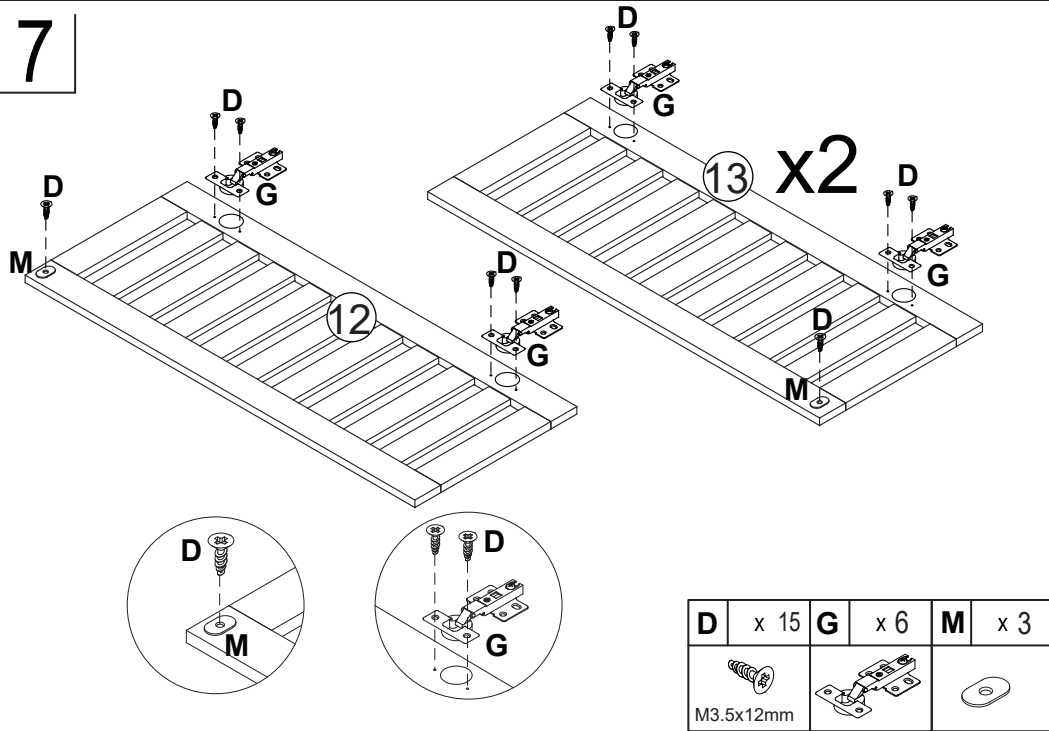
6



8

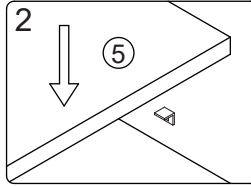
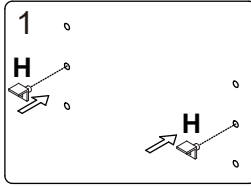
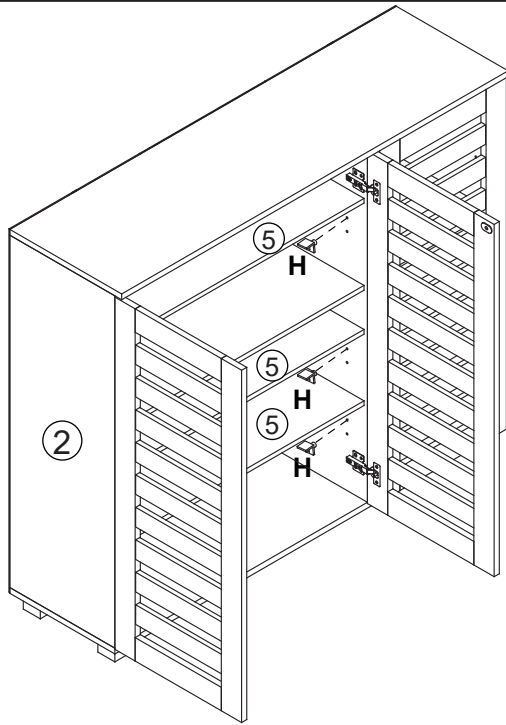


7



D	x 24
	M3.5x12mm

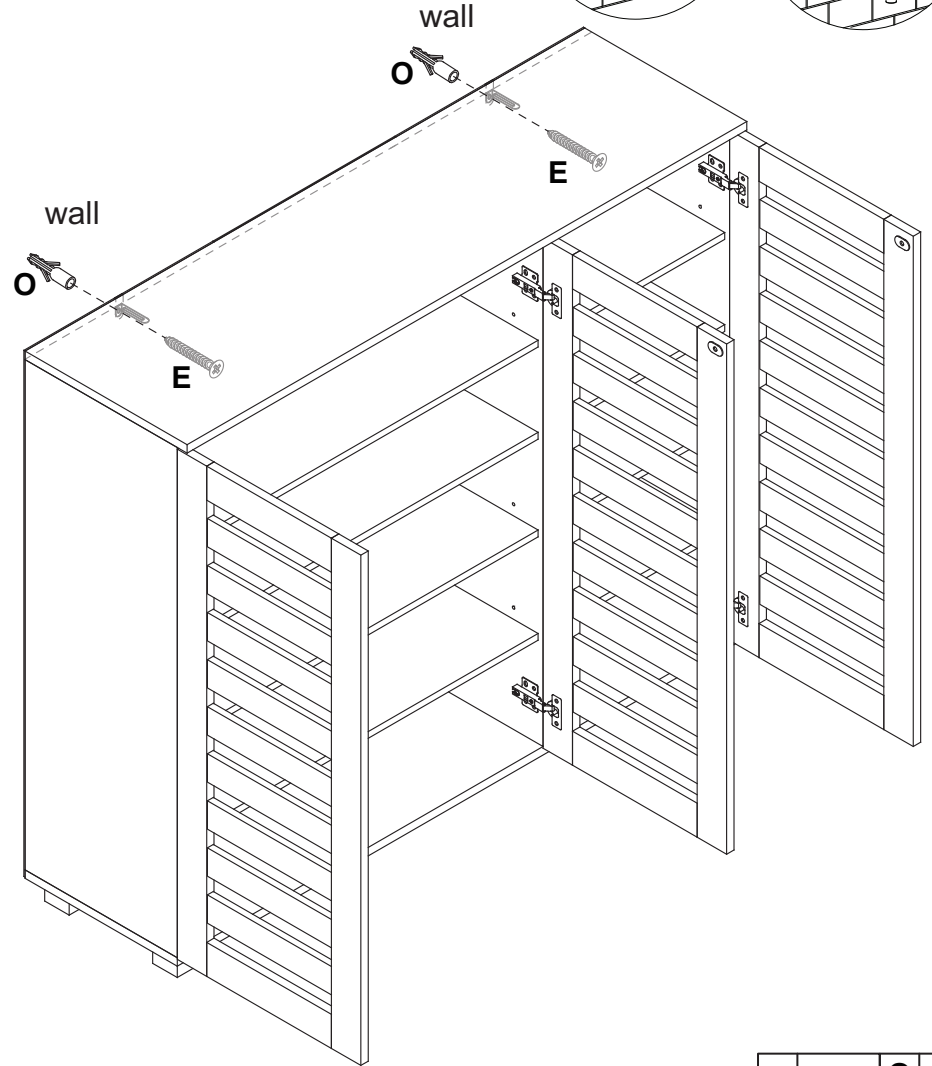
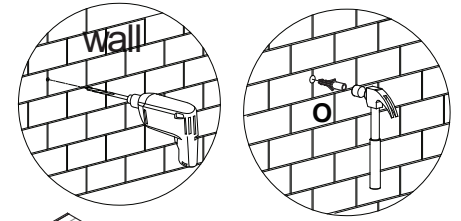
9



H	x12

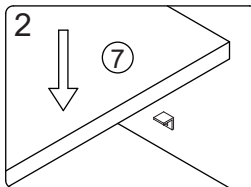
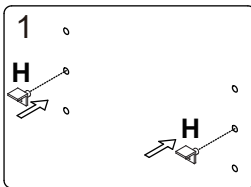
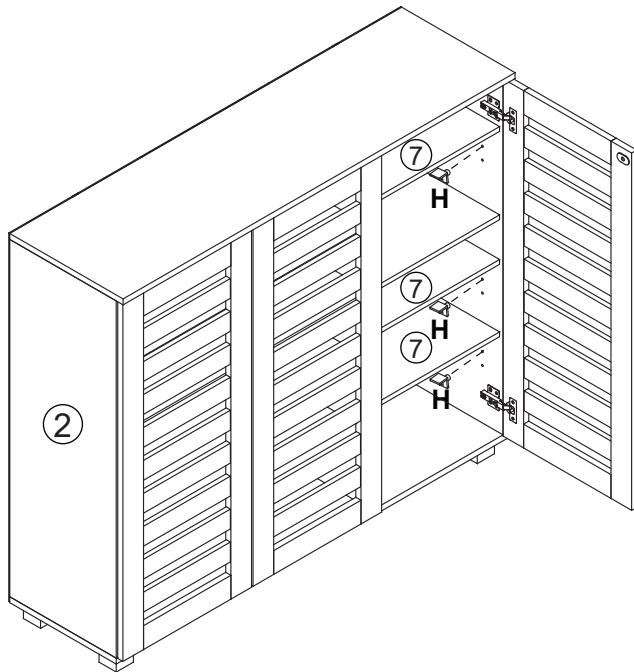
11

Pre-drill hole in wall



E	x2	O	x2
M4x40mm			

10



H	x12