

HEATED TOWEL RAIL

Installation Guide

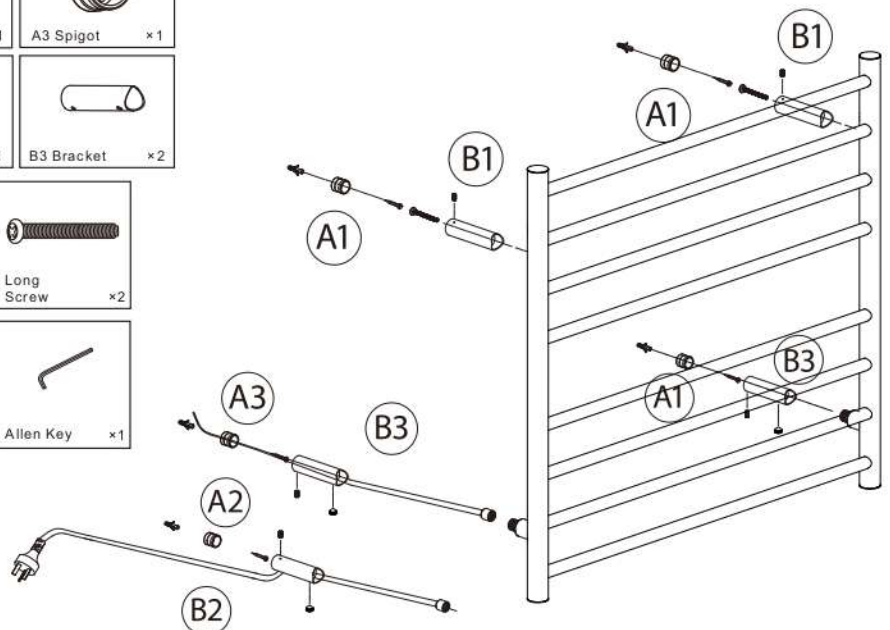
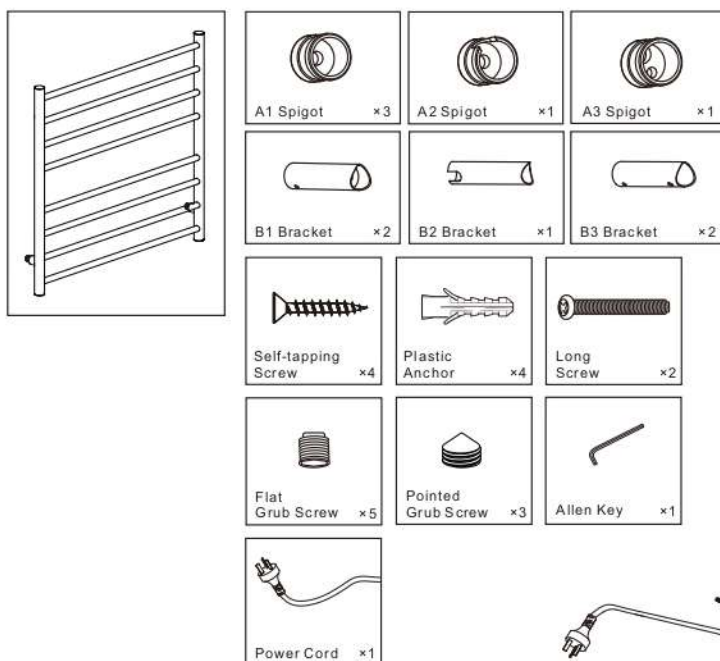
ITEM NO.:	MIR7570-8
WIDTH:	750 MM
HEIGHT:	700 MM
DEPTH:	120 MM
POWER:	115 W
VOLTAGE:	220-240 V/50Hz
WIRING METHOD:	Hard-wired or Plug-in
WIRING POSITION:	Bottom left or right
IP GRADE:	IP 55

- Please note that this appliance **MUST** be installed as prescribed by the relevant wiring rules and regulations, including the regulations covering installation of appliances and accessories in 'wet areas' such as bathrooms, showers and laundries.

WARNING:

1. The appliance is not to be used by persons (including children) with reduced physical, sensory or mental capabilities, or lack of experience and knowledge, unless they have been given supervision or instruction.
2. Children being supervised not to play with the appliance.
3. **WARNING:** In order to avoid a hazard for very young children, this appliance should be installed so that the lowest heated rail is at least 600 mm above the floor.
4. Means for disconnection must be incorporated in the fixed wiring in accordance with the wiring rules.

PRODUCT ACCESSORIES LIST



INSTALLATION

There are two options for installing this Heated Towel Rail:

- 1. CONCEALED WIRING (Hard-Wired)** - Provisions must be made for a switched supply wire to feed through the wall surface. The wire is located at the preferred mounting point for the towel rail. This type of installation **MUST** be performed by a licensed electrician.
- 2. EXPOSED WIRING (Plug-In)** - A switched plug socket is required within 1 metre of the preferred mounting point for the towel rail.

Concealed Wiring Installation (Hard-Wired)

This appliance **MUST be installed by a licensed electrician.**

1. Remove the towel rail from the box. Check all parts are supplied against the Product Components List. For Hard Wired Installation you will not require A2 spigot or B2 bracket.
2. Unscrew the safety cap on the towel rail plug according to the left or right position of the wiring outlet you require.
3. Take out the B3 Bracket for hard-wired installation. Put the power cord through the B3 Bracket and connect the cord into the plug in the required position.
4. Attach the B3 Bracket onto the rail and fasten with the pointed grub screw.
5. Install the other B3 Bracket onto the other power connection point that is not being used, fasten with the pointed grub screw.
6. Install the 2 x B1 Bracket onto the rail using the 2 x Long Screws.
7. Put the towel rail against the wall in the desired position, and using a pencil draw around the end of each bracket to mark the bracket fixing positions on the wall. Remove the towel rail from the wall.
8. Using a suitable drill bit, drill the holes to the required screw depth into the centre of the drawn circles on the wall at each fixing point.
9. Place the 4 plastic anchors into the drilled holes.
10. Using a self-tapping screw, screw the A3 Spigot onto the wall at the wire connection point. Insert the electrical wire through the hole in the A3 Spigot for hard wiring.
11. Fix the 3 x A1 Spigots onto the 3 other fixing points on the wall using the self-tapping screws.
12. Put the towel rail up on the wall. Once the 4 brackets are in place covering the 4 spigots, use the Allen Key to fasten the brackets onto the spigots by inserting the 4 Flat Grub Screws into the hole in each bracket, and tighten the rail securely to the wall.

Exposed Wiring Installation (Plug-In)

1. Remove the towel rail from the box. Check all parts are supplied against the Product Components List. For Plug-In Installation you will not require A3 Spigot or one of B3 Brackets.
2. Unscrew the safety cap on the towel rail plug according to the left or right position of the wiring outlet you require.
3. Take out the B2 Bracket for exposed installation. Put the power cord through the B2 Bracket and connect the cord into the plug in the required position.
4. Attach the B2 Bracket onto the rail and fasten with the pointed grub screw. The power cord fits through the hole at the base of the Bracket so that the leg sits flush against the wall. Face the hole in the bracket in the direction you require the cord to be exposed from.
5. Install the B3 Bracket onto the other power connection point that is not being used, fasten with the pointed grub screw.
6. Install the 2 x B1 Brackets onto the rail using the 2 x Long Screws.
7. Put the towel rail against the wall in the desired position, and using a pencil draw around the end of each bracket to mark the Bracket fixing positions on the wall. Remove the towel rail from the wall.
8. Using a suitable drill bit, drill the holes to the required screw depth into the centre of the drawn circles on the wall at each fixing point.
9. Place the 4 plastic anchors into the drilled holes.
10. Using the self-tapping screws, screw A2 Spigot onto the wall at the wire connection point.
11. Fix the 3 x A1 Spigots onto the 3 other fixing points on the wall using the self-tapping screws.
12. Put the towel rail up on the wall. Once the 4 brackets are in place covering the 4 spigots, and the power cord is neatly sitting through the hole in the B2 Bracket, use the Allen Key provided to fasten the brackets onto the spigots by inserting the 4 Flat Grub Screws into the hole in each bracket, and tighten the rail securely to the wall.

WARNING

- A. To reduce the risk of injury, do not drape cord over the counter top or table top where it can be pulled down by children or tripped over unintentionally.
- B. A short power-supply cord (or detachable power-supply cord) is provided to reduce risks resulting from becoming entangled in or tripping over a longer cord.
- C. Longer detachable power-supply cords or extension cords are available and may be used if care is exercised in their using.
- D. If a long detachable power-supply cord or extension cord is used.
- E. The marked electrical rating of the detachable power-supply cord or extension cord should be at least as great as the electrical rating of the appliance;
- F. If the appliance is of the grounded type, the extension cord should be a grounding type 3-wire cord;
- G. The longer cord should be arranged so that it will not drape over the counter top or table top where it can be pulled on by children or tripped over.

A licensed electrician is required to carry out the installation of heated towel rail using the concealed wiring system.