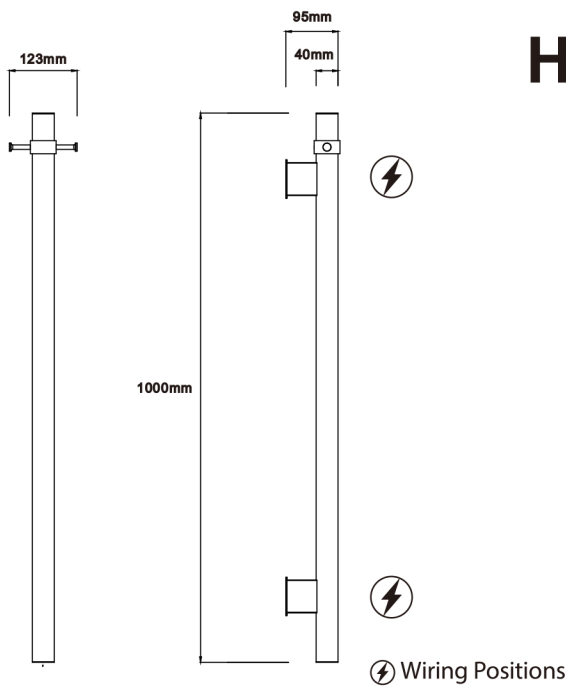


HEATED TOWEL RAIL

Installation Guide



ITEM NO.:	MIR100
WIDTH:	123 MM
HEIGHT:	1000 MM
DEPTH:	95 MM
POWER:	28 W
VOLTAGE:	12 V DC
WIRING METHOD:	Hard-wired
WIRING POSITION:	Top or bottom
IP GRADE:	IP 55

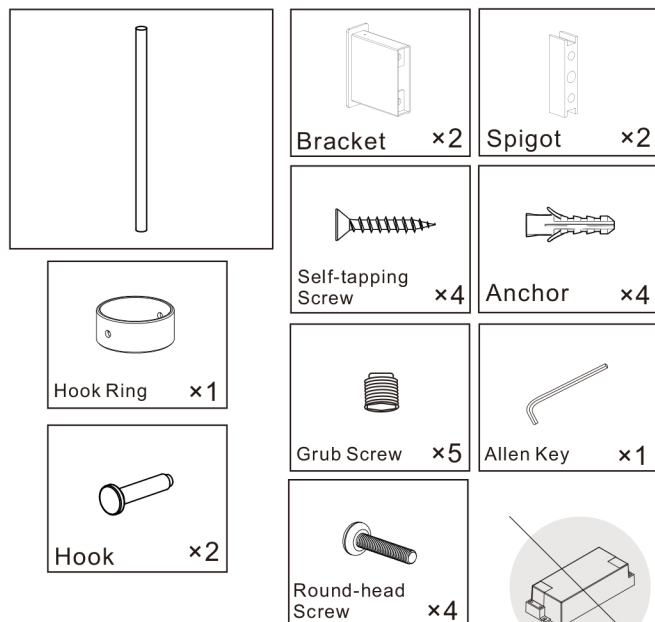
⚡ Wiring Positions

- Please note that this appliance **MUST** be installed as prescribed by the relevant wiring rules and regulations, including the regulations covering installation of appliances and accessories in 'wet areas' such as bathrooms, showers and laundries.

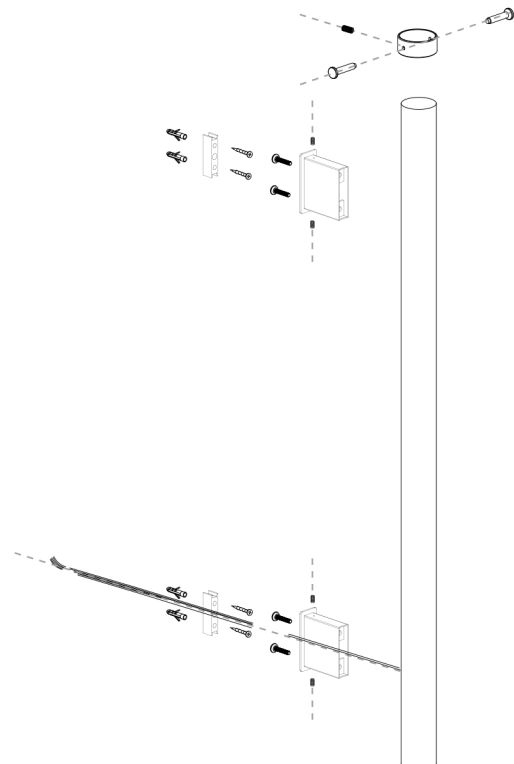
WARNING:

1. The appliance is not to be used by persons (including children) with reduced physical, sensory or mental capabilities, or lack of experience and knowledge, unless they have been given supervision or instruction.
2. Children being supervised not to play with the appliance.
3. **WARNING:** In order to avoid a hazard for very young children, this appliance should be installed so that the lowest heated rail is at least 600 mm above the floor.
4. Means for disconnection must be incorporated in the fixed wiring in accordance with the wiring rules.

PRODUCT ACCESSORIES LIST



12V Transformer
NOT INCLUDED



INSTALLATION STEPS

This appliance MUST be installed by a licensed electrician.

1. Remove the towel rail from the box. Check all parts are supplied against the Product Components List.
2. Take out the Bracket for hard-wired installation. Put the power cord through the Bracket.
3. Attach the Bracket onto the rail and fasten with the round-head screws.
4. Install the other Bracket onto the other side that is not being used, fasten with the round-head screws.
5. Put the towel rail against the wall in the desired position, and using a pencil draw around the end of each bracket to mark the bracket fixing positions on the wall. Remove the towel rail from the wall.
6. Using a suitable drill bit, drill the holes to the required screw depth into the centre of the drawn squares on the wall at each fixing point.
7. Place the 4 plastic anchors into the drilled holes.
8. Using self-tapping screws, screw the Spigot onto the wall at the wire connection point. Insert the electrical wire through the hole in the Spigot for hard wiring.
9. Fix the other Spigot onto the other fixing point on the wall using the self-tapping screws.
10. Put the towel rail up on the wall. Once the 2 brackets are in place covering the 2 spigots, use the Allen Key to fasten the brackets onto the spigots by inserting the 2 Grub Screws into the hole in each bracket, and tighten the rail securely to the wall.

SAFETY INFORMATION

As with any electrical appliance, you should be aware of basic safety precautions when using this heated towel rail. Please read these instructions, and file them for future reference:

1. Because this appliance gets hot, young children and infirm people should be closely supervised when nearby. Do not let young children treat the towel rail as a toy.
2. Be aware that the towel rail will get slightly hotter than normal during warmer weather and when insulated by towels.
3. The rail should NOT be used for anything other than its intended use.
4. It would be very dangerous to put the towels or anything else which has been in contact with hazardous liquids on this towel rail.
5. Use this appliance only on the voltage specified on the rating label.
6. Electrical work should only ever be done by authorised persons.
7. Do NOT immerse the towel rail in any liquid.
8. Make sure the supply cord never touches heated surfaces.
9. If the electrical cord or connection is damaged DO NOT attempt to repair; please contact the supplier.

WARNING

- A. To reduce the risk of injury, do not drape cord over the counter top or table top where it can be pulled down by children or tripped over unintentionally.
- B. A short power-supply cord (or detachable power-supply cord) is provided to reduce risks resulting from becoming entangled in or tripping over a longer cord.
- C. Longer detachable power-supply cords or extension cords are available and may be used if care is exercised in their using.
- D. If a long detachable power-supply cord or extension cord is used.
- E. The marked electrical rating of the detachable power-supply cord or extension cord should be at least as great as the electrical rating of the appliance;
- F. If the appliance is of the grounded type, the extension cord should be a grounding type 3-wire cord;
- G. The longer cord should be arranged so that it will not drape over the counter top or table top where it can be pulled on by children or tripped over.

A licensed electrician is required to carry out the installation of heated towel rail using the concealed wiring system.