

HARMON 12V LED WALL/DECK LIGHT

Installation Instructions

LIME
LIGHT[®]
LED lighting



Important for installation

Specifications

- **Input power:** 12V, 1.0 metre low voltage lead cable
- **Luminaire:** Integrated 1W LED low power "warm white" light
- **Lifetime:** Expected 50,000 hours.
- **Ingress Protection Rating:** IP65 (Dust tight, water jet proof). Suitable for outdoor installation. Not suitable for water immersion
- **Connector:** Includes a variable width and variable position low voltage DIY connector for complete flexibility

Installation

- Make sure the electricity supply is disconnected before any installation
- The TOTAL WATTAGE of lights connected to the transformer should not exceed the wattage of the transformer
- LimeLight recommends using LimeLight LED globes with your garden lights to minimise power consumption and heat output

Care: Being 316 Stainless Steel it is advised to wipe a light protective oil solution (WD40[®] or similar) on the surface every 6 months

Wiring Diagram

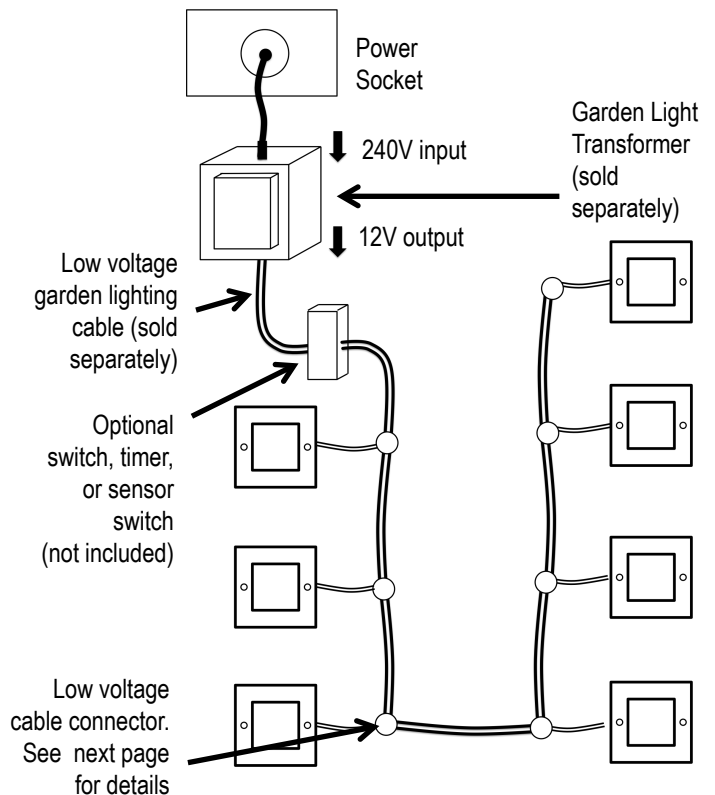
This 12V light can be installed in a vertical wall or facing up from a deck. It includes a low voltage DIY connector designed to connect to standard low voltage garden lighting cable or equivalent.

Choosing the correct transformer

- Add up all the wattage of your planned wall/deck lights on the circuit
- **Example:** If there are 12 x 1W lights and 4 x 10W lights then you have a total of 52W and a 50W transformer would NOT be sufficient. You should opt for the 105W transformer.
- Always pick a transformer that exceeds the sum of the wattage of the lights.
- LimeLight recommends including a buffer in case you wish to add further lights in the future

Important

- Lay out the lighting cable and lights in their intended positions. Remember to allow sufficient cable to connect to the transformer
- It is recommended to keep the cable away from traffic areas and where interference may occur
- Start installation from the furthest light from the transformer
- Do not turn power on until all wiring is completed



HARMON 12V LED WALL/DECK LIGHT

Installation Instructions

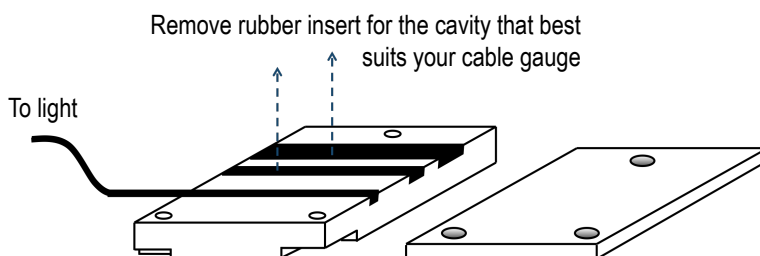


LIME
LIGHT[®]
LED lighting

Connecting lights to your low voltage garden lighting cable

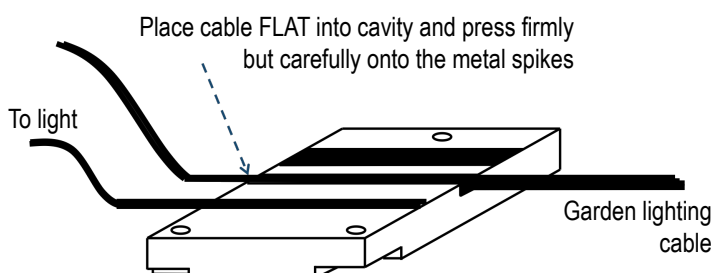
1. Remove cover from connector and prepare for cable insertion

- It is recommended to start from the furthest light in the sequence
- Remove cover plate from connector using phillips head screwdriver
- Select which cable cavity is best suited for your cable gauge
- Remove the rubber insert from your chosen cable cavity to expose the metal conductor spikes



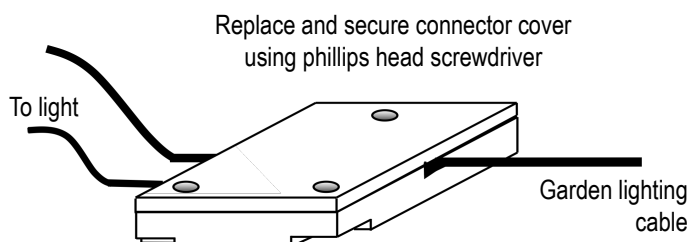
2. Insert cable into cavity and press onto spikes

- Lay your garden lighting cable FLAT onto the connector cavity
- Ensure all twists are removed and that each side of the cable is positioned over a metal spike
- Push the cable down firmly and carefully over the spikes into the cavity – ensure the spikes dig securely into the cable insulation



3. Replace cover on connector and test

- Replace the connector cover over the connector base and screw on securely
- This will help secure the connection of the spikes into the cable
- Plug the transformer in and switch on
- Check if the light operates
- Check the connection is secure by wiggling the cable and connector. If the light flickers repeat the above steps.



- Subject to a 12 month standard limited Manufacturer Warranty.
- Warranty terms available at www.RenovatorStore.com.au>Returns
- Modification of any component, or non-adherence to "Important for Installation" points above will void warranty