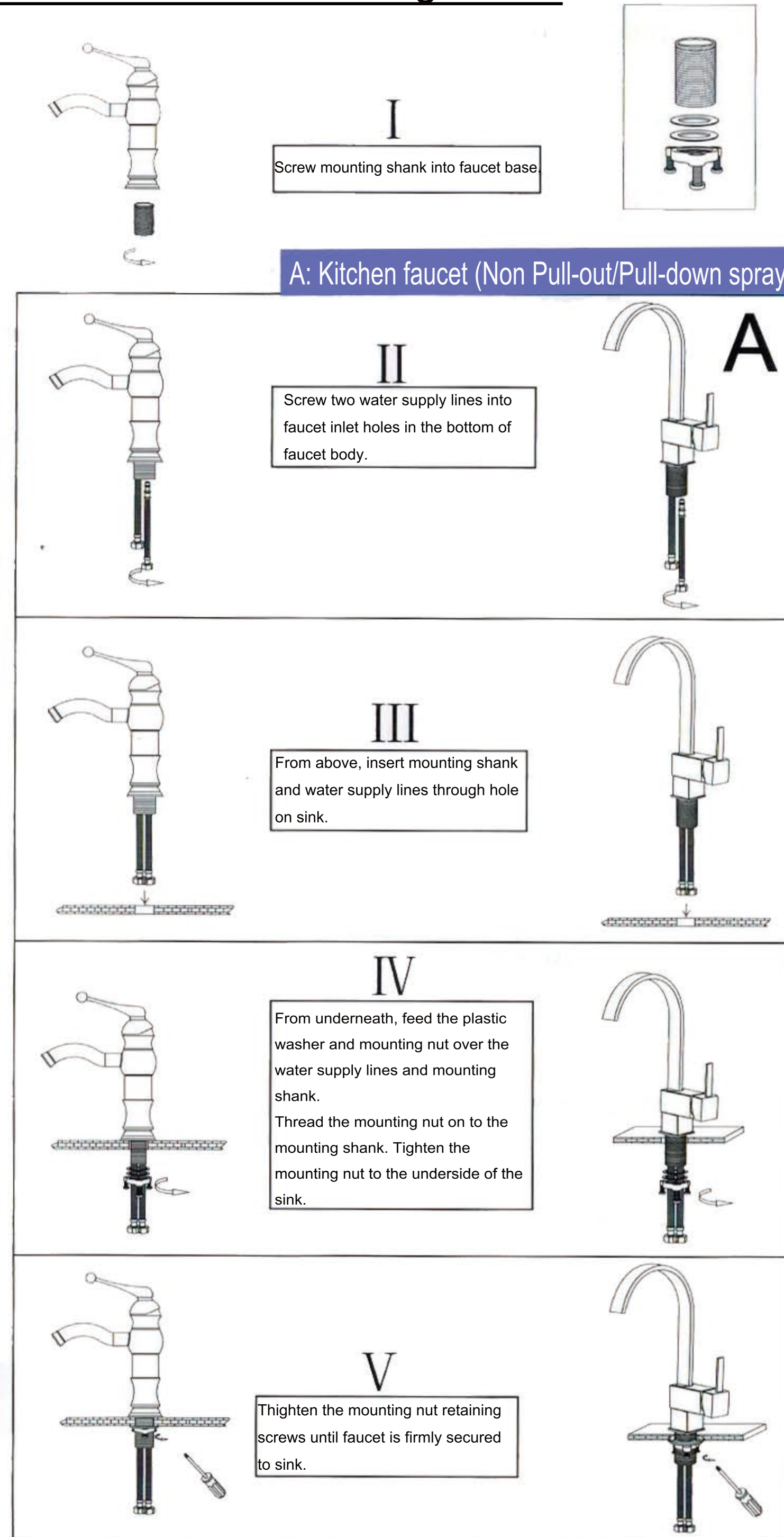
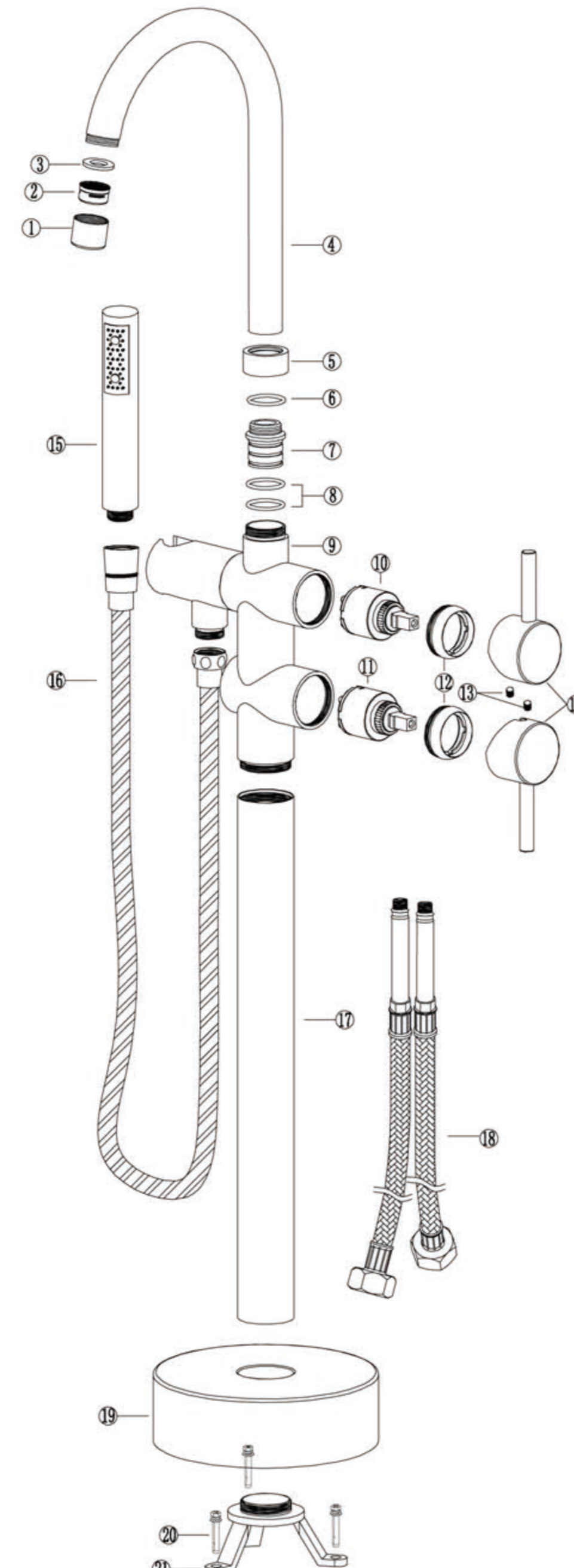


Basin Faucet- Mounting shank

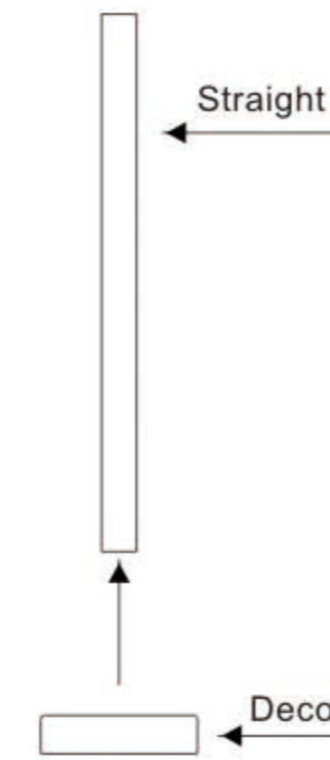
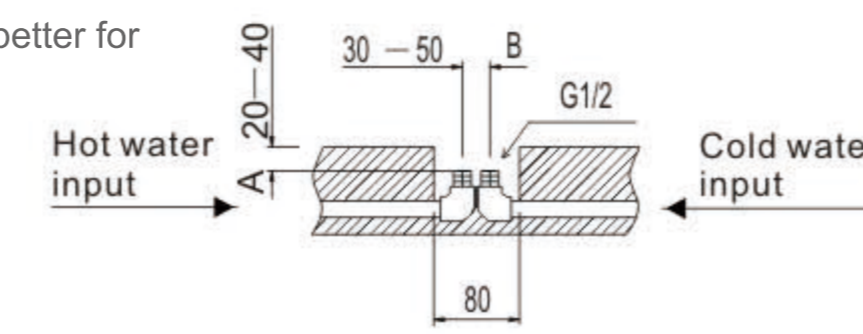


Freestanding bath mixer

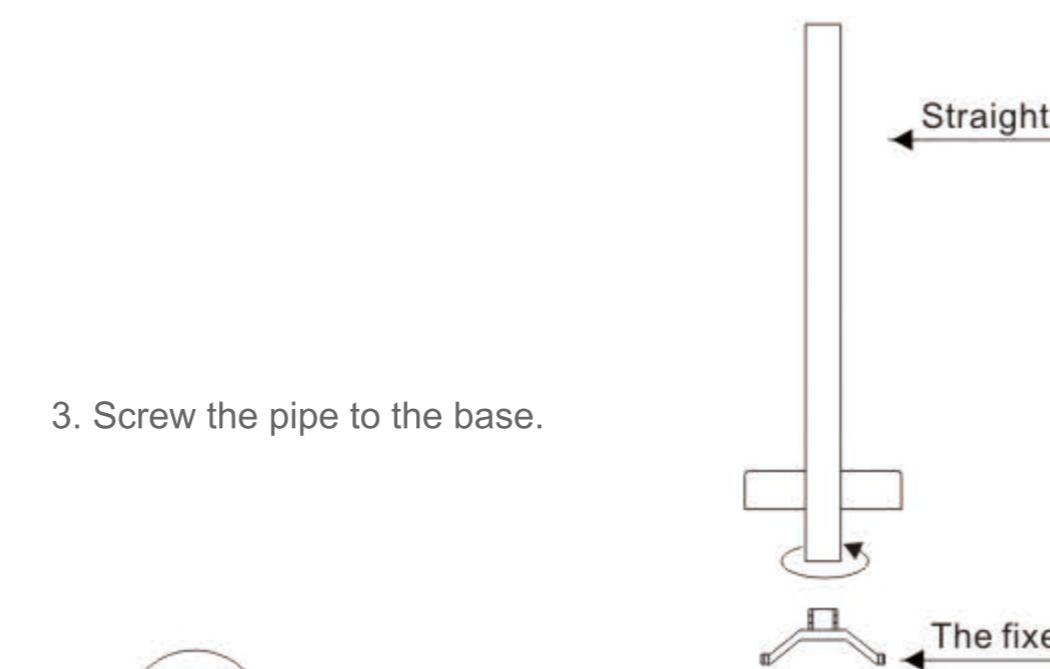


1. Please prepare the input pipes as right diagram.

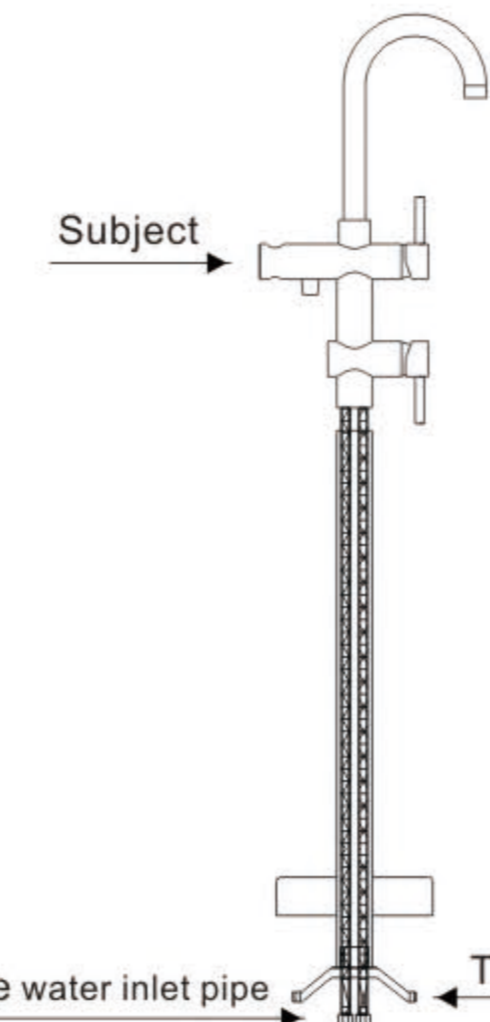
The depth of A is 30mm. The closer the better for distance of B.



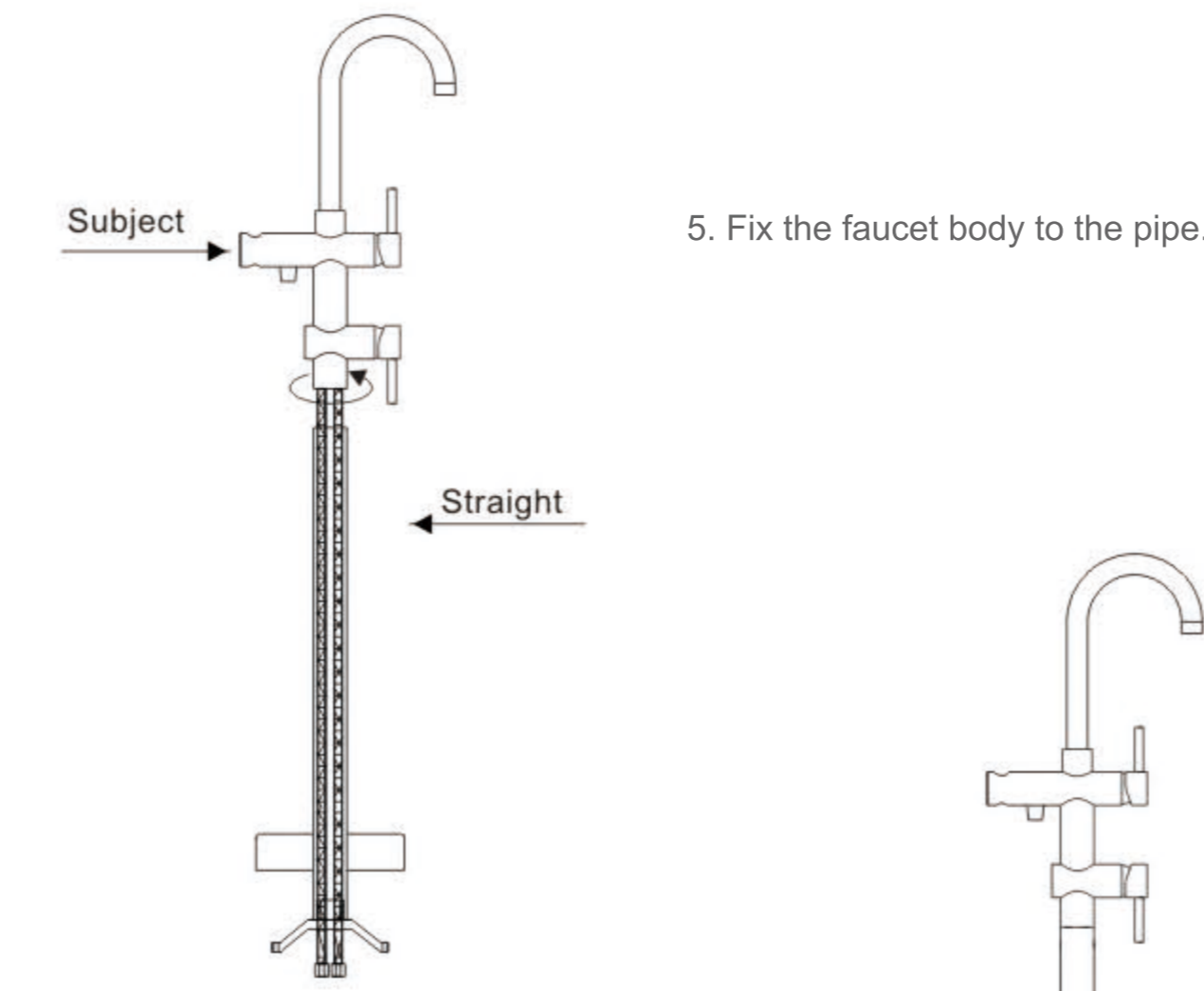
2. Put the base cover the pipe.



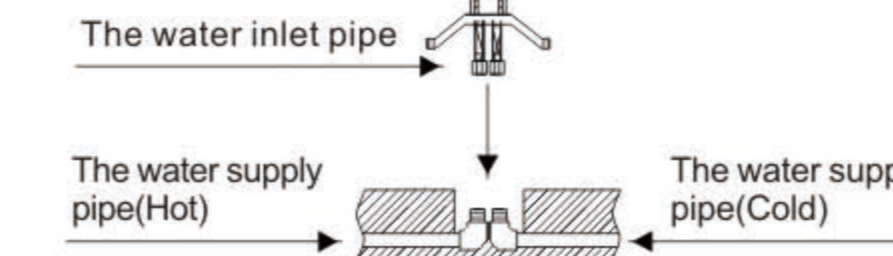
3. Screw the pipe to the base.



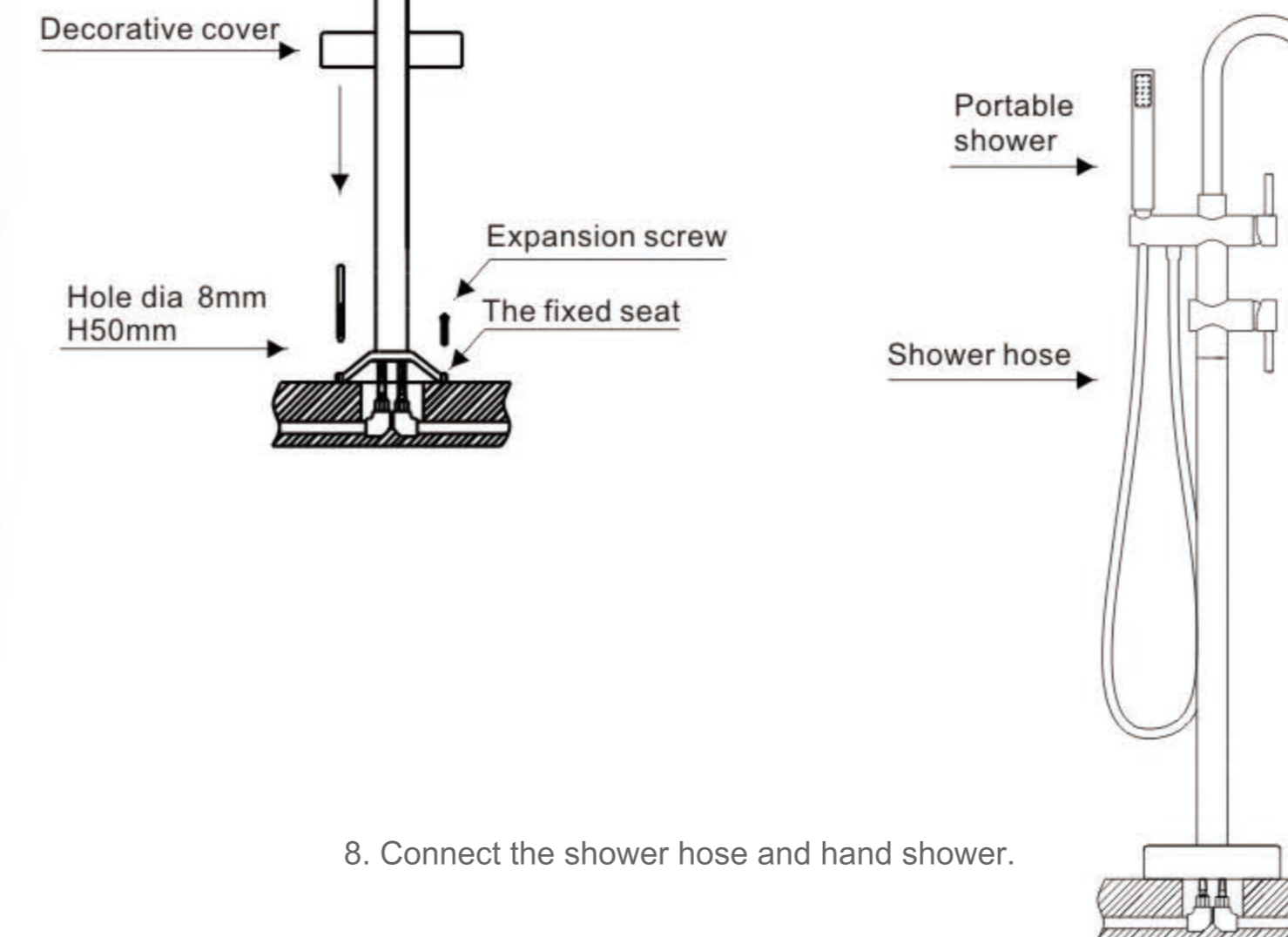
4. Install the flexible hose now and ensure the flexible hoses are hand tightened into place(DO NOT USE SPANNER TO TIGHTEN, AS IT CAN DAMAGE THE O-RING). The flexible hoses are to be fitted into the correct inlets for hot water and cold water.



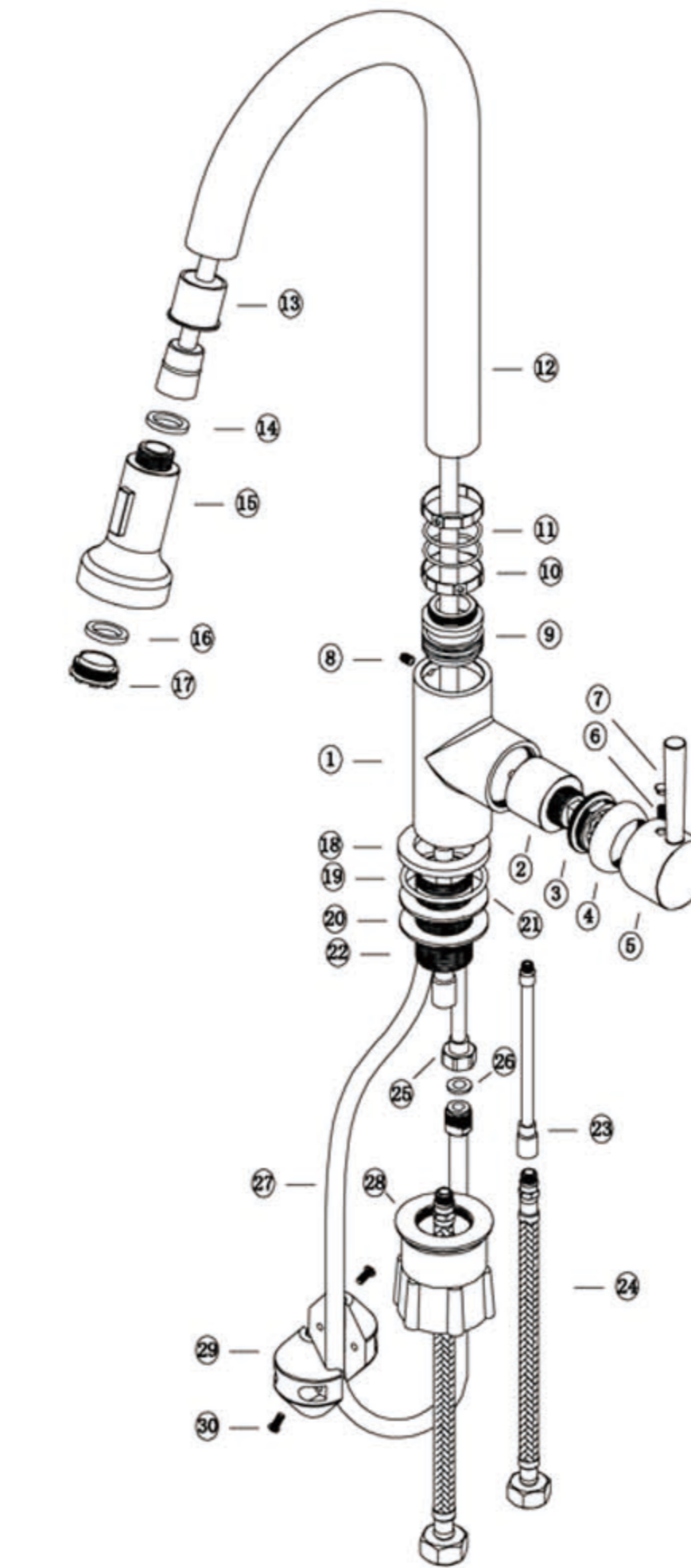
6. Connect another side of the flexible hose to the water supply pipe. Make sure they are to be fitted into the correct outlets for hot water and cold water.



7. Use the expansion screw to fix the base on the ground, and put the base cover over the base.



Pull out kitchen mixer



1. Place O-RING washer over the hole in kitchen where the mixer is to be installed.
2. Fit the mixer body onto the kitchen hole.
3. Place the mounting shank washer on top of the mounting shank plate and fit it onto the mounting bolt tighten up the mixer from the underneath of the sink by using the mounting nut.
4. Install the flexible hoses and ensure the flexible hoses are hand tightened into place (DO NOT USE SPANNER TO TIGHTEN AS IT WOULD DAMAGE THE O-RING). The flexible hoses are to be fitted into the correct inlets for hot water and cold water(Red band for hot and blue for cold)
5. Attach the weight ball to the lowest point on the longest water tube.
6. It's important to flush out the supply pipes before installing the mixer and connecting the flexible hoses to hot/cold water supply, regardless whether a stop valve and filter has been installed or not. This procedure will stop foreign objects entering the cartridge.

Spring kitchen mixer

Installation instructions

1. Place O-RING washer over the hole in kitchen where the mixer is to be installed.
2. Fit the mixer body onto the kitchen hole.
3. Place the mounting shank washer on top of the mounting shank plate and fit it onto the mounting bolt tighten up the mixer from the underneath of the sink by using the mounting nut.
4. Install the flexible hoses and ensure the flexible hoses are hand tightened into place (DO NOT USE SPANNER TO TIGHTEN AS IT WOULD DAMAGE THE O-RING). The flexible hoses are to be fitted into the correct inlets for hot water and cold water(Red band for hot and blue for cold)
5. It's important to flush out the supply pipes before installing the mixer and connecting the flexible hoses to hot/cold water supply, regardless whether a stop valve and filter has been installed or not. This procedure will stop foreign objects entering the cartridge.

