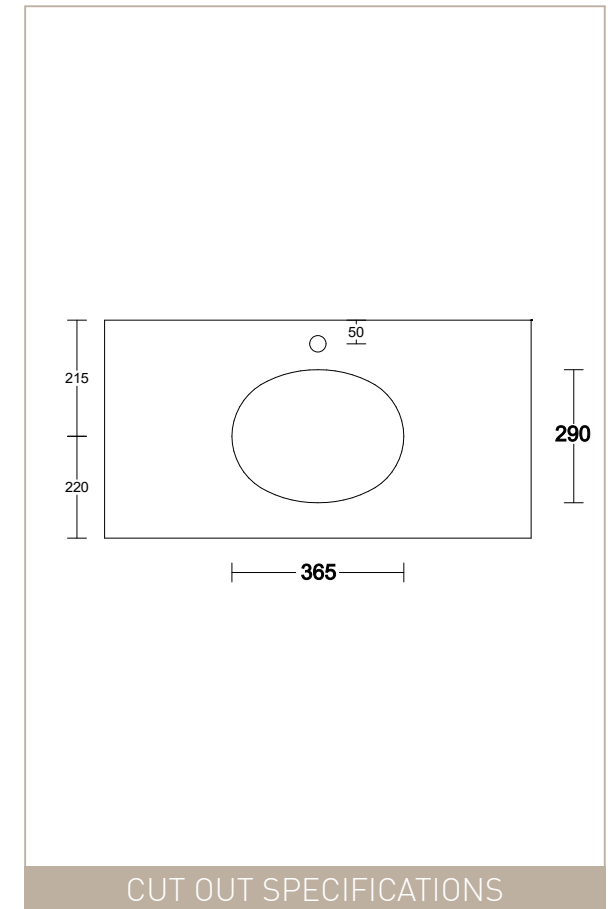
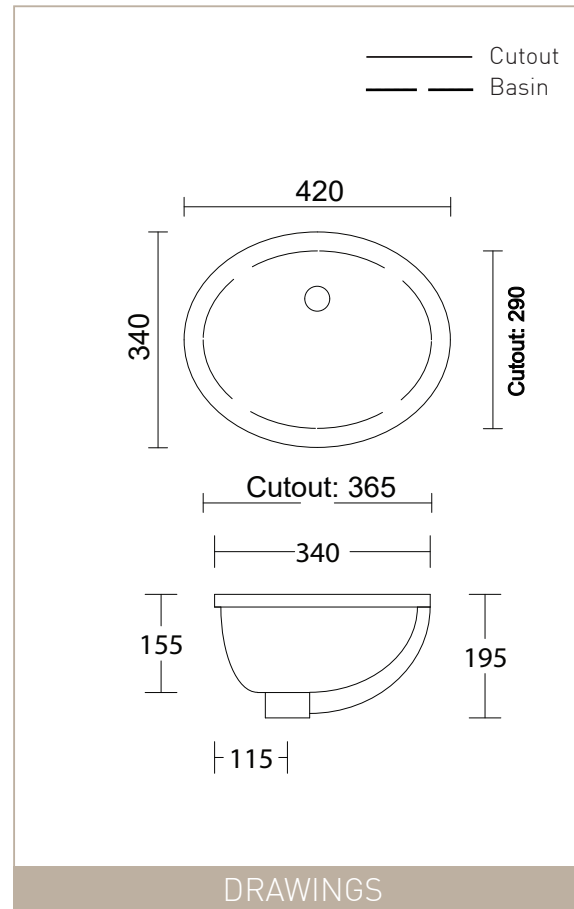


OVAL UNDERMOUNT

WG = White Gloss Available



NOTE: Waste not included **Waste Size:** 32mm **Overflow to:** Front of Basin
Minimum Depth: 460mm with taphole behind, 420mm without taphole behind