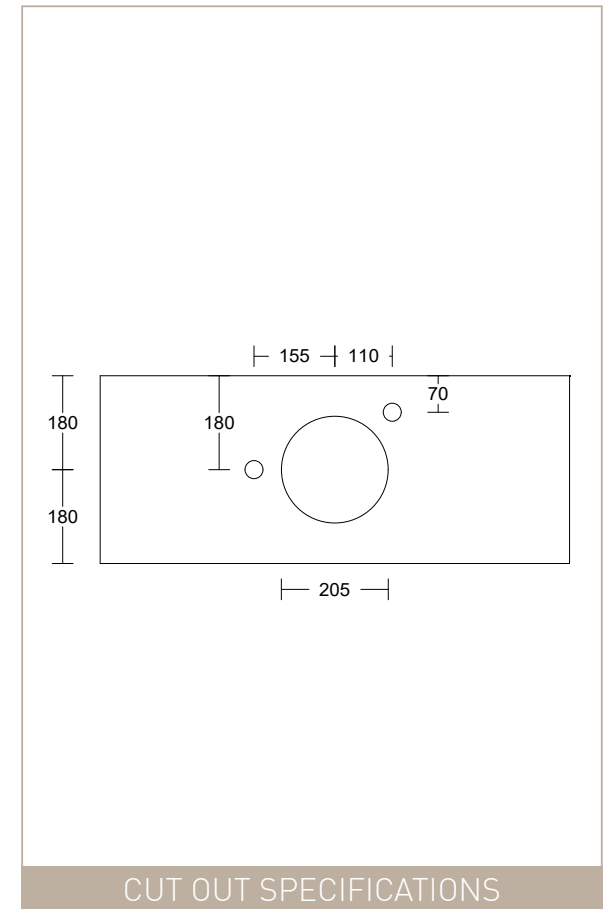
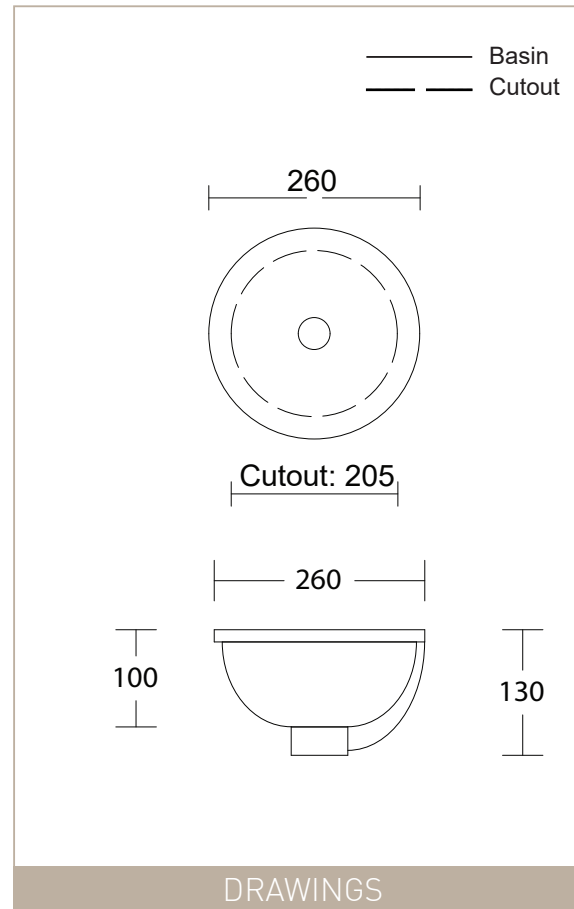


MINI ROUND UNDERMOUNT

WG = White Gloss Available



NOTE: Waste not included **Waste Size:** 32mm **Overflow to:** Front of Basin
Minimum Depth: 375mm with taphole behind, 340mm without taphole behind