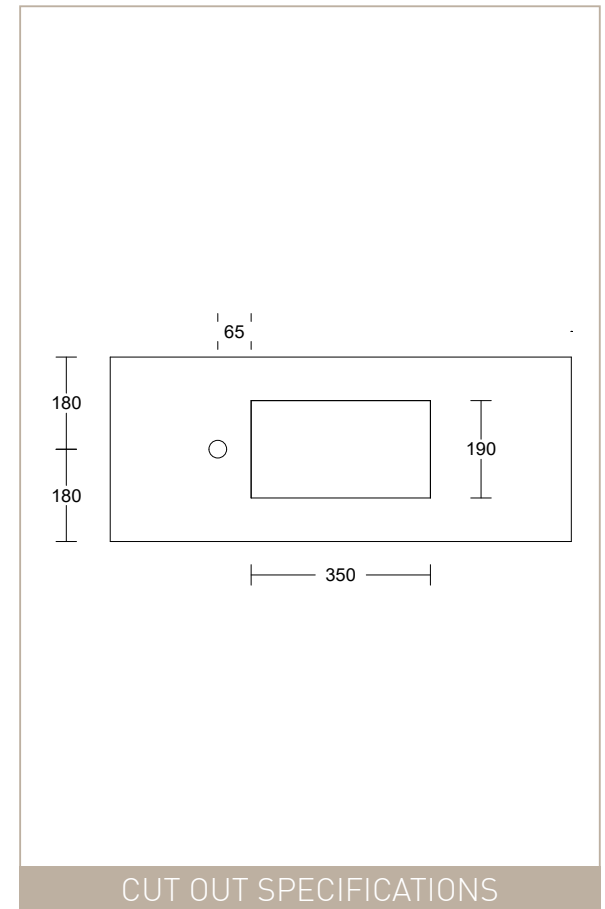
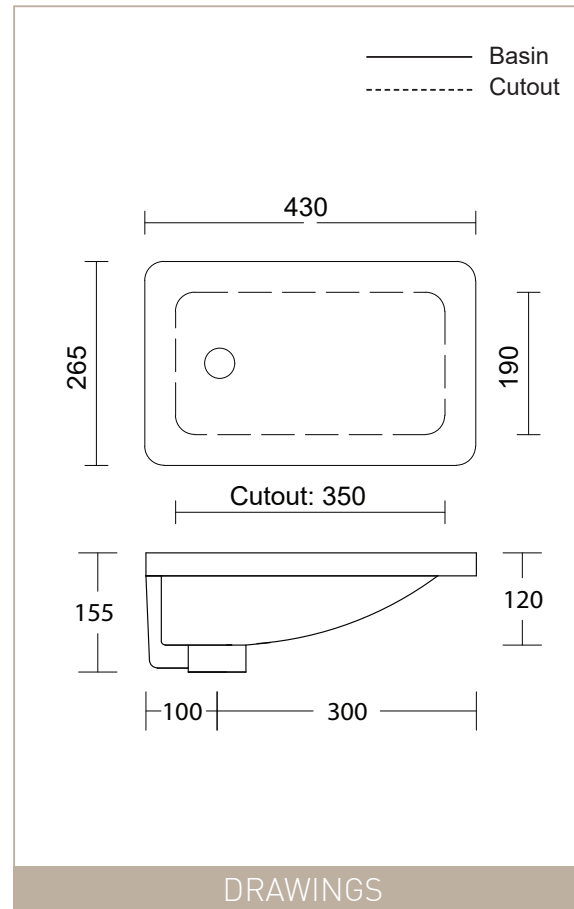


MINI RECTANGLE UNDERMOUNT

WG = White Gloss Available

Basin reversible - waste hole available on left or right side



NOTE: Waste not included **Waste Size:** 32mm **Overflow to:** Side of Basin
Minimum Depth: 350mm (taphole must be offset)