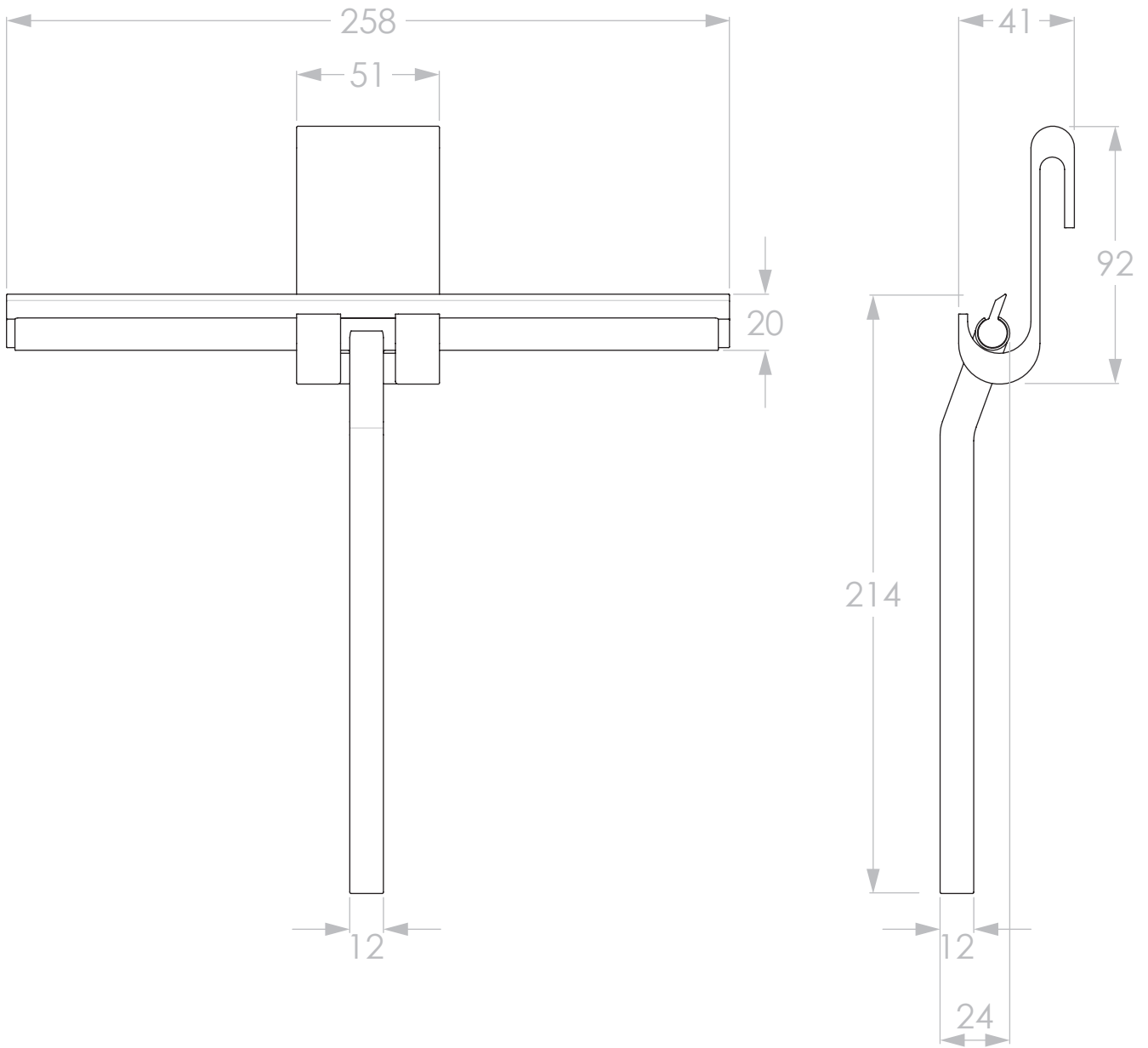


PRODUCT:	SQUEEGEE
SIZE:	214H x 24D x 258W
TYPE:	ACCESSORY
VERSION: 01	DATE: 14/04/2023

CHROME  
 MATTE WHITE  
 MATTE BLACK  
 BRUSHED NICKEL  
 BRUSHED BRASS  
 BRUSHED COPPER

JTAPSQCP  
 JTAPSQWH  
 JTAPSQBK  
 JTAPSQNK  
 JTAPSQBB  
 JTAPSQBCO



DO NOT MEASURE FROM DRAWING.  
 ALL DIMENSIONS ARE IN MILLIMETRES.  
 ALL DIMENSIONS ARE NOMINAL AND SUBJECT TO CHANGE.  
 DO NOT DRILL OR ROUGH IN UNTIL YOU HAVE RECEIVED AND MEASURED YOUR PRODUCT.