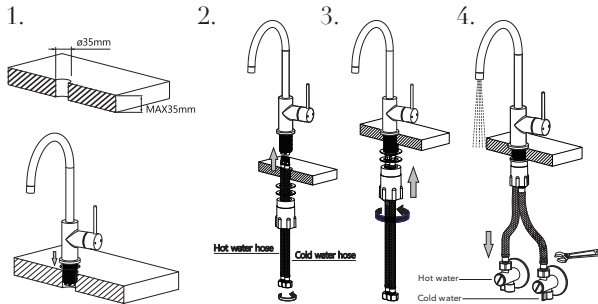
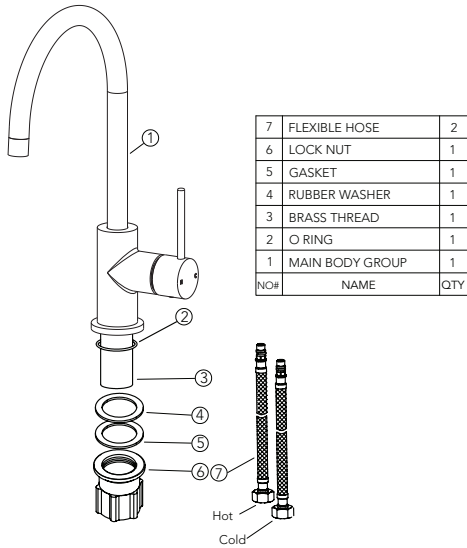


Soul Sink Mixer.



Main body installation

- UNPACK:** Remove the faucet from the packaging, rotate Lock Nut (6) anti-clockwise to remove from Brass Thread (3).
- GATHER:** Please ensure O-Ring (2), Rubber Washer (4) and Gasket (5) are also removed from Brass Thread (3) and placed in a safe place as they will be required for installation.
- SEAT:** Ensure the Brass Thread (3) is tightly fastened to the Main Body (1). Insert Main Body (1), Brass Thread (3) and O-Ring (2) into tap hole from the top. Correct the installation angle of the Main Body, most commonly facing the waste hole in the basin, then insert Rubber Washer (4), followed by Gasket (5) onto Brass Thread (3) from the underside of the top.
- FASTEN:** Fasten Lock Nut (6) onto Brass Thread (3) by turning it clockwise until all components (5), (4) and (2) are tightly locked to the Brass Thread, and the Main Body is firm. This will create a water-tight seal.

Water connection

- INSERT:** Install Flexible Hoses (7) from the bottom of the Main Body (through centre of Brass Thread) and turn clockwise to hand tighten. Do not overtighten as this may cause the flexible hose to kink and limit or block the water supply or pressure.
- CONNECT:** Connect the Flexible Hoses to the hot and cold stop valves (water supply) and tighten clockwise with wrench. Ensure faucet lever is the closed position, turn on the hot and cold stop valves to ensure there are no water leaks from the stop valves or the Flexible Hoses.
- NOTE:** Make sure that the hot and cold Flexible Hoses are connected properly, with the hot on the left, and the cold on the right, when standing in front of the faucet.

Seal test



- CLOSED:** Turn on the main water and rotate the cartridge in its closed position, between hot and cold connection (anti-clockwise/clockwise), testing the pressure resistance and sealing performance of the pipeline to ensure there are no water leaks.
- OPEN:** Open the cartridge (ON direction), checking for any water leakage from the Main Body and the connections or cartridge. Leaking connections are not covered by the warranty, please check and re-fit accordingly.