



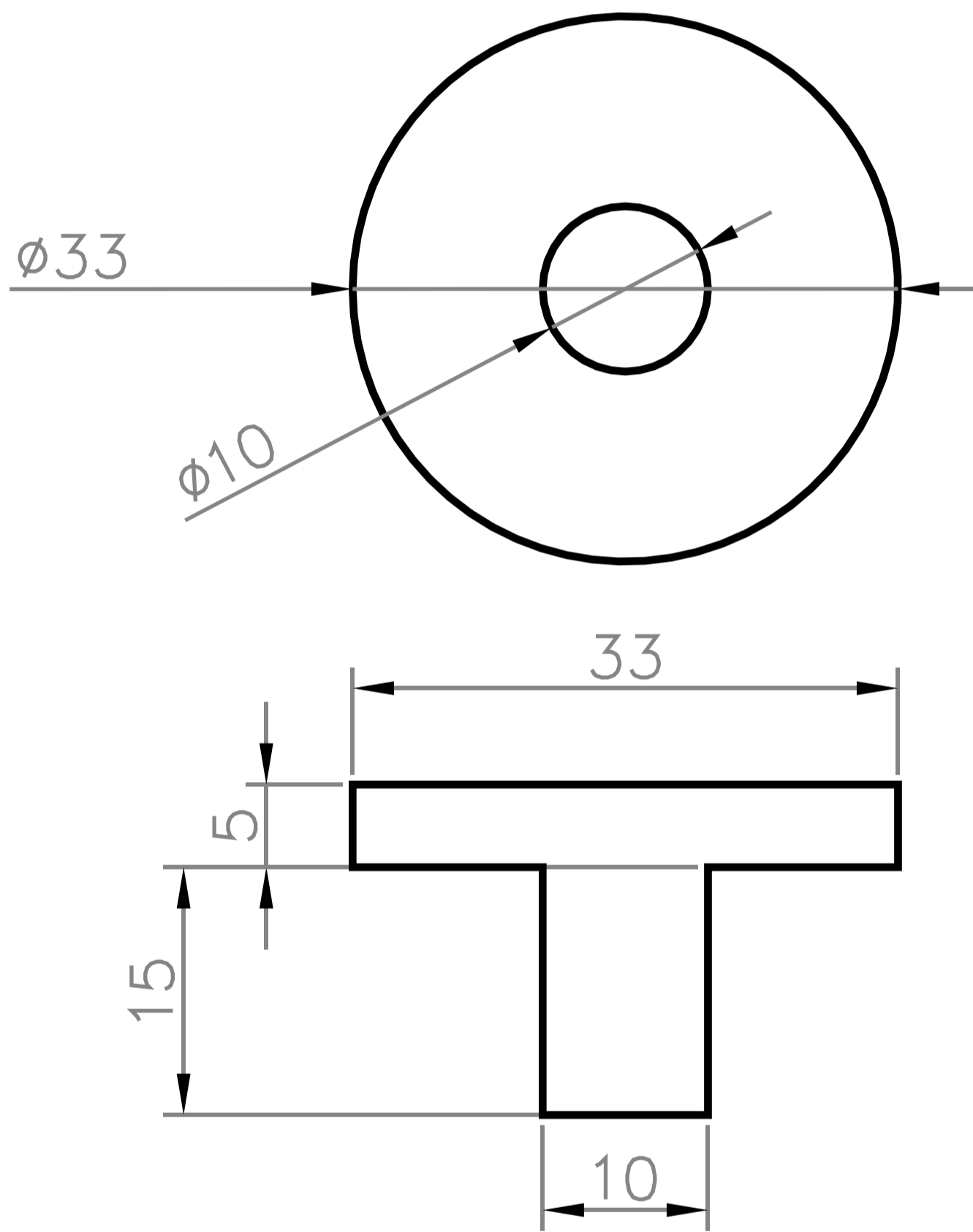
Designer Hardware

TECHNICAL SPECIFICATIONS

EMMETT

Cabinet Knob & Pull

Technical Drawing

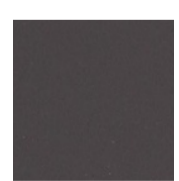


Material: Solid Brass

Finish



Brushed Brass DKB-EMM-BBR-32



Matte Black DKB-EMM-MBK-32

SKU

Included Hardware

- 1x M4 Screw 25mm
- 1x M4 Screw 40mm
- 1x Wall Plug
- 1x Hook Fitting
- 2x Spring Washer

