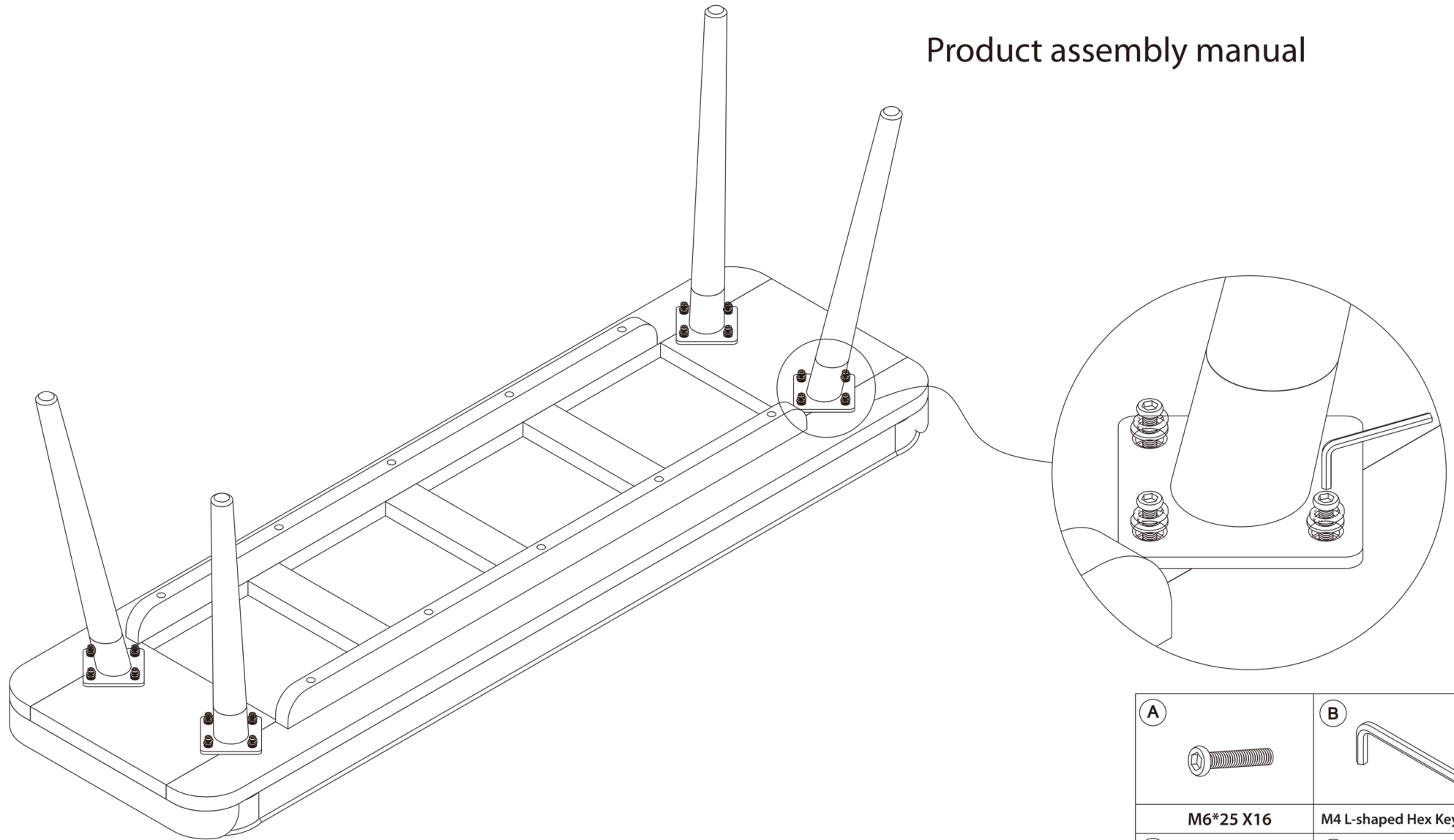

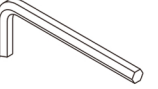
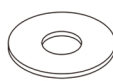
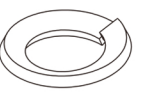


ASSEMBLY INSTRUCTION

Product assembly manual



A 	B 
M6*25 X16	M4 L-shaped Hex Key X 1
C 	D 
Flat washer X 16	Split lock washer X 16