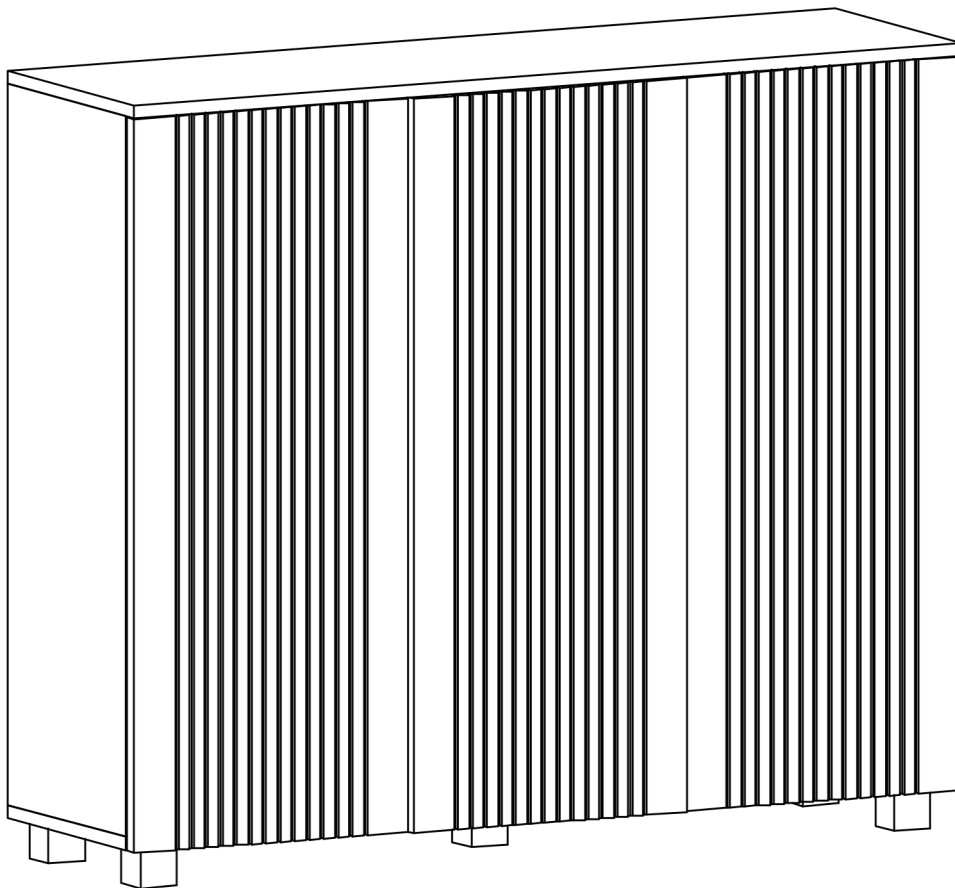


# shoecab-mtp-SG002-br wn



**WARNING**



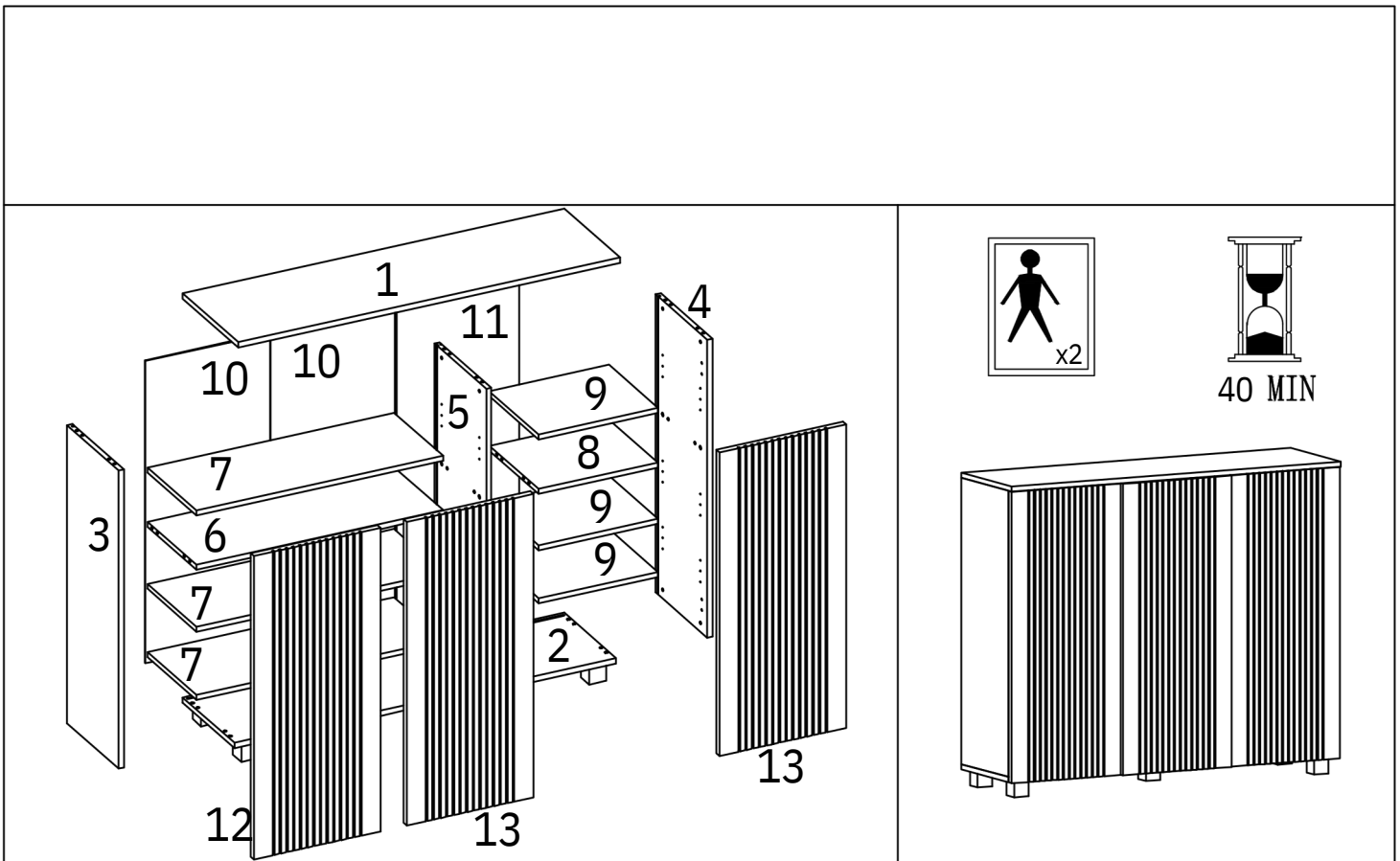
**TIP-OVER HAZARD**



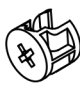

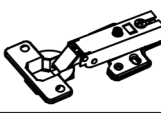


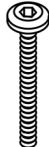




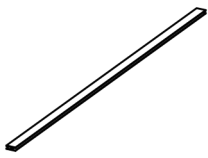
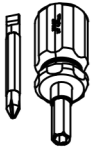
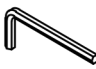
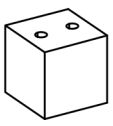









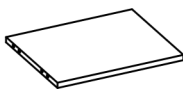
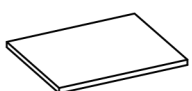


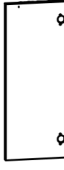
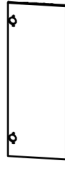
Children have died from furniture tip over

- ALWAYS secure this furniture with an anchor device
- NEVER allow children to stand, climb or hang on the drawers, doors, or shelves
- NEVER open more than one drawer at a time
- Place heavy items down low
- NEVER put a TV on this furniture

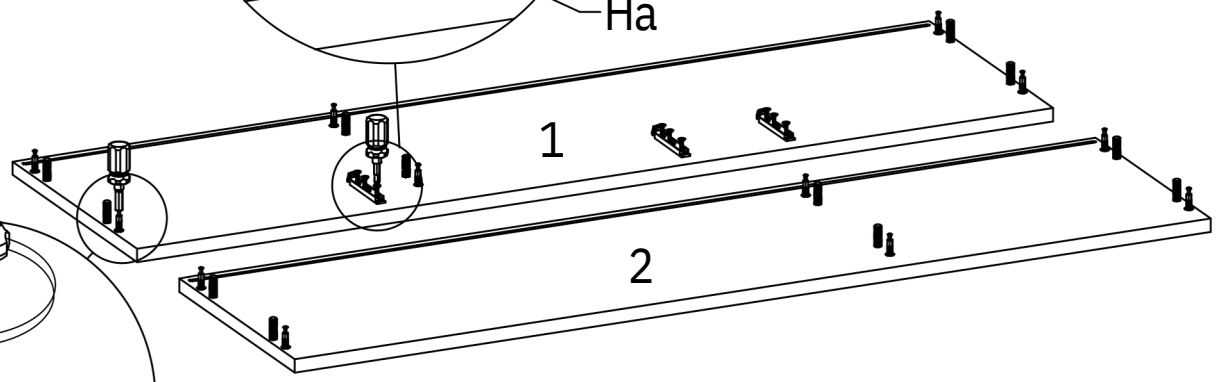
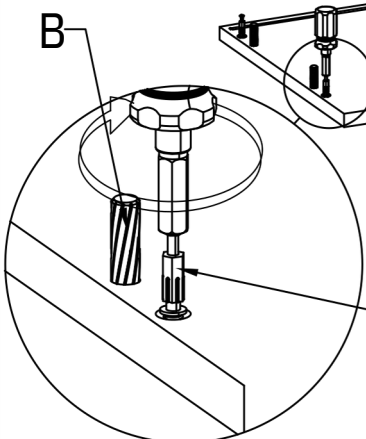
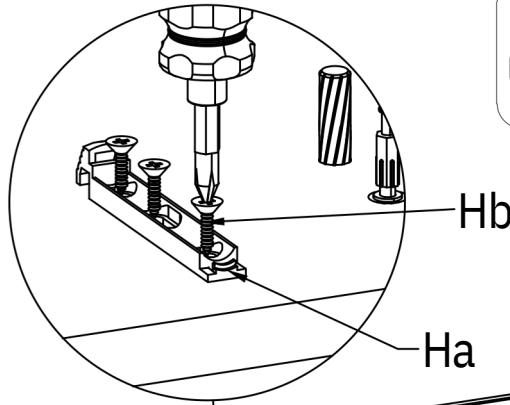
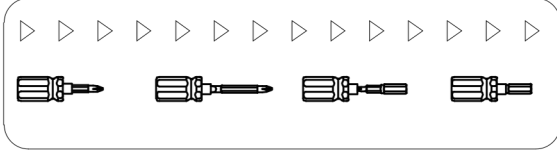
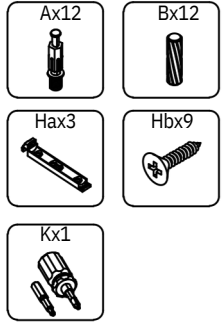
***Anti-tip kit not included. For safety, anti-tip kits can be purchased separately at local hardware stores***

If you have any questions about the installation or safety of this product, please contact customer service for assistance.

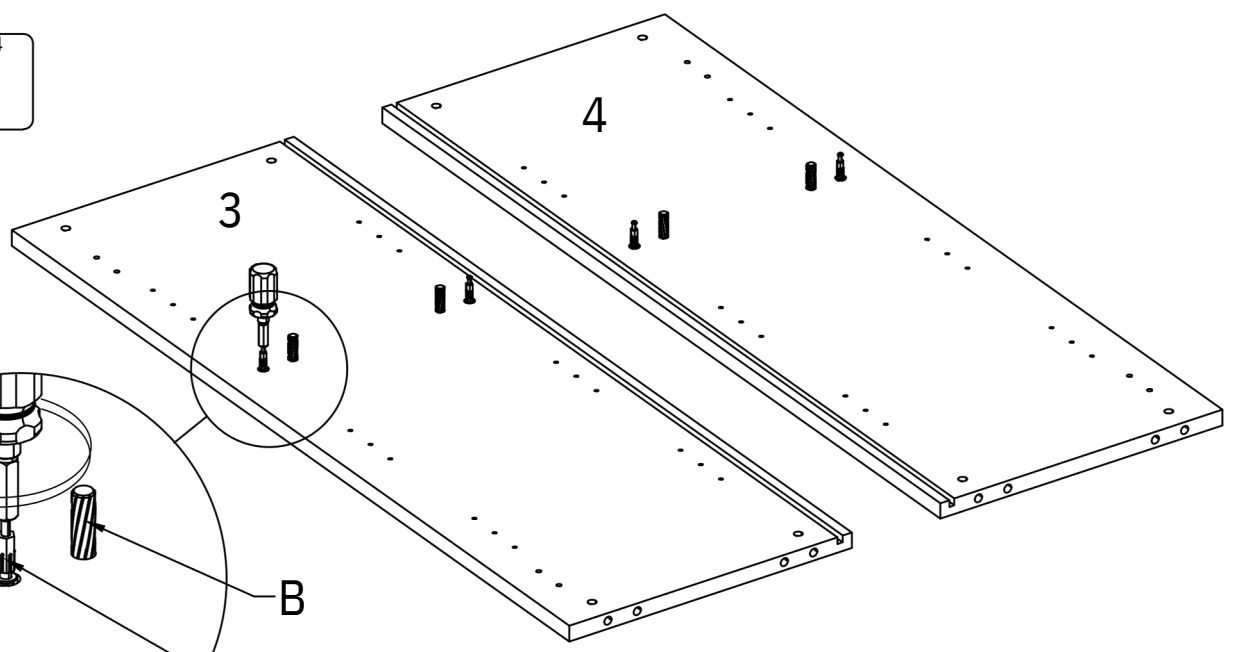
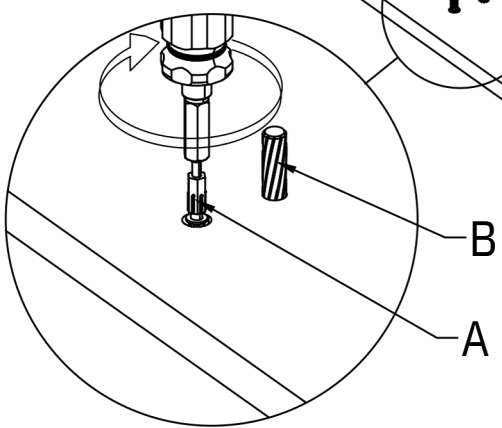
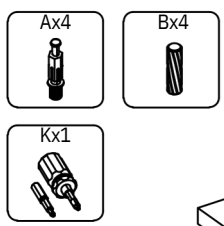


<p>A</p>  <p>x20</p>	<p>B</p>  <p>8x40mm x20</p>	<p>C</p>  <p>x20</p>	<p>D</p>  <p>x28</p>	<p>E</p>  <p>a x4</p>  <p>b M4x16mm x24</p>		
<p>F</p>  <p>M3.5x14mm x28</p>	<p>G</p>  <p>MM66x45x105mm x9</p>	<p>H</p>  <p>a x3</p>  <p>b x3</p>  <p>c x3</p>	<p>I</p>  <p>x24</p>	<p>J</p>  <p>x1</p>		
<p>K</p>  <p>x1</p>	<p>L</p>  <p>x1</p>	<p>M</p>  <p>x5</p>	<p>N</p>  <p>a x2</p>  <p>b M4x16mm x12</p>			
<p>1</p>  <p>1140x330x16mm x1</p>	<p>2</p>  <p>1140x307x16mm x1</p>	<p>3</p>  <p>888x307x16mm x1</p>	<p>4</p>  <p>888x307x16mm x1</p>	<p>5</p>  <p>888x307x15mm x1</p>	<p>6</p>  <p>736x291x15mm x1</p>	
<p>7</p>  <p>736x291x15mm x3</p>	<p>8</p>  <p>356x291x15mm x1</p>	<p>9</p>  <p>356x291x15mm x3</p>	<p>10</p>  <p>901x372x5mm x2</p>	<p>11</p>  <p>901x366x5mm x1</p>	<p>12</p>  <p>904x378x18mm x1</p>	<p>13</p>  <p>904x378x18mm x2</p>

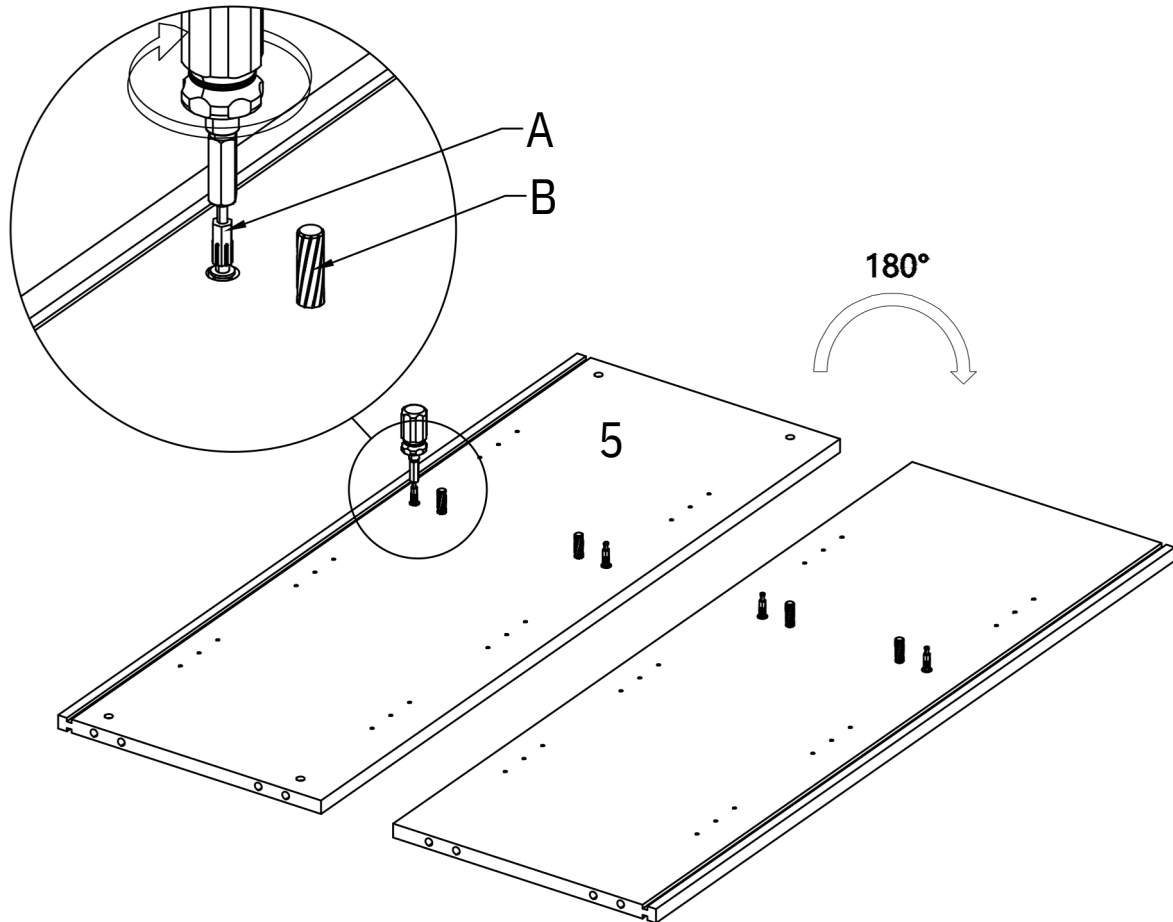
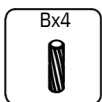
1



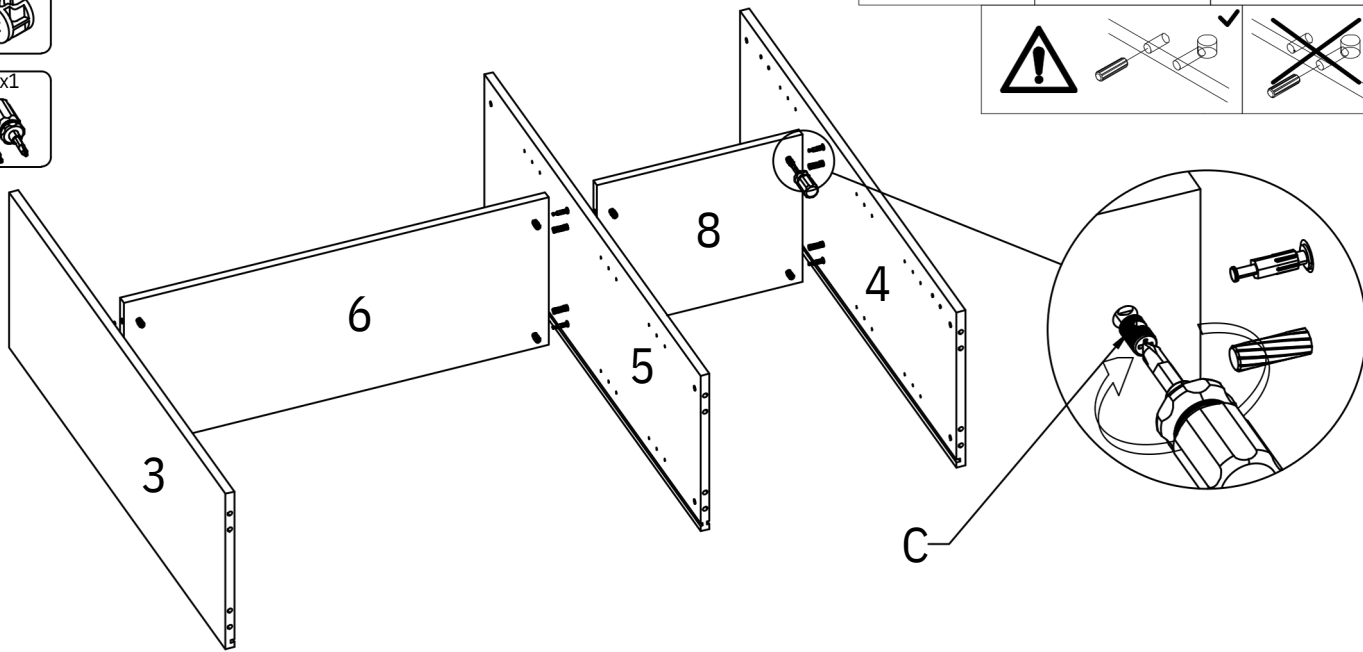
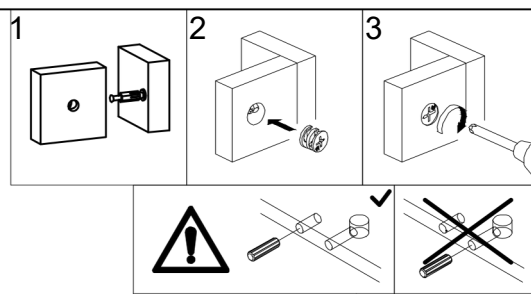
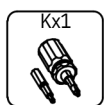
2



3

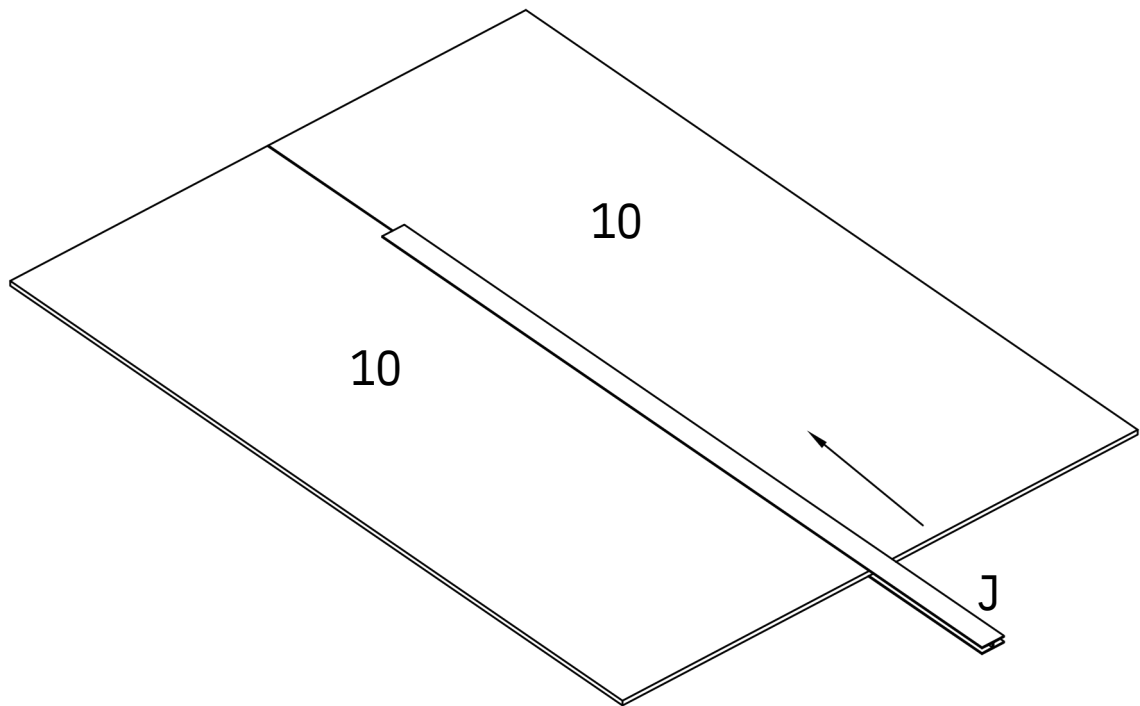


4

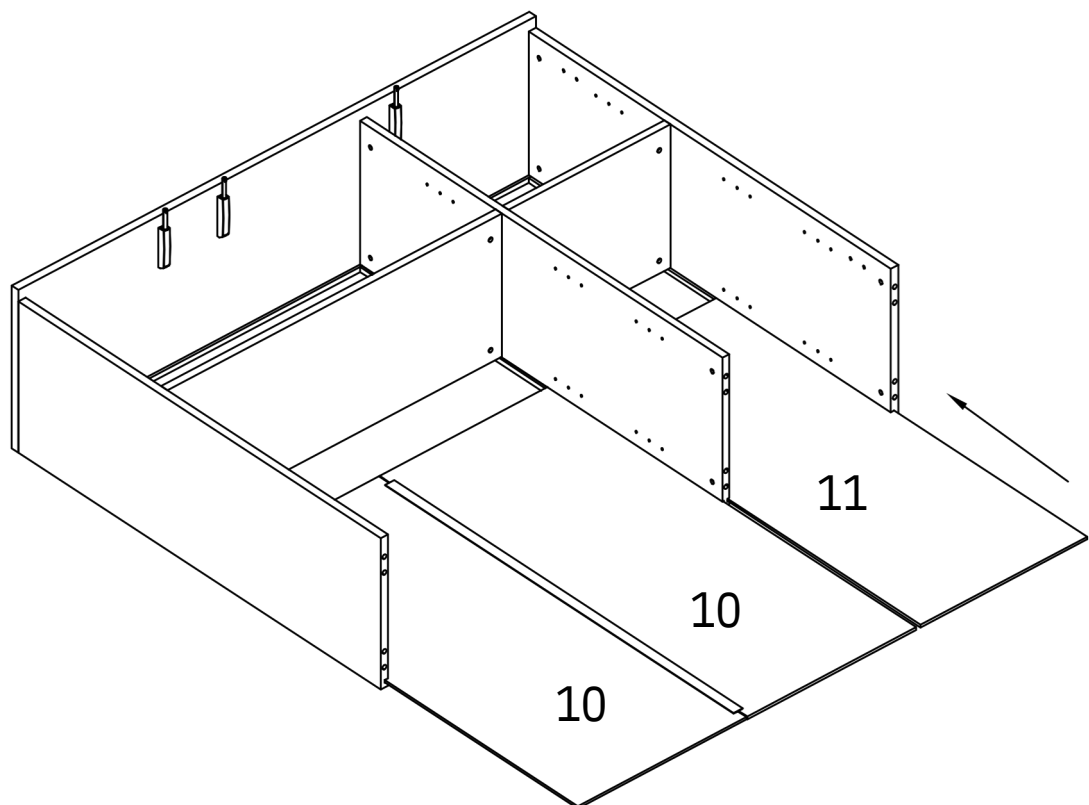




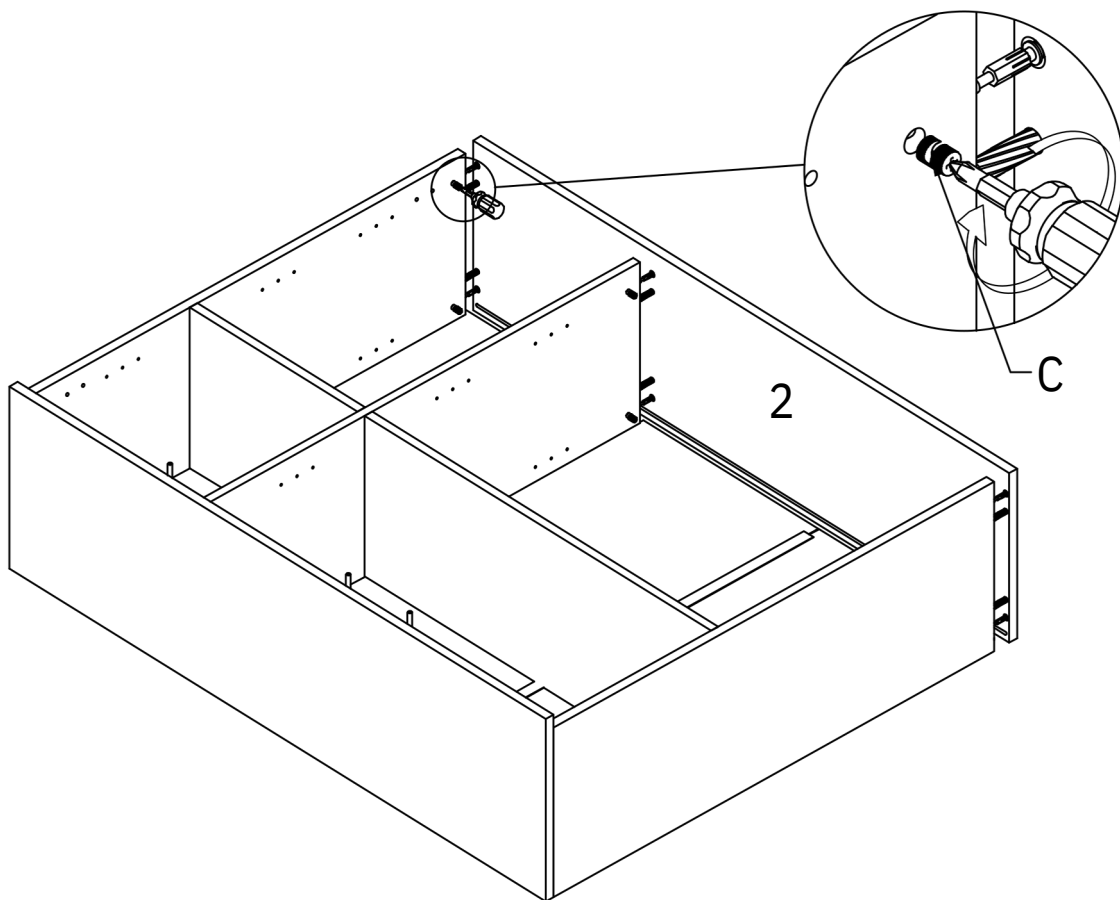
7



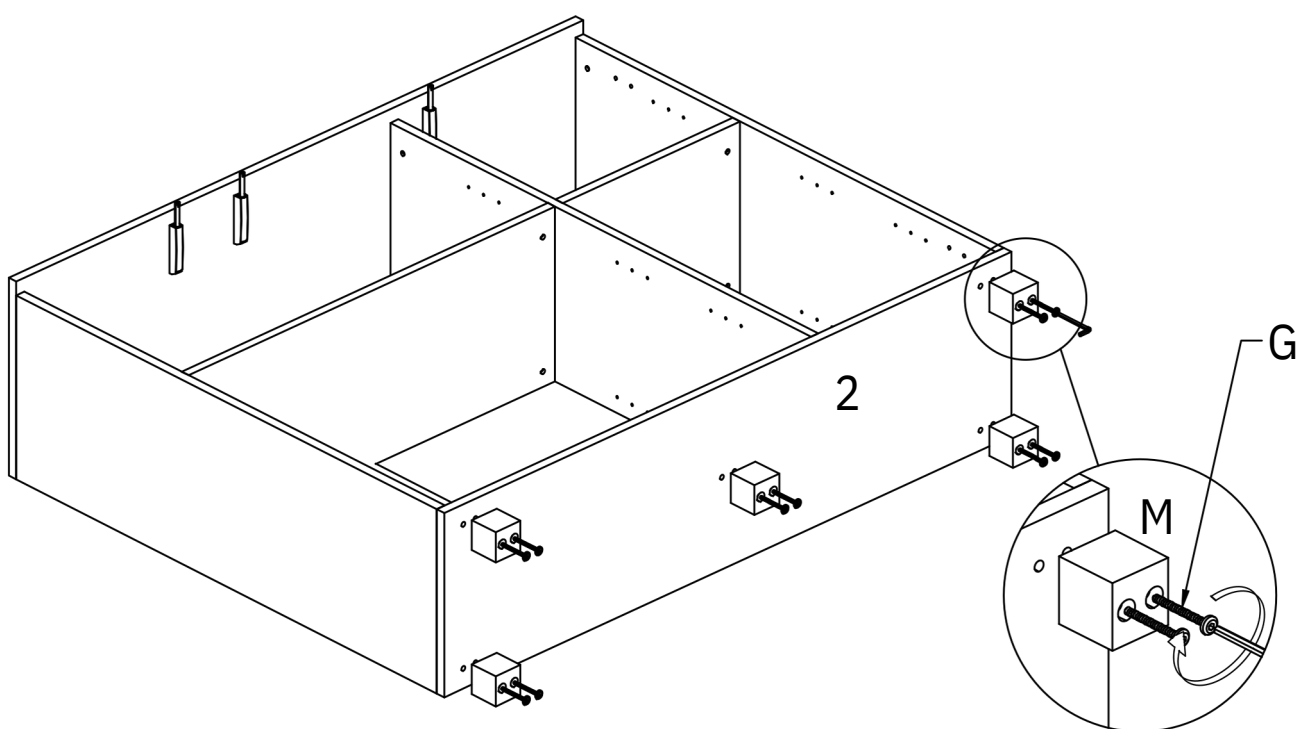
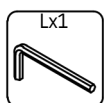
8



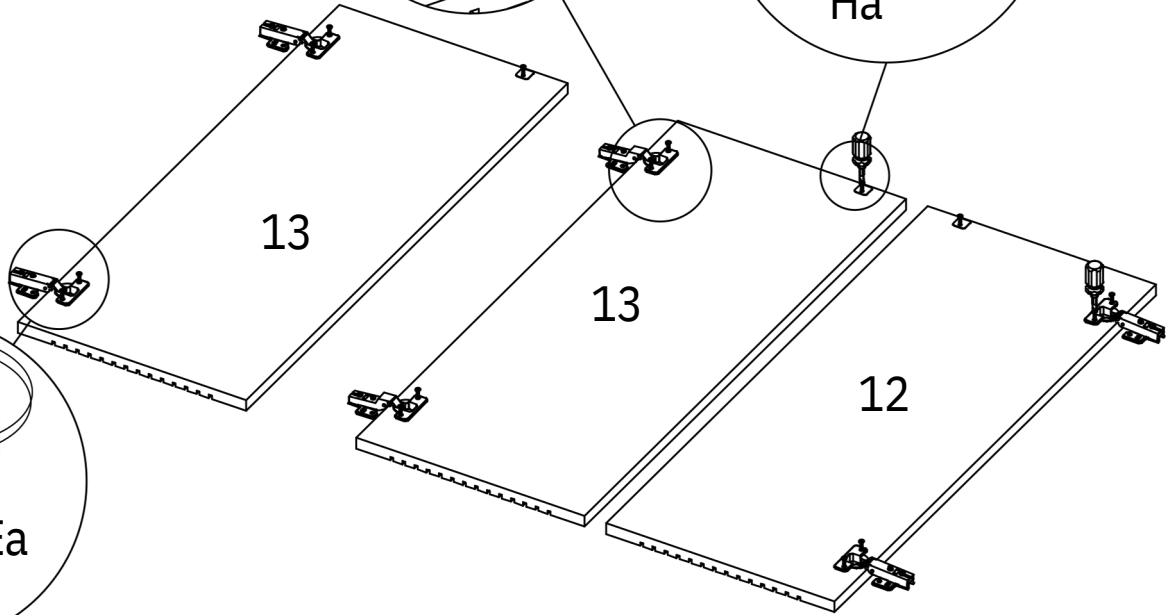
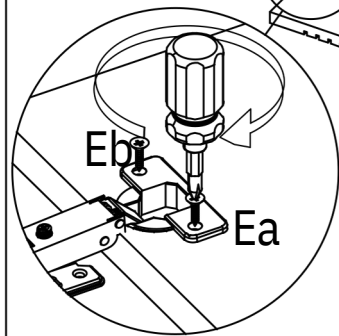
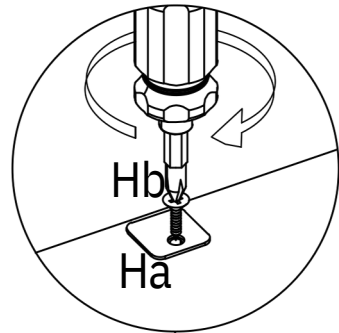
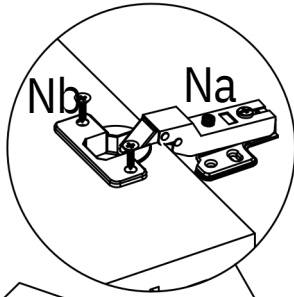
9



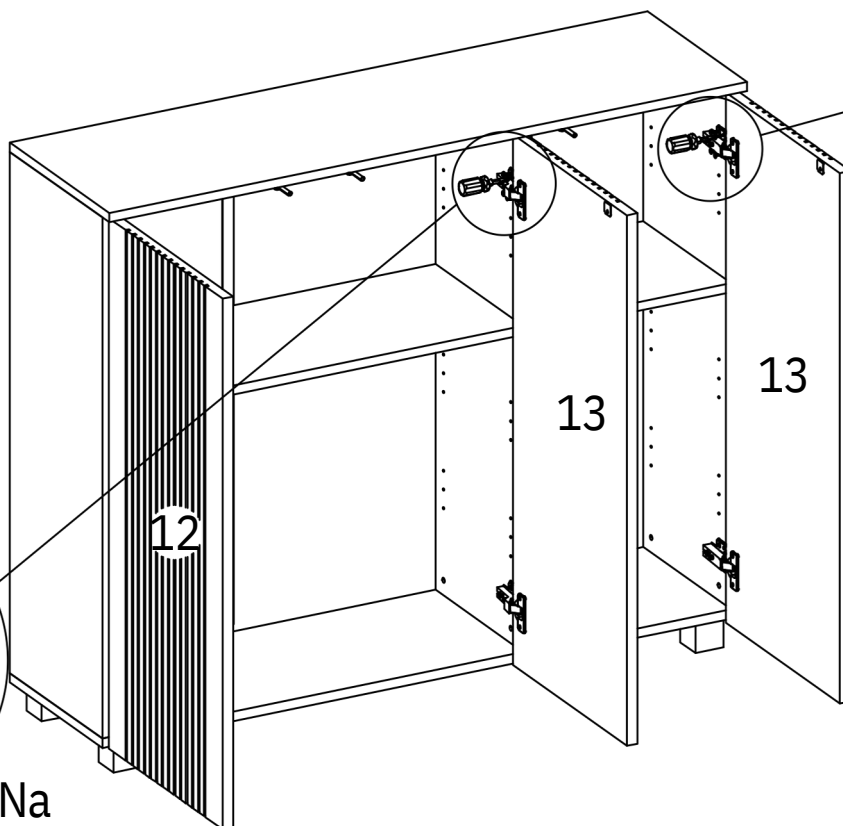
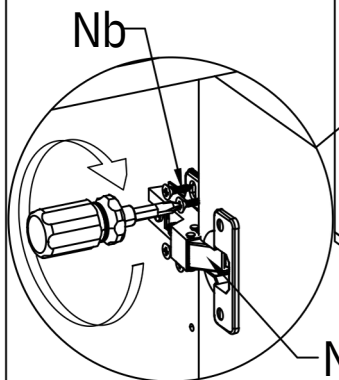
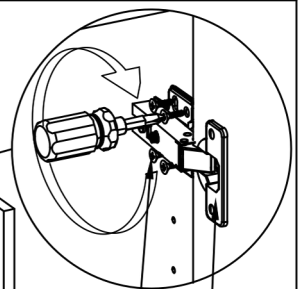
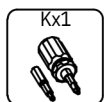
10



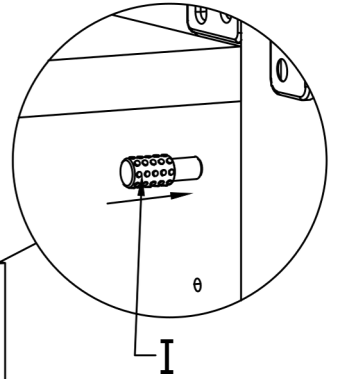
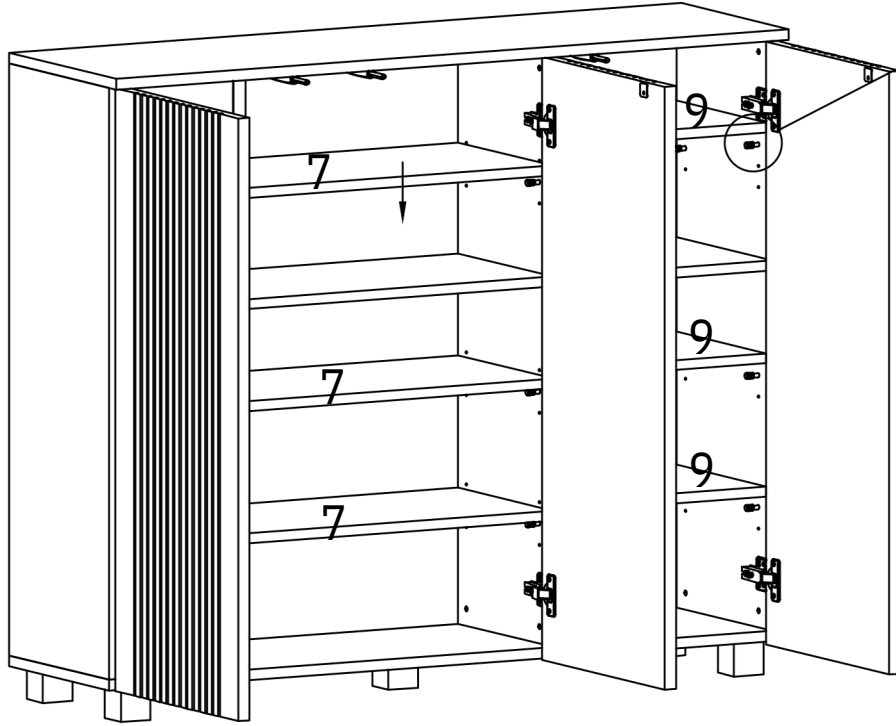
# 11



# 12



13



14

