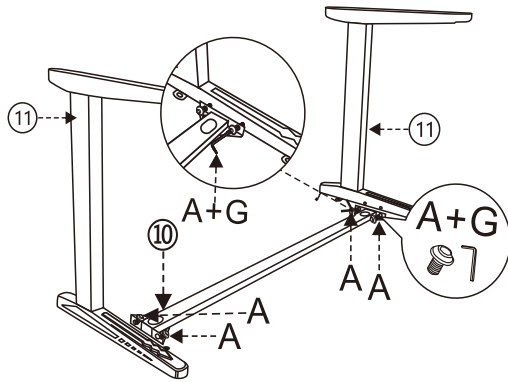
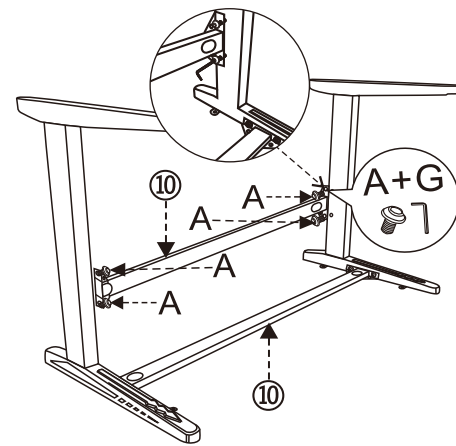


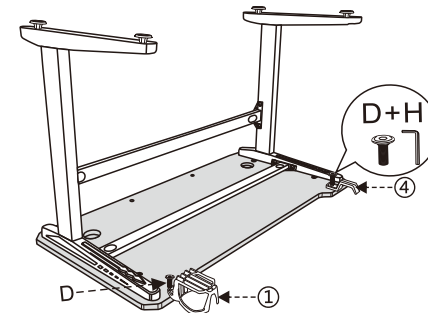
### Step 1



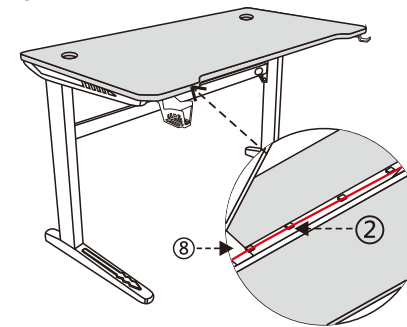
### Step 2



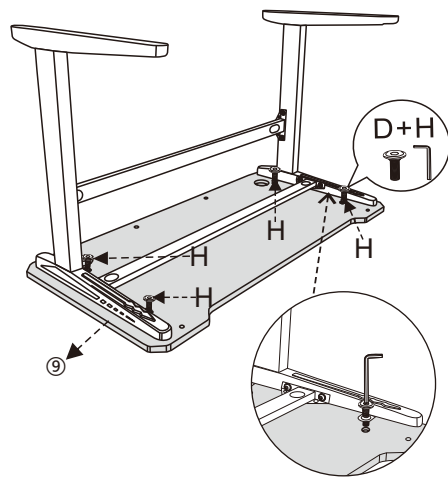
### Step 5



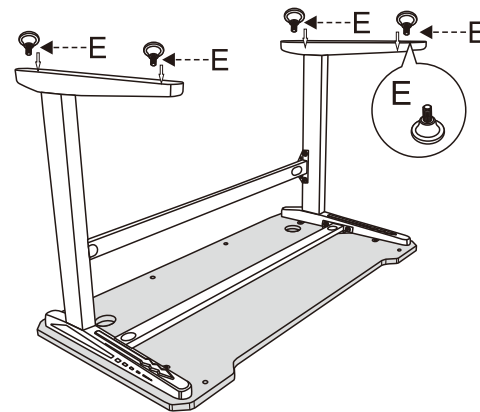
### Step 6



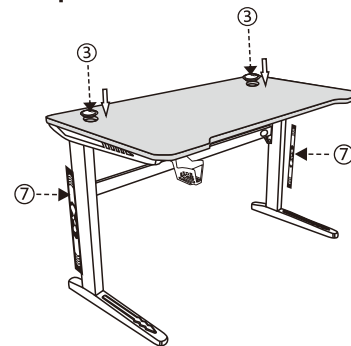
### Step 3



### Step 4

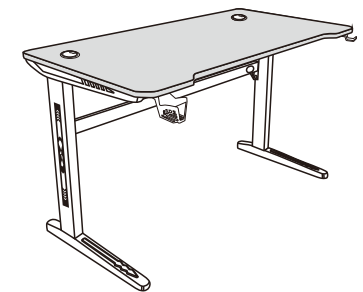


### Step 7



### Gaming table installation diagram

A		M8x8
D		M6x6
E		M8x4
F		x1
G		M8x1
H		M6x1
①		x1
②		x4
③		x2
④		x1
⑦		x2
⑧		x1
⑨		x1
⑩		x2
⑪		x1
⑫		x1



Remarks: Please use the remote controller close to the receiver when change the color and modes.