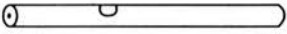




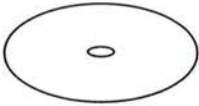
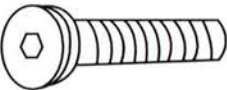

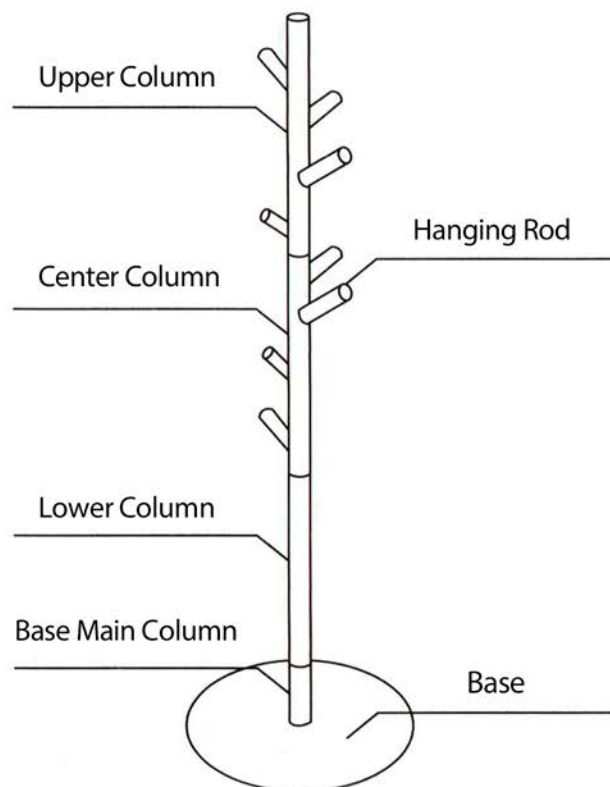


# Assembly Manual

<p>(A) Upper Column = 1</p> 	<p>(B) Middle Column = 1</p> 	<p>(C) Lower Column = 1</p> 
<p>(D) Hanging Rod = 8</p> 	<p>(E) Base Main Column = 1</p> 	<p>(F) Base = 1</p> 

<p>(G) Hexagon Socket Screw = 1</p> 
<p>(H) Hexagonal Wrench = 1</p> 



# Assembly Manual

## Assembly Steps

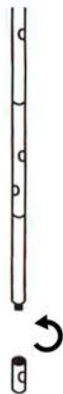
- ① Connect the upper column (A) and middle column (B)



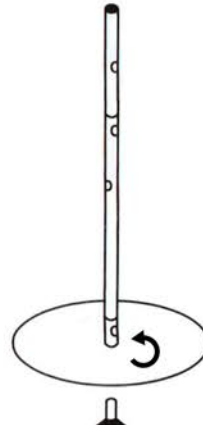
- ② Connect the middle column (B) and lower column (C)



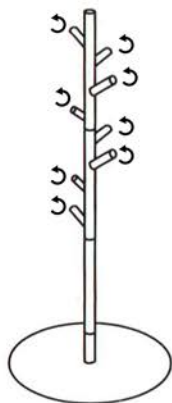
- ③ Connect the lower column (C) and the base main column (E)



- ④ Connect to the base (F)



- ⑤ Attach the hanging rods (D)



- ⑥ Installation done.

