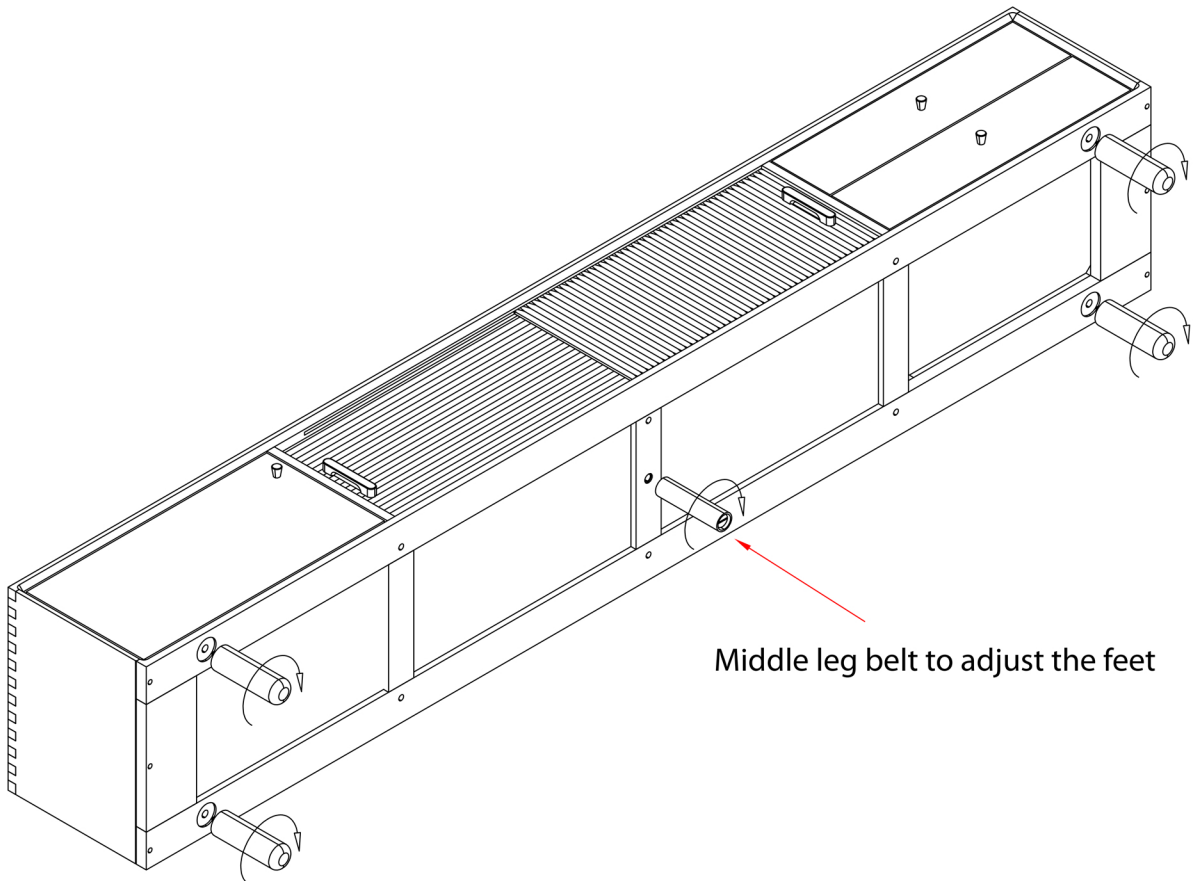
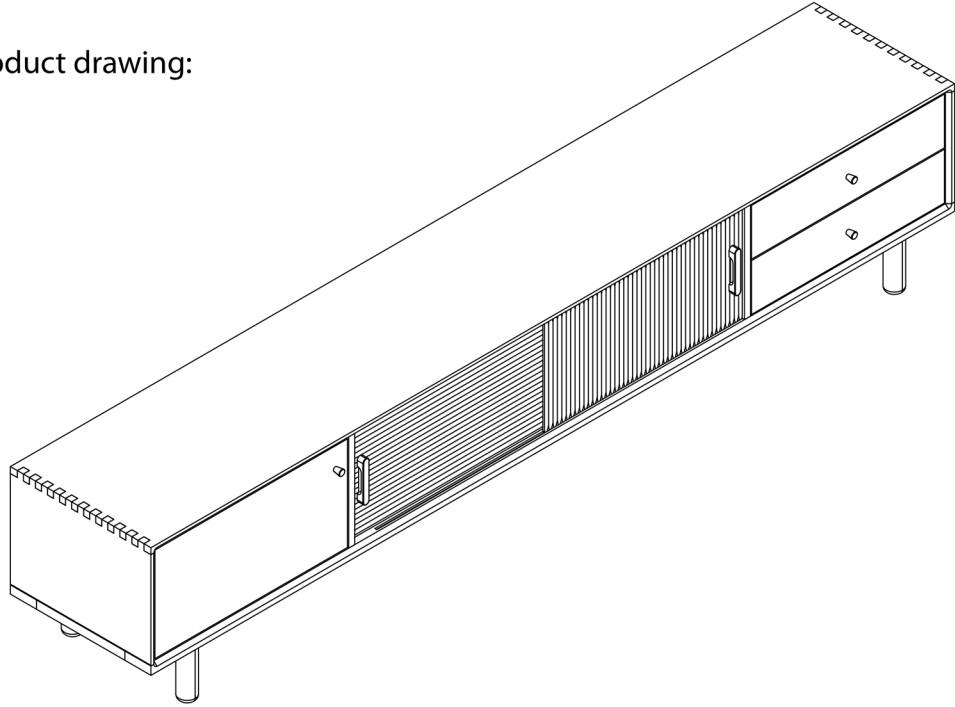


Assembly Instructions

Finished product drawing:



Middle leg belt to adjust the feet