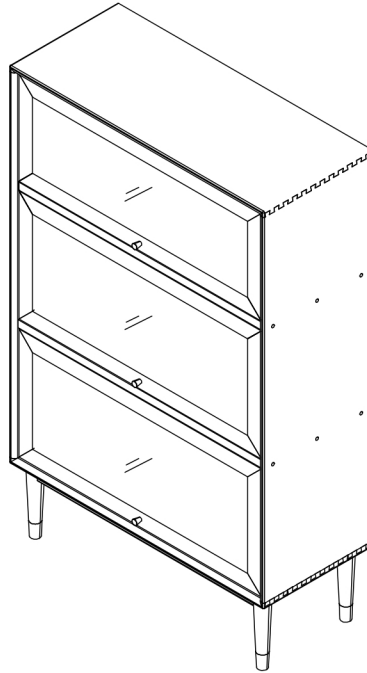
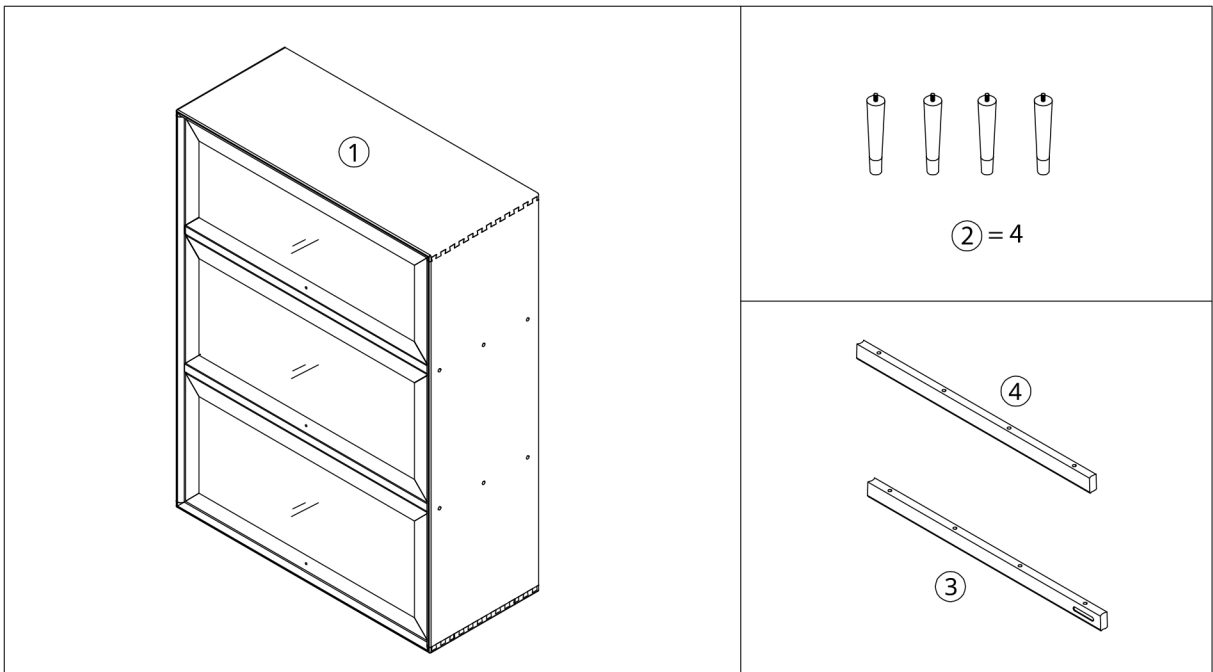


# Assembly Instructions




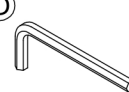


Finished product picture:



Parts list:

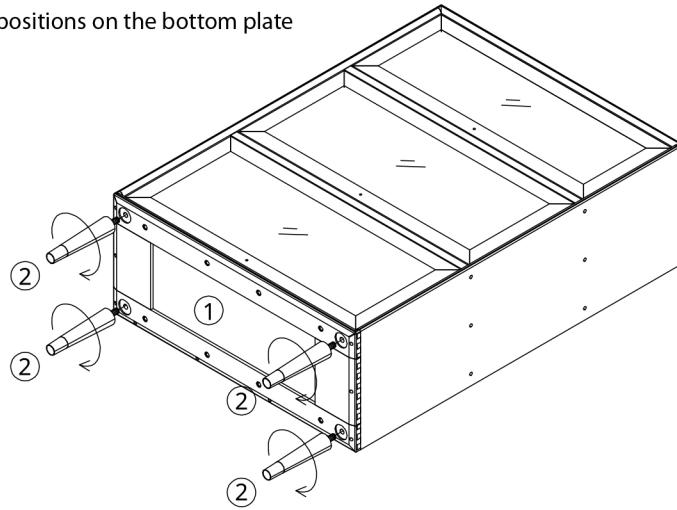


Hardware list:

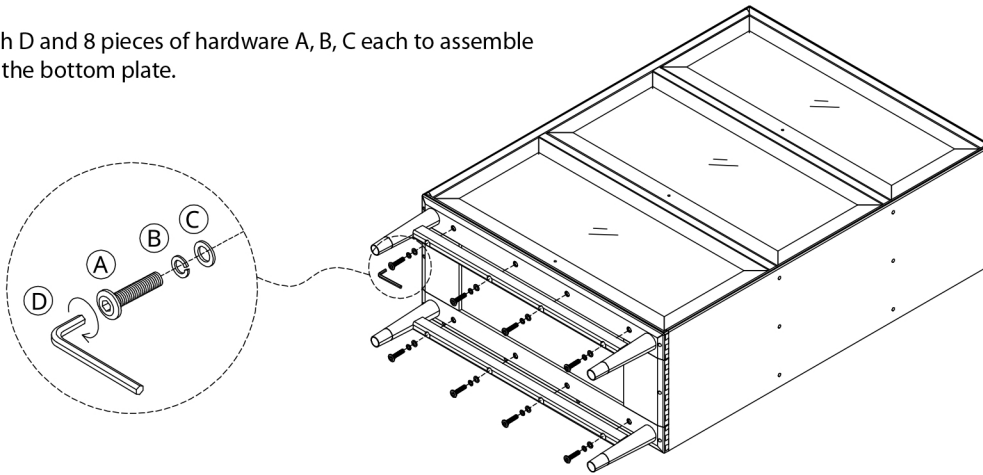
					
M6*30=8	M6=8	M6=8	4# hex wrench=1	handle∅15*17=3	M4*25=3

# Assembly Instructions

Step 1: Put the legs into the corresponding positions on the bottom plate



Step 2: Use wrench D and 8 pieces of hardware A, B, C each to assemble the skirt board to the bottom plate.



Step 3: Assemble with Phillips screwdriver. Follow assembly according to the selected handle style.

Anti-fall hardware installation instructions are attached behind the back panel

