

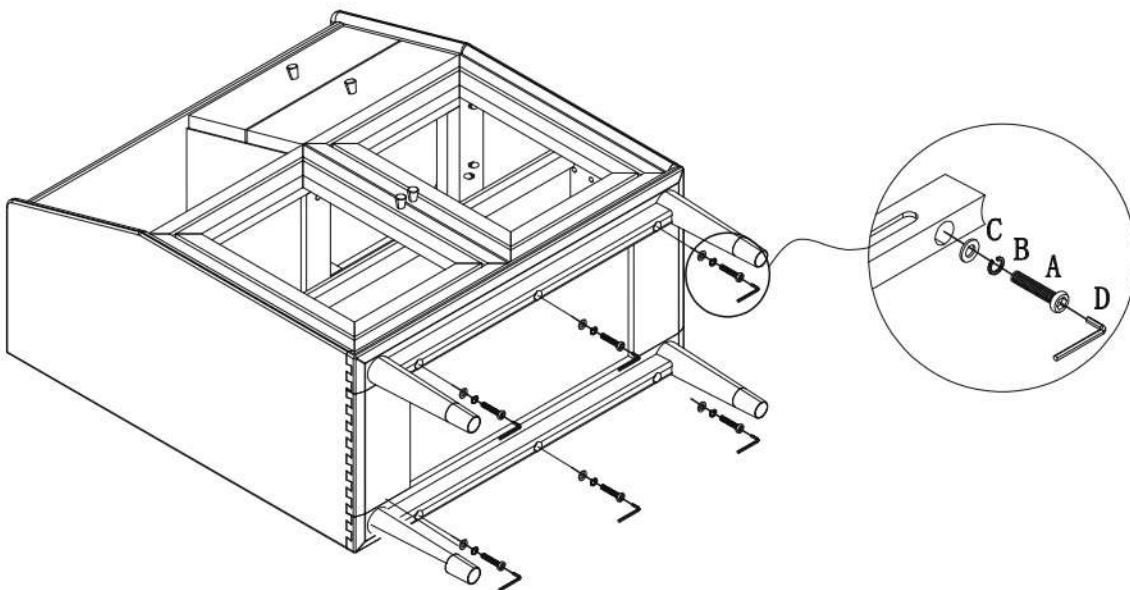
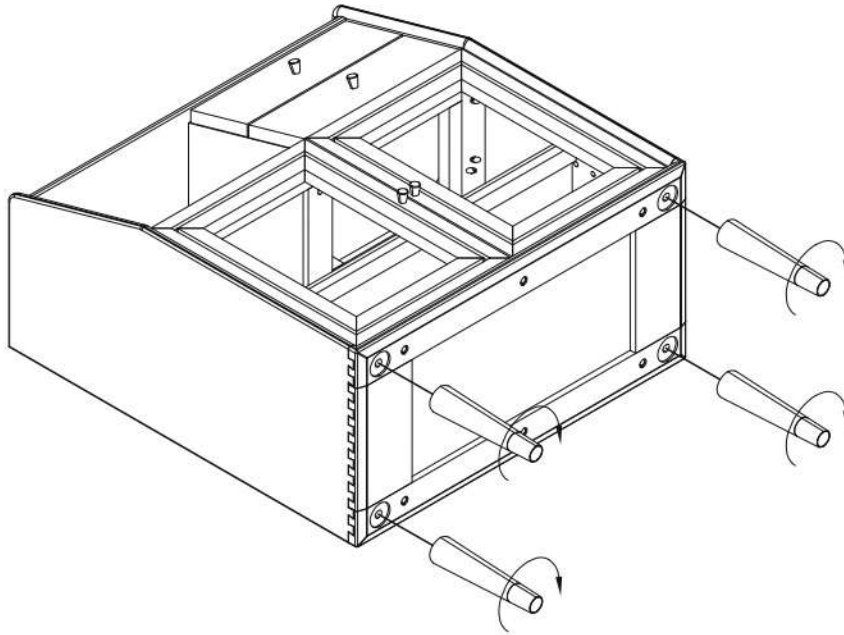
Installation manual

Product model: F20052





Version number: A

1/1

Finished product drawing:



Hardware Details

			
M6*35 X 6	M6 Split lock washer X 6	M6 Flat washer X 6	L-shaped Hex Key M4 X1