

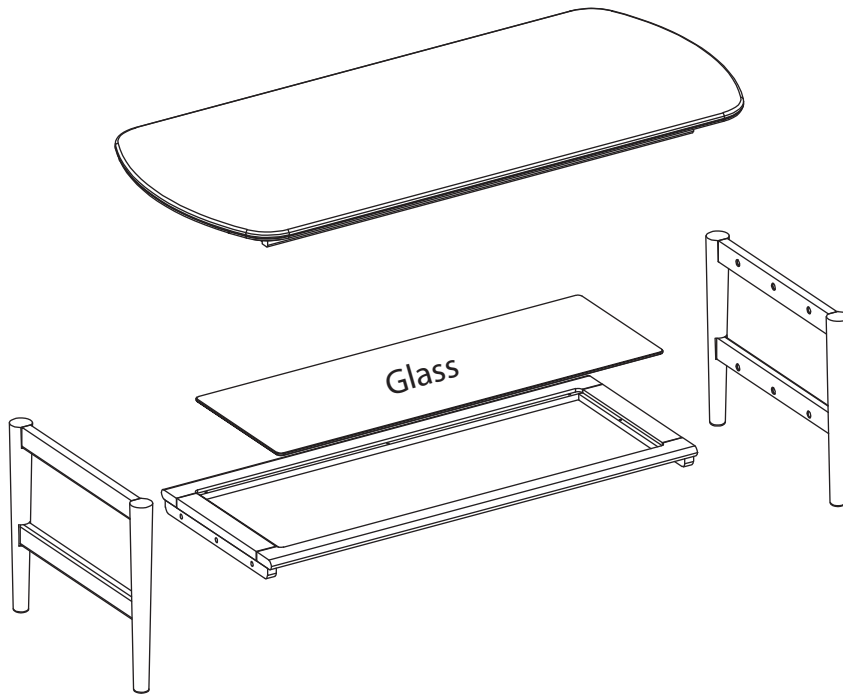
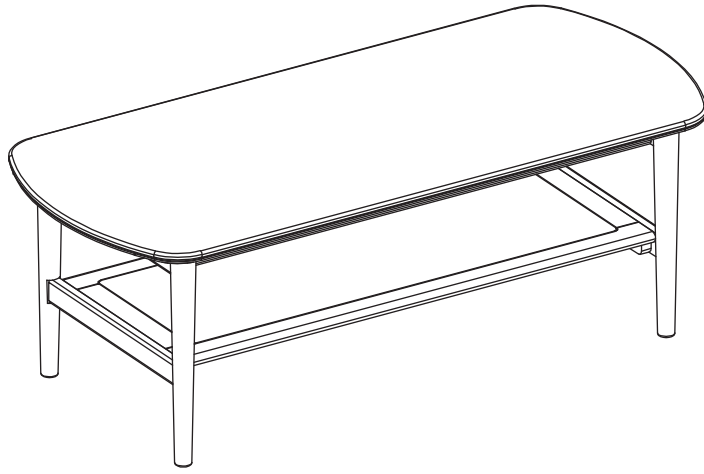
Assembly Instructions

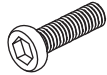



Product model: W20043-1

Product name: Simple Coffee Table

Version number: A

1/1



A 	B 	C 	D 
M8*30=12	M8 Split lock washer=12	M8 Flat washer=12	L-shaped Hex Key 5#=1

Assembly Instructions

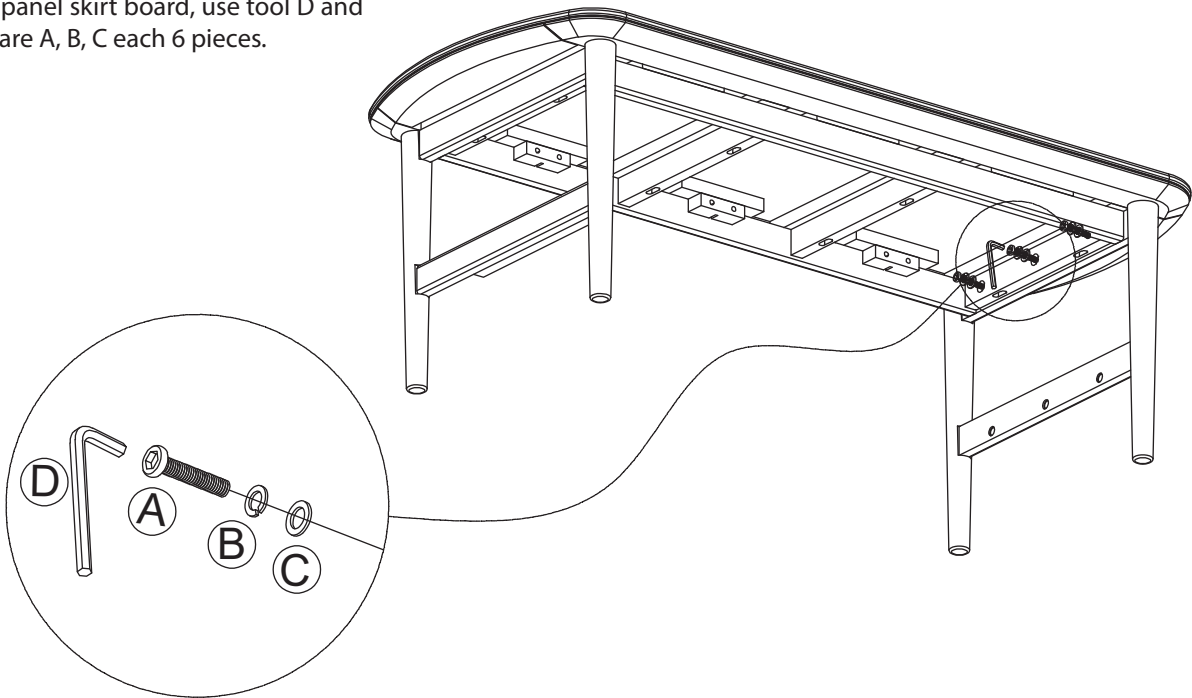
Product model: W20043-1

Product name: Simple Coffee Table

Version number: A

2/2

Step 1: Assemble the left and right legs to the panel skirt board, use tool D and hardware A, B, C each 6 pieces.



Step 2: Assemble the bottom frame and legs together, use tool D and hardware A, B, C 6 each, then lay the coffee table flat, put the glass partition is lightly placed in the groove of the bottom frame, and the assembly is complete.

