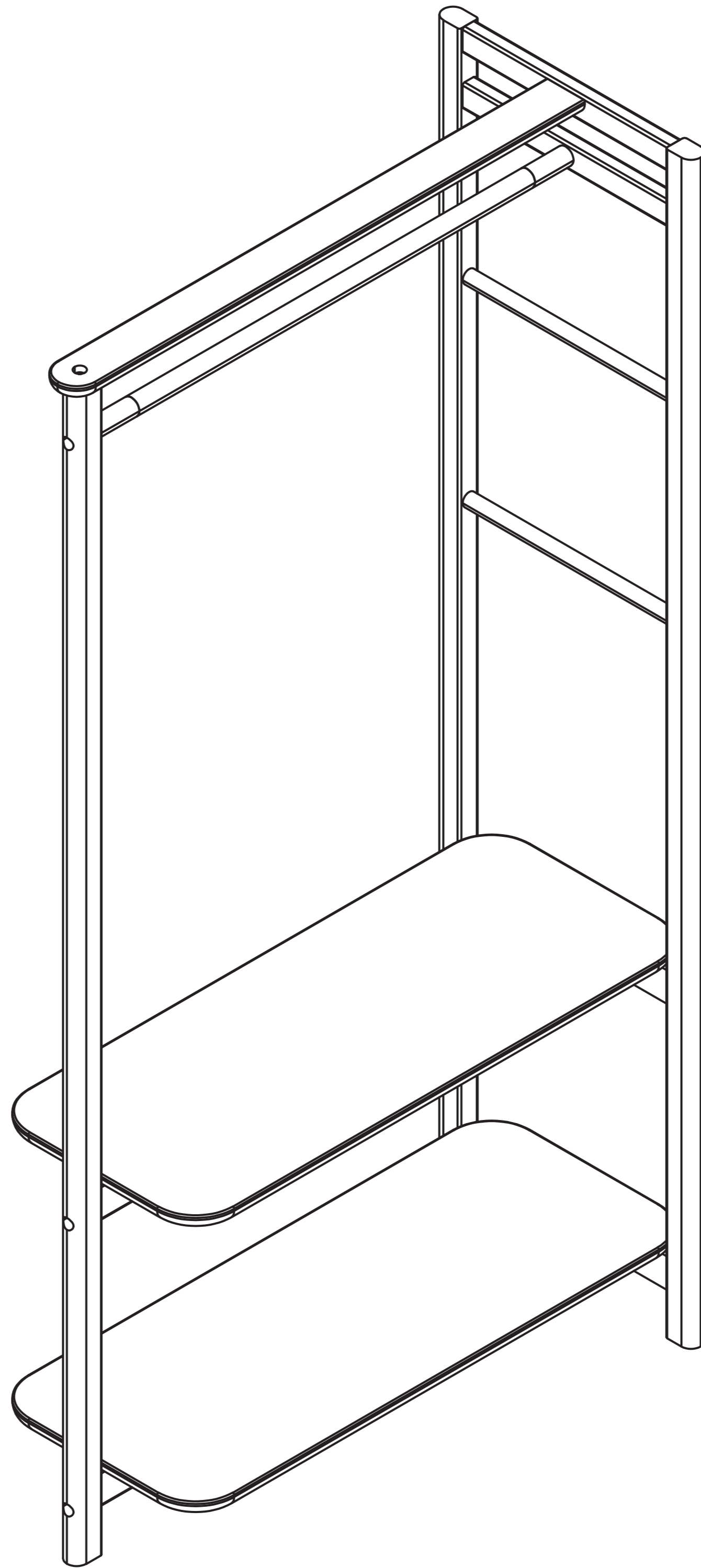
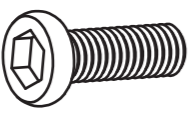
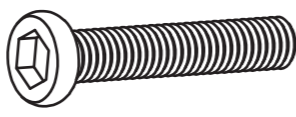



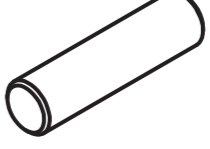


Assembly Instructions

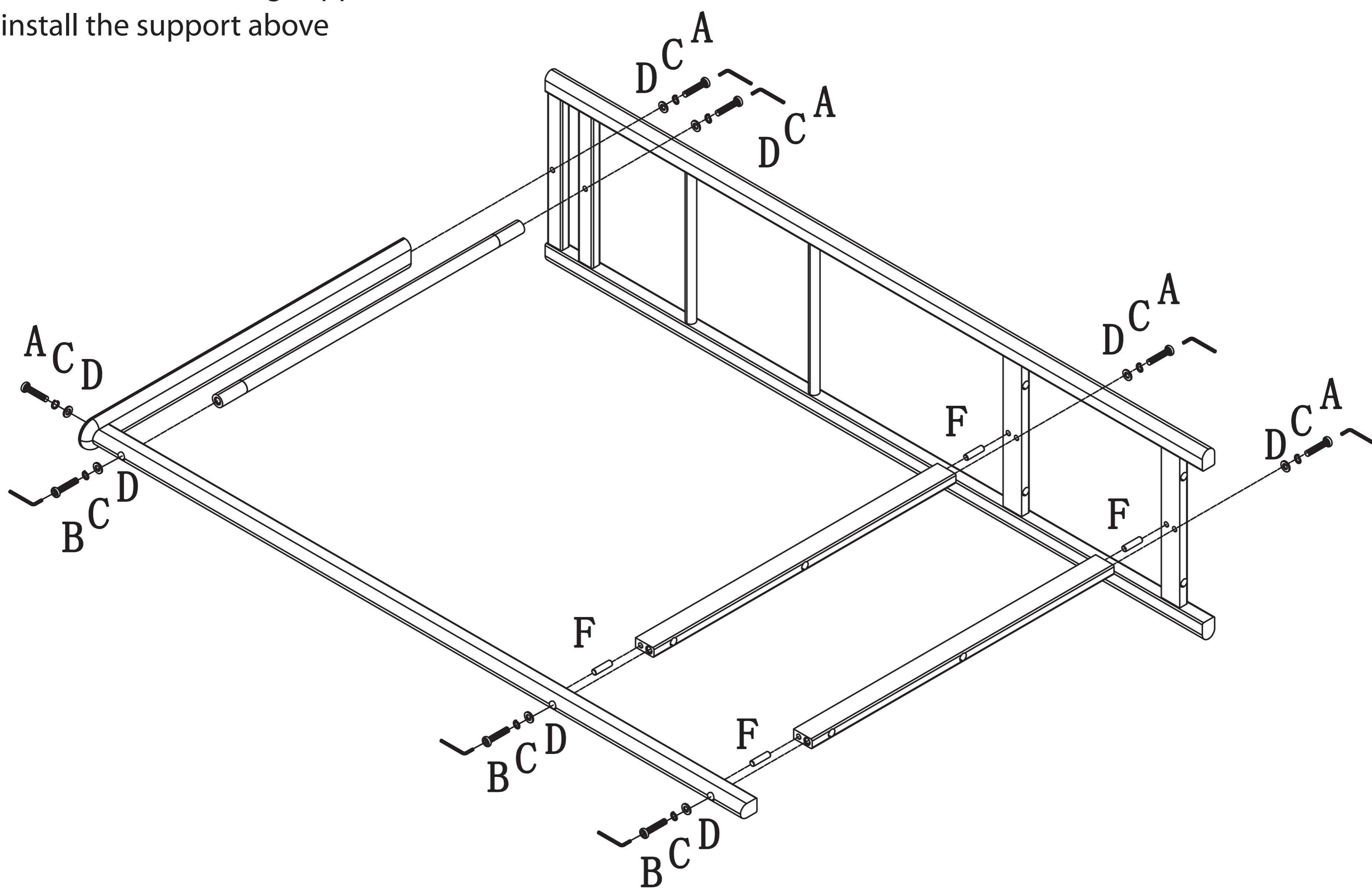
Product Name: C0188 T-Shaped Hanger



Hardware Details:

A 	B 	C 	D 	E 	F 
M8*25 x 5	M8*35 x 11	Split lock washer x 16	Flat washer x 16	L-shaped Hex Key M5X1	Wooden stick 10*30x4

Step 1: Install the following supports from both sides,
Then install the support above



Step 2: Fix the laminate from below

