

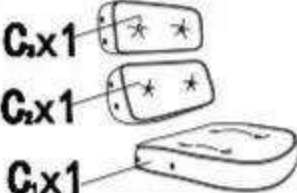
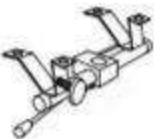

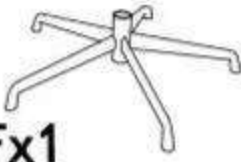



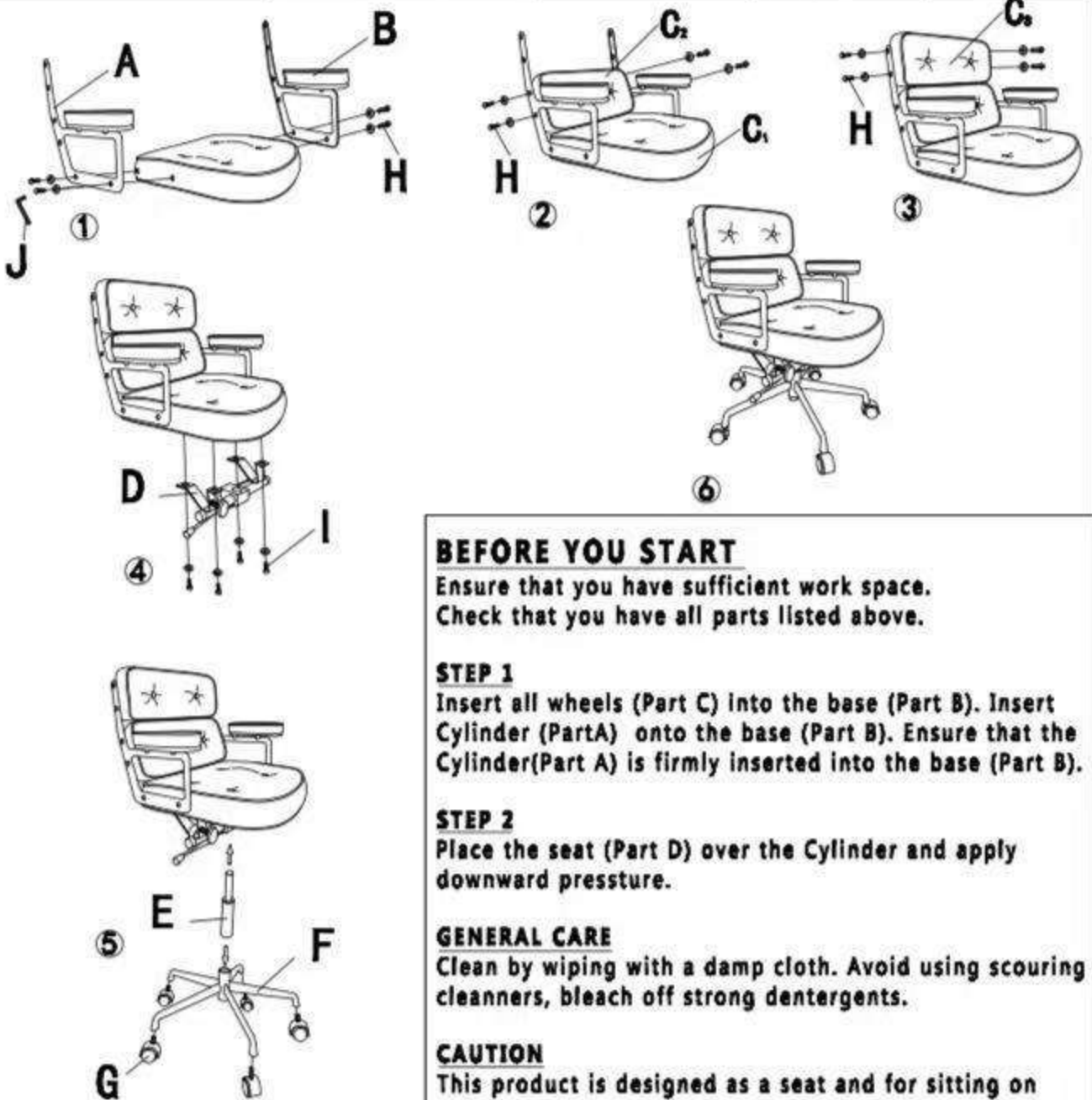


OUTMASTER ASSEMBLY INSTRUCTION

 Ax1	 Bx1	 Cx1 Cx1 Cx1	 Dx1	
 Ex1	 Fx1	 Gx4	 Hx8 Ix8	 Jx8



BEFORE YOU START

Ensure that you have sufficient work space.
Check that you have all parts listed above.

STEP 1

Insert all wheels (Part C) into the base (Part B). Insert Cylinder (Part A) onto the base (Part B). Ensure that the Cylinder (Part A) is firmly inserted into the base (Part B).

STEP 2

Place the seat (Part D) over the Cylinder and apply downward pressure.

GENERAL CARE

Clean by wiping with a damp cloth. Avoid using scouring cleaners, bleach or strong detergents.

CAUTION

This product is designed as a seat and for sitting on only.
DO NOT STAND ON THE STOOL IN ANY CIRCUMSTANCE.