

IMPORTANT SAFETY INFORMATION

 Please follow the safety instructions when operating & installing this product.

- Store this document in a safe place for future reference.
- Inspect all items before installation. We recommend that you retain all packaging until the installation has been completed. If damage has occurred or there are clear defects visible, do not proceed with the installation. Installing the product indicates acceptance of its condition. As such, any damage or defect claims will be voided upon installation.
- IMPORTANT: Your product warranty will be void if the installation is not in accordance with the instructions and relevant electrical codes and regulations.
- The installation including concealed and hard wired connections must only be carried out by a qualified person, in accordance with the with the manufacturer's instructions, and must be connected in accordance with all applicable electrical regulations.
- Installer must ensure that the voltage complies with the specification on the rating label.
- This product is IP55 rated for added safety. Installer must follow regulations on installation zone.
- This appliance surface will become hot to touch when in use. Maximum temperature is 55°C in a room with ambient temperature of 25°C. The appliance may take up to 15mins to reach the maximum heat.
- The appliance surface will feel hotter to touch during warmer periods because of the rise in ambient temperature. The insulation effect of towels will also cause the temperature to increase slightly.
- This appliance is not intended for use by persons (including children) with reduced physical, sensory or mental capabilities, or lack of experience and knowledge, unless they have been given supervision or instruction concerning use of the appliance by a person responsible for their safety.
- This appliance is designed for domestic household use, and for indoor use only.
- This appliance is intended for warming and drying towels, do not use it for any other purpose.
- To avoid danger, this product must not be used to carry towels or any other articles that have been in contact with oil, petroleum based products or dry cleaning fluids.
- DO NOT immerse in any liquid.
- DO NOT allow the power cable to come into contact with the hot surface when it is in operation.
- DO NOT disconnect the appliance with wet hands or force the supply cord.
- WARNING: The bottom rail of this product MUST be installed at least 600mm above the floor and in accordance to relevant building codes and regulations.
- If the product does not work well or is damaged, do not operate. It must be repaired or replaced by the manufacturer, it's service agent or similarly qualified persons.

USER & INSTALLATION INFORMATION

REGULAR CLEANING

- Surfaces should be cleaned when the appliance is not in operation and has cooled down.
- For regular cleaning use a dry microfiber cloth. For a deeper clean, use a soft cloth dampened with warm soapy water, ensuring the cloth is clean and well wrung out. Follow with a dry soft cloth to remove any excess moisture left after deep cleaning.
- Some household detergents and cleaning products contain harsh chemicals and abrasives that can damage the finish. External surfaces of the appliance are susceptible to scratches and abrasions. Do not use abrasive scouring sponges or brushes. Damages caused by improper care will not be covered under manufacturers warranty.




Installation of this appliance must only be undertaken by a licensed electrician.

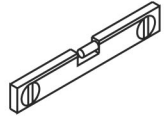


This document contains important information including safety, operational & installation information, these instructions must be read before attempting installation and use.

INSTALLATION FOR CONCEALED WIRING

 Installation and all electrical work must be carried out by a qualified electrician.

Read all of the IMPORTANT SAFETY INFORMATION before commencing the installation.
Below are tools required for this installation.



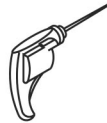
SPIRIT LEVEL



PENCIL

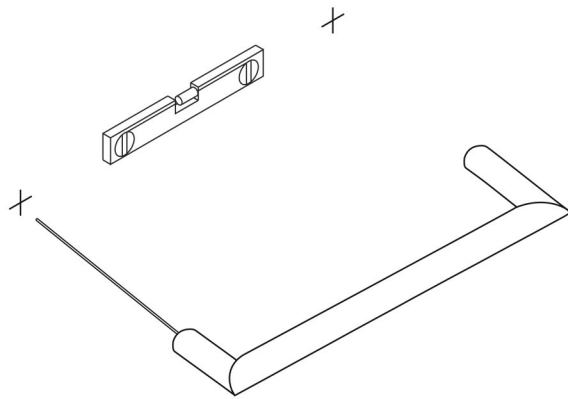


TAPE MEASURE

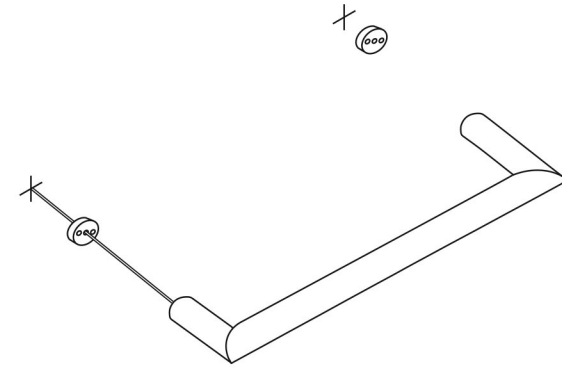


DRILL

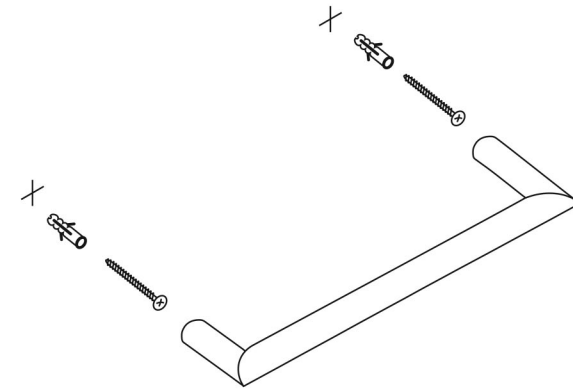
- 1 Mark the mounting holes according to the dimensions of the rails. Ensure that you also allow for the hardwired connection within the wall at the mounting point that the cable will be drawn from.



- 2 Feed the cable from the rail through the hole in the fixing base (provided), then through the hole in the wall for connection.



- 3 Mount the two fixing bases to the wall by first inserting the plastic expanders (provided) and then securing them with the ST6×70 mounting screws (provided).



- 4 Slide the ends of the rails over the fixing bases and tighten the M5×8 mounting screws (provided) on the underside using the M2.5 Allen key (provided).

