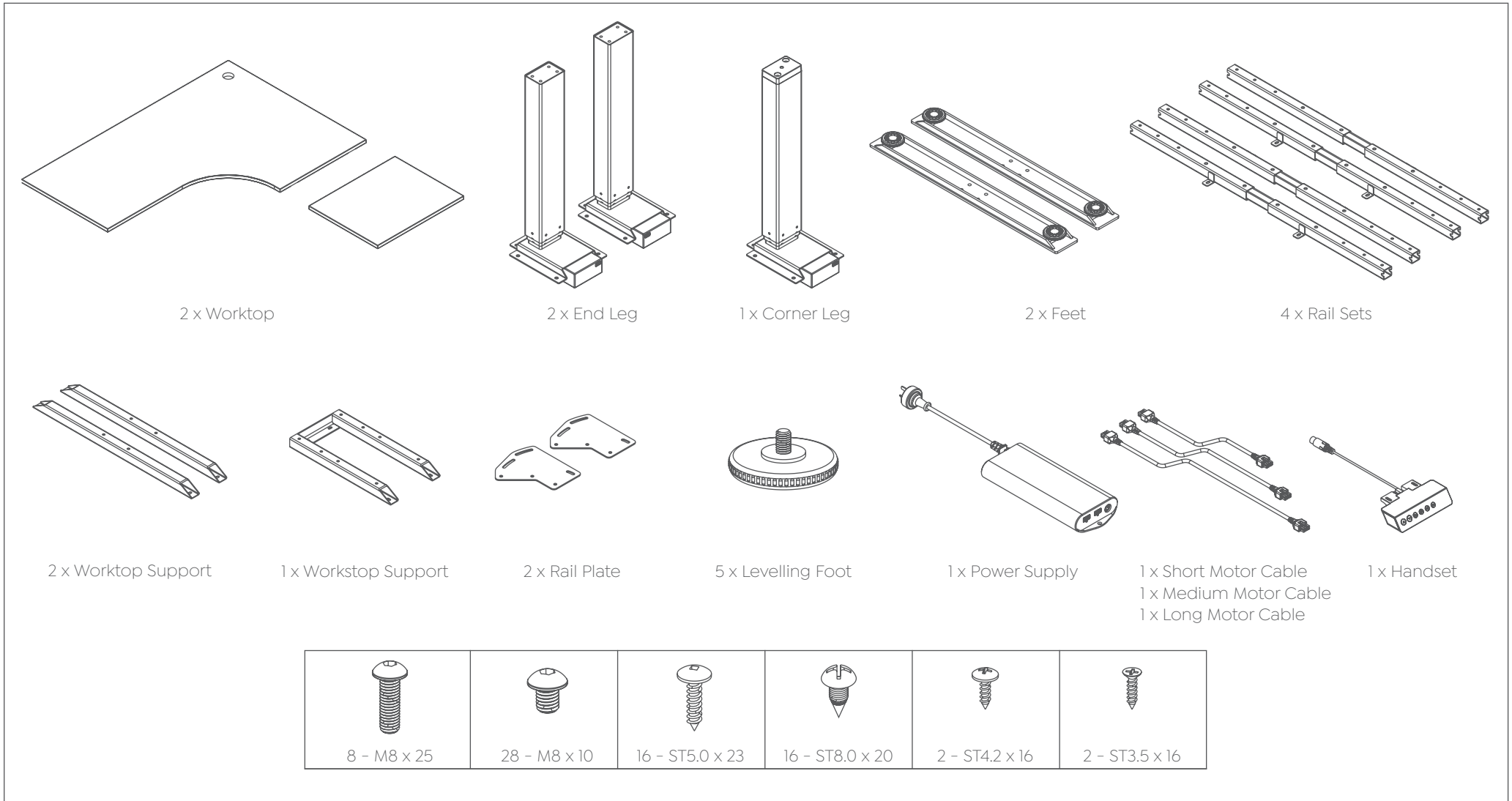
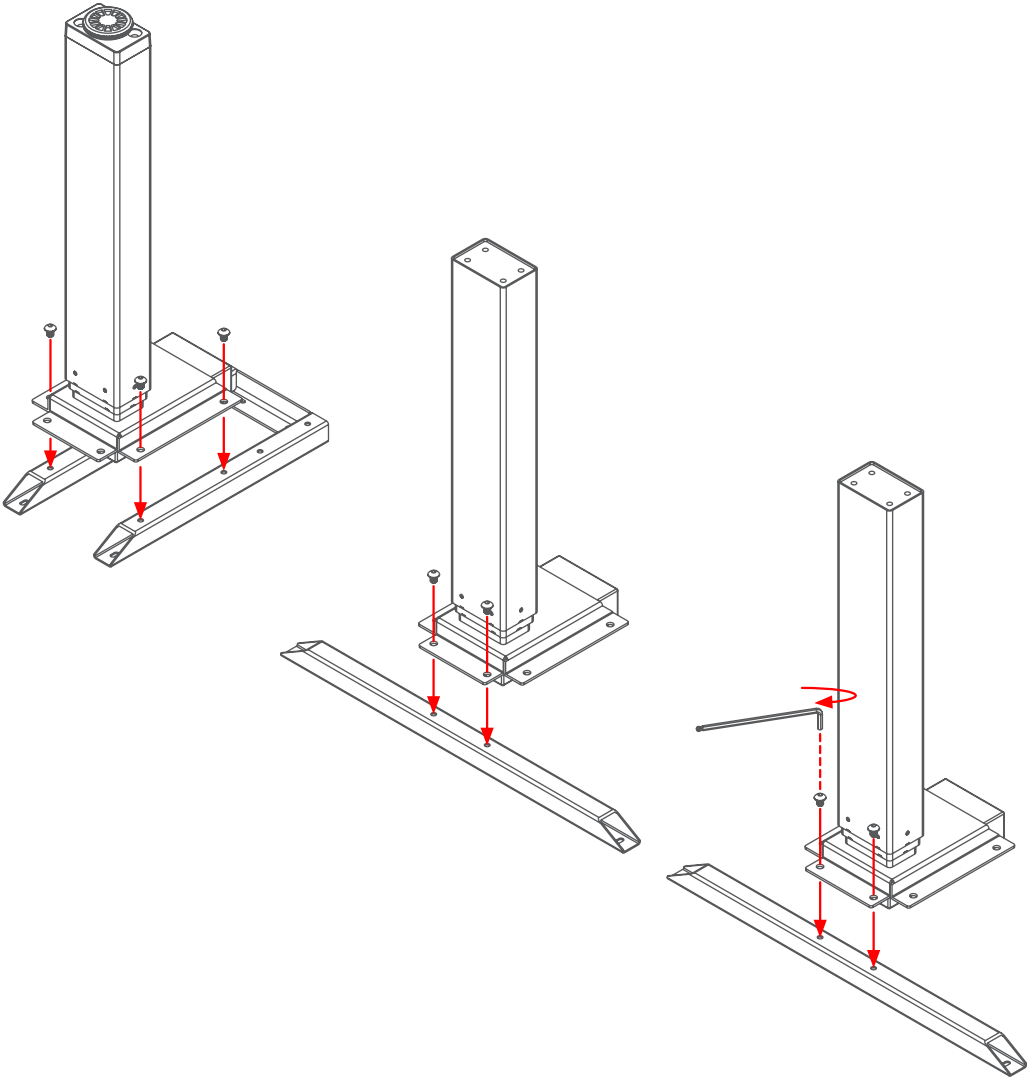
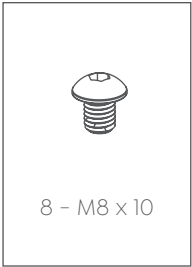


Assembly Instructions

Components



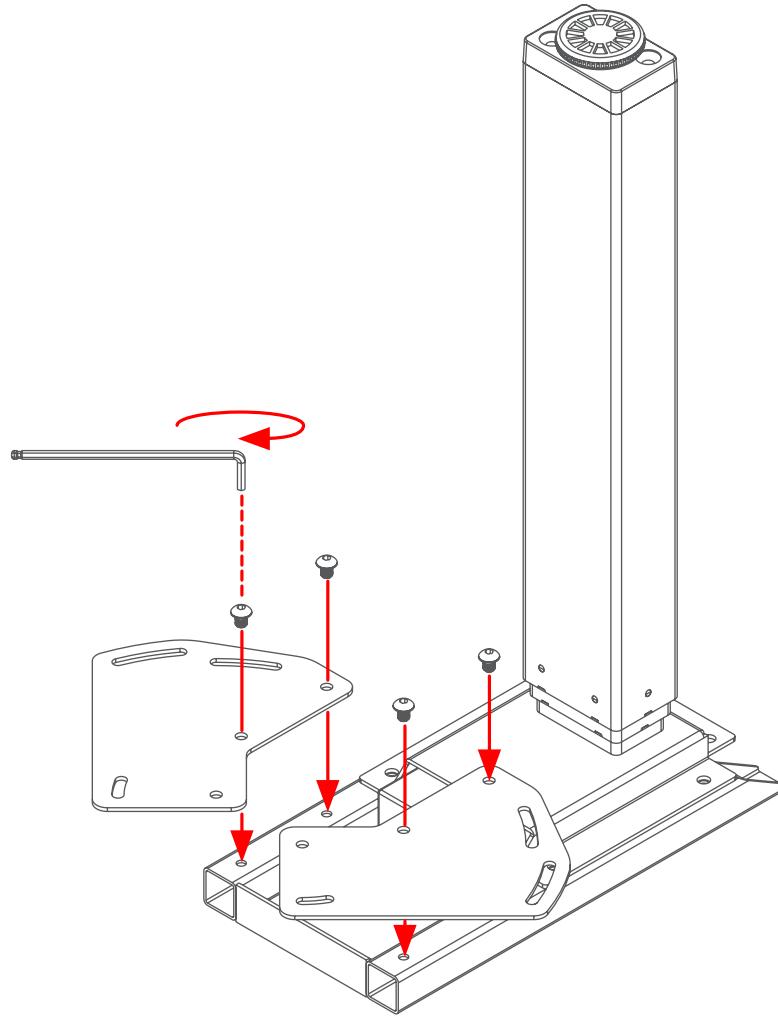
STEP 1:



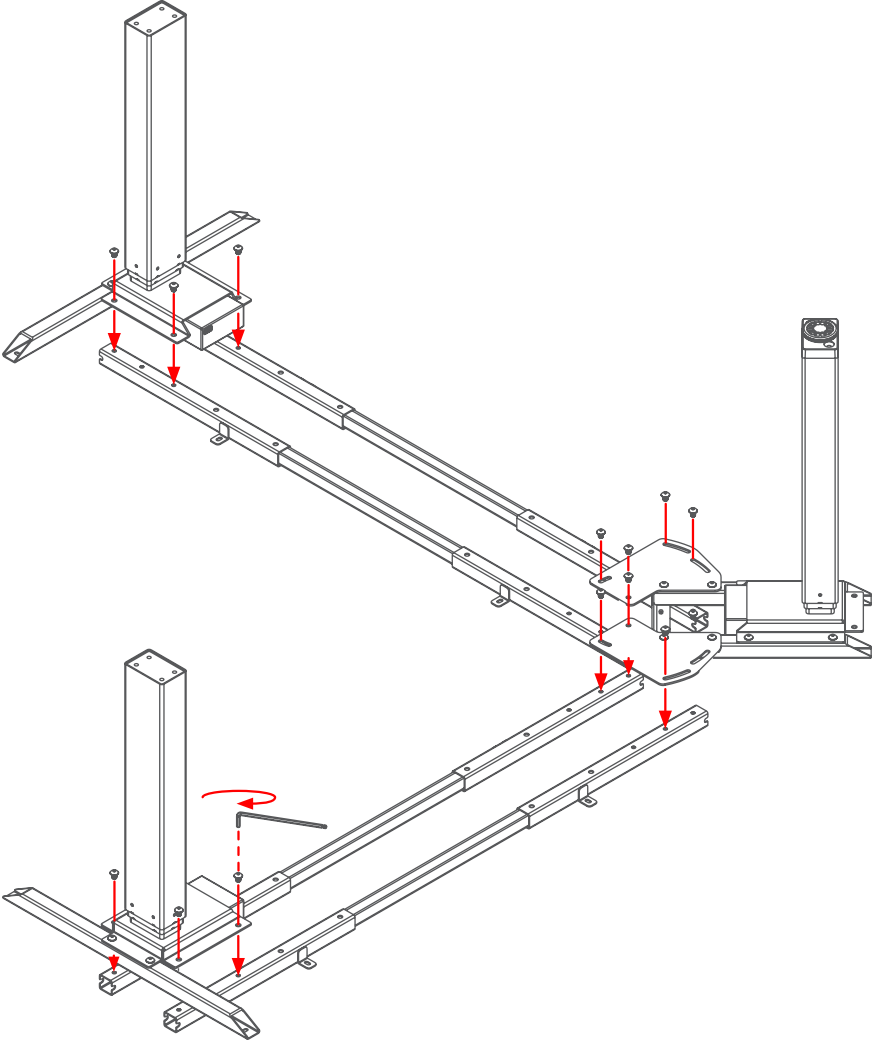
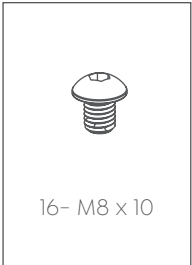
STEP 2:



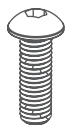
4 - M8 x 10



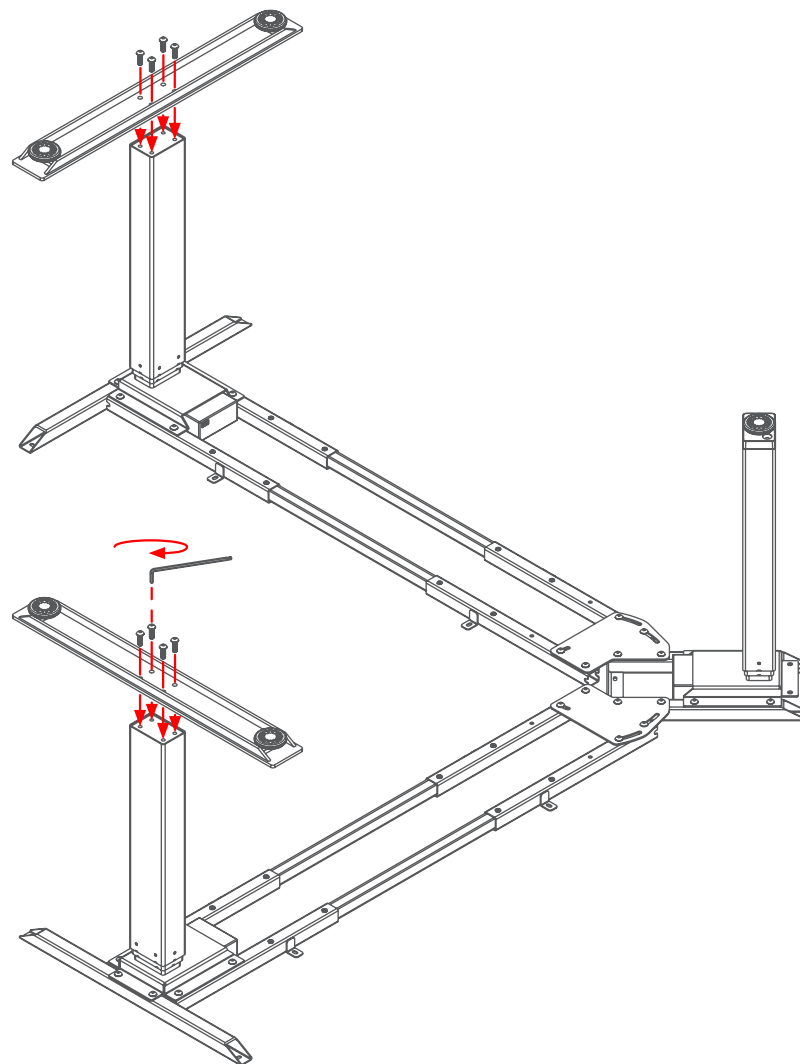
STEP 3:



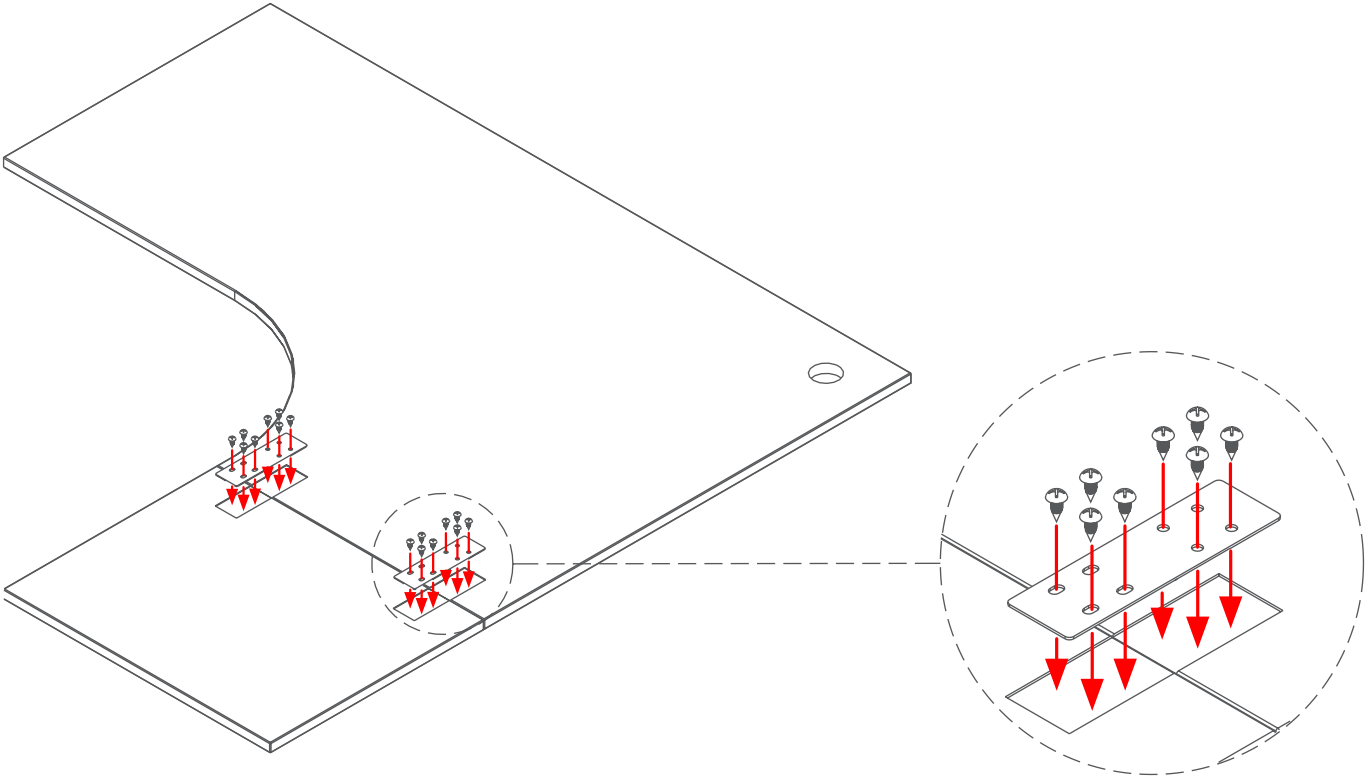
STEP 4:



8 - M8 x 25



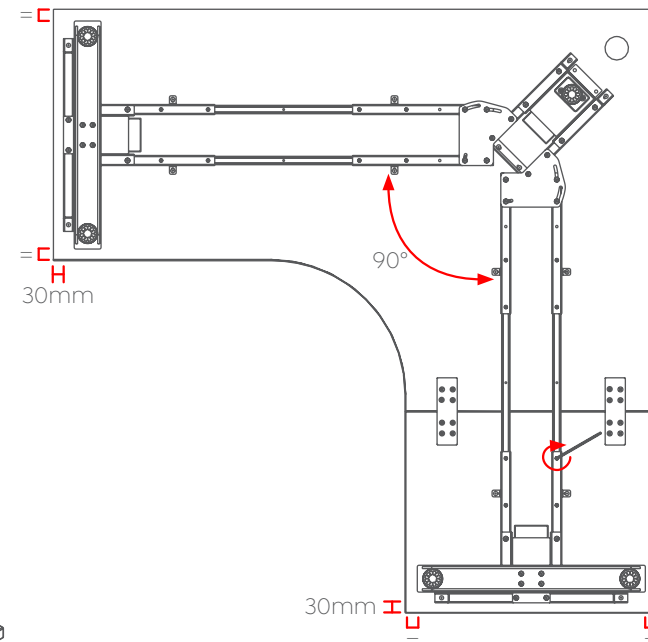
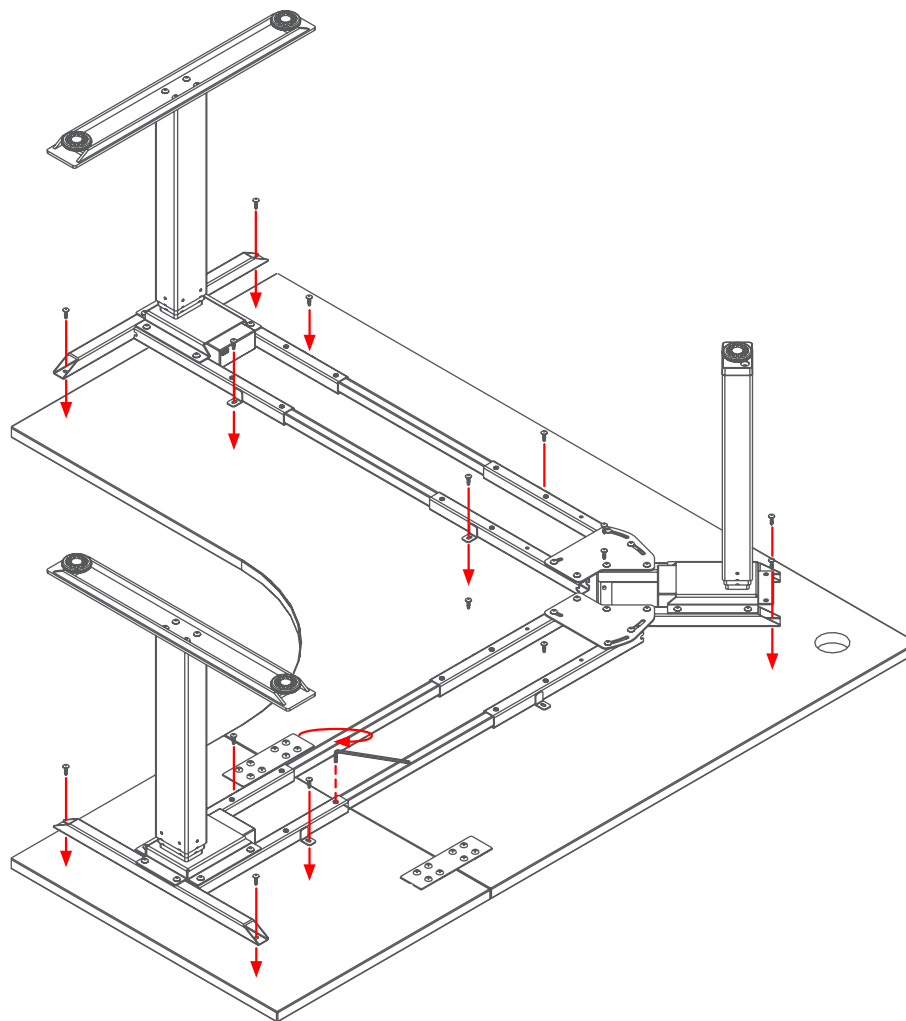
STEP 5:



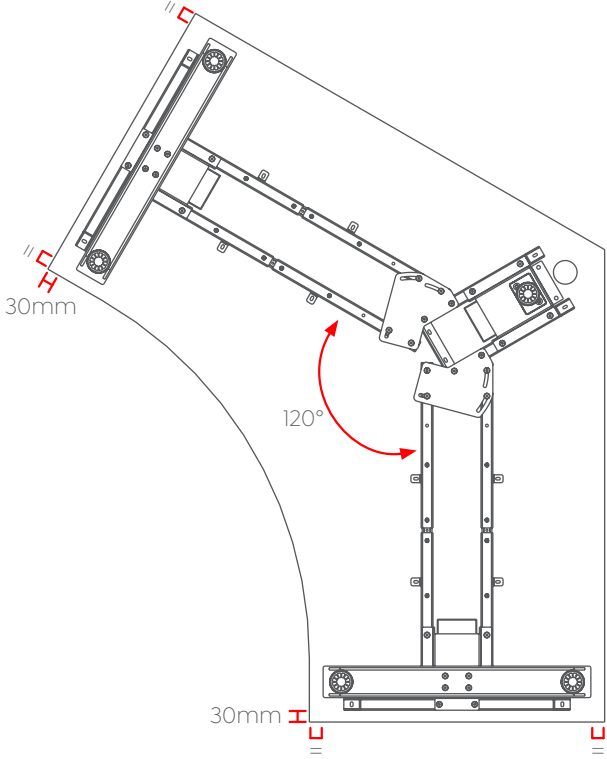
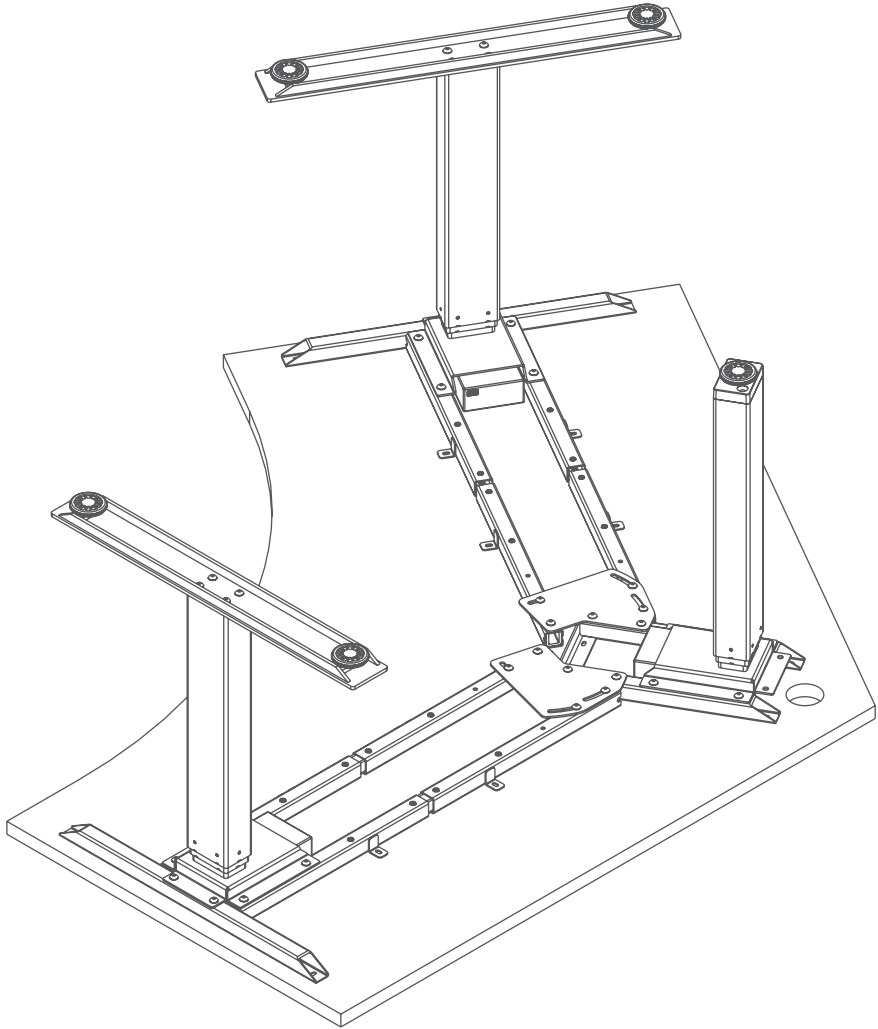
STEP 6:



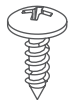
16 - ST5.0 x 23



STEP 6a:



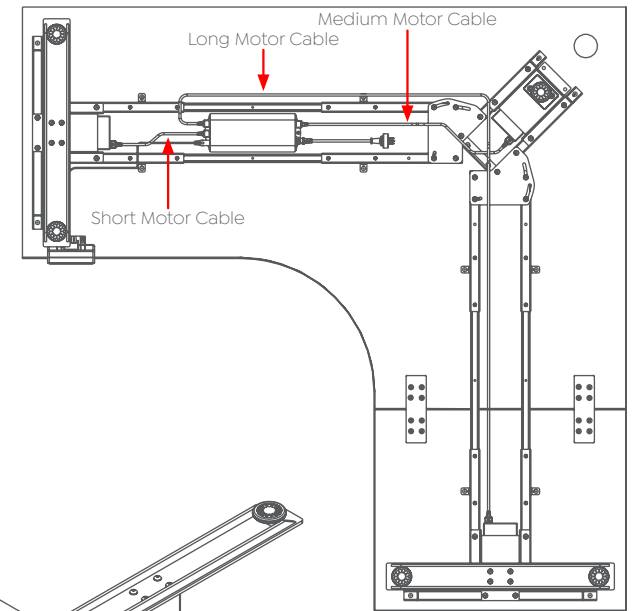
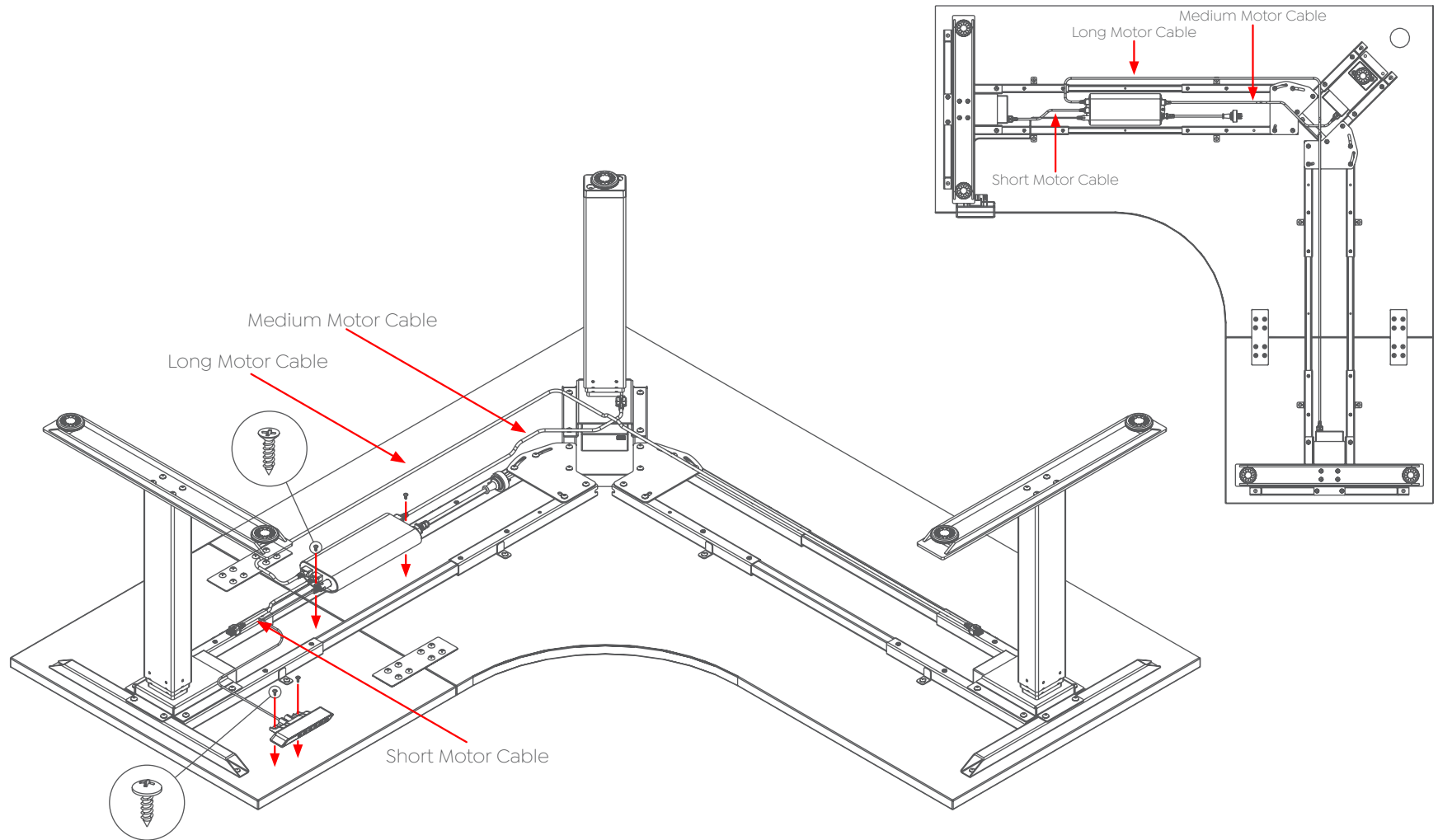
STEP 7:



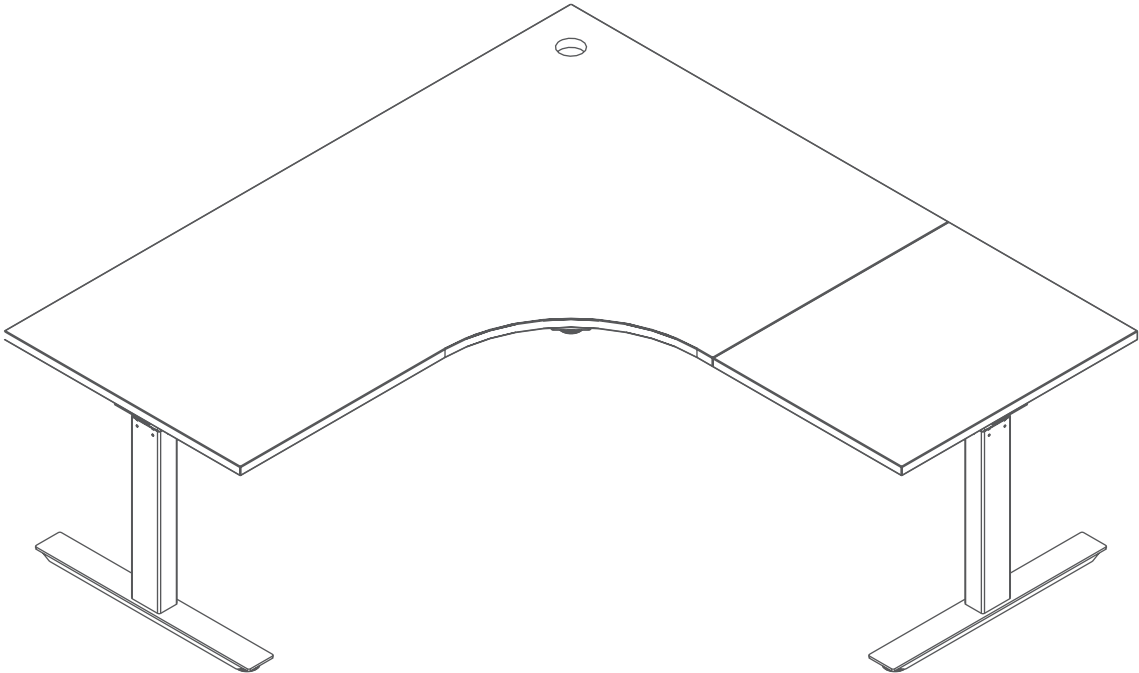
2 - ST4.2 x 16



2 - ST3.5 x 16



Complete:



Directions For Use

IMPORTANT

Please carefully read the assembly manual and direction for use prior to instalment, use and maintenance of the table frame to gain a complete understanding of its contents. It provides you with important information about the safety, use, installation and maintenance of the table.

WARNING: FAILURE TO COMPLY WITH OR OBSERVE ALL ASSEMBLY, SAFETY AND OPERATION INSTRUCTIONS REGARDING THE USE OF THIS PRODUCT MAY RESULT IN SERIOUS BODILY INJURY.

SAFETY

- The table must be used in a safe manner. Inappropriate use may cause damage to the table and/or cause bodily harm to the user or persons nearby.
- Do not tamper with electrical components as this may lead to serious bodily harm.
- Only connect the electric table frames to the prescribed mains power voltage
- Do not use the table frame to lift people. •Please retain this operation manual and pass it on to any future owner.

USAGE

- The height-adjustable table is designed for use in dry work environments only.
- The table height is infinitely adjustable within its height range so that it can be set to the user's most ergonomic working height. The user should seek professional help to establish their optimum working height.
- The table has been designed as a devise to elevate the users work surface and associated office peripherals. Do not use the table frame for any other purposes than that which it has been designed for. Any other use is at user's own risk!
- Do not crawl, lie or move around under the table frame, and do not sit or stand on the table frame.
- CHILDREN should only use the table when supervised by adults.
- Liability: The manufacturer accepts under no circumstances warranty claims or liability claims for damages arising from improper use or handling of the table frame other than that described in this operation manual.

SET-UP AND INSTALLATION

Assemble the table frame according to the assembly instructions on pages 3 - 9.

- Place the table in a safe distance from window frames, radiators, furniture etc. so that persons cannot become trapped. •Level the table with the adjustable feet ensuring that the table is stable.
- Check that no cables can get jammed.
- Connect the table to the 110 or 230 VAC power outlet.

The table is now ready for use.

MAINTENANCE

- The table does not require any maintenance by the user
- The table is only to be cleaned with a wrung cloth.

TECHNICAL DATA

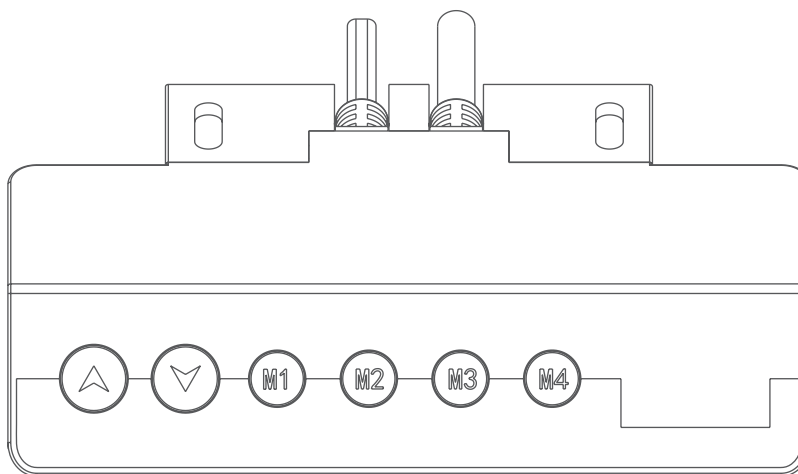
Height Range: 635-1290mm including worktop

Speed: ~30mm/s

Input Voltage: 90-230V AC 50-60Hz, 300VA

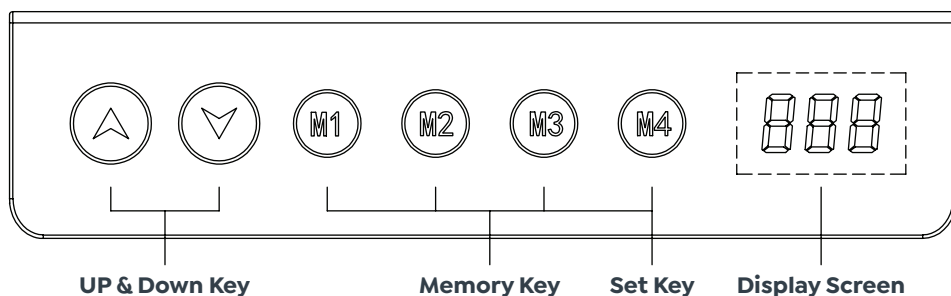
Output Voltage: 24V DC Max.10A

Duty Cycle: 10% max. 2min on/18min off



- LCD Screen
- M4 memory key.
Adjust using ▲▼ keys. Press M4 for 5s to remember position
- M3 memory key.
Adjust using ▲▼ keys. Press M3 for 5s to remember position
- M2 memory key.
Adjust using ▲▼ keys. Press M2 for 5s to remember position
- M1 memory key.
Adjust height using ▲▼ keys. Press M1 for 5s to remember position.
- Down key.
Press to move down. Release when desired position is reached
- Up key.
Press to move up. Release when desired position is reached.

Directions For Use



To use the handset, press either the **UP** or **DOWN** keys and the display screen will light up to confirm the handset is ready for use. If there is no button pressed within 30 seconds, the screen turns off and the M1/M2/M3/M4 keys are disabled accordingly.

■ DISPLAY SCREEN

Displays the height of the desk.

■ UP & DOWN KEYS

Please the **Up/Down** key to adjust desk height until you get an optimum height.

■ MEMORY KEYS M1/M2/M3/M4

Raise or lower the desk to the desired height and hold one of the M1/M2/M3/M4 keys for around 5 seconds, until the “beep”, and the height will be successfully saved.

When the desk is ready for use, press M1/M2/M3/M4 and the desk will move to the saved height automatically.

■ LOCKING THE HANDSET

To lock the handset, when the handset is ready for use, press both the “UP” and M4 keys for around 5 seconds until the display shows “LOC”. To unlock the desk, when the handset is ready for use, press both the “DOWN” and M4 keys for around 5 seconds until the display returns to the height number.

■ RESETTING THE DESK

1. When “RST” is on the display screen, press the “DOWN” button until the desk frame reaches its lowest point. After desk frame rebounds slightly, you will hear a “beep” and the desk will be reset.(The button cannot be released during this operation, otherwise the reset will fail).

2. Forced Reset: Press the “DOWN” button until the desk frame reaches its lowest point, then release the button and press it again for about 5 seconds until desk frame rebounds you hear a “beep”.

3. Restore the factory settings: When new controller is changed, or the settings need to be restored to the factory defaults, press the “UP” and “DOWN” buttons simultaneously, you will hear the first beep after about 5 seconds and a second “beep” after 10 seconds. Once the display screen shows “RST”, complete a ‘Forced Reset’.

■ ANTI-COLLISION

When the desktop is raising or lowering, if it encounters resistance the desk will rebound and show “E05”. Wait for the height number to return and check for any obstacles.

■ HANDSET SHOWS ERROR CODE AND SOLUTION

Error Code	Fault Cause	Solution
E0	Power Fault	Power off for 30 seconds and restart
E2	Handset fault	Unplug & replug the cable of hand set & reset the desk
E4	Anticollision Alert	Rebound reminder, check for obstacles and reset
E5	Desktop sloping	Reset the desk
E8	Connection cable failure	Check the connecting cable between motor and control box
E11, E21	Controller fault	Exchange the Controller
E12, E22	Motor Fault	Change Motor
E14-E17, E24-E27	Overloading	Reduce the Loading
E18, E28	Overtime Operation	Automatic recovery after 20 minutes
HOT	Reset reminder	Press the down arrow until the desk reaches it's lowest height until the numbers reappear

■ ADVANCE FUNCTION SETTINGS

Setting a Maximum and/or Minimum Height:

To set a maximum height, raise the desk to the desired maximum height (above 97) and hold both the “UP” and “DOWN” buttons for around 5 seconds until you hear a “beep”.

To remove the limited maximum height, raise the desk to the limited maximum and hold both the “UP” and “DOWN” buttons for around 5 seconds until you hear a “beep”.

To set a minimum height, lower the desk to the desired minimum height (below 96) and hold both the “UP” and “DOWN” buttons for around 5 seconds until you hear a “beep”.

To remove the limited minimum height, lower the desk to the limited minimum and hold both the “UP” and “DOWN” buttons for around 5 seconds until you hear a “beep”.

