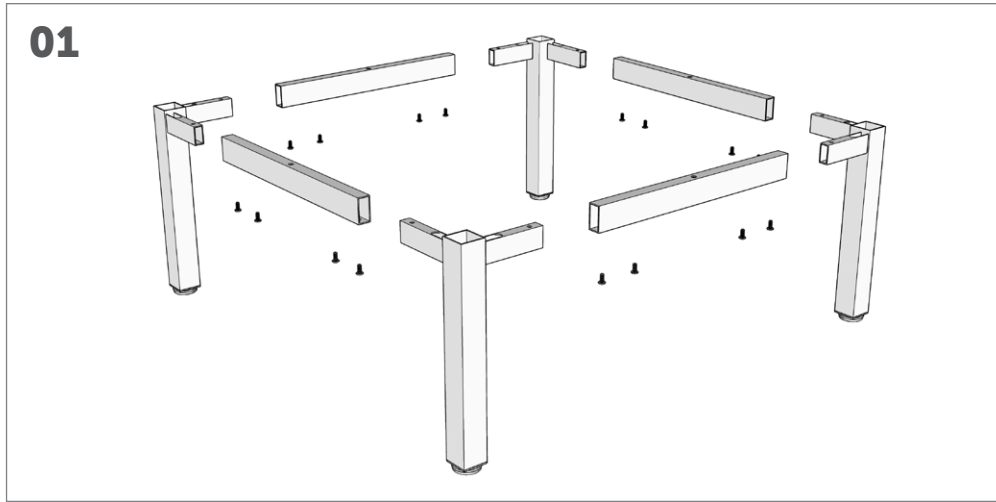


# Installation Guide

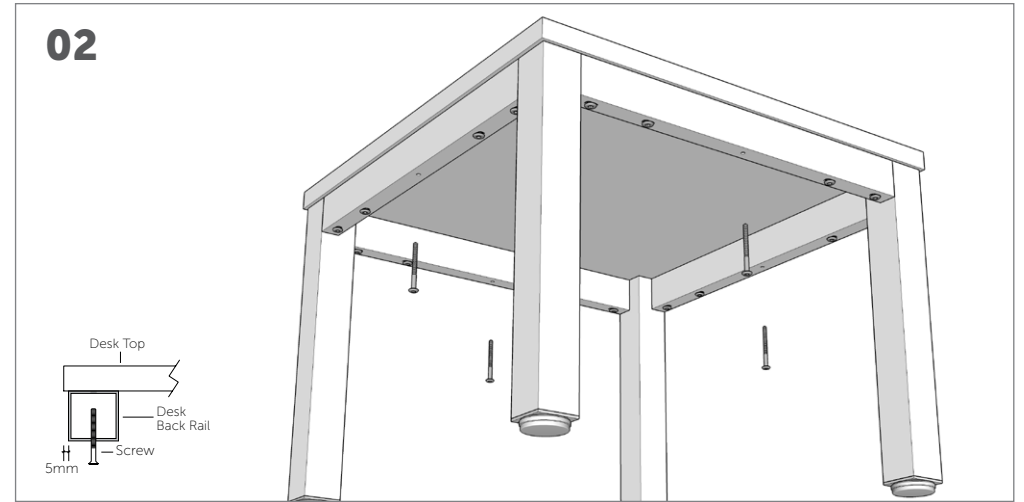
---

**TOOLS REQUIRED:** Powered screwdriver

# INSTALLATION GUIDE



Assemble frames and rails together, loosely (1 turn from tight).



Fix worksurface with 5mm overhang to frame, then fully tighten all rail to frame screws.

